



US00D523749S

(12) **United States Design Patent**
Kolanus et al.

(10) **Patent No.:** **US D523,749 S**
(45) **Date of Patent:** **** Jun. 27, 2006**

(54) **ACTUATOR**
(75) Inventors: **Günter Kolanus**, Hattersheim (DE);
Louis Anthony Massari, Surrey (GB)
(73) Assignee: **Glaxo Group Limited**, Greenford (GB)
(**) Term: **14 Years**

D312,785 S * 12/1990 Tucker D9/447
D402,890 S * 12/1998 Guillemot D9/448
D406,239 S * 3/1999 Guillemot D9/448
D406,240 S * 3/1999 Guillemot D9/448
5,915,599 A * 6/1999 Takahashi 222/402.21
D440,495 S * 4/2001 Hathaway D9/452

* cited by examiner

(21) Appl. No.: **29/219,694**
(22) Filed: **Dec. 21, 2004**

Primary Examiner—Robert M. Spear
Assistant Examiner—Susan Bennett Hattan
(74) *Attorney, Agent, or Firm*—Nora Stein; Theodore R. Furman

(51) **LOC (8) Cl.** **09-07**
(52) **U.S. Cl.** **D9/448**
(58) **Field of Classification Search** D9/728,
D9/689, 688, 686, 529, 509, 504, 502, 501,
D9/452, 448, 447, 445, 444; 222/635, 631,
222/630, 546, 402.23, 402.22, 402.11, 402.1,
222/153.1

(57) **CLAIM**

We claim the ornamental design for an actuator, as shown and described.

See application file for complete search history.

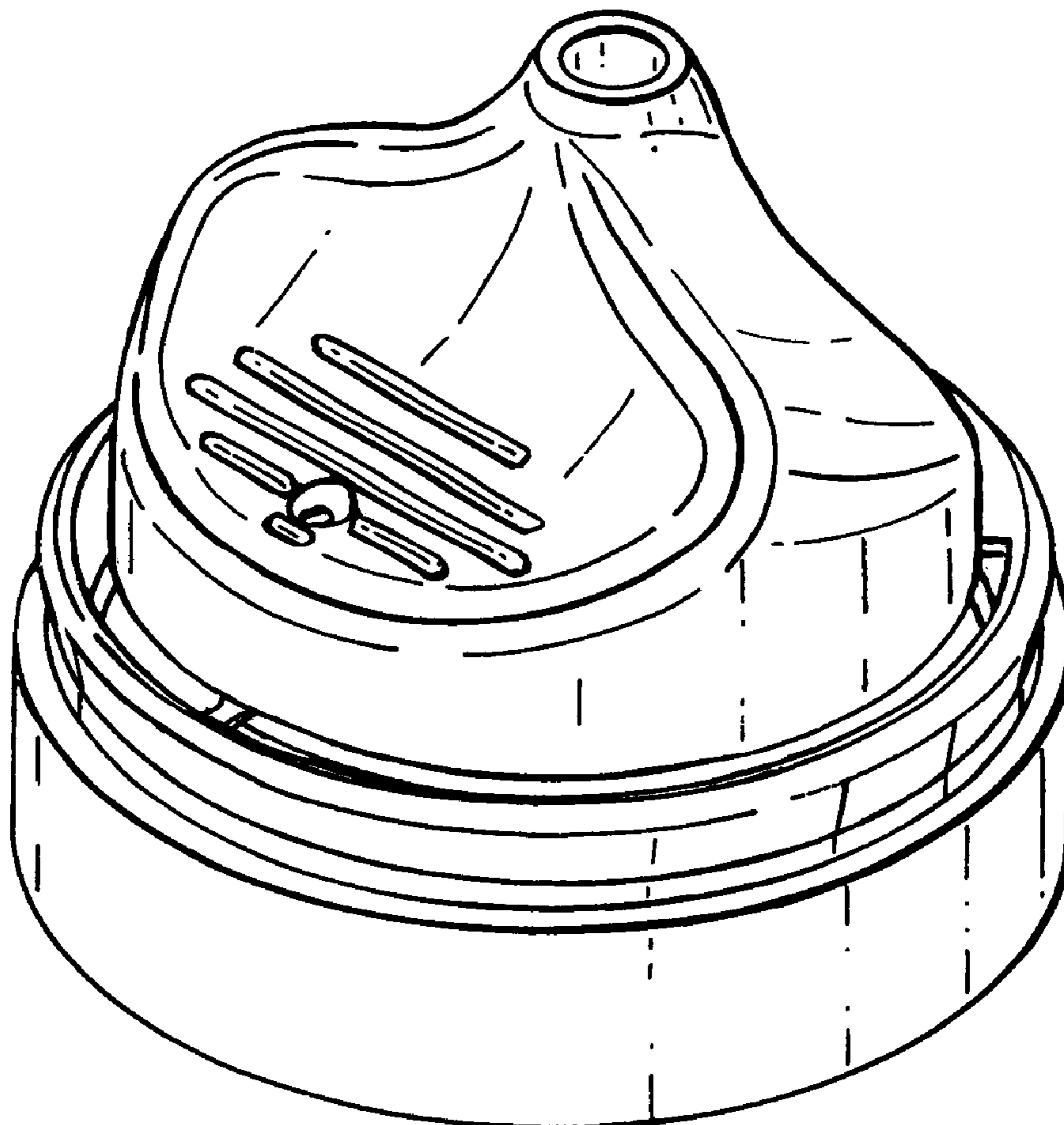
DESCRIPTION

FIG. 1 is a front perspective view from above and one side;
FIG. 2 is a rear view;
FIG. 3 is a view of the other side;
FIG. 4 is a plan view; and,
FIG. 5 is an underneath plan view.

(56) **References Cited**
U.S. PATENT DOCUMENTS

2,766,913 A * 10/1956 Wilshusen 222/402.22

1 Claim, 2 Drawing Sheets



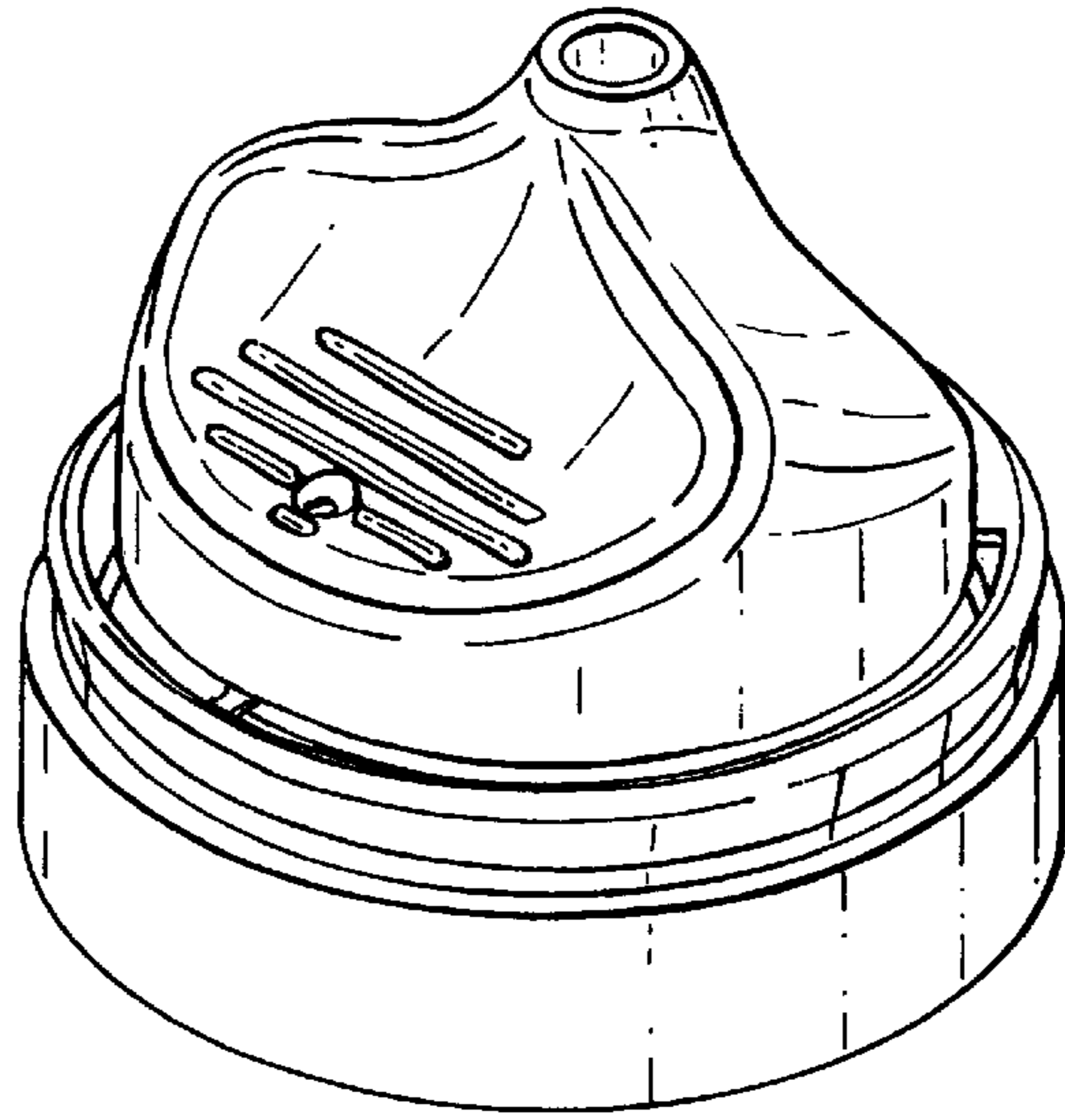


Fig. 1

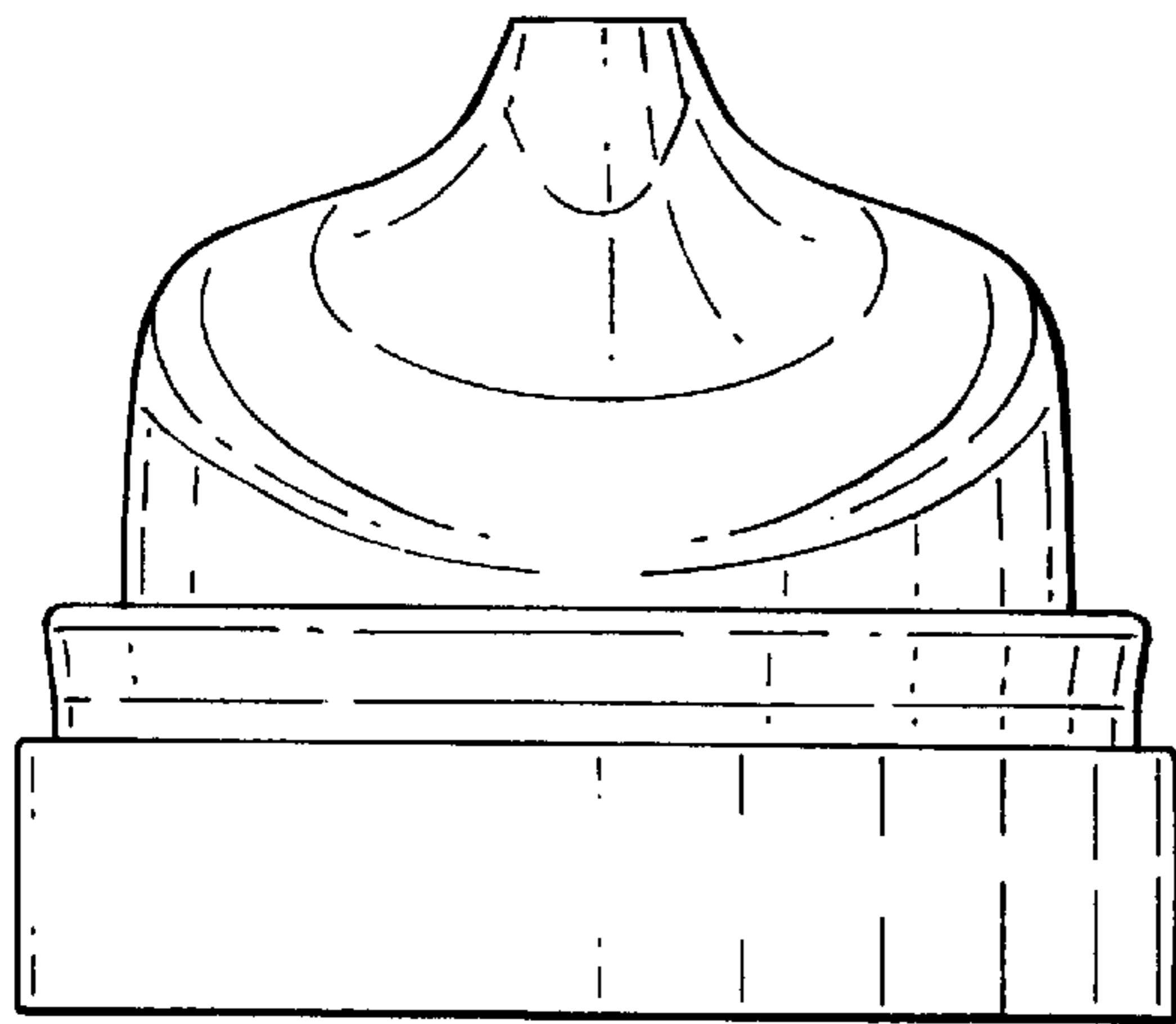


Fig. 2

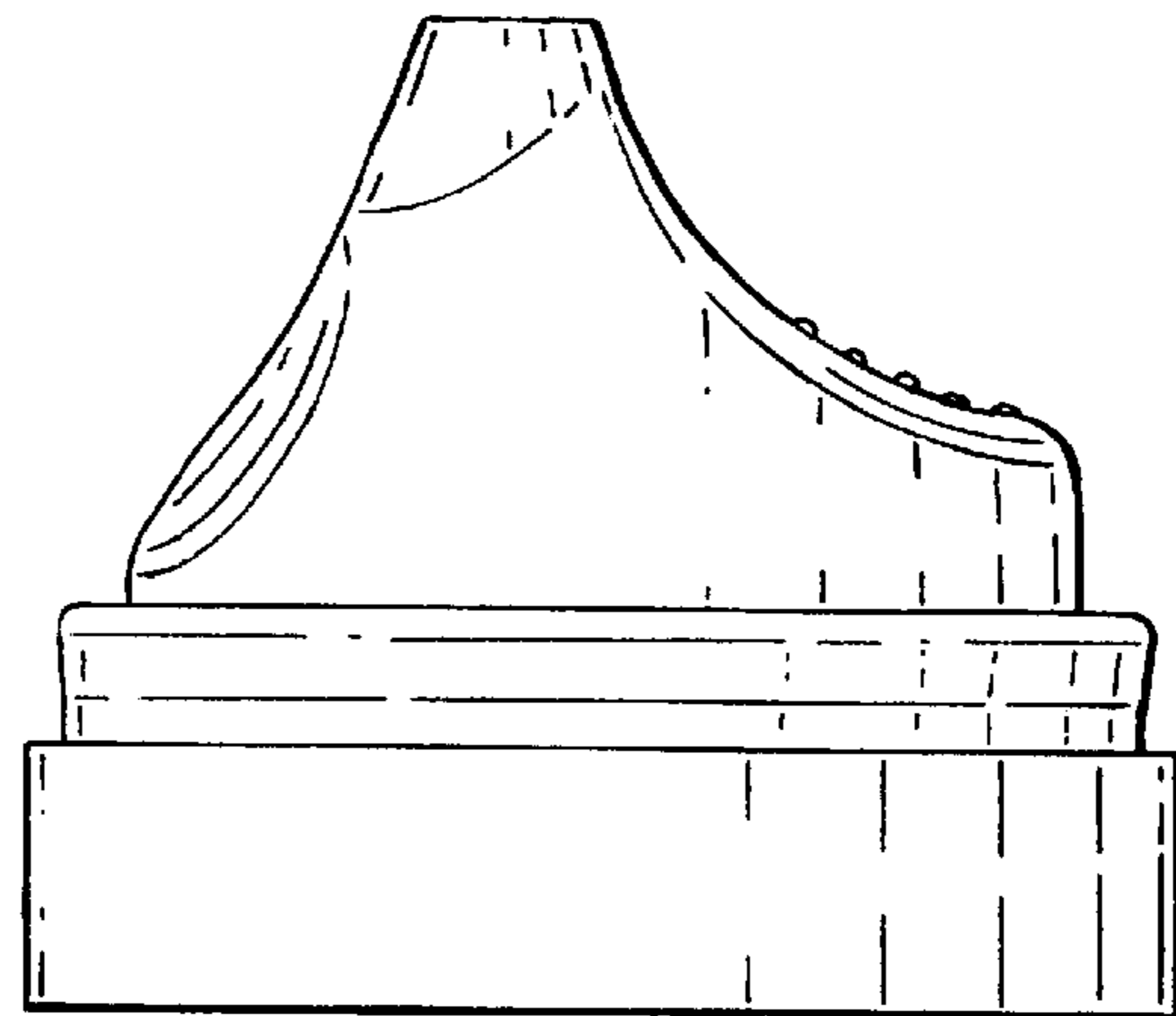


Fig. 3

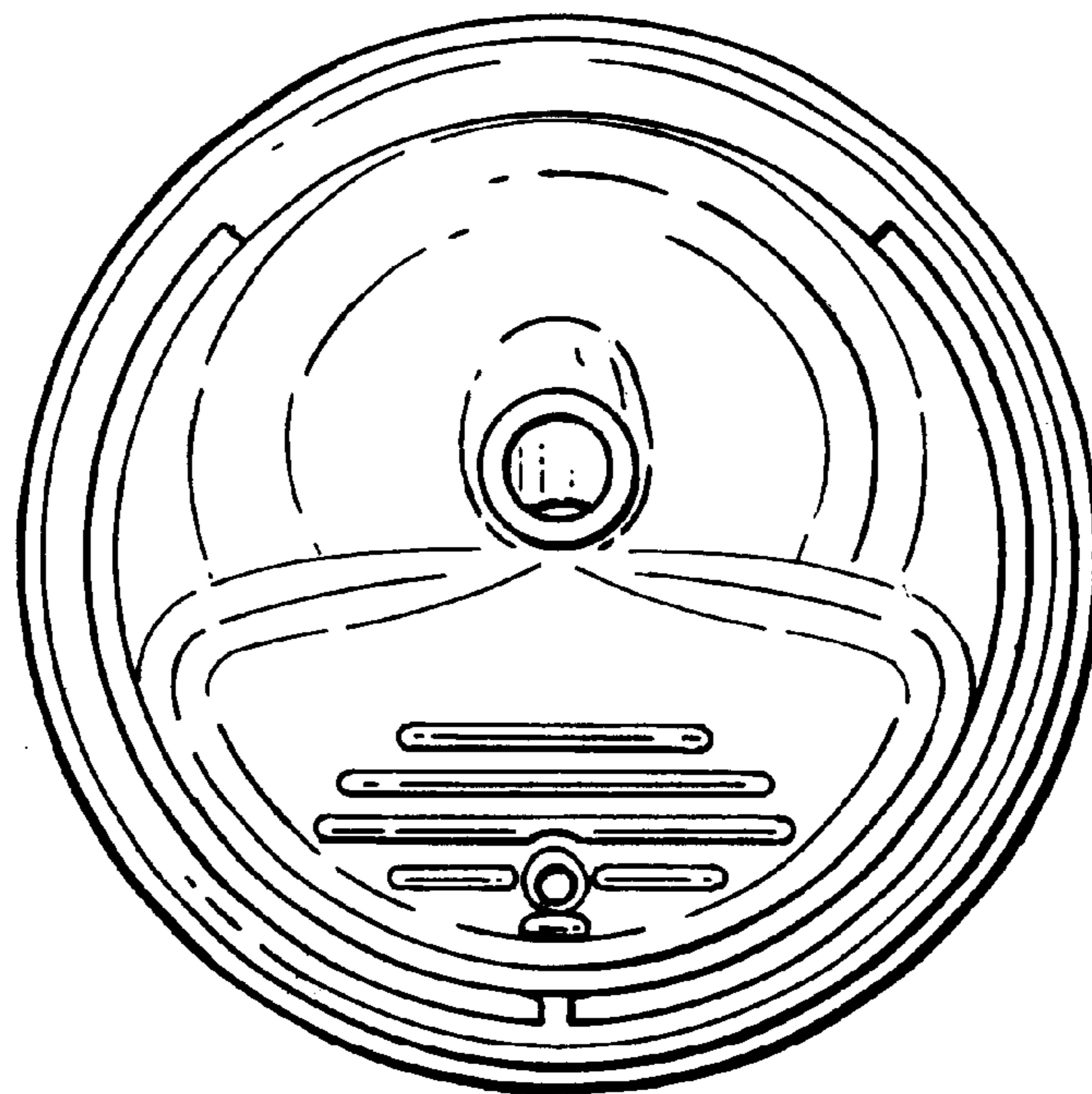


Fig.4

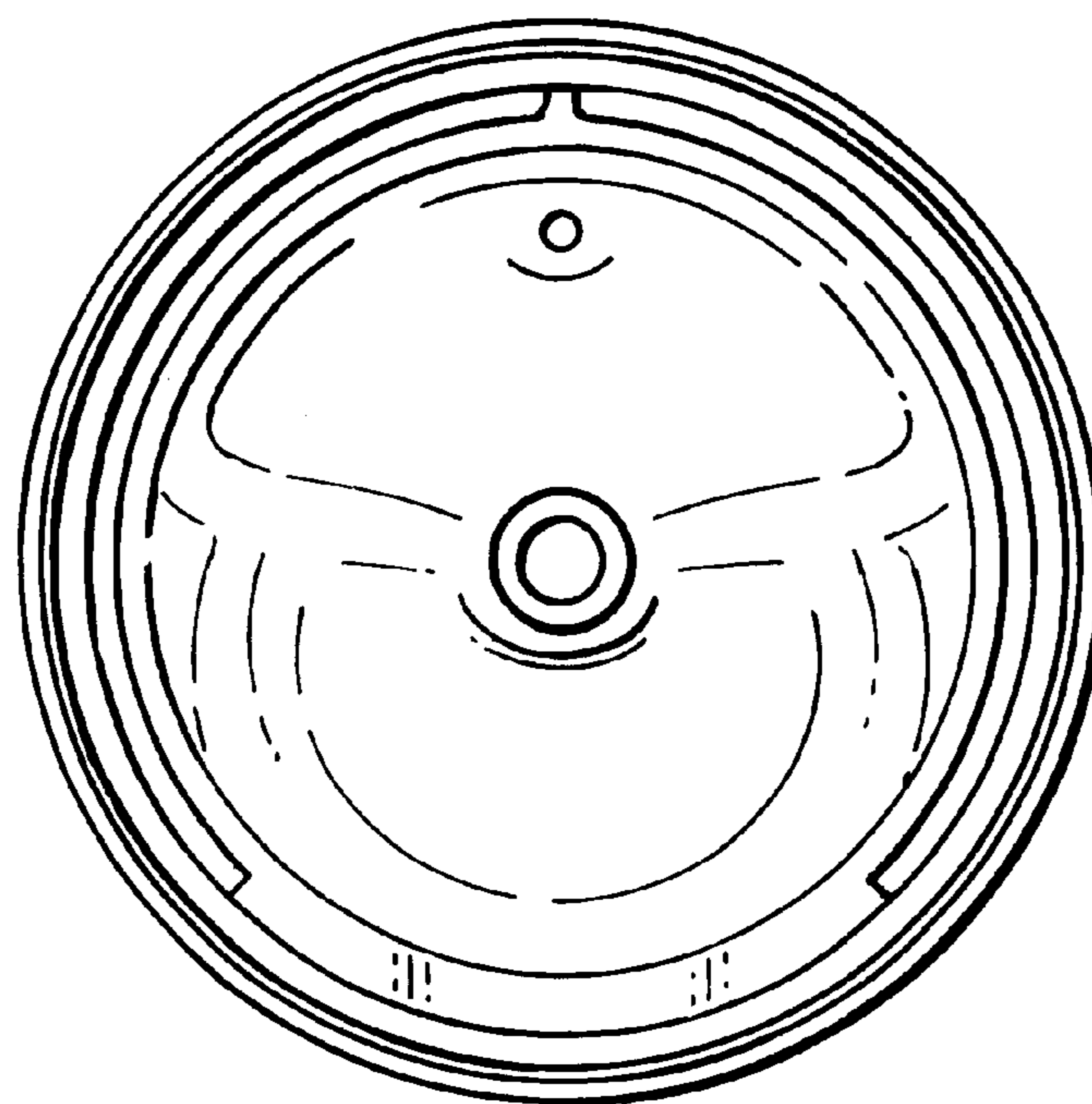


Fig.5