



US00D523743S

(12) **United States Design Patent**  
**Solowiejko et al.**

(10) **Patent No.:** **US D523,743 S**  
(45) **Date of Patent:** **\*\* Jun. 27, 2006**

- (54) **CONTAINER**
- (75) Inventors: **George Solowiejko**, Rockford, IL (US);  
**Edward Cronin**, Brodhead, WI (US)
- (73) Assignee: **J. L. Clark, Inc.**, Rockford, IL (US)
- (\*\*) Term: **14 Years**
- (21) Appl. No.: **29/240,557**
- (22) Filed: **Oct. 13, 2005**

**Related U.S. Application Data**

- (62) Division of application No. 29/200,095, filed on Feb. 24, 2004, now Pat. No. Des. 513,584.
- (51) **LOC (8) Cl.** ..... **09-03**
- (52) **U.S. Cl.** ..... **D9/417; D9/416; D9/424; D9/430; D9/418; D3/294**
- (58) **Field of Classification Search** ..... D9/414-418, D9/420-424, 426, 430, 435, 436; D3/201, D3/273, 282, 294; 206/806, 822; 229/125.08, 229/125.09, 125.14, 123.1; 220/253, 810, 220/254.1-254.7, 836, 376, 377, 259.1, DIG. 12  
See application file for complete search history.

**References Cited**

**U.S. PATENT DOCUMENTS**

- 2,565,939 A \* 8/1951 Wriston ..... 220/4.23
- 3,155,285 A 11/1964 Van Baam
- D200,270 S 2/1965 Waterman
- D204,509 S 4/1966 Waterman
- 3,322,308 A 5/1967 Foster
- 3,822,906 A \* 7/1974 Gaines ..... 292/251.5
- 3,872,996 A 3/1975 Dogliotti
- D238,469 S 1/1976 Lanius
- 4,024,976 A 5/1977 Acton
- 4,433,808 A 2/1984 Gordon et al.
- D278,115 S 3/1985 Leininger
- D278,207 S \* 4/1985 McLaughlin ..... D3/203.2
- 4,759,478 A 7/1988 Richardson et al.
- 4,898,292 A 2/1990 VerWeyst et al.
- D312,190 S 11/1990 Ciaccio
- D328,710 S 8/1992 Deflander

- 5,139,181 A 8/1992 VerWeyst
- 5,156,291 A \* 10/1992 Mielke ..... 220/254.5
- D339,528 S 9/1993 Rueppel
- 5,337,911 A 8/1994 Holub
- D364,344 S 11/1995 Shaw
- 5,779,082 A 7/1998 Miramon
- D397,247 S 8/1998 Gardner et al.
- D430,022 S 8/2000 Goettner
- D431,458 S 10/2000 Bried et al.
- D444,703 S \* 7/2001 Allasia ..... D9/423
- D446,722 S 8/2001 Morrow
- D448,295 S 9/2001 Mozes
- D450,586 S 11/2001 Kick
- D464,567 S 10/2002 Baerenwald et al.
- 6,510,981 B1 1/2003 Deering
- D473,107 S 4/2003 McGuyer
- D473,462 S \* 4/2003 Green et al. .... D9/430
- D485,754 S 1/2004 Fielder et al.
- D486,390 S 2/2004 Auclair et al.
- D491,065 S 6/2004 Solowiejko et al.
- D492,200 S 6/2004 Solowiejko et al.
- D496,271 S 9/2004 Hoeltgen
- D497,106 S 10/2004 Solowiejko et al.

\* cited by examiner

*Primary Examiner*—Prabhakar Deshmukh  
(74) *Attorney, Agent, or Firm*—Leydig, Voit & Mayer, Ltd.

(57) **CLAIM**

We claim the ornamental design for the container, as shown and described.

**DESCRIPTION**

FIG. 1 is a perspective view of a container showing our new design;  
FIG. 2 is a bottom perspective view thereof;  
FIG. 3 is a top plan view thereof;  
FIG. 4 is a front elevational view thereof;  
FIG. 5 is a left side elevational view thereof;  
FIG. 6 is a bottom plan view thereof;  
FIG. 7 is a rear elevational view thereof; and,  
FIG. 8 is right side elevational view thereof.  
The broken lines are for illustrative purpose only and form no part of the claimed design.

**1 Claim, 3 Drawing Sheets**

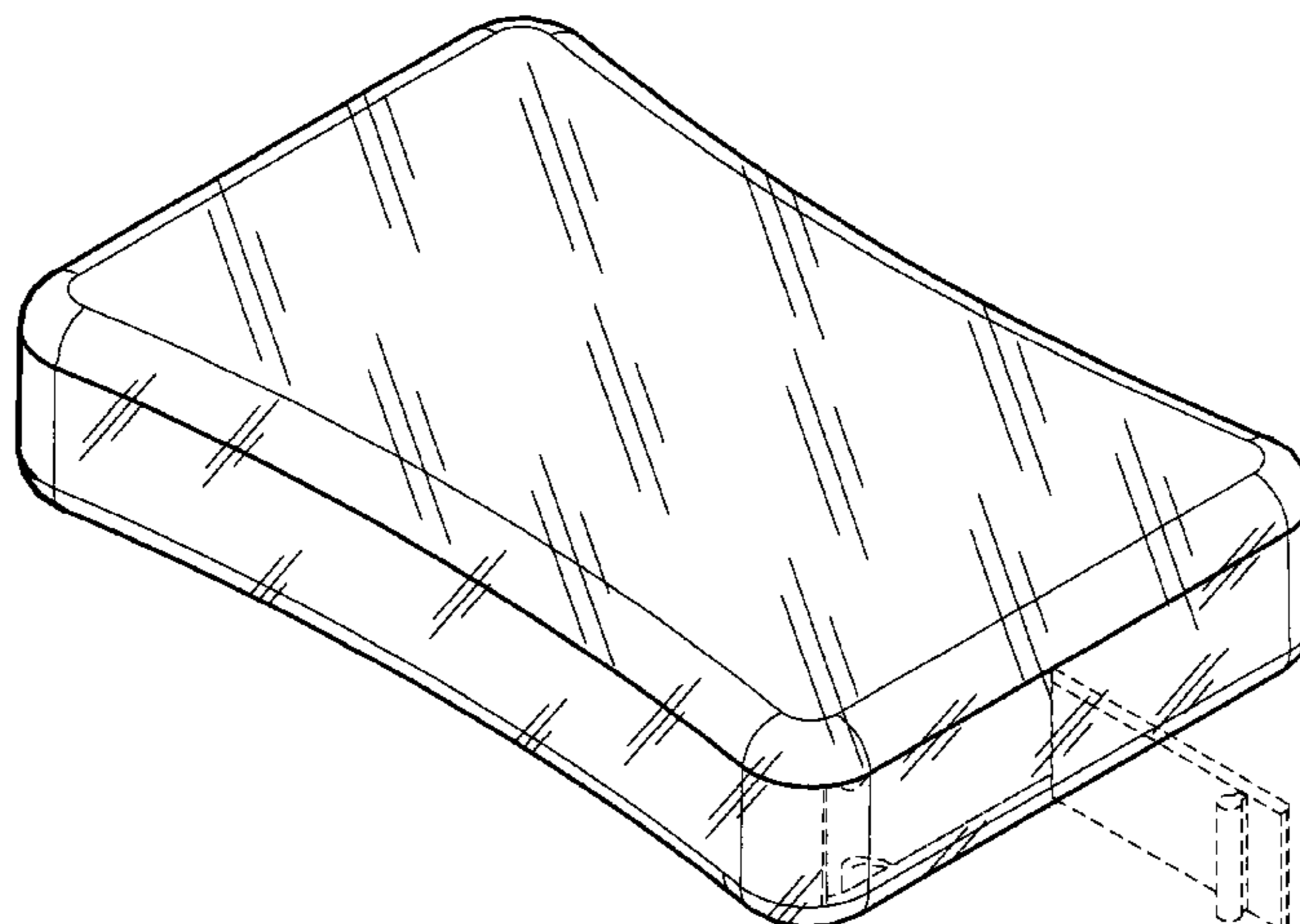


FIG. 1

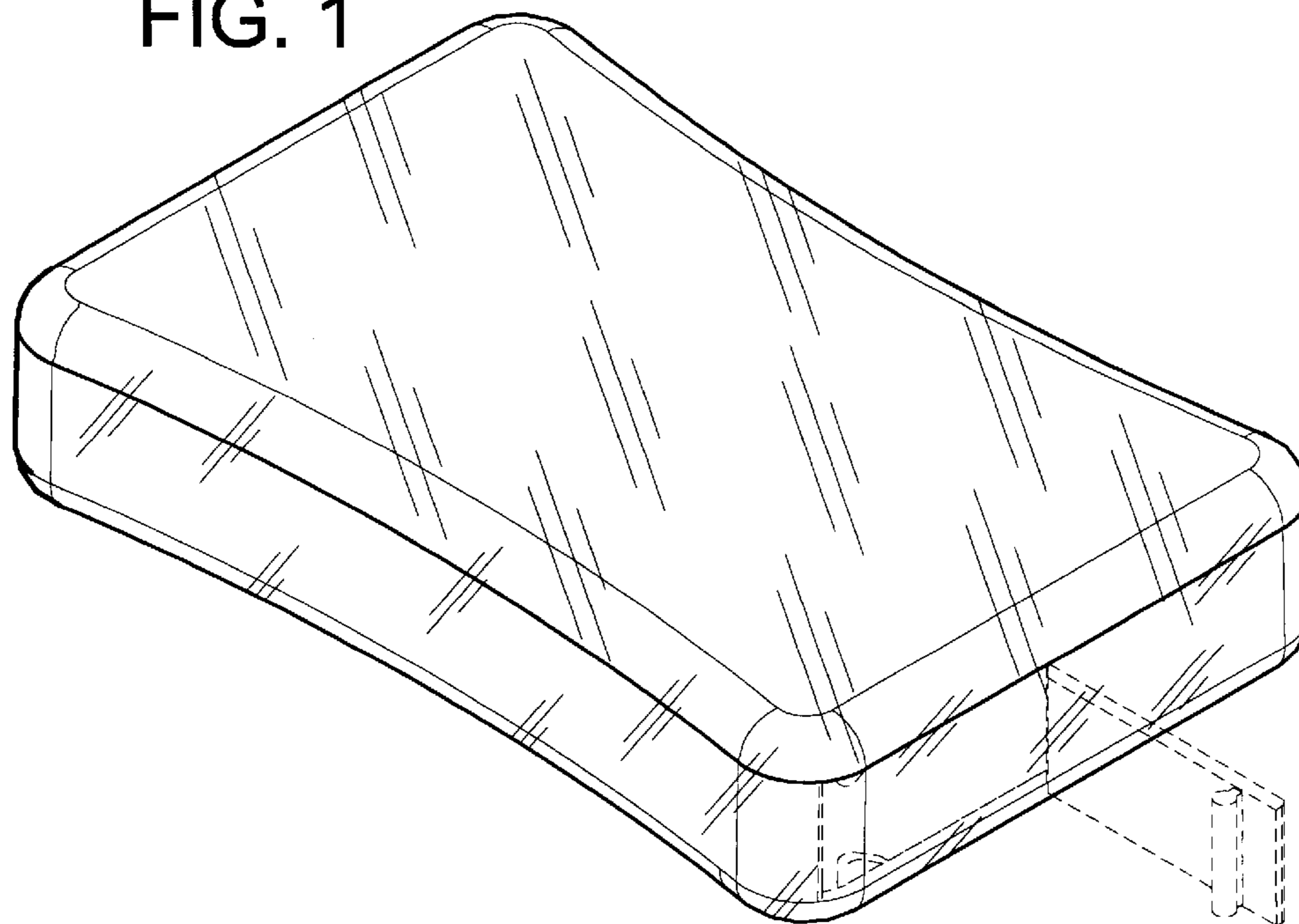
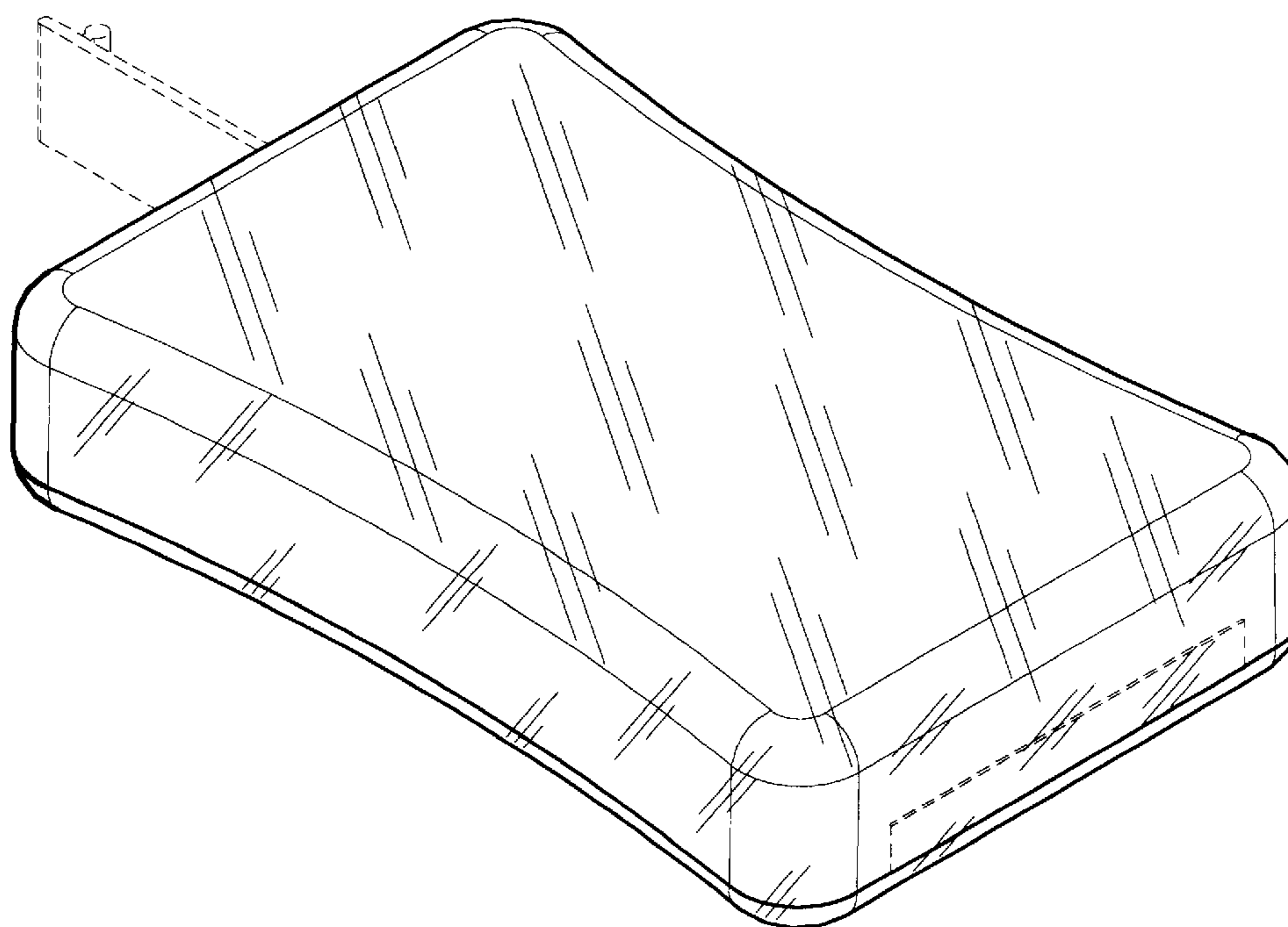
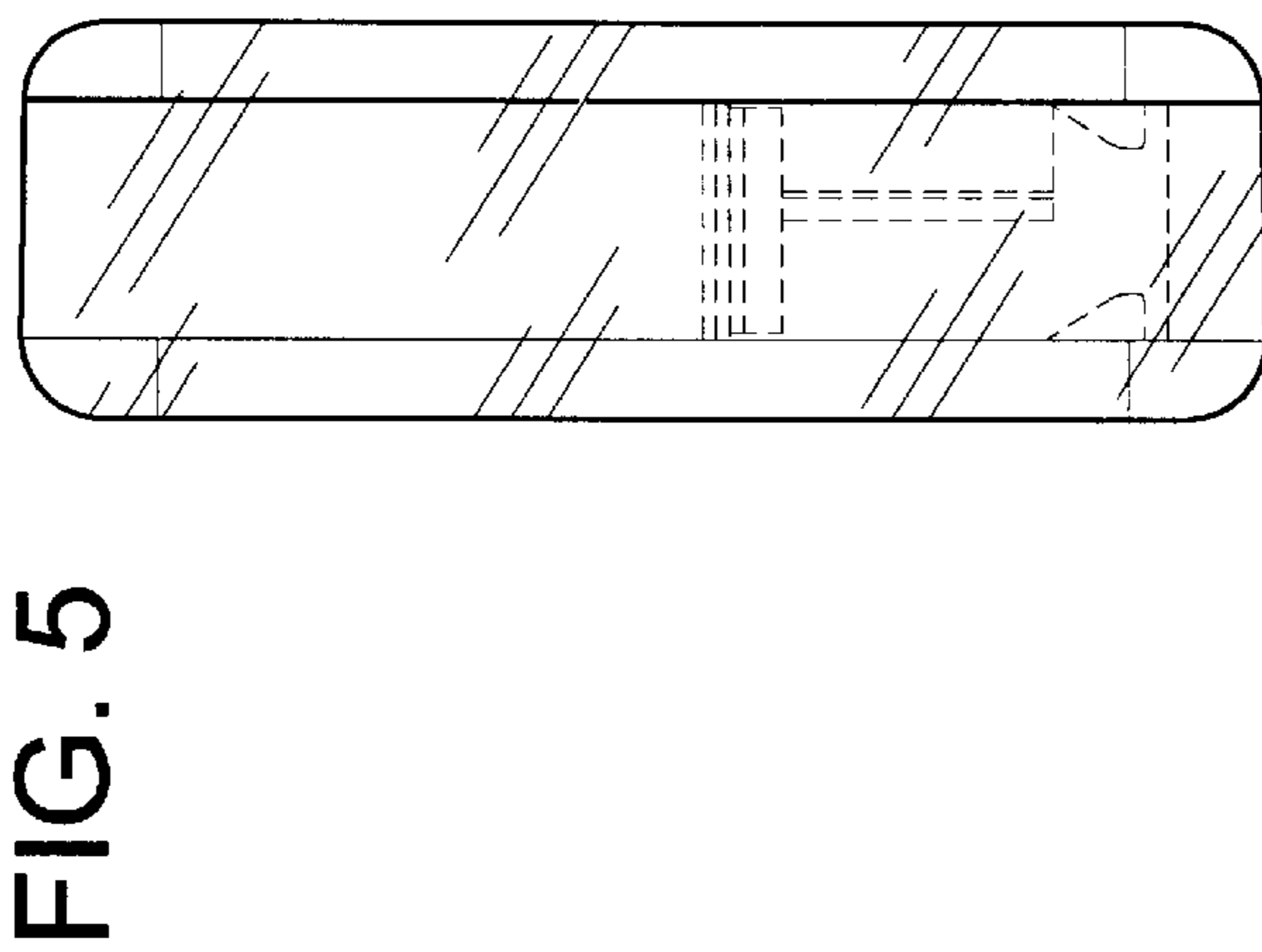
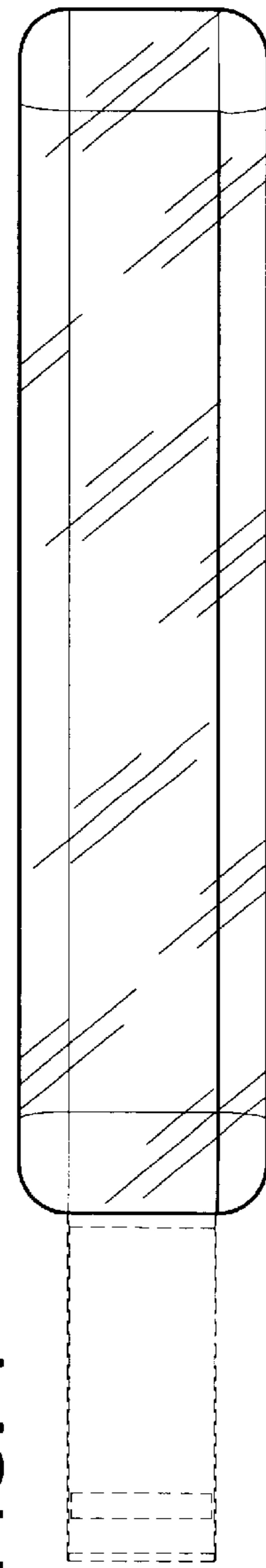
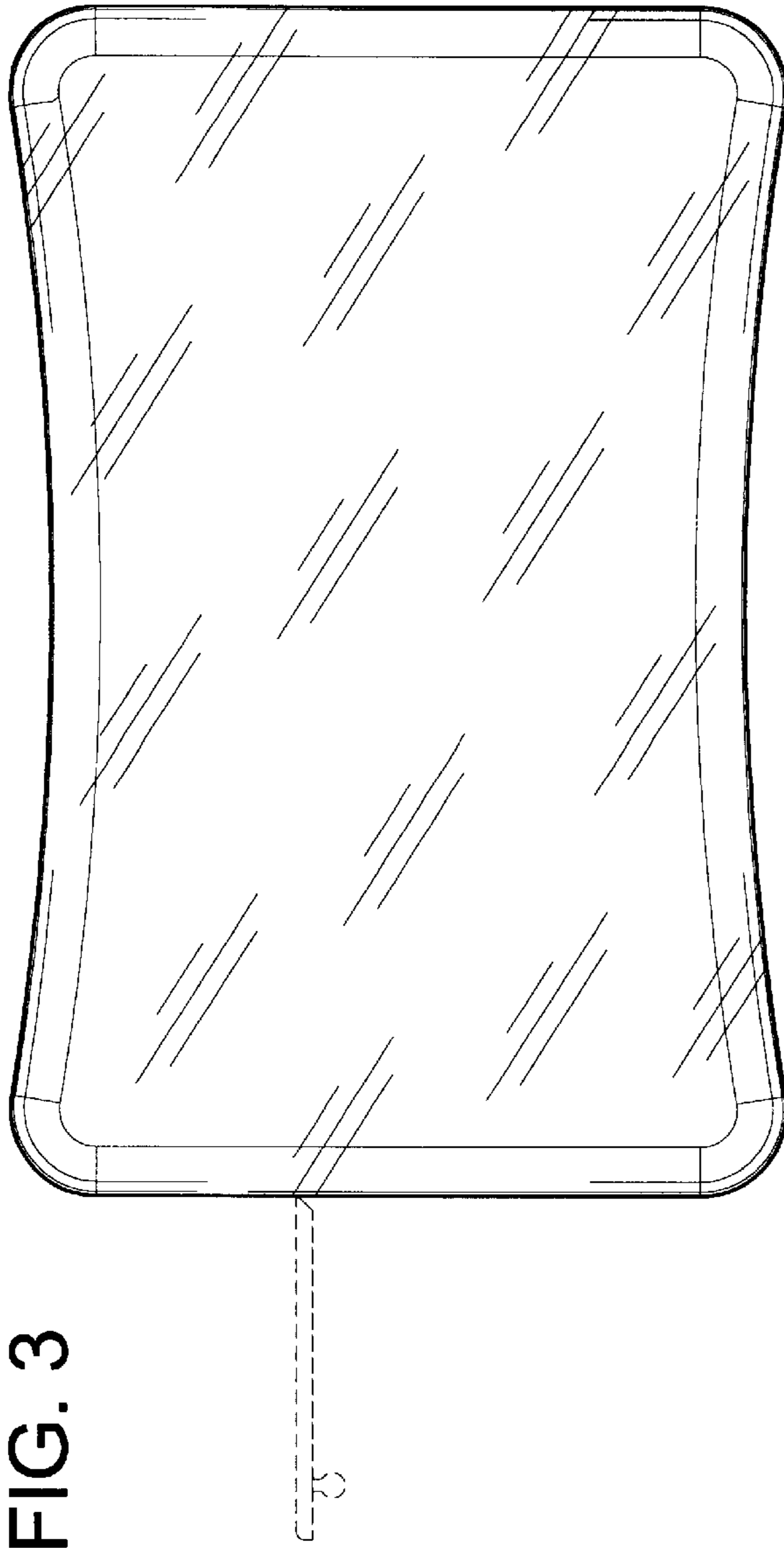


FIG. 2





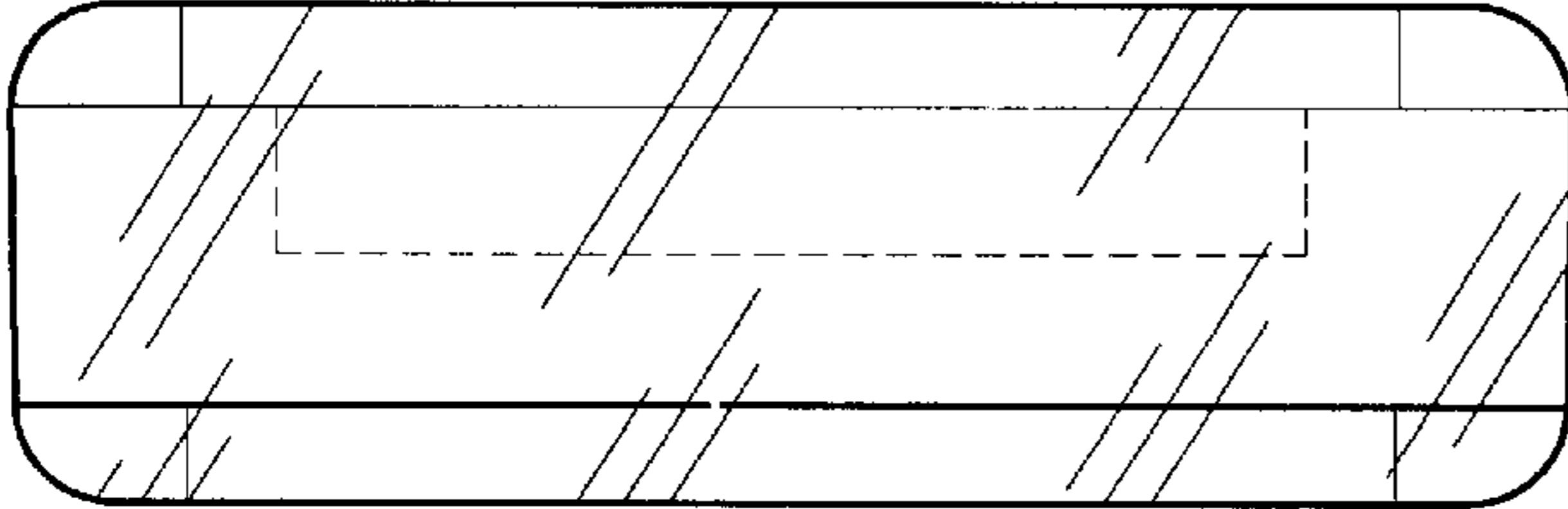


FIG. 8

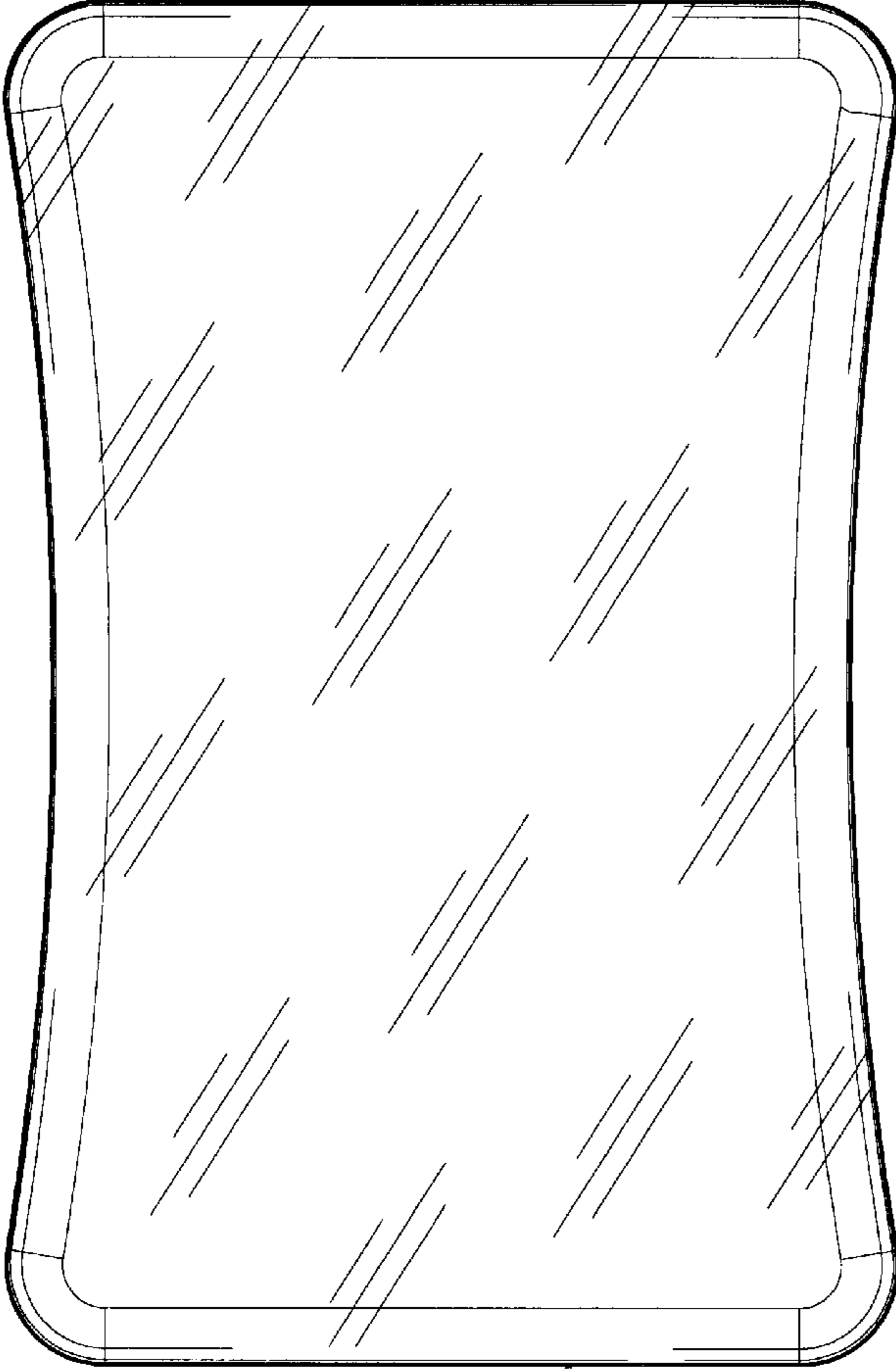


FIG. 6

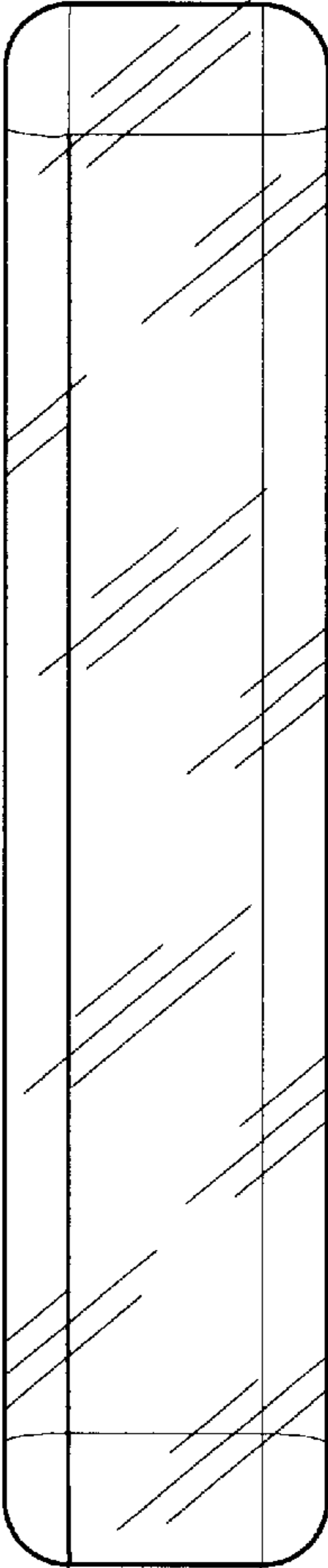


FIG. 7