

US00D523741S

(12) **United States Design Patent**
Pluchino et al.

(10) **Patent No.:** **US D523,741 S**
(45) **Date of Patent:** **** Jun. 27, 2006**

(54) **HOLDER FOR AN INFORMATION MARKER**

(75) Inventors: **Joseph Pluchino**, Mount Olive, NJ (US); **Ellen Stein Ritzmann**, New City, NY (US); **Tom Chung**, Kowloon (HK)

(73) Assignee: **Randy Hangers, LLC**, East Rutherford, NJ (US)

(**) Term: **14 Years**

(21) Appl. No.: **29/219,737**

(22) Filed: **Dec. 21, 2004**

Related U.S. Application Data

(63) Continuation-in-part of application No. 29/197,087, filed on Jan. 9, 2004.

(51) **LOC (8) Cl.** **06-08**

(52) **U.S. Cl.** **D9/328**

(58) **Field of Classification Search** D6/328,
D6/315, 318, 323, 325; D8/395; D32/64;
D20/22, 27, 28, 42; 40/322; 223/85, 88, 90,
223/91, 93, 96

See application file for complete search history.

(56) **References Cited**

U.S. PATENT DOCUMENTS

4,115,940	A	*	9/1978	Phillips	40/322
5,135,141	A	*	8/1992	Harmer et al.	223/85
5,383,583	A	*	1/1995	Zuckerman	223/85
5,449,099	A	*	9/1995	Blanchard	223/85
5,469,995	A	*	11/1995	Bredeweg et al.	223/85
5,485,943	A	*	1/1996	Zuckerman	223/85

5,611,469	A	*	3/1997	Eiley et al.	223/85
5,642,840	A	*	7/1997	Abdi	223/85
6,145,713	A	*	11/2000	Zuckerman	223/85
6,264,075	B1	*	7/2001	Gouldson et al.	223/85
6,499,634	B1	*	12/2002	Olk et al.	223/85

* cited by examiner

Primary Examiner—Nanda Bondade

Assistant Examiner—Shanda C. Hill

(74) *Attorney, Agent, or Firm*—Katten Muchin Rosenman LLP

(57) **CLAIM**

The ornamental design for a holder for an information marker, as shown and described.

DESCRIPTION

FIG. 1 is a perspective view of a holder for an information marker showing our new design;

FIG. 2 is a rear elevational view thereof; the front elevational view being a mirror image thereto;

FIG. 3 is a left side elevational view thereof;

FIG. 4 is a top plan view thereof;

FIG. 5 is a rear elevational view thereof, shown in condition of use;

FIG. 6 is an enlarged rear elevational view of FIG. 2;

FIG. 7 is an enlarged perspective view of FIG. 1;

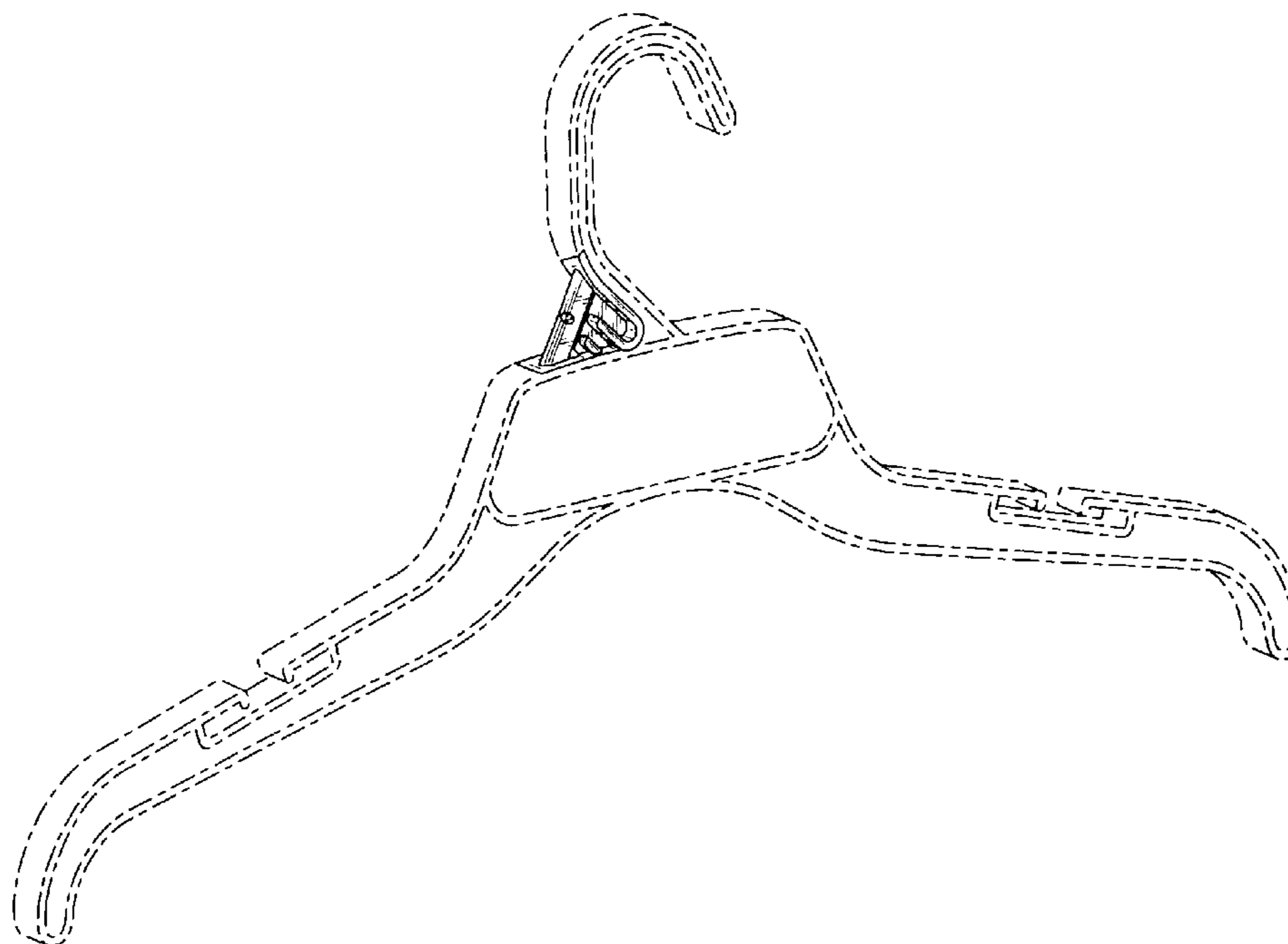
FIG. 8 is an enlarged left side elevational view of FIG. 3;

FIG. 9 is an enlarged top plan view of FIG. 4; and,

FIG. 10 is an enlarged rear elevational view FIG. 5.

The broken lines shown in the drawing disclosure are for illustrative purposes only and form no part of the claimed design.

1 Claim, 10 Drawing Sheets



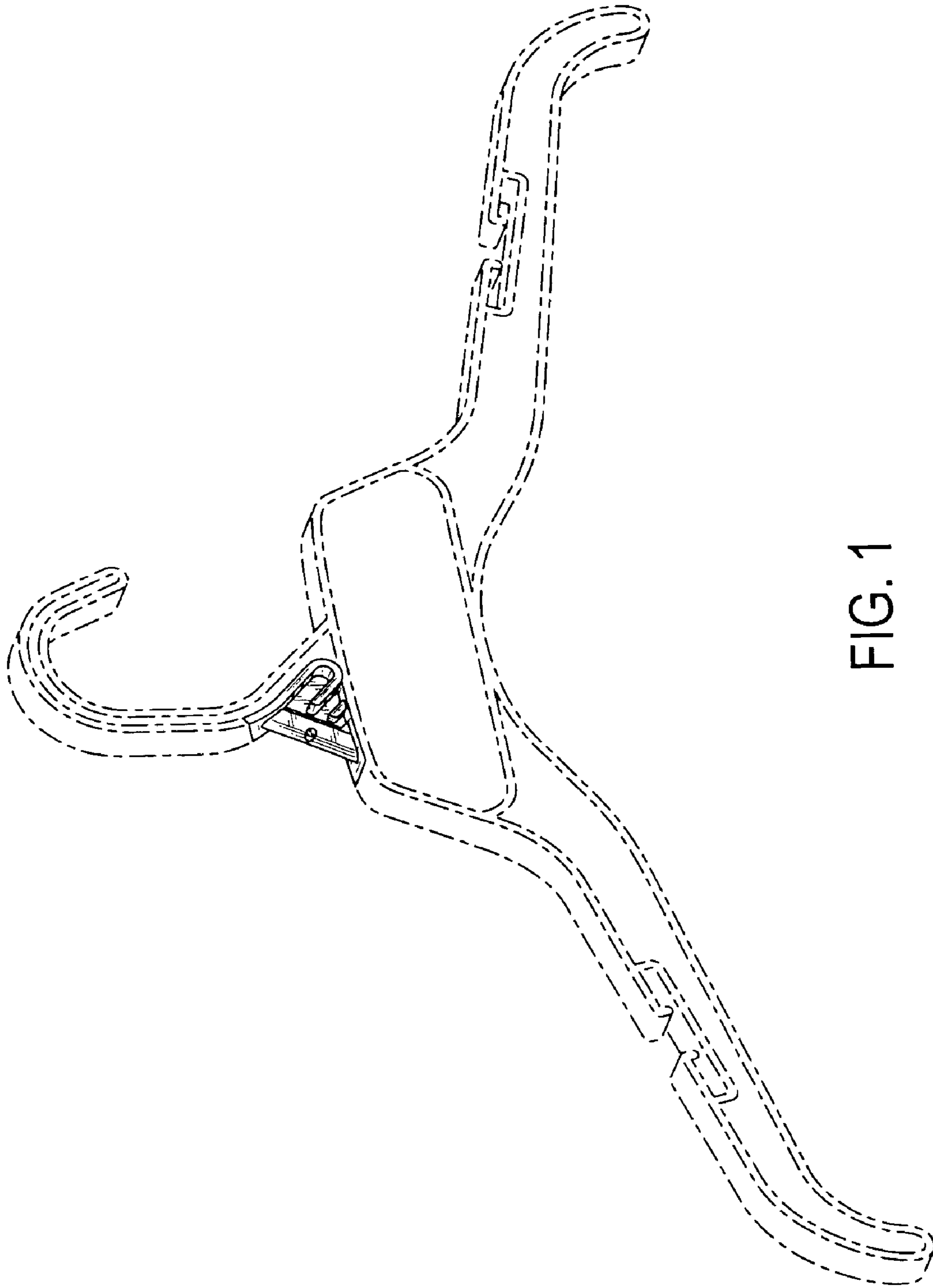


FIG. 1

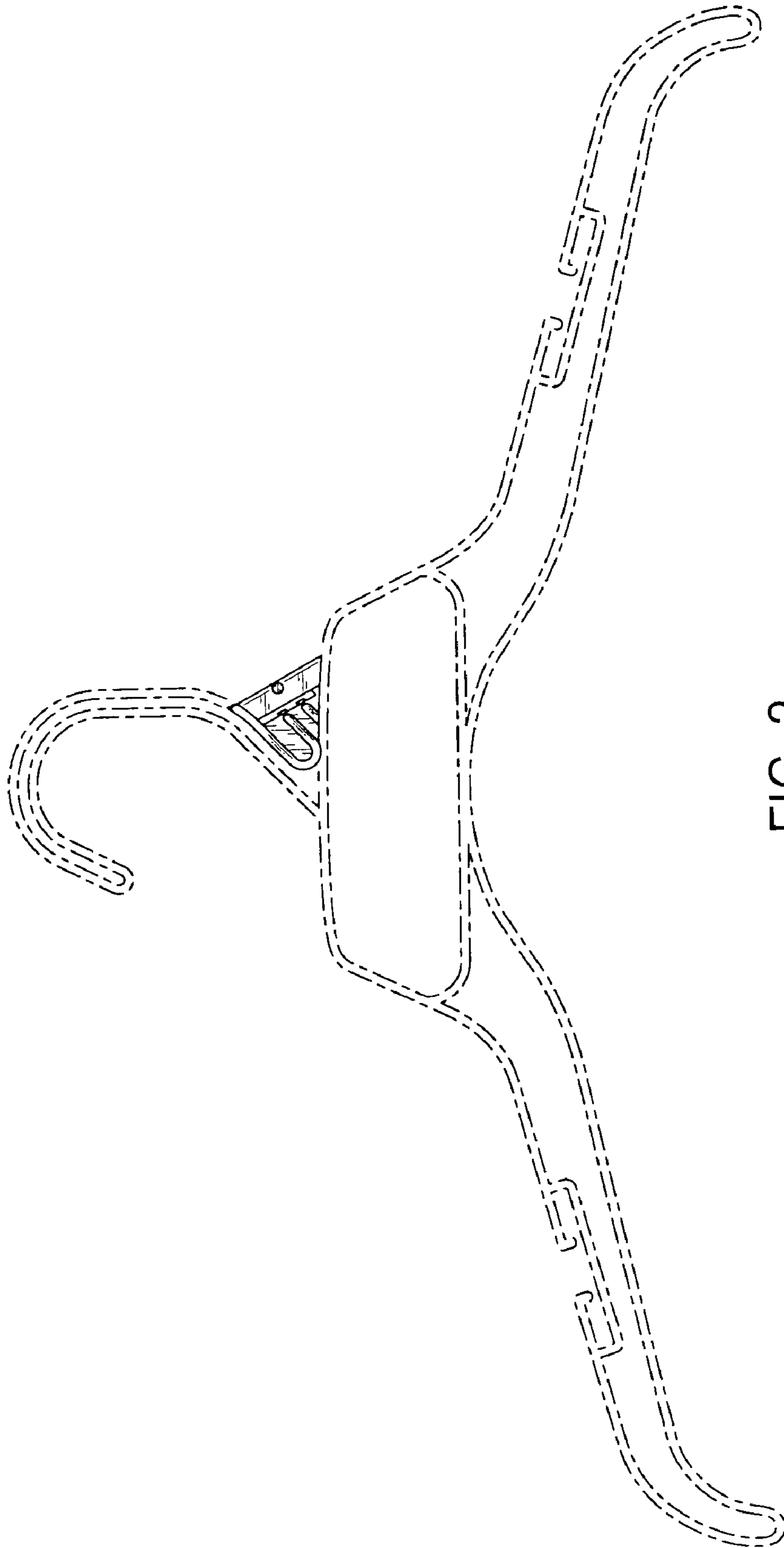


FIG. 2



FIG. 3

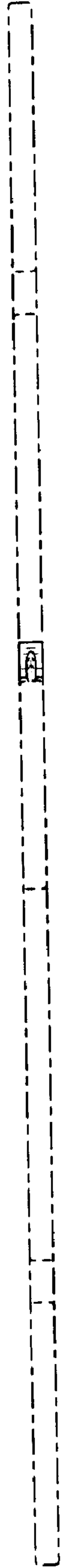


FIG. 4

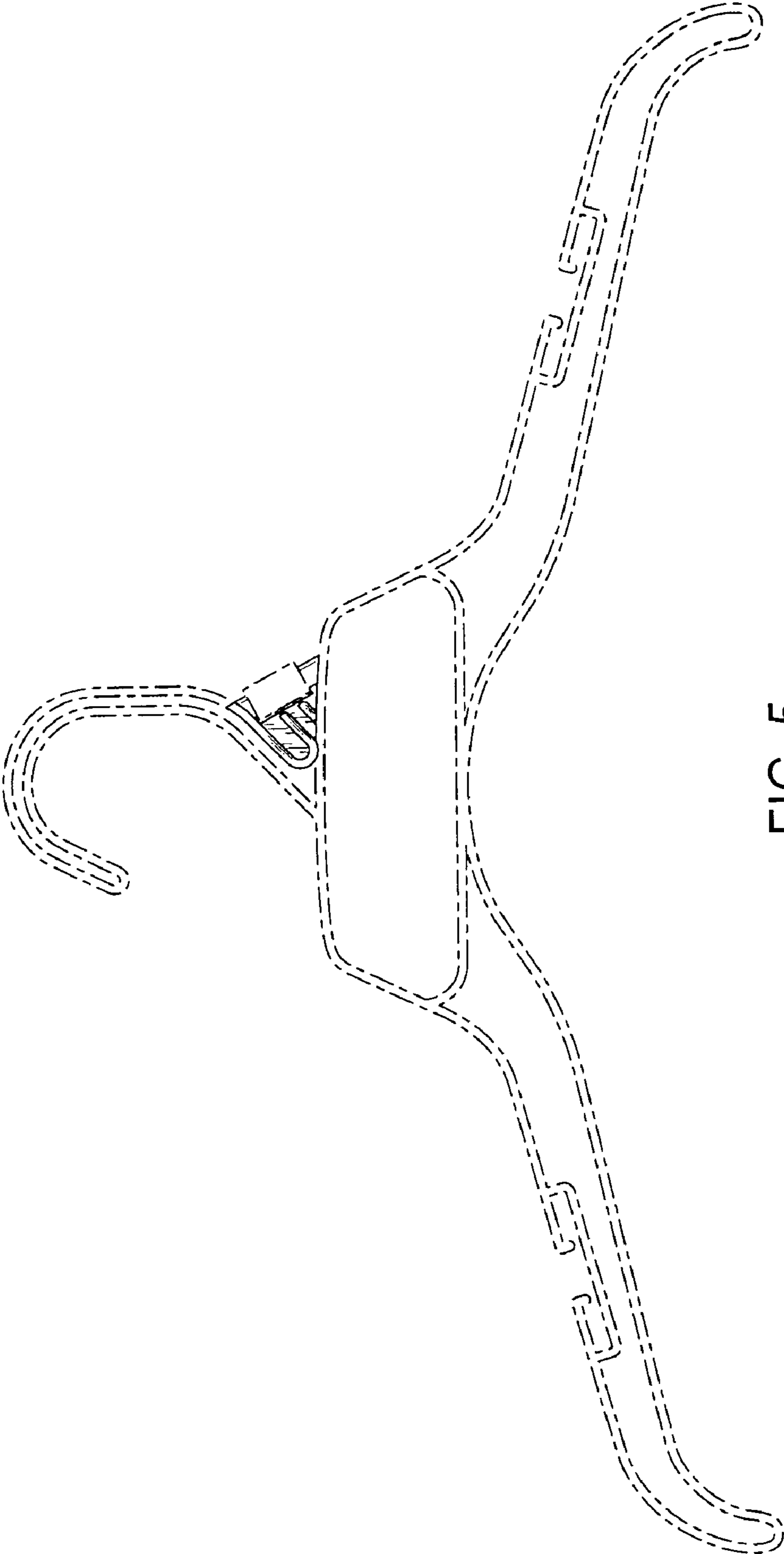


FIG. 5

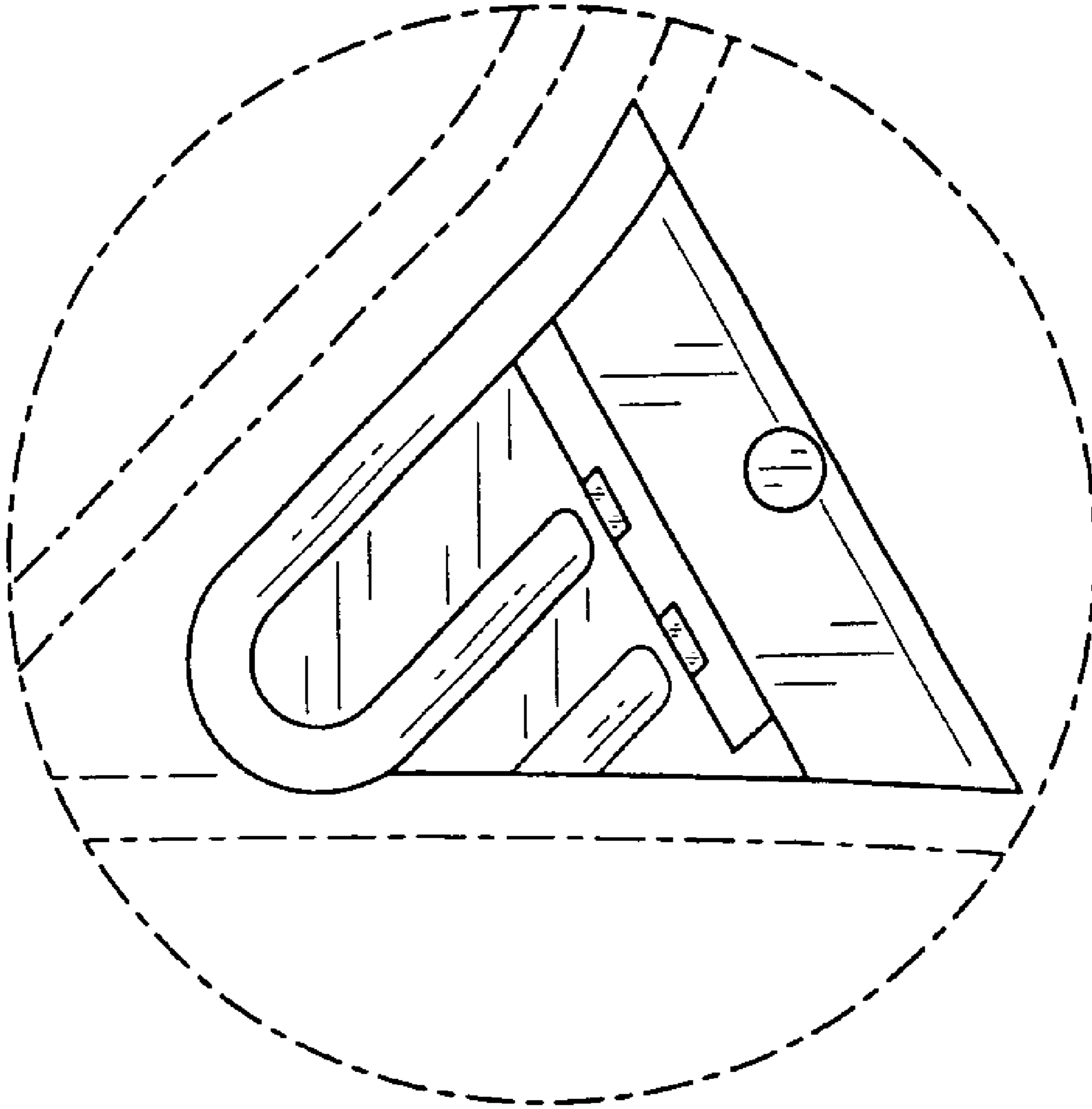


FIG. 6

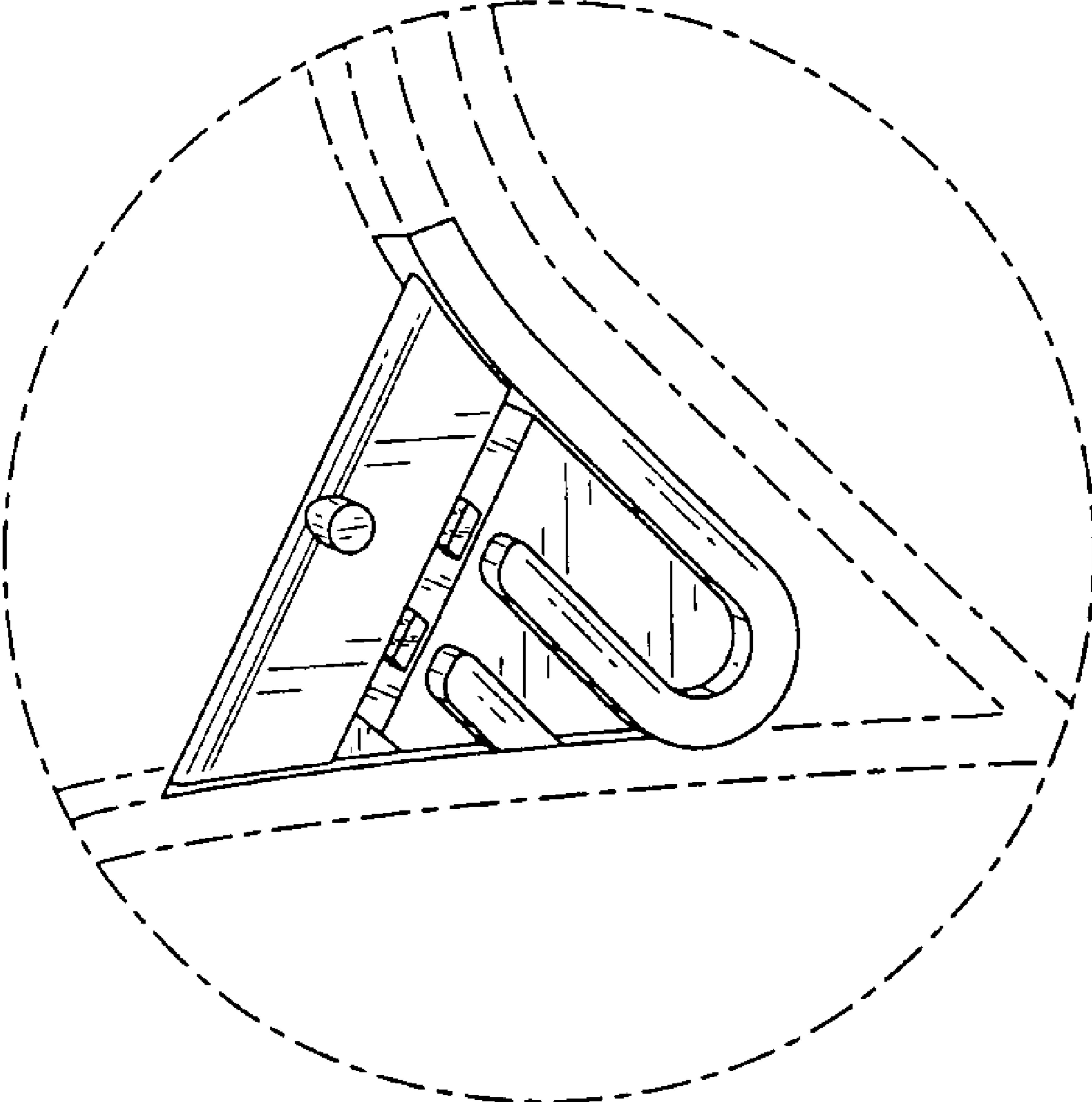


FIG. 7

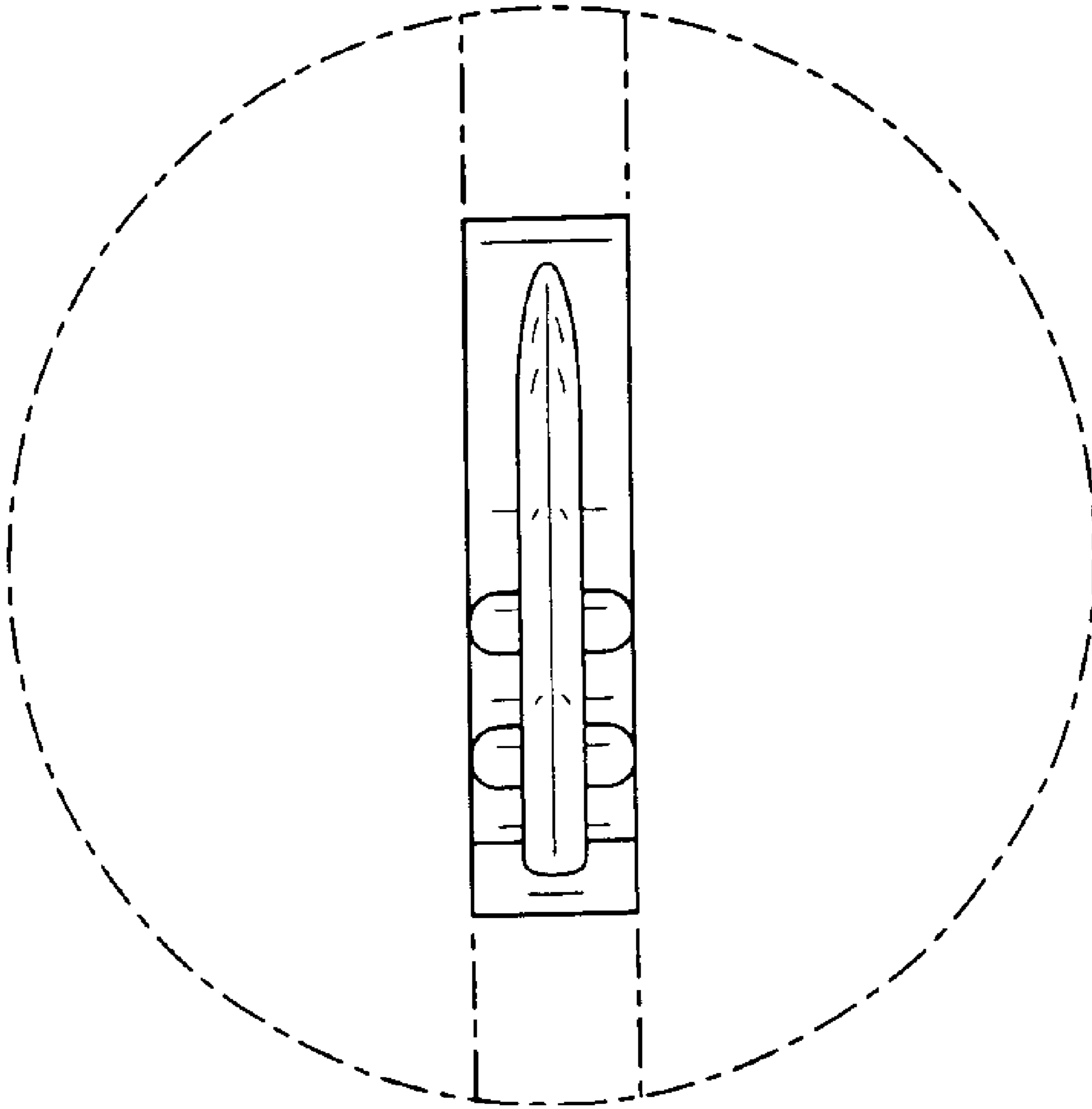


FIG. 8

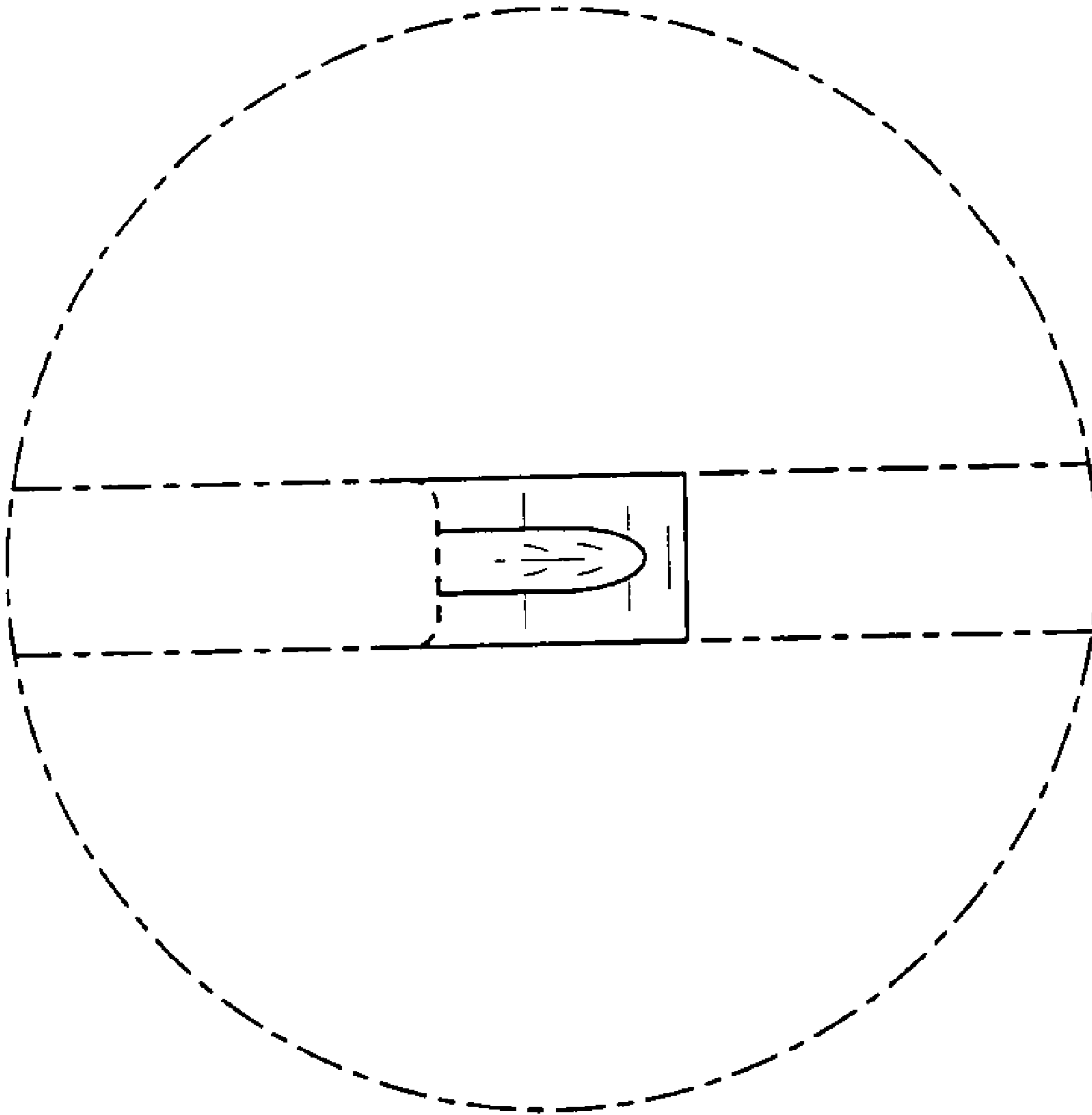


FIG. 9

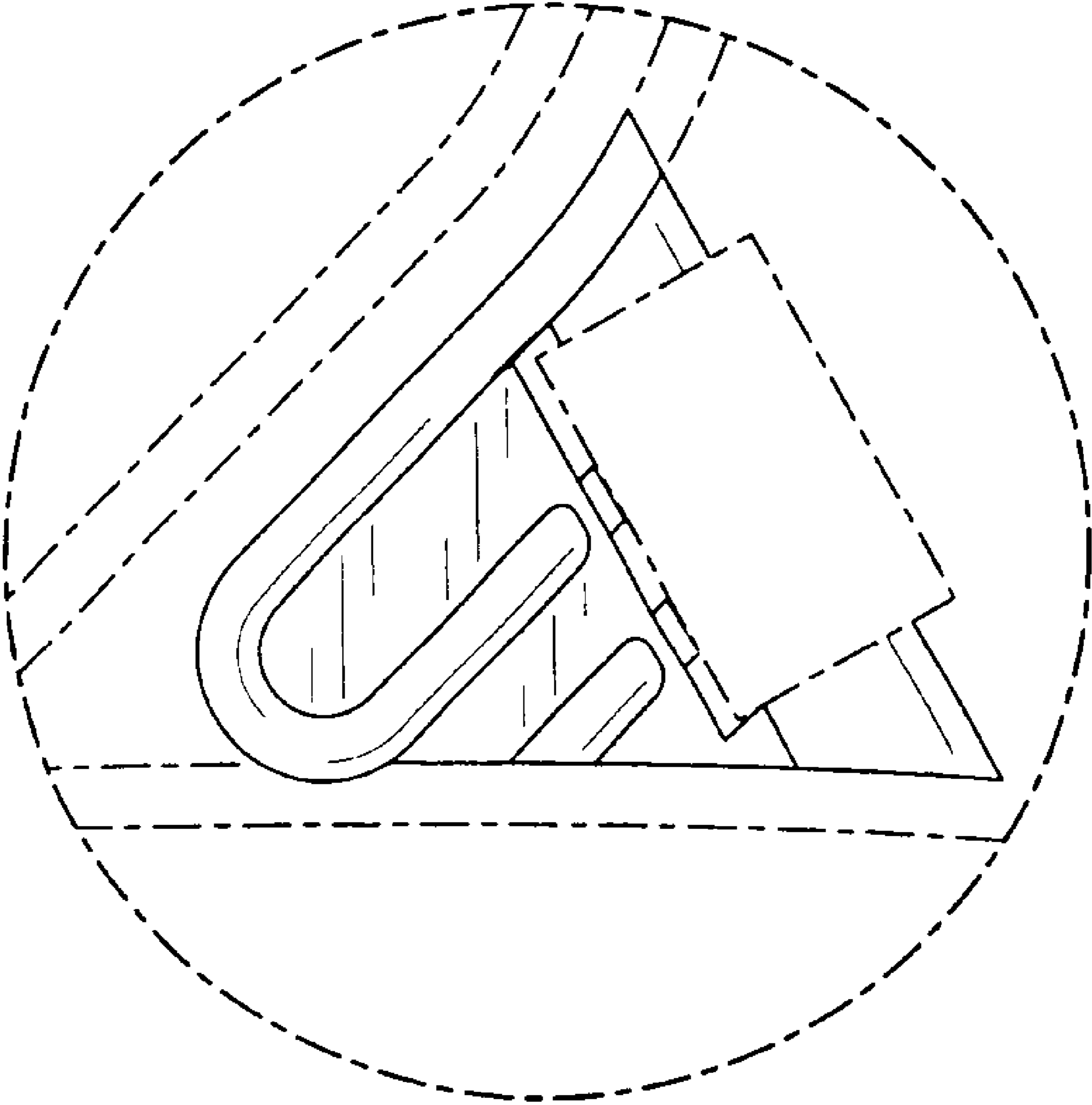


FIG. 10