



US00D523740S

(12) **United States Design Patent**
Harris

(10) **Patent No.:** **US D523,740 S**

(45) **Date of Patent:** **** Jun. 27, 2006**

(54) **GUARD FOR USE BETWEEN FURNITURE
AND A WALL**

5,799,921 A 9/1998 Stattel 248/501
D415,412 S * 10/1999 Chavers D8/403
D439,501 S * 3/2001 Benz et al. D8/354

(76) Inventor: **John Harris**, 6120 Oakdale Ave.,
Oakland, CA (US) 94605

* cited by examiner

(**) Term: **14 Years**

Primary Examiner—Holly H. Baynham

(74) *Attorney, Agent, or Firm*—Goldstein Law Offices P.C.

(21) Appl. No.: **29/189,473**

(57) **CLAIM**

(22) Filed: **Sep. 5, 2003**

The ornamental design for a guard for use between furniture and a wall, as shown and described.

(51) **LOC (8) Cl.** **08-99**

(52) **U.S. Cl.** **D8/403**

(58) **Field of Classification Search** D8/403,
D8/354, 349; 248/345.1; 52/244
See application file for complete search history.

DESCRIPTION

FIG. 1 is a perspective view of a guard for use between furniture and a wall.

FIG. 2 is a front elevational view thereof.

FIG. 3 is a rear elevational view thereof.

FIG. 4 is a right side elevational view thereof.

FIG. 5 is a left side elevational view thereof.

FIG. 6 is a top plan view of the guard for use between furniture and a wall; and,

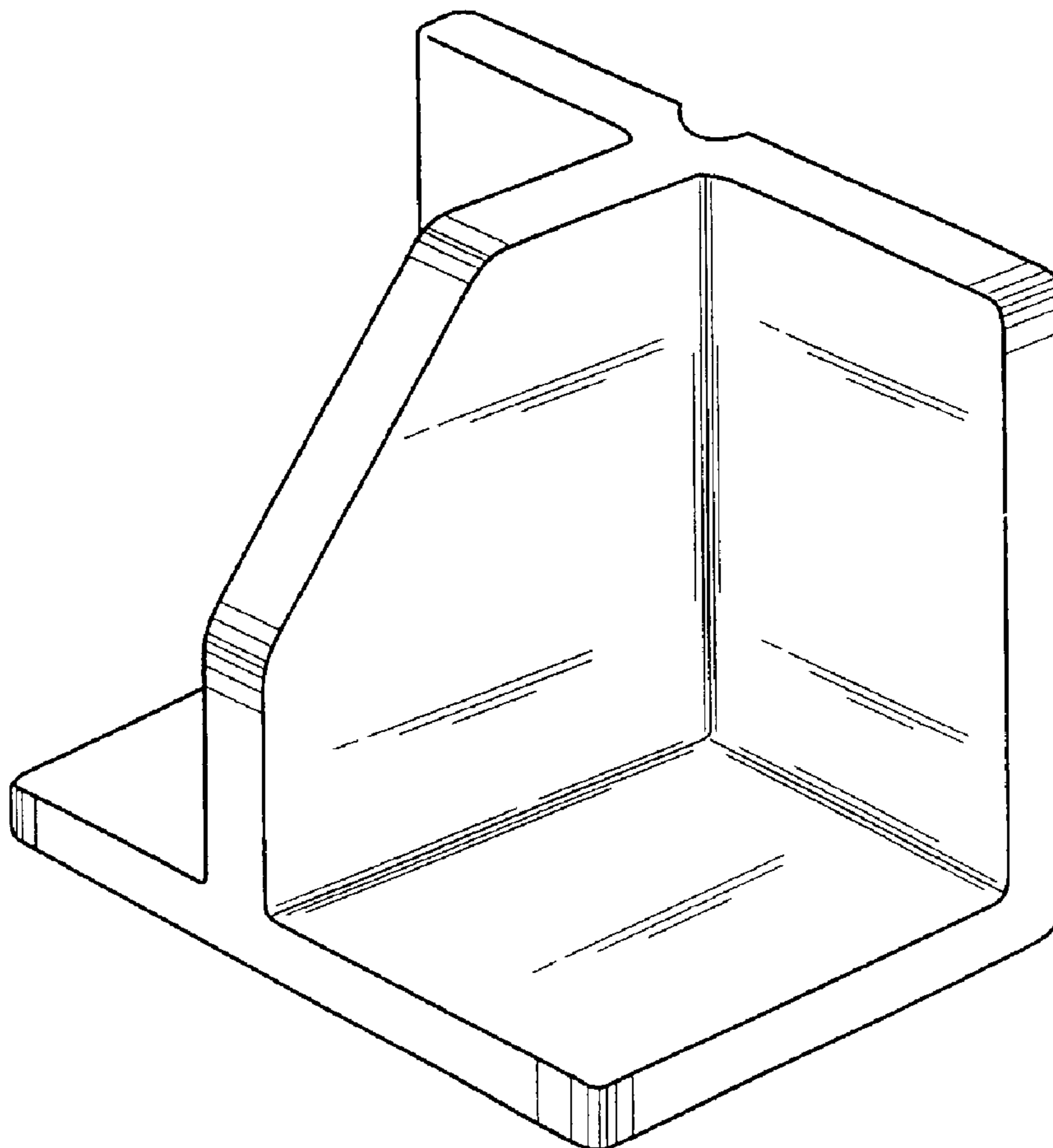
FIG. 7 is a bottom plan view thereof.

(56) **References Cited**

U.S. PATENT DOCUMENTS

1,335,842 A	4/1920	Lambert	
1,445,726 A	2/1923	Soros	
3,322,389 A	5/1967	Janin	248/345.1
5,322,257 A	6/1994	Verderose et al.	248/345.1
5,369,925 A	12/1994	Vargo	52/244

1 Claim, 4 Drawing Sheets



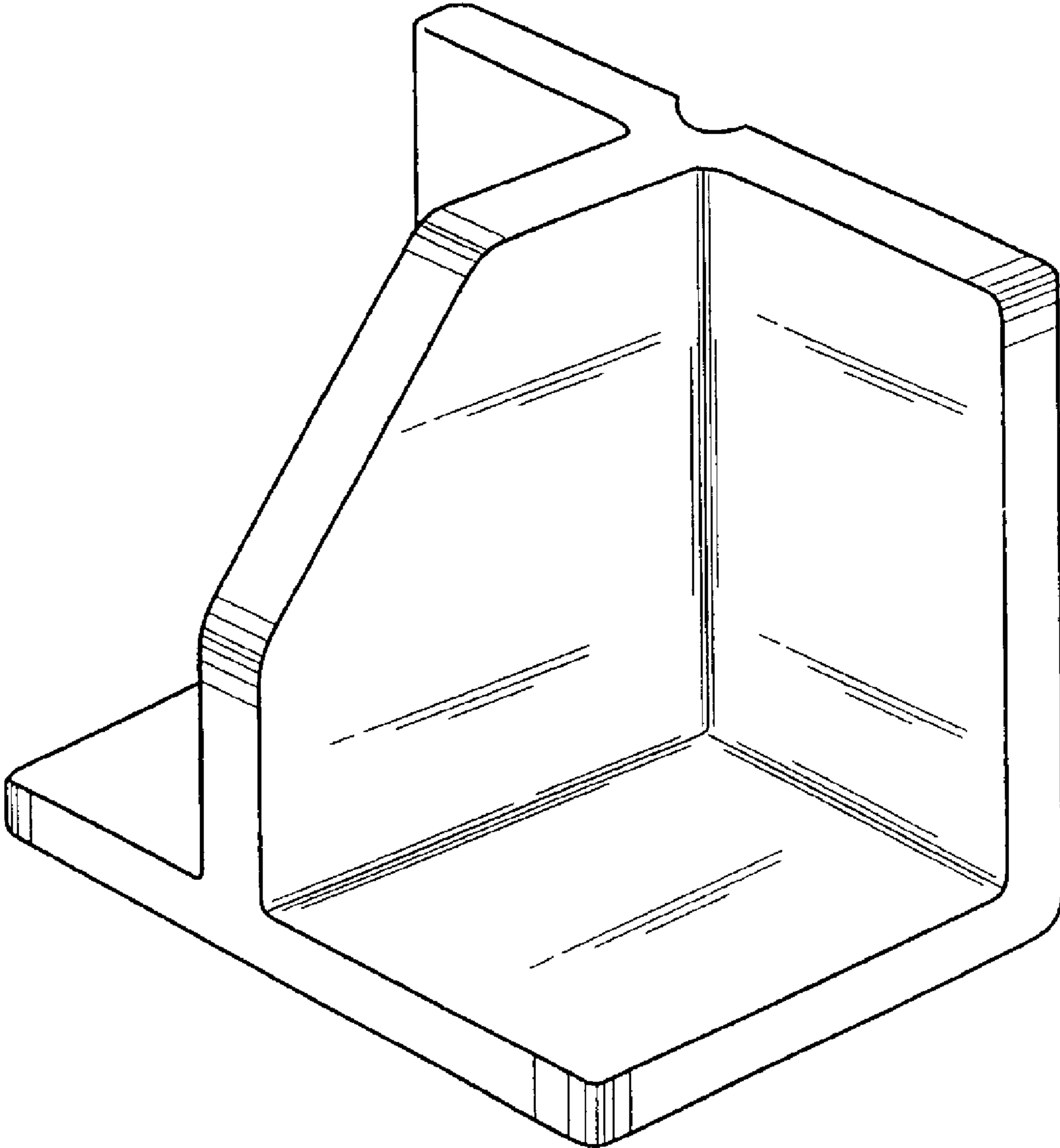


FIG. 1

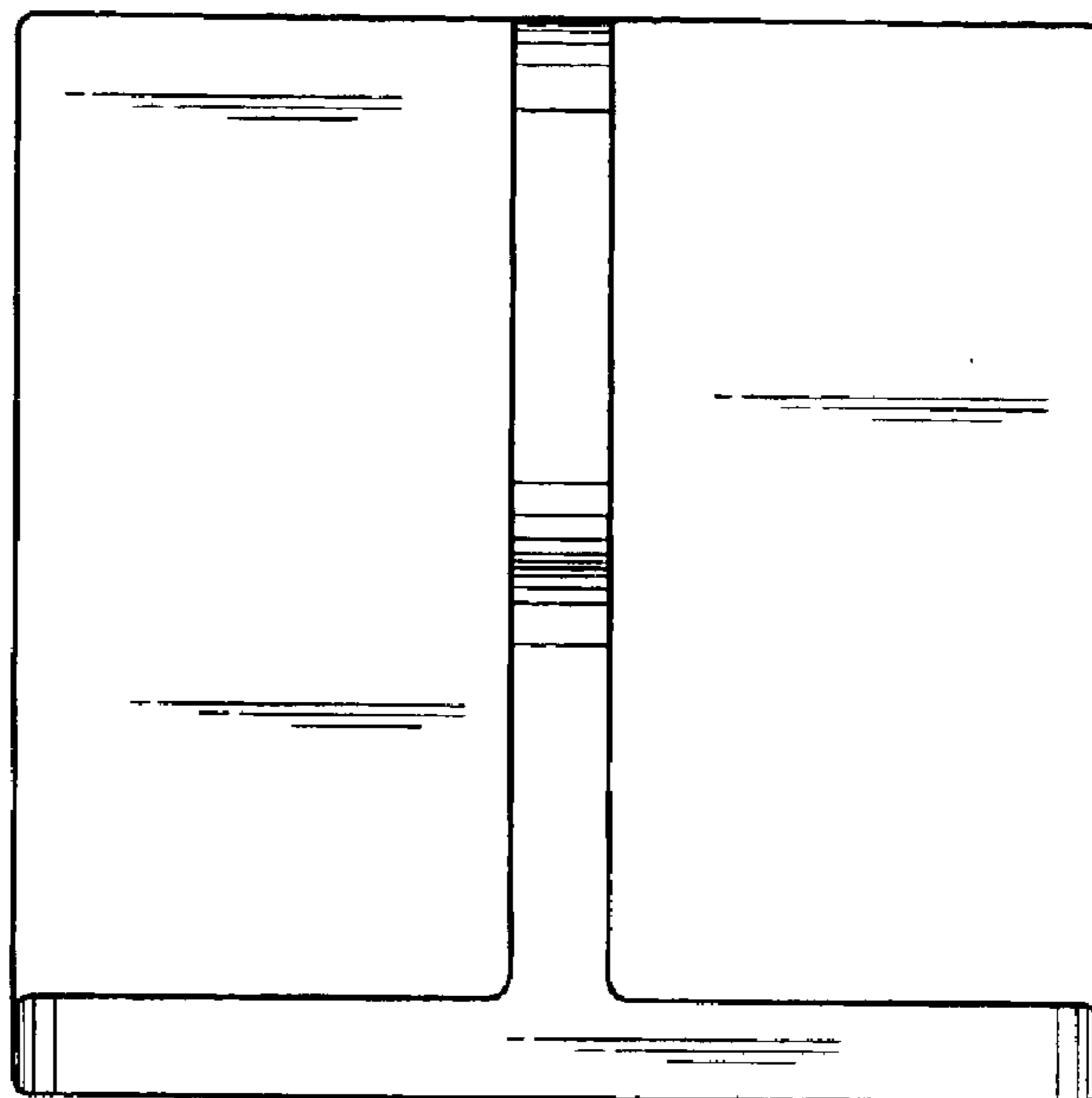


FIG. 2

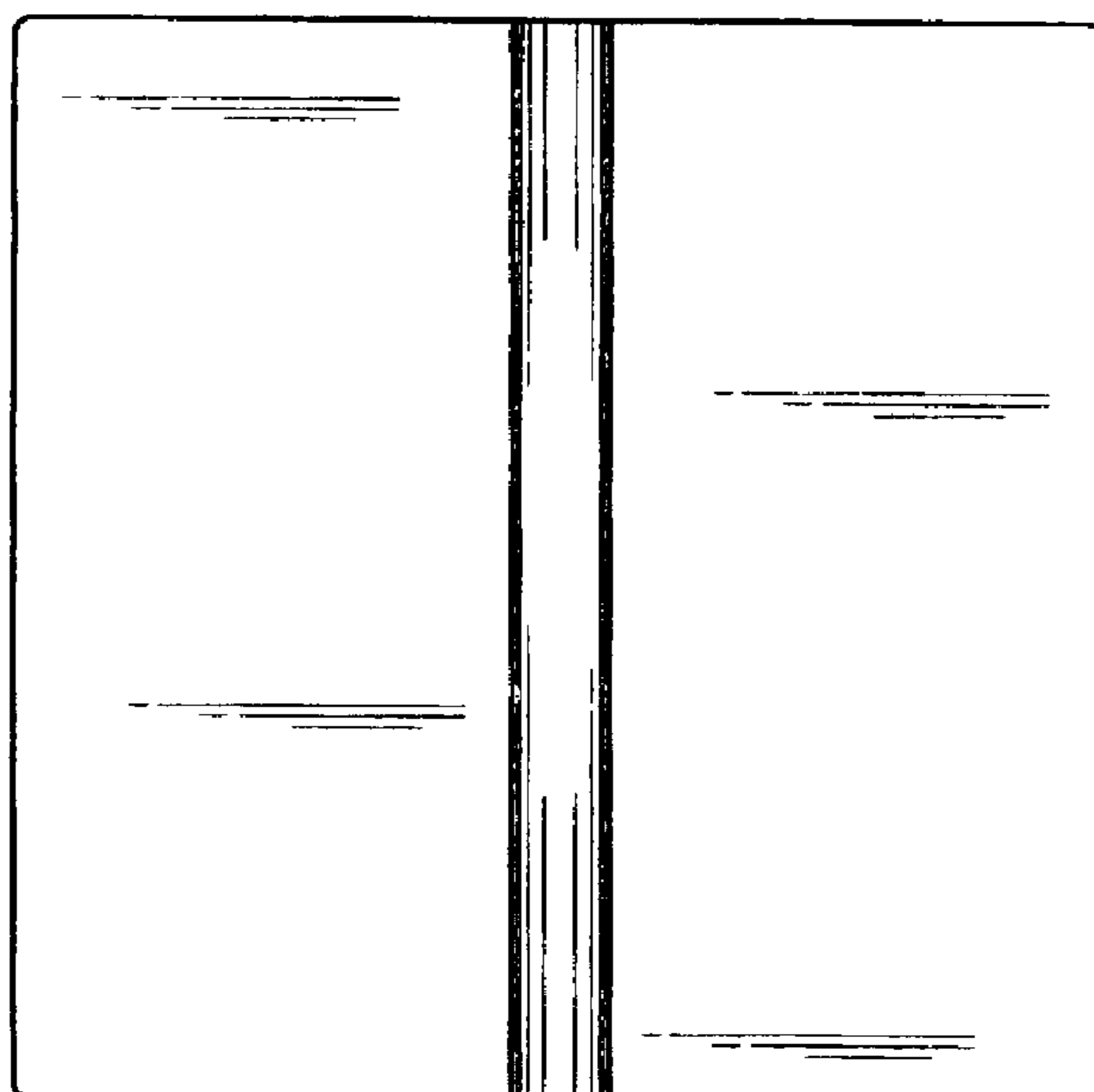


FIG. 3

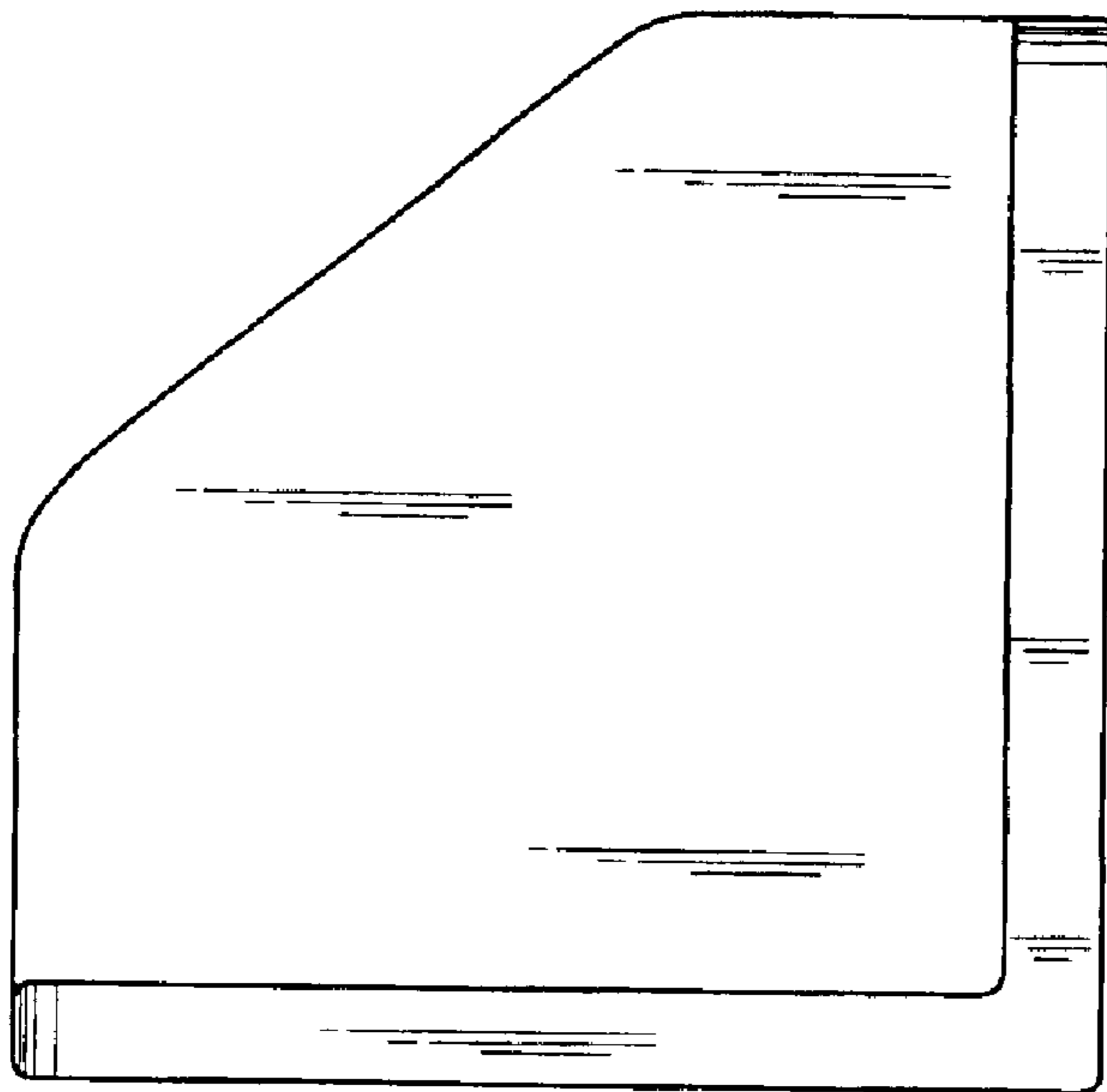


FIG. 4

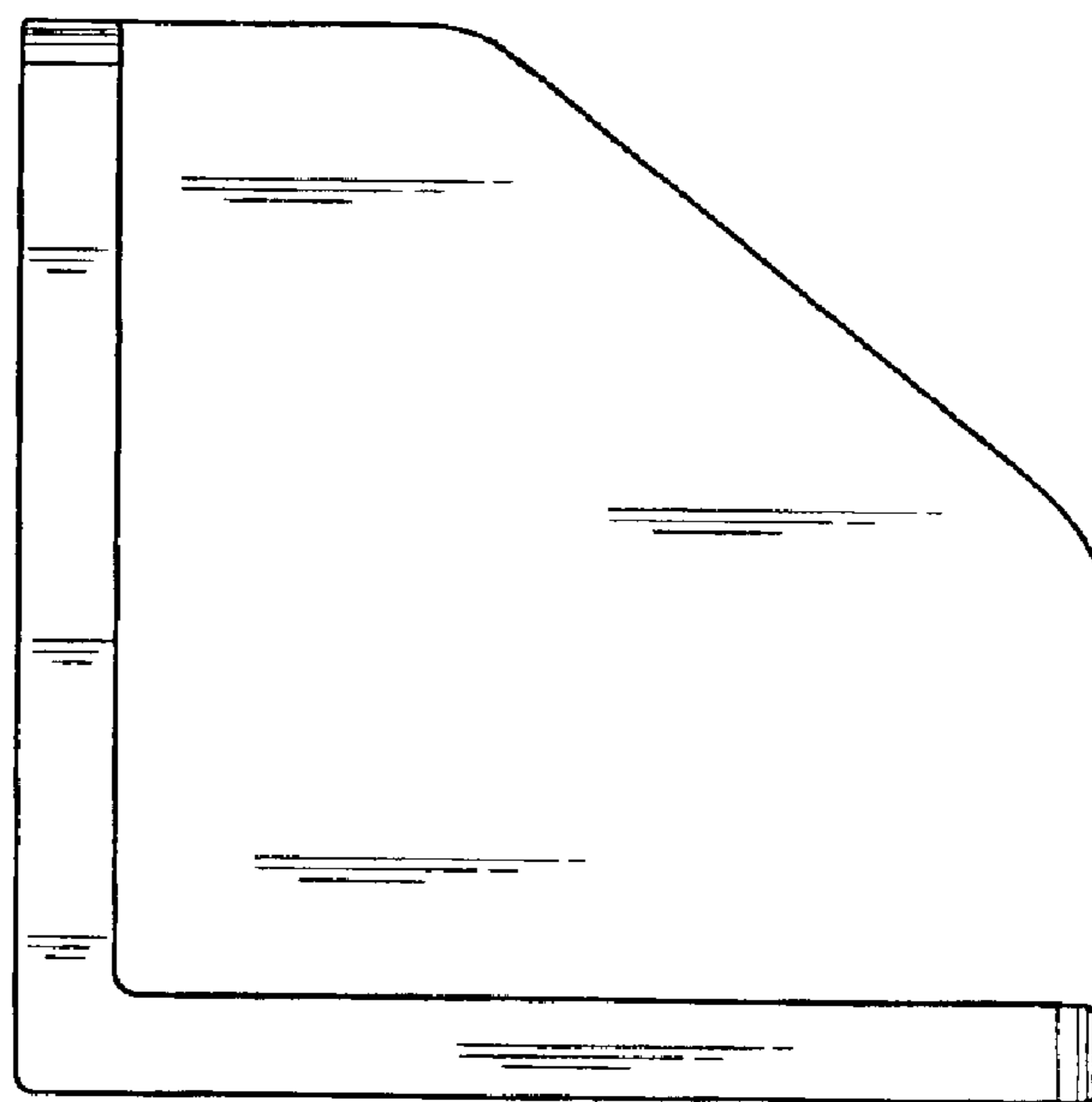


FIG. 5

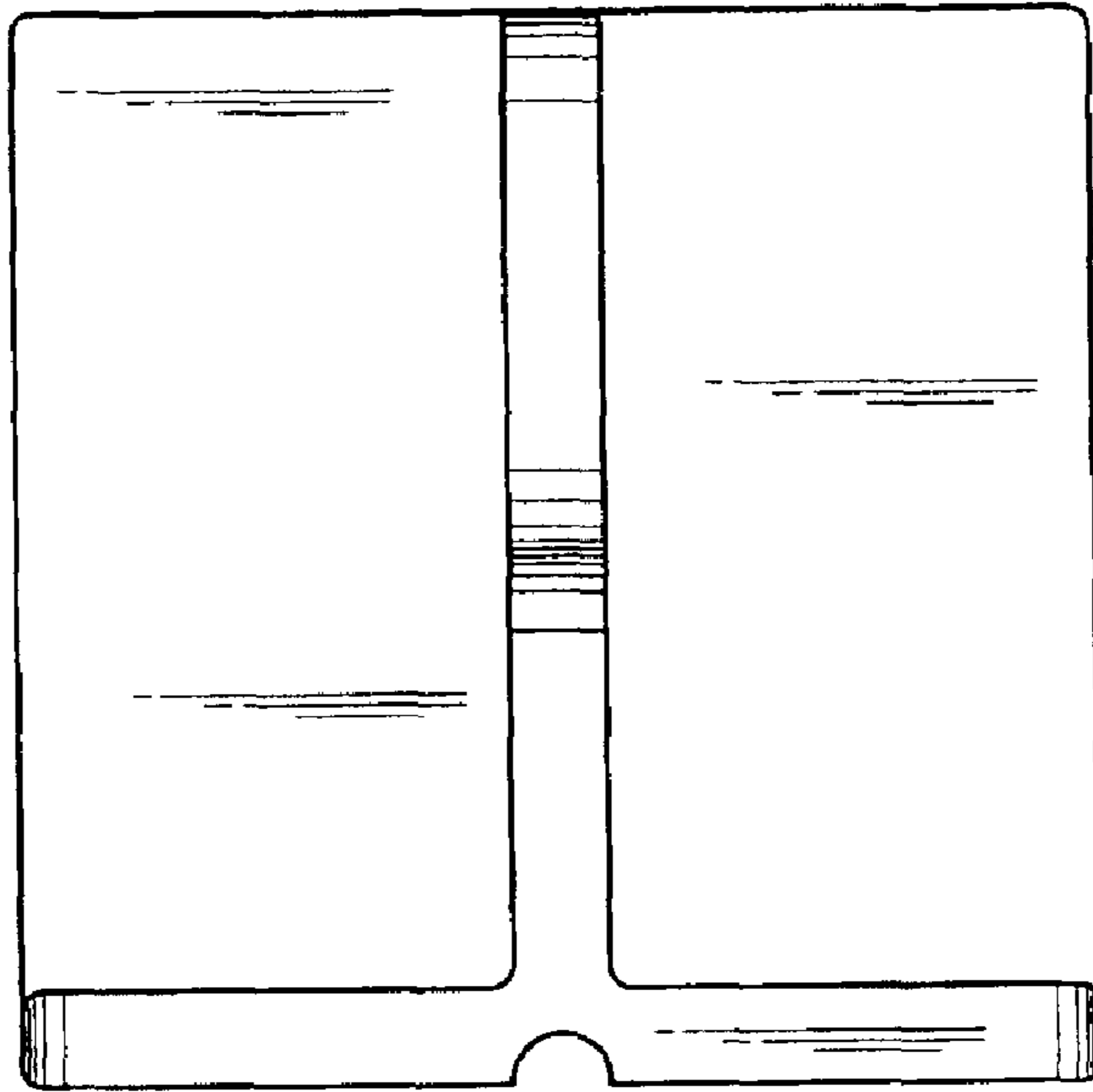


FIG. 6

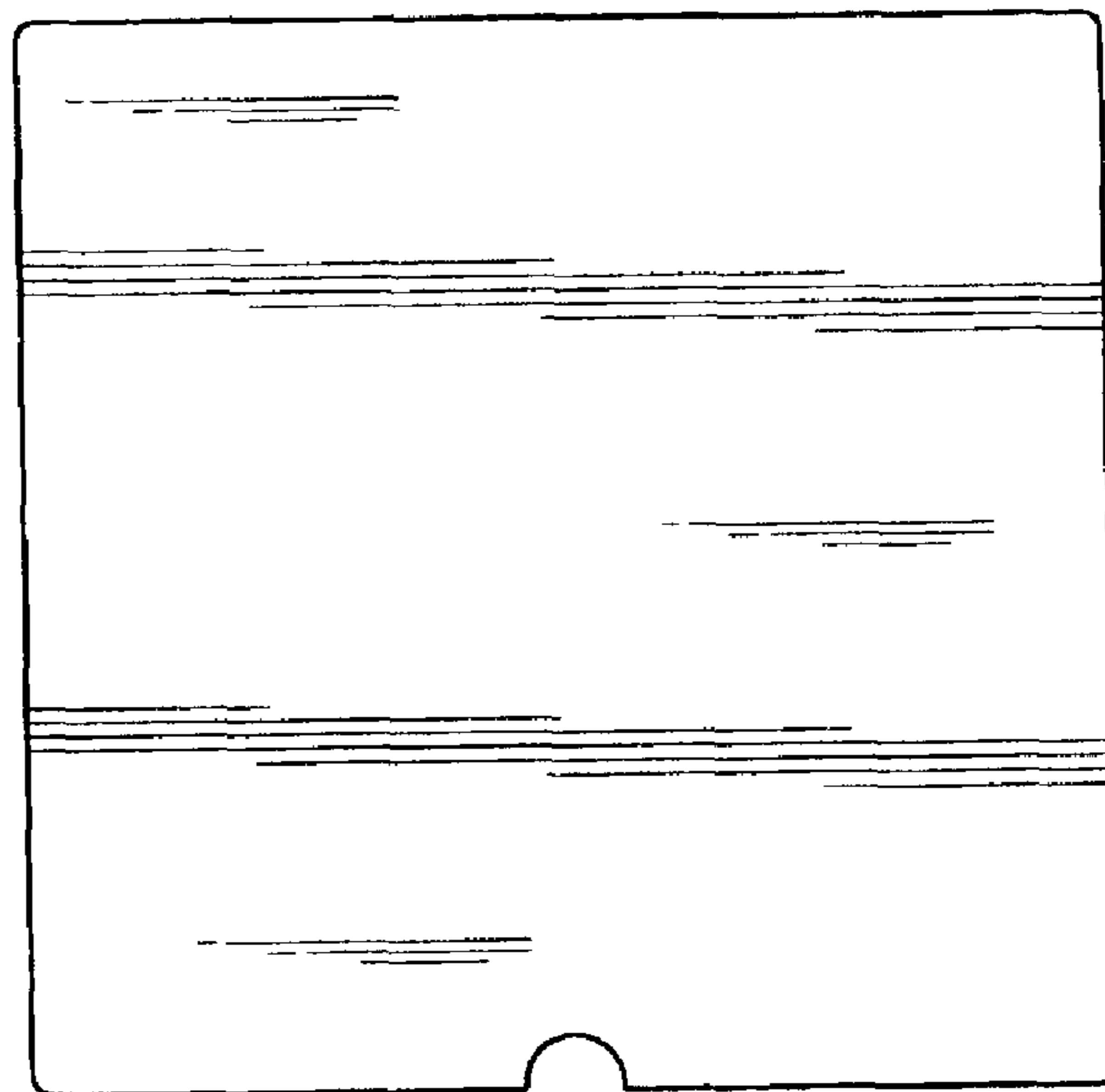


FIG. 7