



US00D523736S

(12) **United States Design Patent** (10) **Patent No.:** **US D523,736 S**  
**Lu** (45) **Date of Patent:** **\*\* Jun. 27, 2006**

(54) **BRACKET FOR PLANT HANGERS**

(74) *Attorney, Agent, or Firm*—Smith, Gambrell & Russell

(75) Inventor: **James Lu**, Cumming, GA (US)

(57) **CLAIM**

(73) Assignee: **International Business Corporation**, Alpharetta, GA (US)

The ornamental design for a bracket for plant hangers, as shown.

(\*\*) Term: **14 Years**

**DESCRIPTION**

(21) Appl. No.: **29/167,430**

FIG. 1 is a back perspective of a bracket for plant hangers in accordance with the present invention.

(22) Filed: **Sep. 13, 2002**

FIG. 2 is a frontal perspective of the bracket for plant hangers, in accordance with the present invention.

(51) **LOC (8) Cl.** ..... **08-05**

FIG. 3 is a plan view of a bracket for plant hangers in accordance with the present invention.

(52) **U.S. Cl.** ..... **D8/373**

FIG. 4 is a back elevation view of a bracket for plant hangers in accordance with the present invention.

(58) **Field of Classification Search** ..... D8/355,  
D8/367, 373; 248/301, 304, 300

FIG. 5 is a side elevation view of a bracket for plant hangers in accordance with the present invention.

See application file for complete search history.

FIG. 6 is a bottom view of a bracket for plant hangers in accordance with the present invention.

(56) **References Cited**

**U.S. PATENT DOCUMENTS**

D74,864 S \* 4/1928 Crawford ..... D8/355  
4,363,459 A \* 12/1982 Holzer ..... 248/265

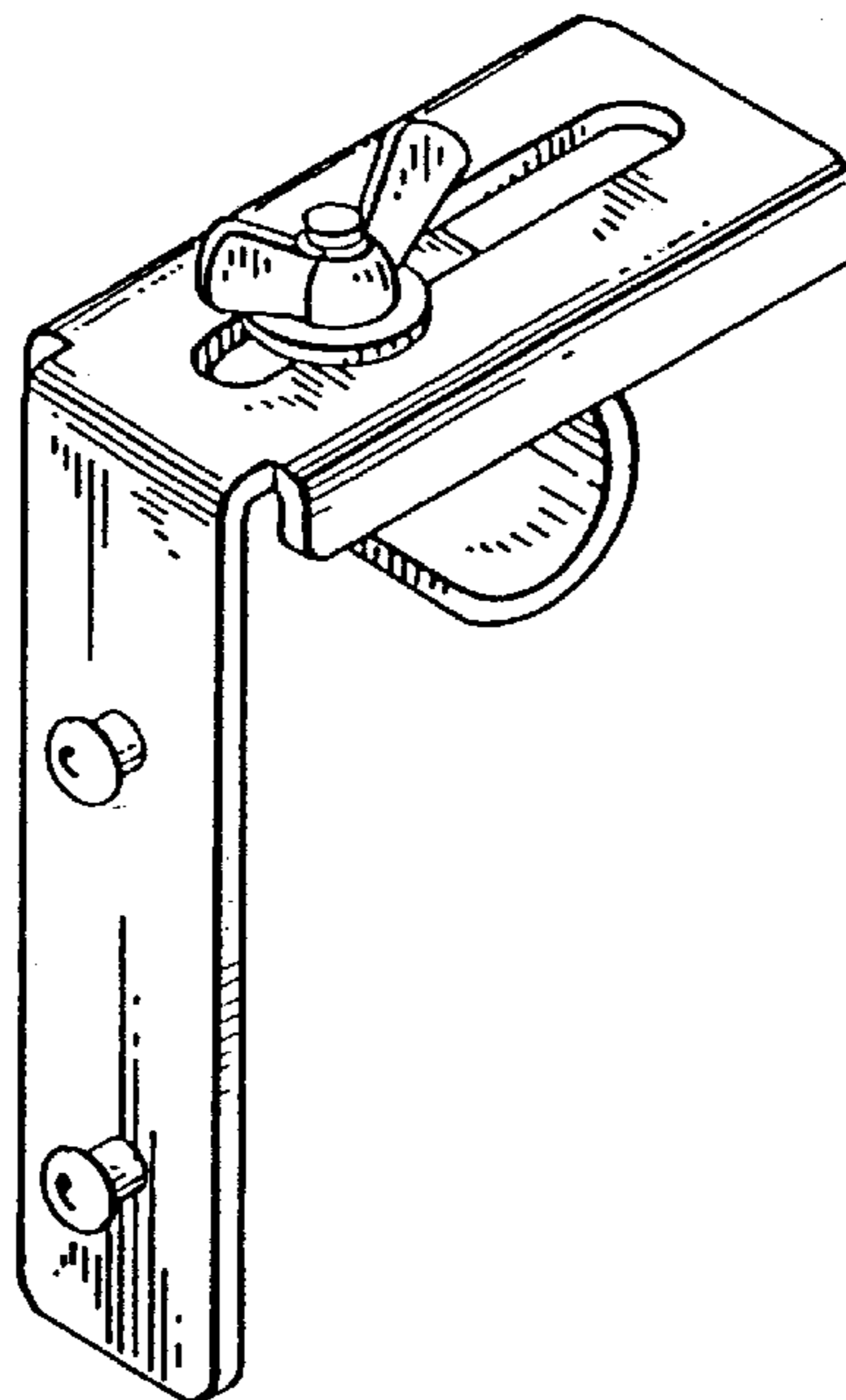
FIG. 7 is a front elevation view of a bracket for plant hangers in accordance with the present invention; and,

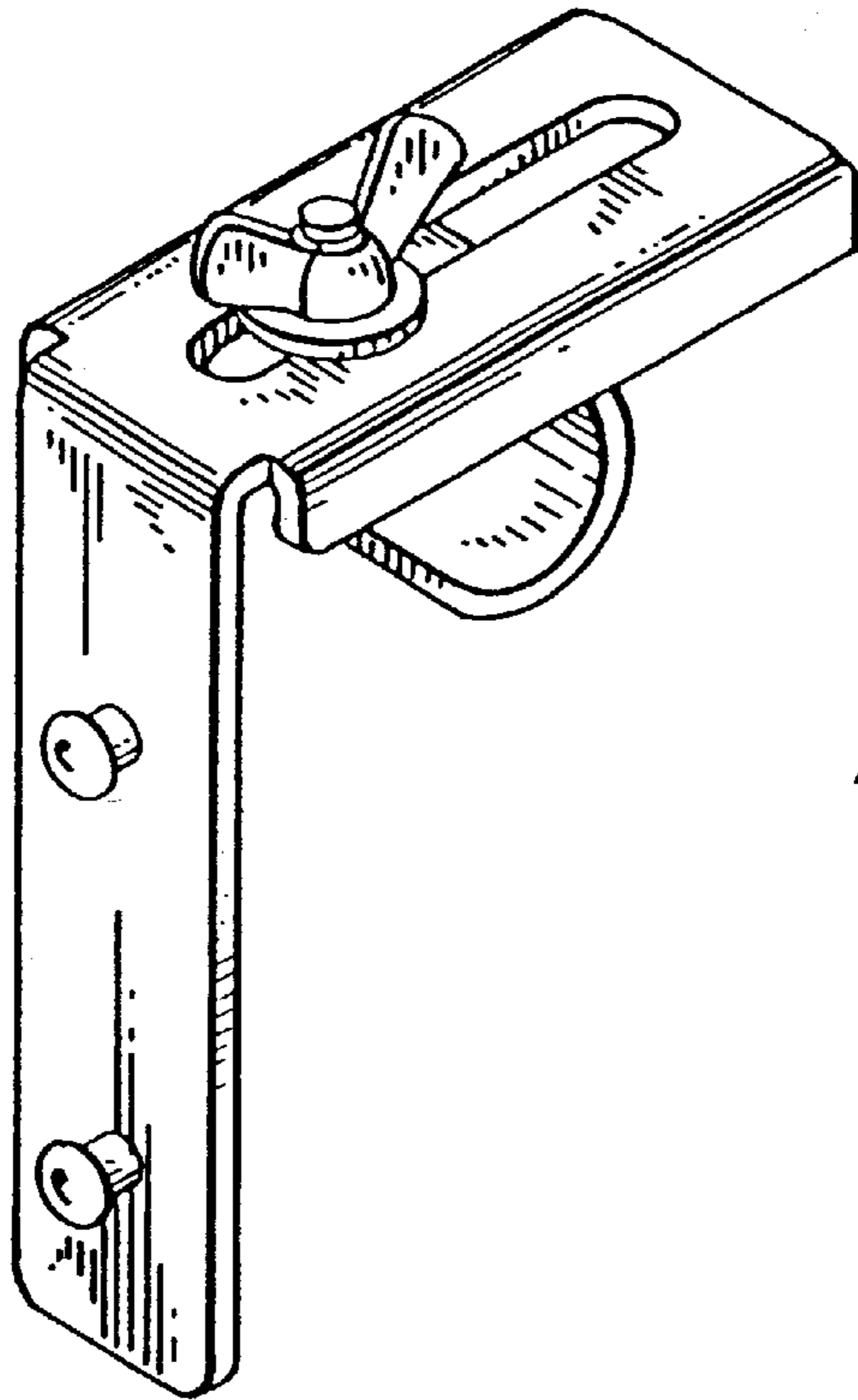
FIG. 8 is an opposite side elevation view of a bracket for plant hangers in accordance with the present invention.

\* cited by examiner

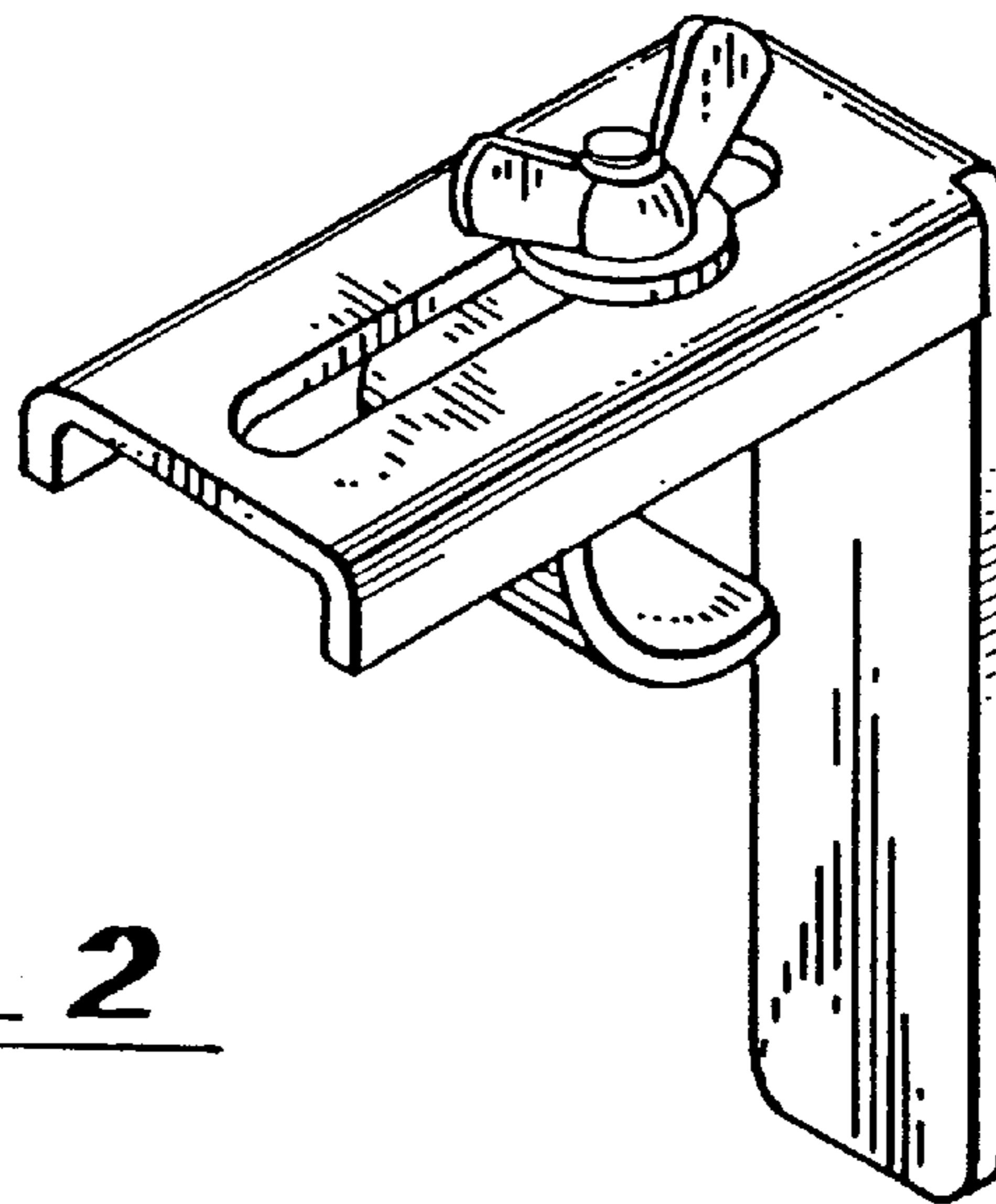
**1 Claim, 3 Drawing Sheets**

*Primary Examiner*—Holly Baynham

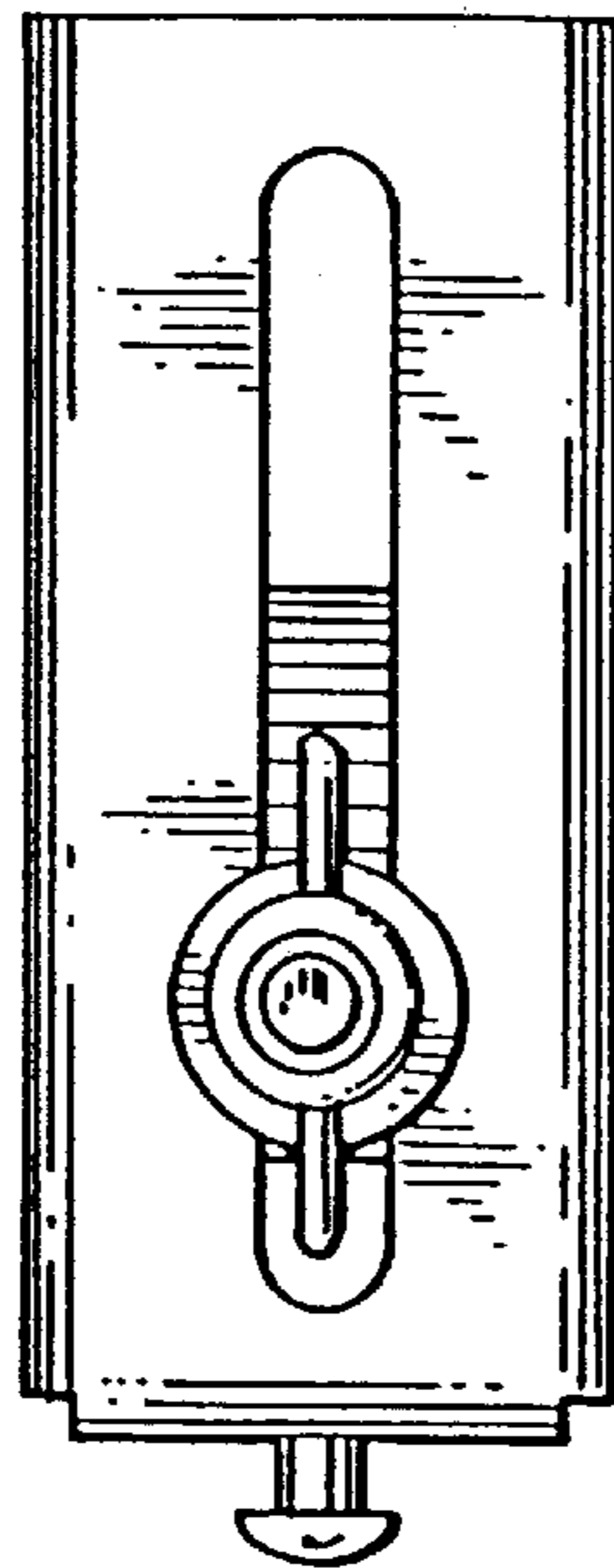




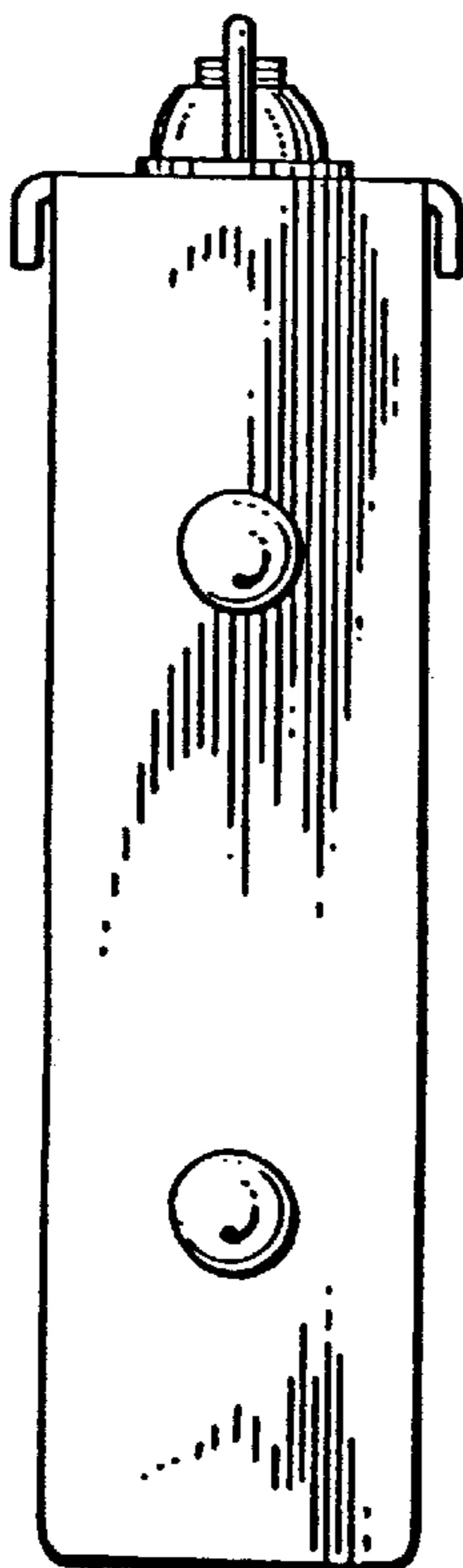
**Fig. 1**



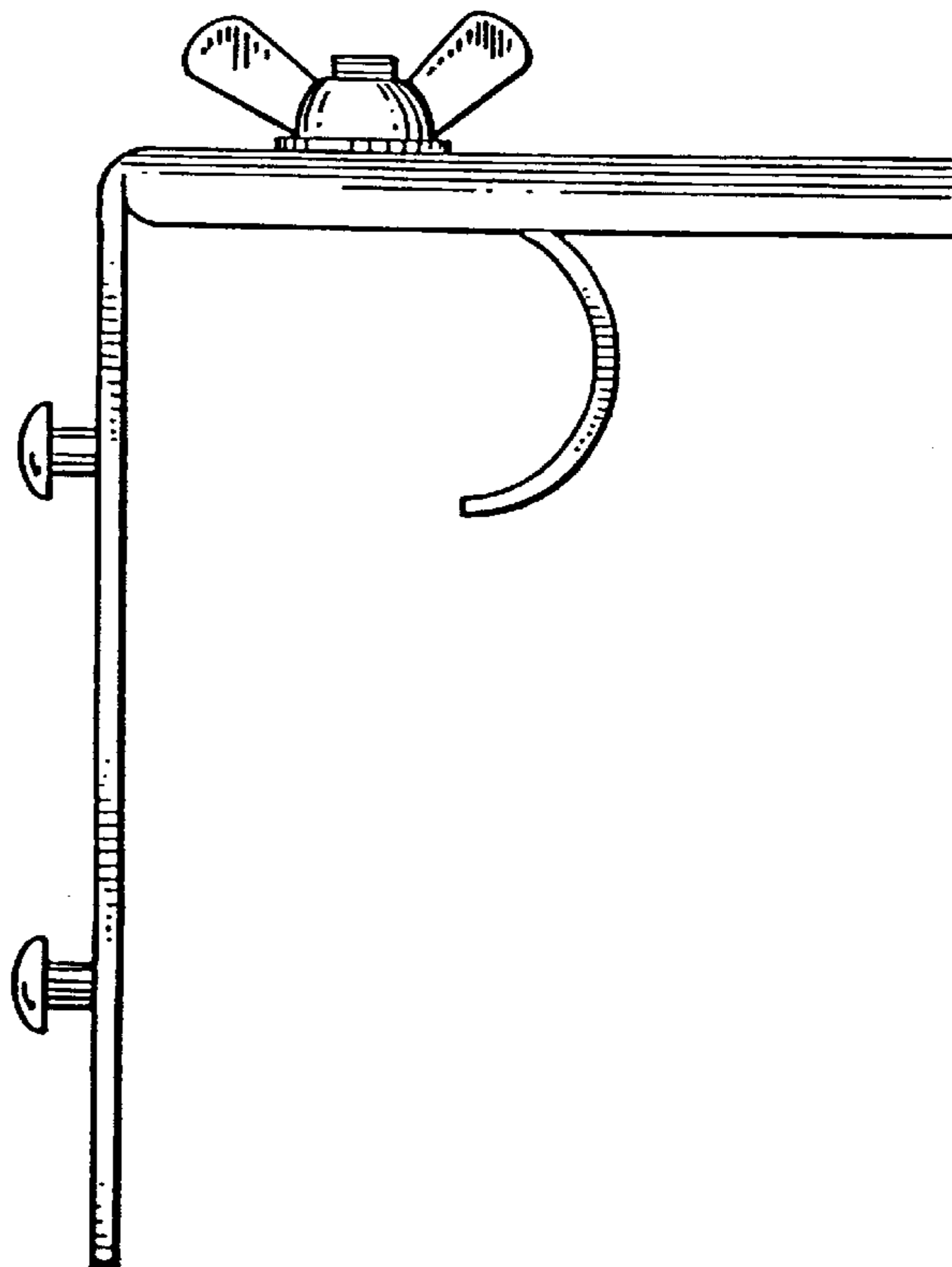
**Fig. 2**



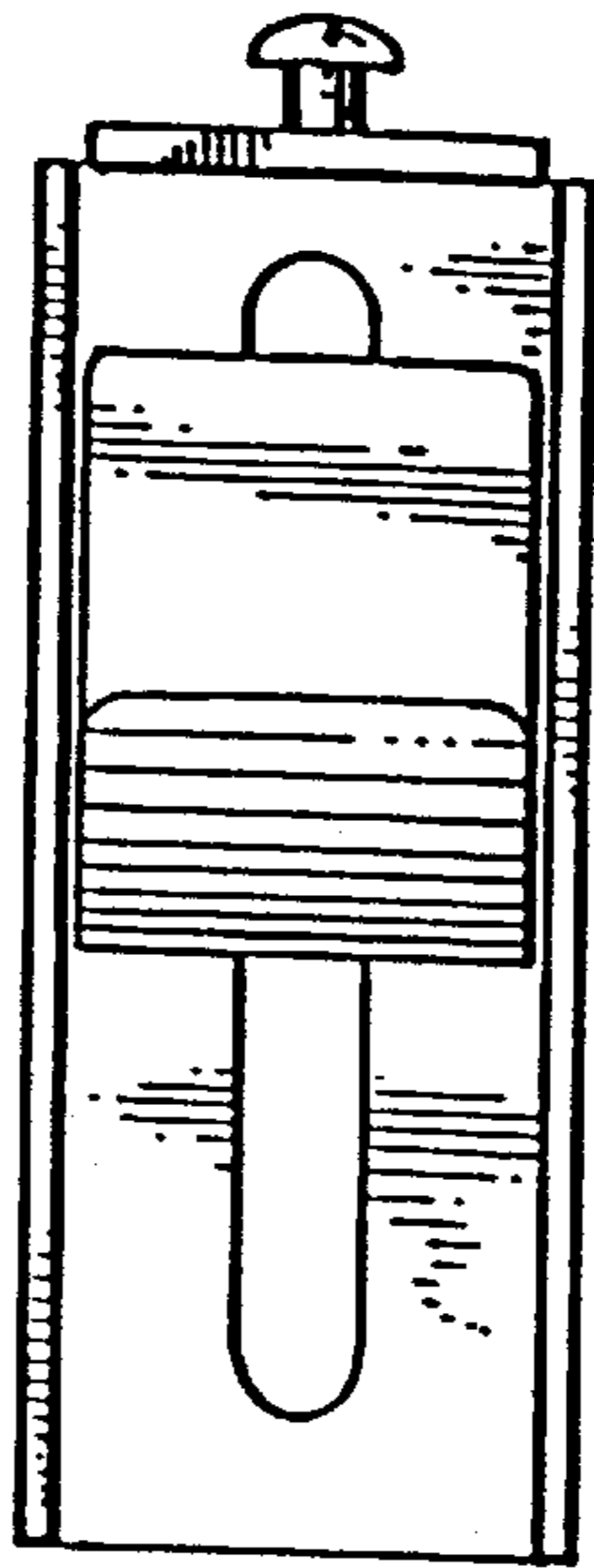
**Fig. 3**



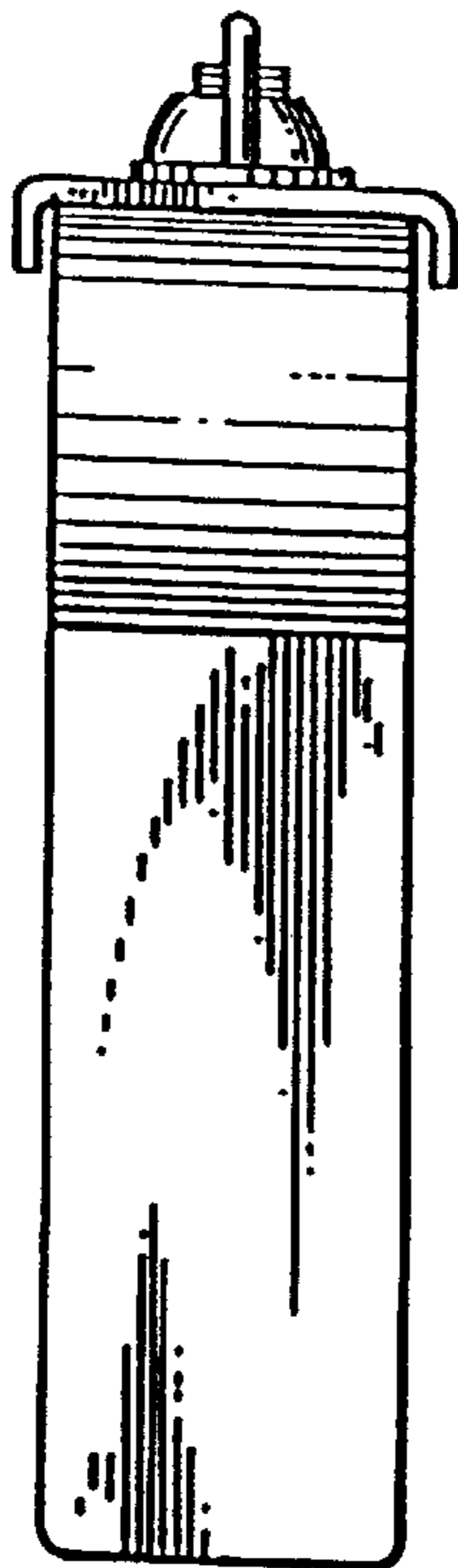
**Fig. 4**



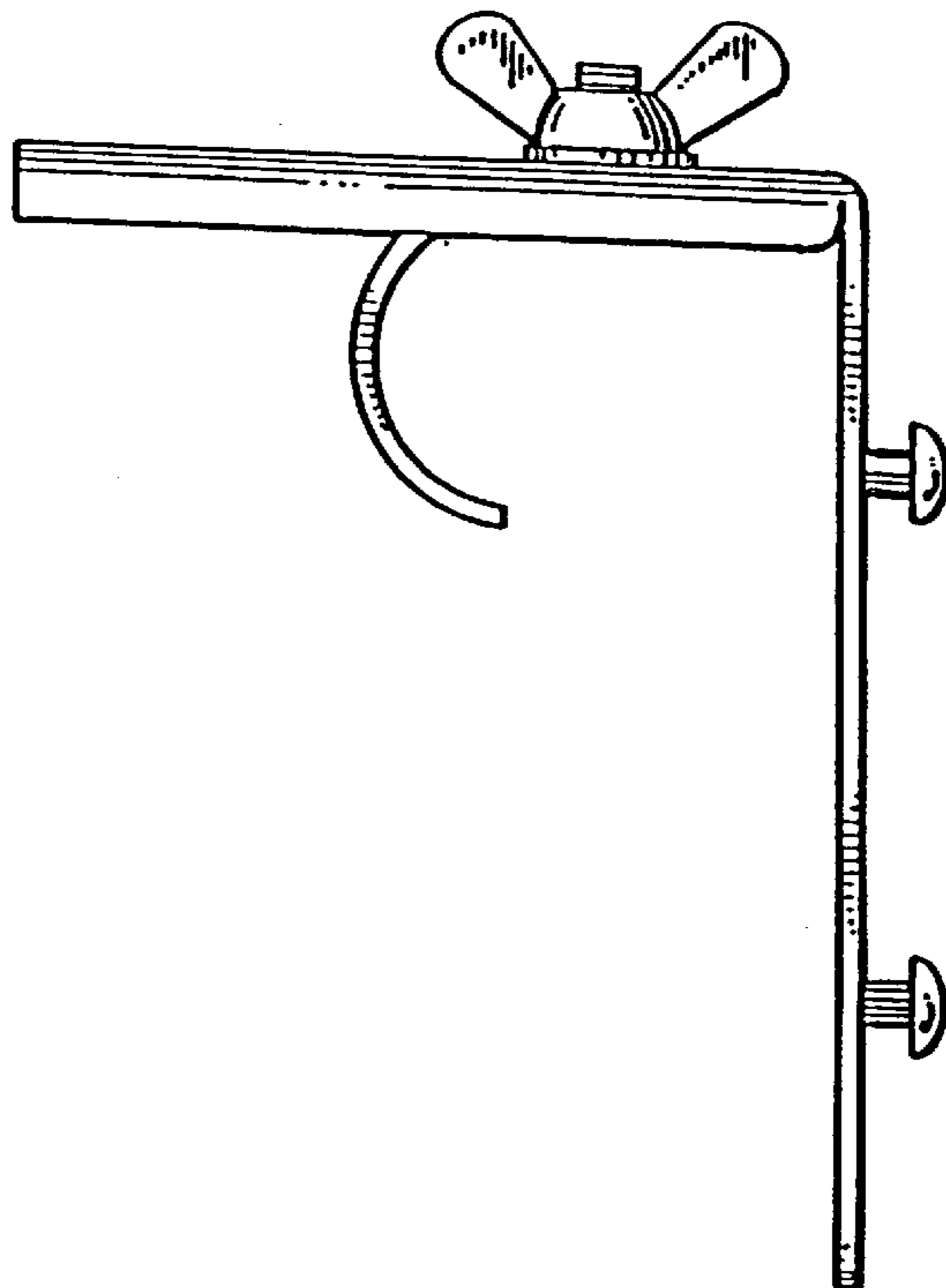
**Fig. 5**



*Fig. 6*



*Fig. 7*



*Fig. 8*