



US00D523735S

(12) **United States Design Patent**  
**Craine**

(10) **Patent No.:** **US D523,735 S**

(45) **Date of Patent:** **\*\* Jun. 27, 2006**

(54) **ROOF TO WALL BRACKET**

(76) Inventor: **Keith E. Craine**, 1131 N. 3rd St.,  
Coeur'd Alene, ID (US) 83814

(\*\*) Term: **14 Years**

(21) Appl. No.: **29/205,385**

(22) Filed: **May 13, 2004**

(51) **LOC (8) Cl.** ..... **08-05**

(52) **U.S. Cl.** ..... **D8/354**

(58) **Field of Classification Search** ..... D8/349,  
D8/354, 380; 248/300, 237; 52/745.06, 189  
See application file for complete search history.

(56) **References Cited**

**U.S. PATENT DOCUMENTS**

1,848,085	A	*	3/1932	Eisenschmidt	.....	403/187
2,686,848	A	*	8/1954	Wicknick	.....	379/450
3,216,160	A	*	11/1965	Best	.....	52/189
D256,663	S	*	9/1980	Gilb	.....	D8/354

D492,889 S 7/2004 Craine ..... D8/354  
2002/0112439 A1 \* 8/2002 Rosas ..... 52/712

\* cited by examiner

*Primary Examiner*—Holly H. Baynham

(74) *Attorney, Agent, or Firm*—Dean A. Craine

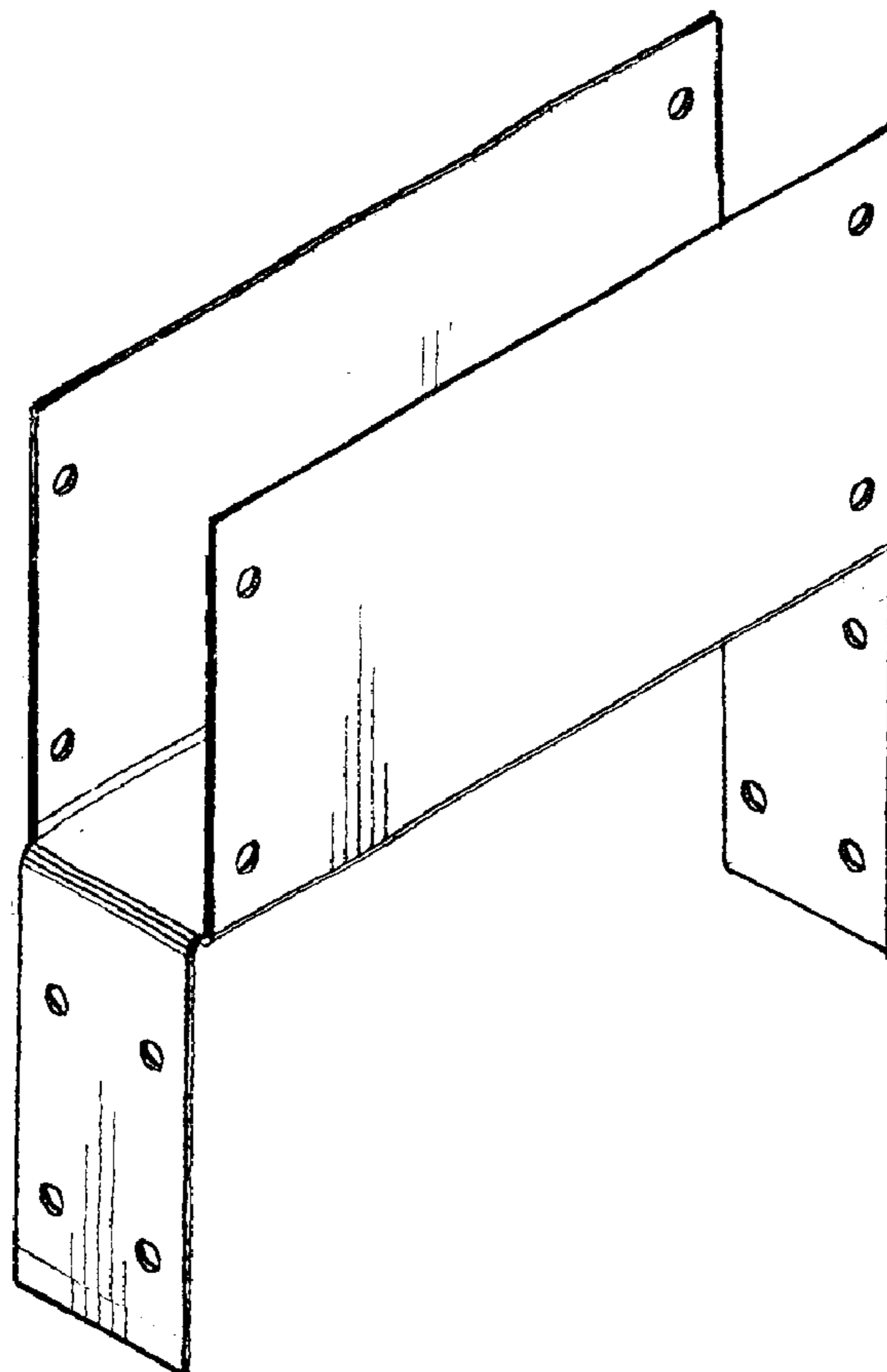
(57) **CLAIM**

The ornamental design for a roof to wall bracket, as shown and described.

**DESCRIPTION**

FIG. 1 is a perspective view of a roof to wall bracket  
FIG. 2 is a right side elevational view of the invention.  
FIG. 3 is a left side elevational view of the invention.  
FIG. 4 is a top plan view of the invention.  
FIG. 5 is a bottom plan view of the invention.  
FIG. 6 is a rear elevational view of the invention; and,  
FIG. 7 is a front elevational view of the invention.

**1 Claim, 2 Drawing Sheets**



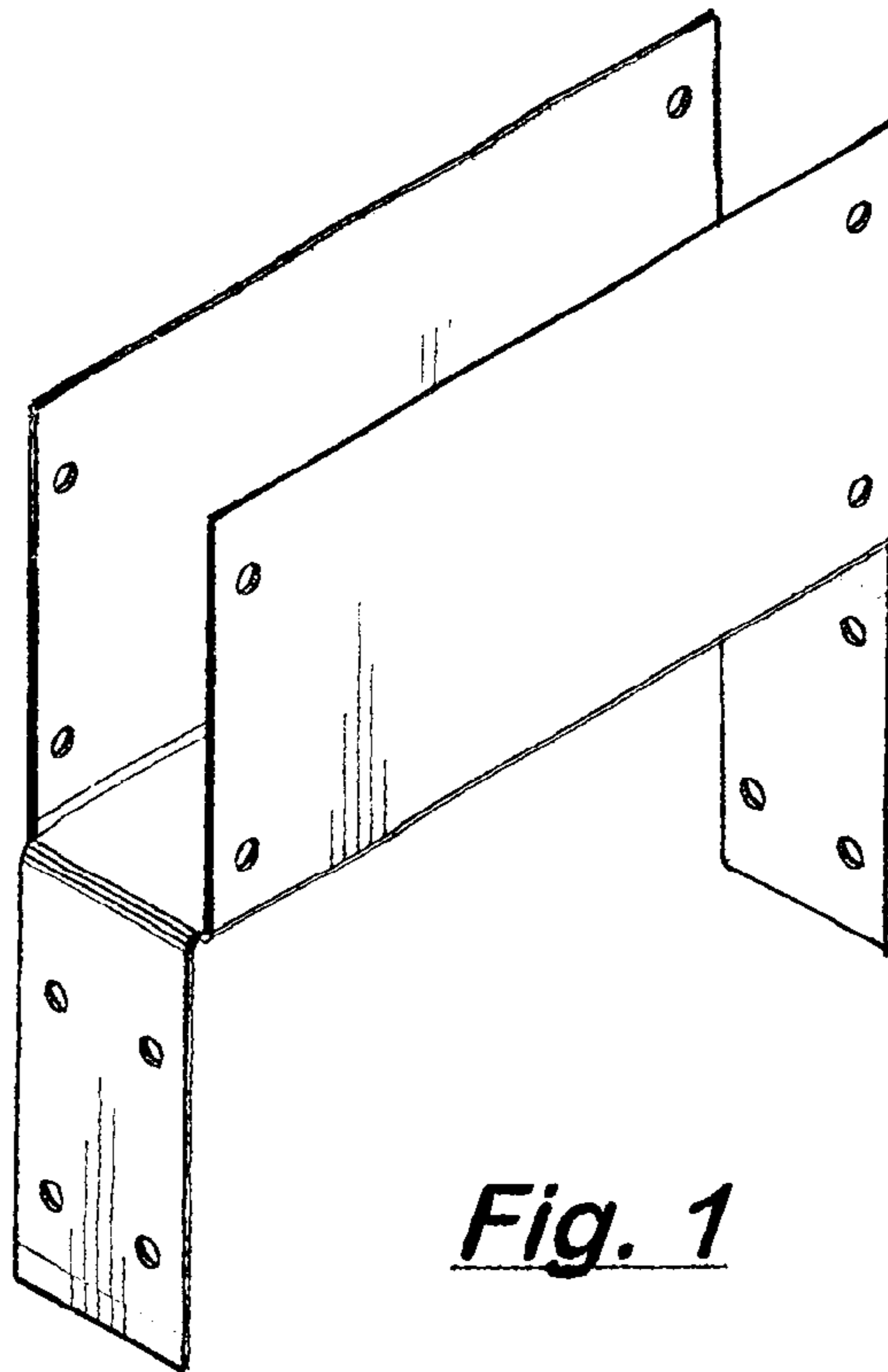


Fig. 1

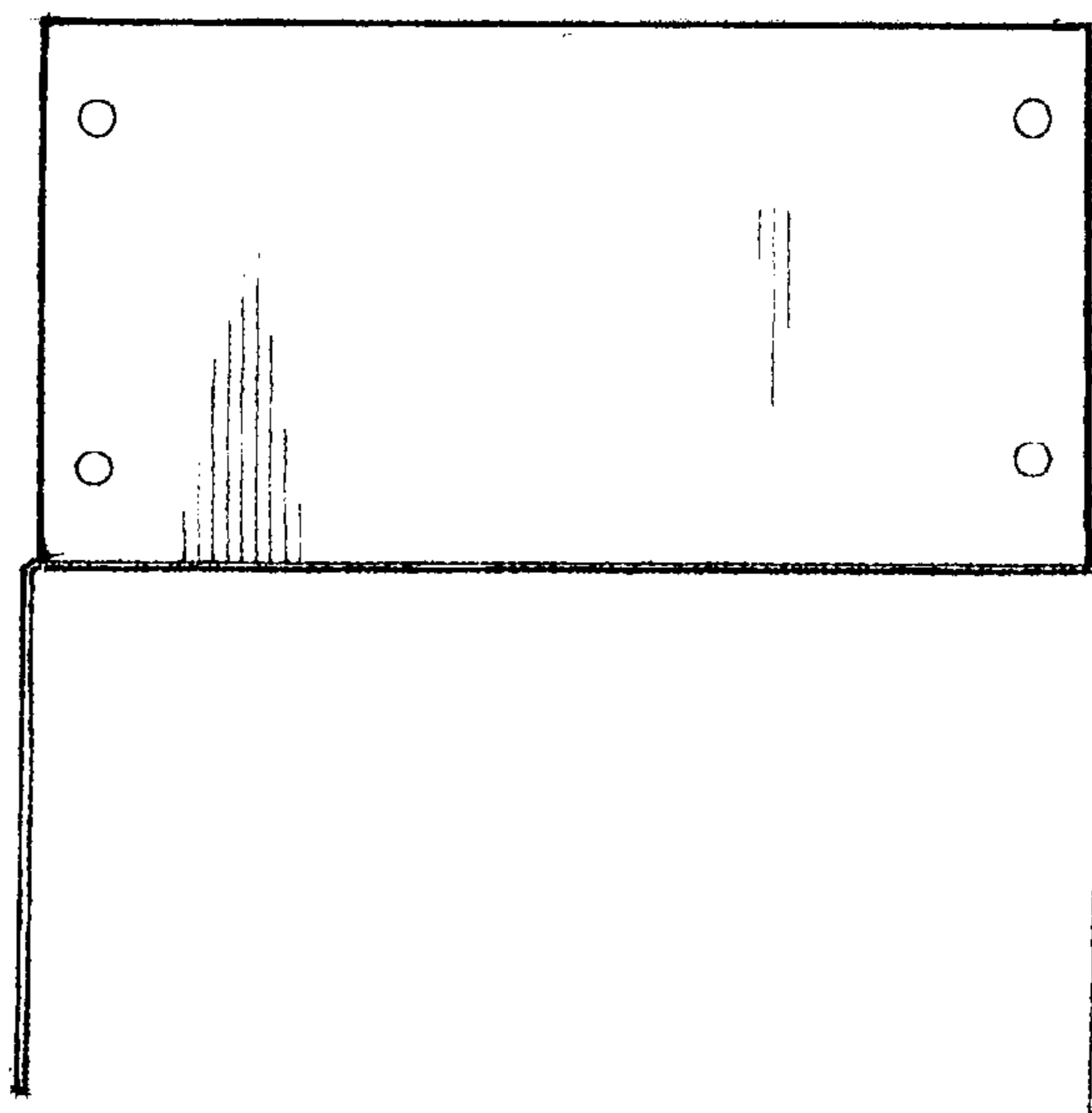
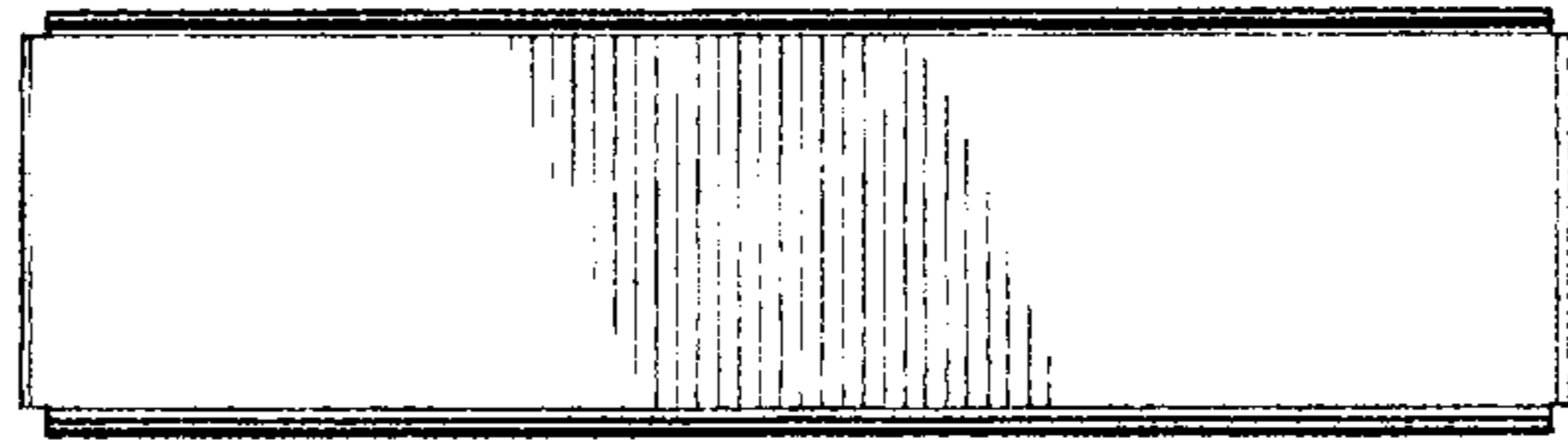
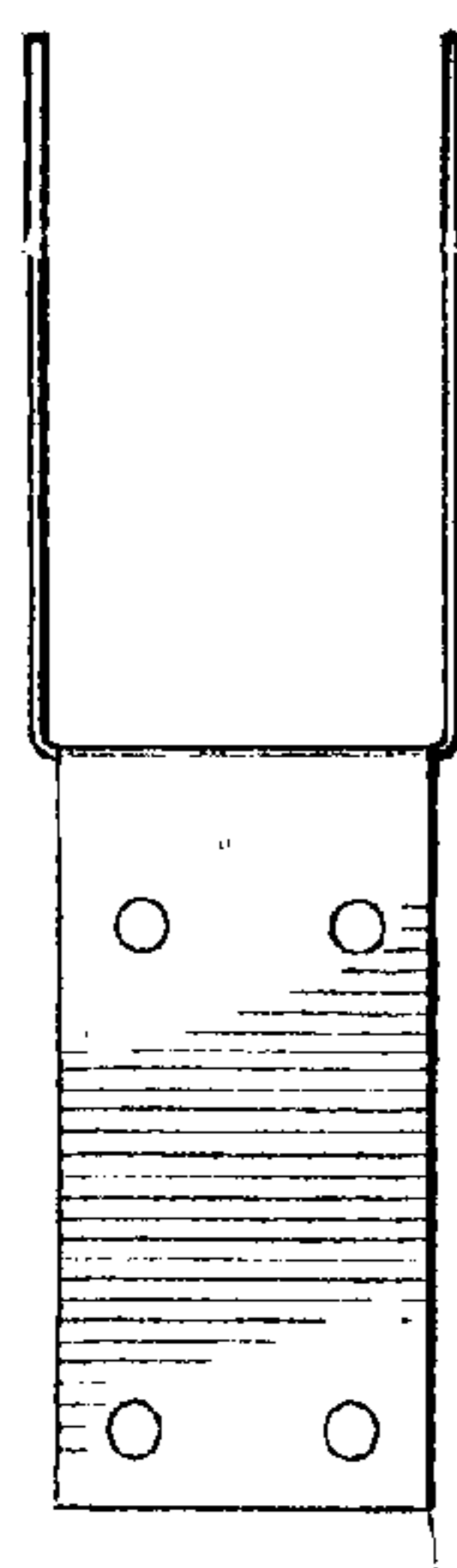


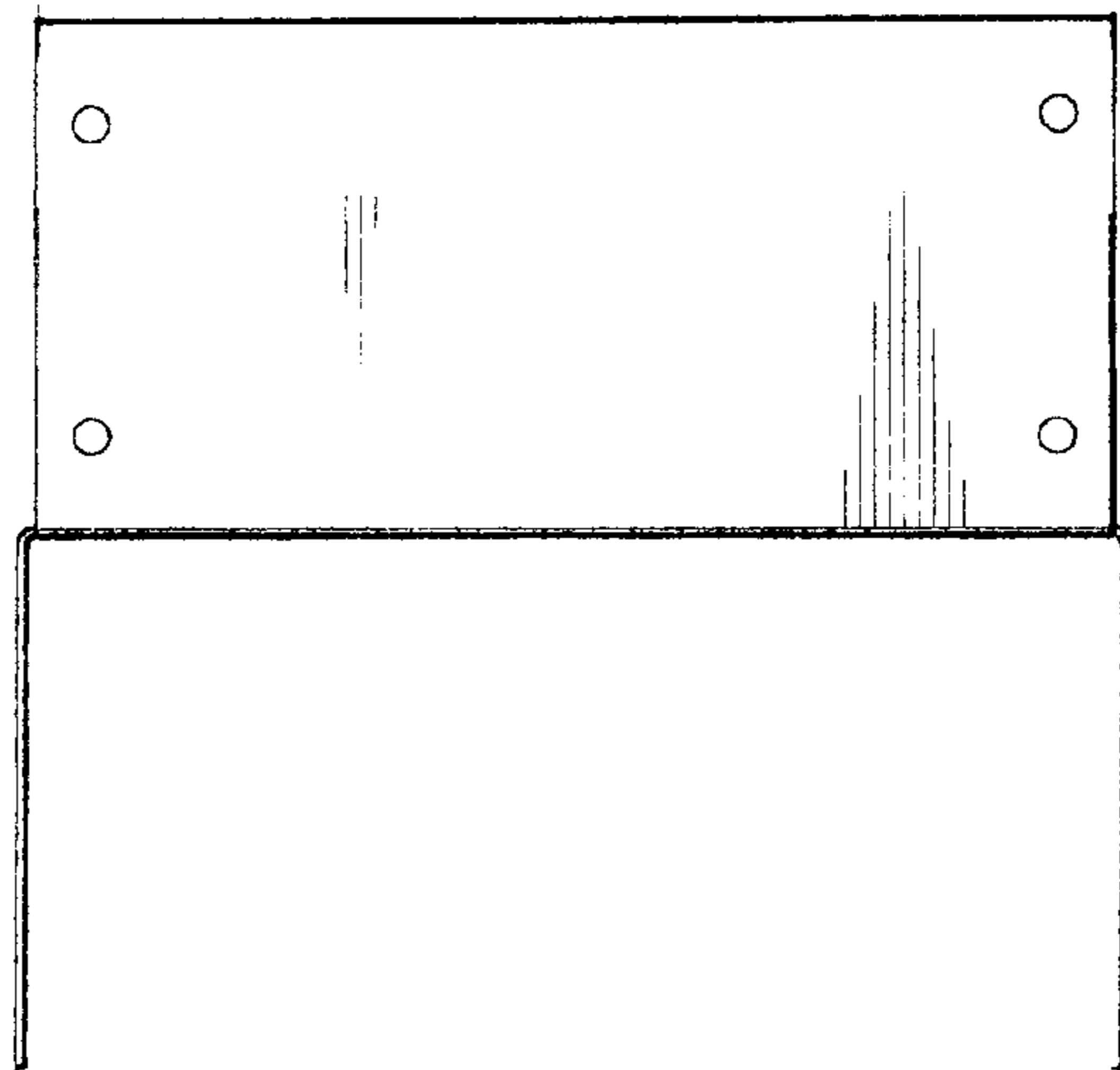
Fig. 2



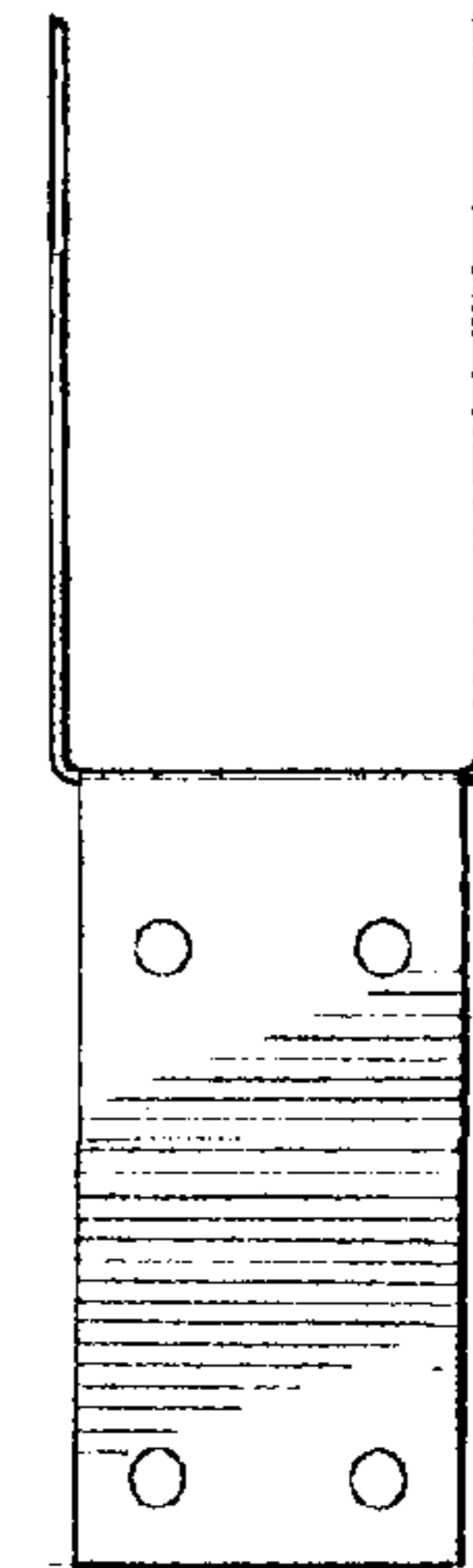
*Fig. 4*



*Fig. 6*



*Fig. 3*



*Fig. 7*



*Fig. 5*