



US00D523734S

(12) **United States Design Patent**  
**Calaicone**

(10) **Patent No.:** **US D523,734 S**  
(45) **Date of Patent:** **\*\* Jun. 27, 2006**

(54) **BUCKET BRACKET**

(76) Inventor: **Frederick J. Calaicone**, 1830 Big Haynes Ct., Grayson, GA (US) 30017

(\*\*) Term: **14 Years**

(21) Appl. No.: **29/204,909**

(22) Filed: **May 6, 2004**

(51) **LOC (8) Cl.** ..... **08-05**

(52) **U.S. Cl.** ..... **D8/354**

(58) **Field of Classification Search** ..... D8/354,  
D8/373; 248/210-211, 213.2

See application file for complete search history.

(56) **References Cited**

**U.S. PATENT DOCUMENTS**

3,313,507 A \* 4/1967 Belli ..... 248/211

D333,085 S \* 2/1993 Thomsen ..... D8/373

**FOREIGN PATENT DOCUMENTS**

DE 29711030 U \* 11/1997

\* cited by examiner

*Primary Examiner*—Holly H. Baynham  
(74) *Attorney, Agent, or Firm*—Myers & Kaplan, LLC;  
Greg O’Bradovich, Esq.; Barry E. Kaplan, Esq.

(57) **CLAIM**

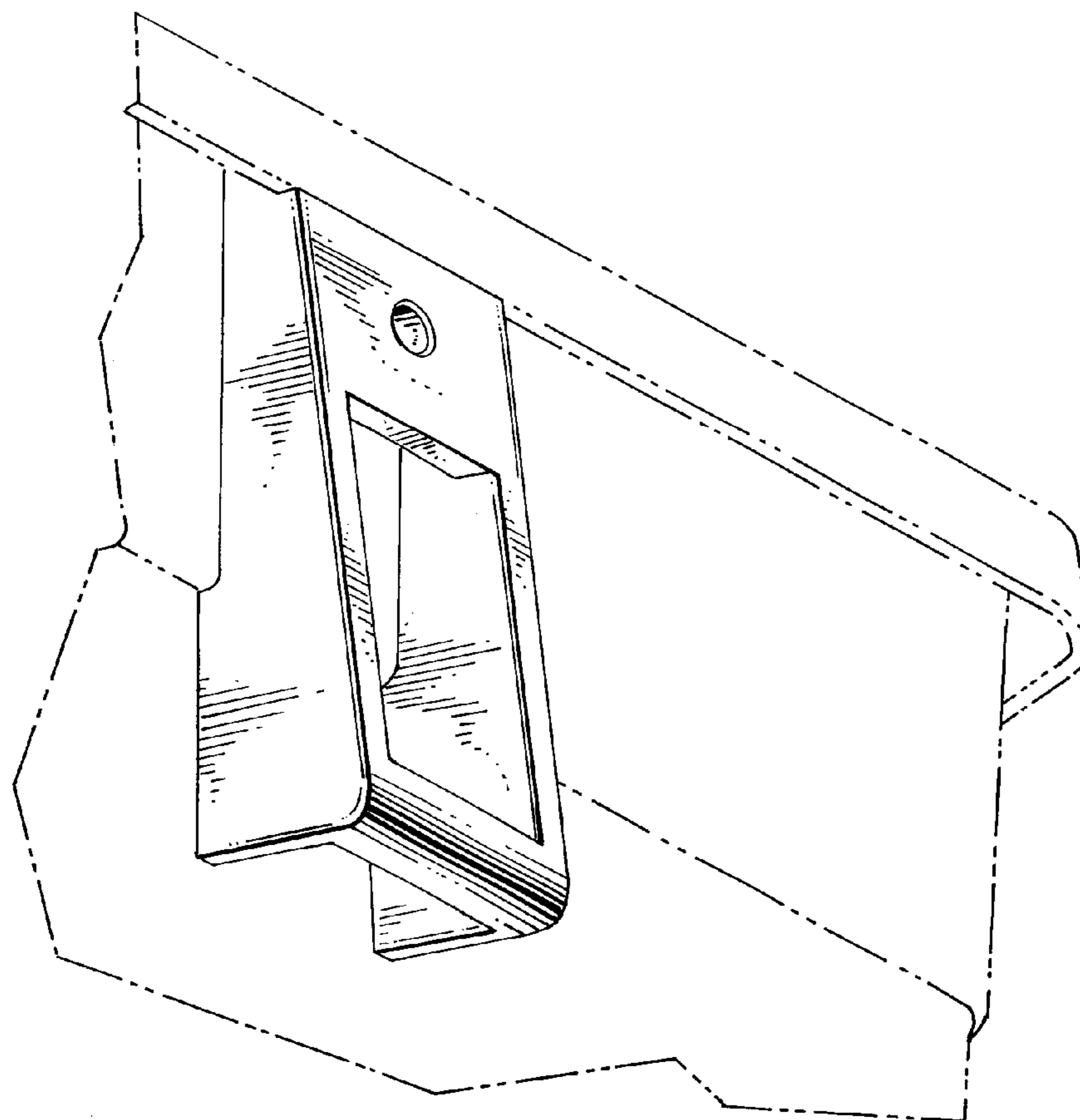
The ornamental design for a bucket bracket, as shown and described.

**DESCRIPTION**

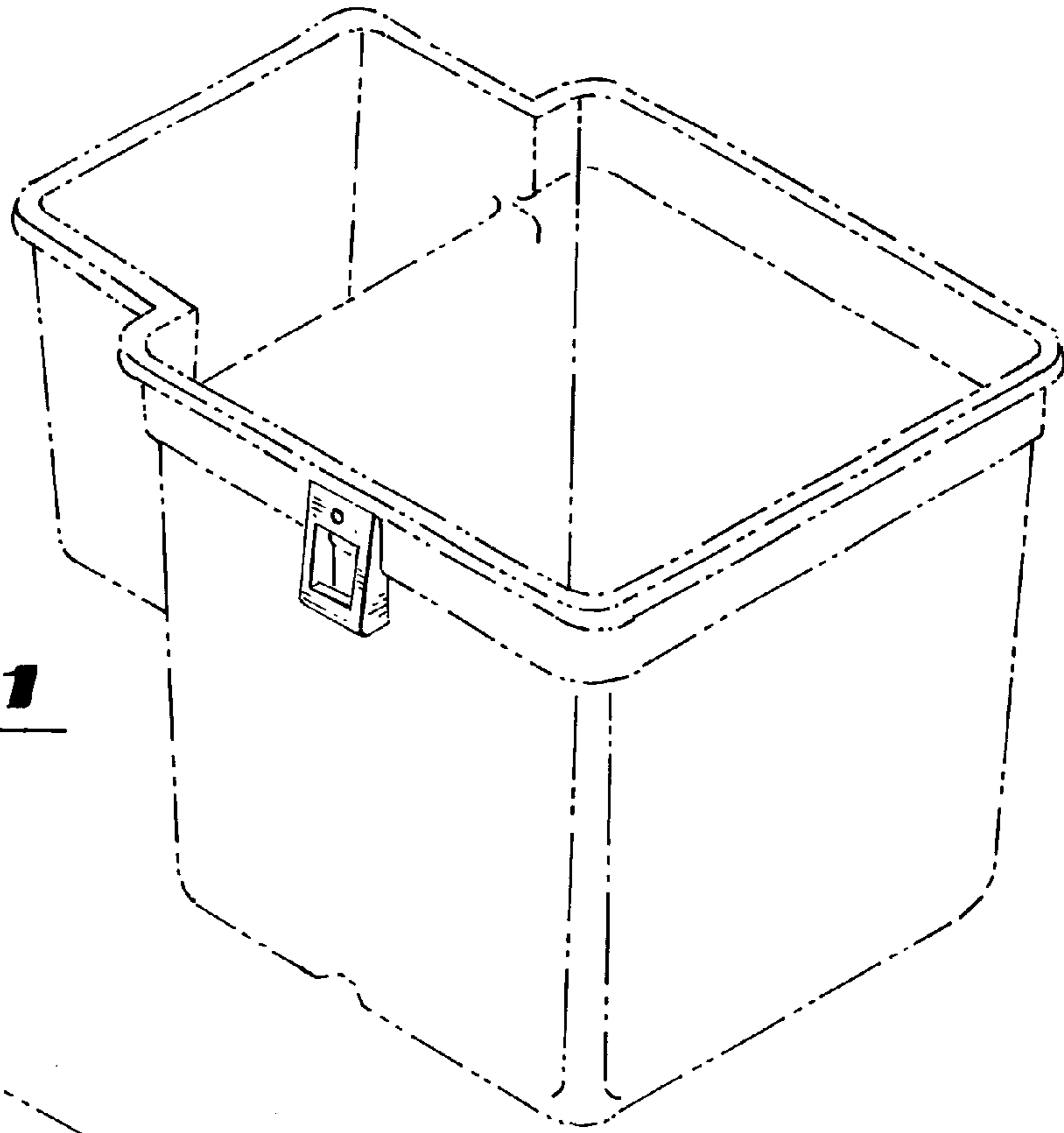
FIG. 1 is an overall perspective view of a bucket bracket;  
FIG. 2 is an enlarged bottom perspective view thereof;  
FIG. 3 is a top plan view thereof;  
FIG. 4 is a front elevation view thereof;  
FIG. 5 is a right side elevation view thereof;  
FIG. 6 is a rear elevation view thereof;  
FIG. 7 is a left side elevation view thereof; and,  
FIG. 8 is a bottom plan view thereof.

The broken line showing of a bucket is for illustrative purposes only and forms no part of the claimed design.

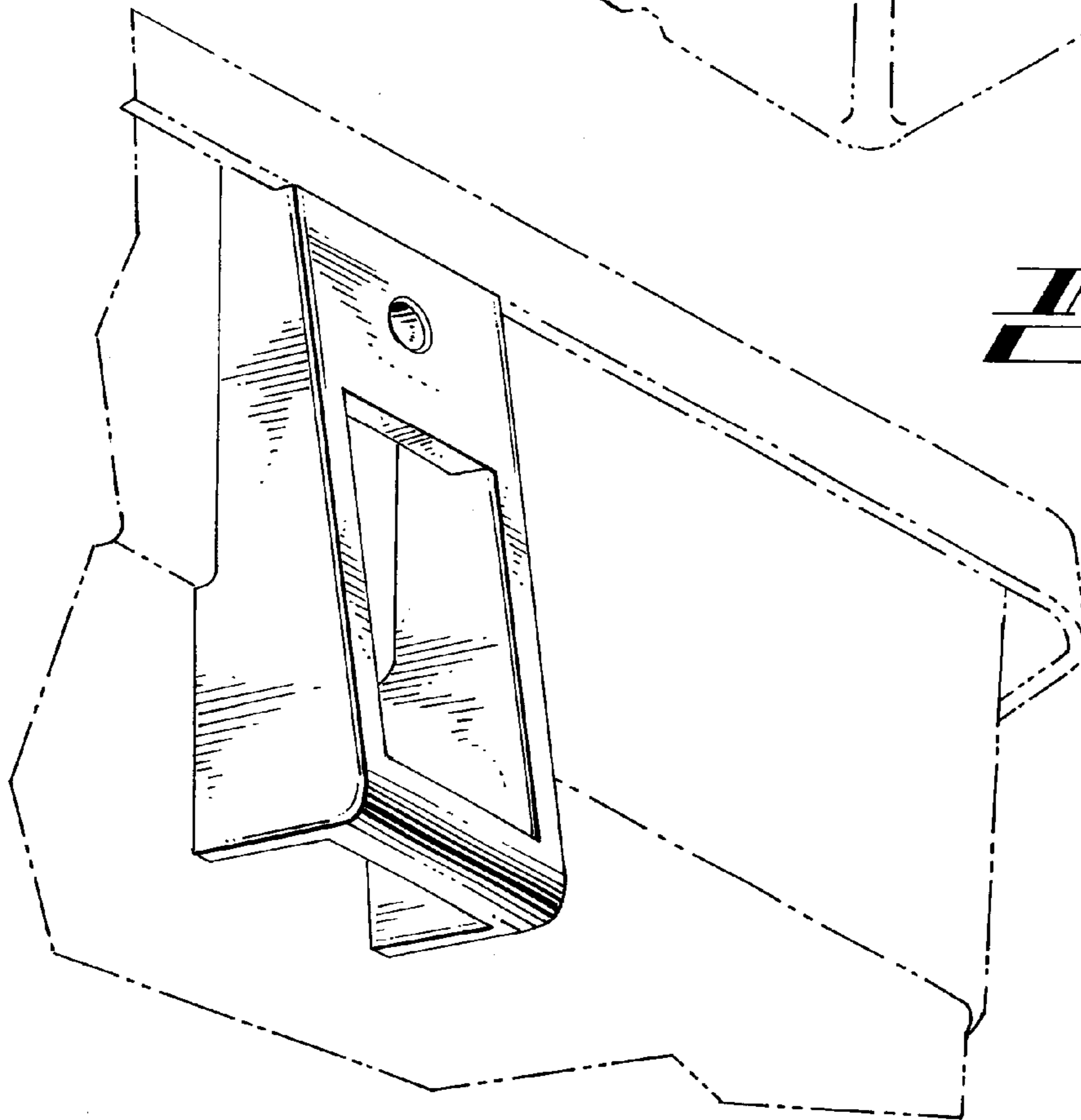
**1 Claim, 3 Drawing Sheets**



**Fig. 1**

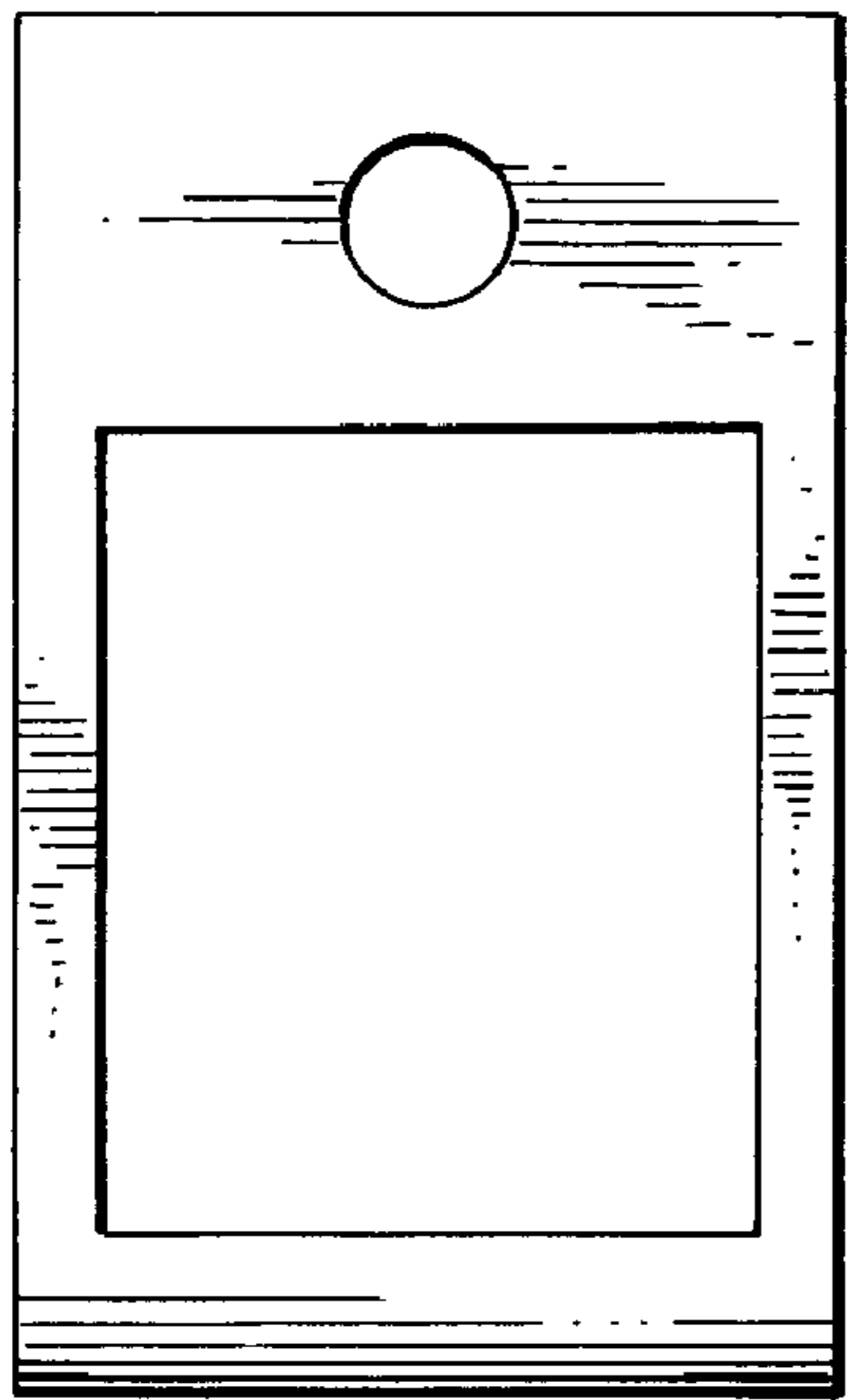


**Fig. 2**

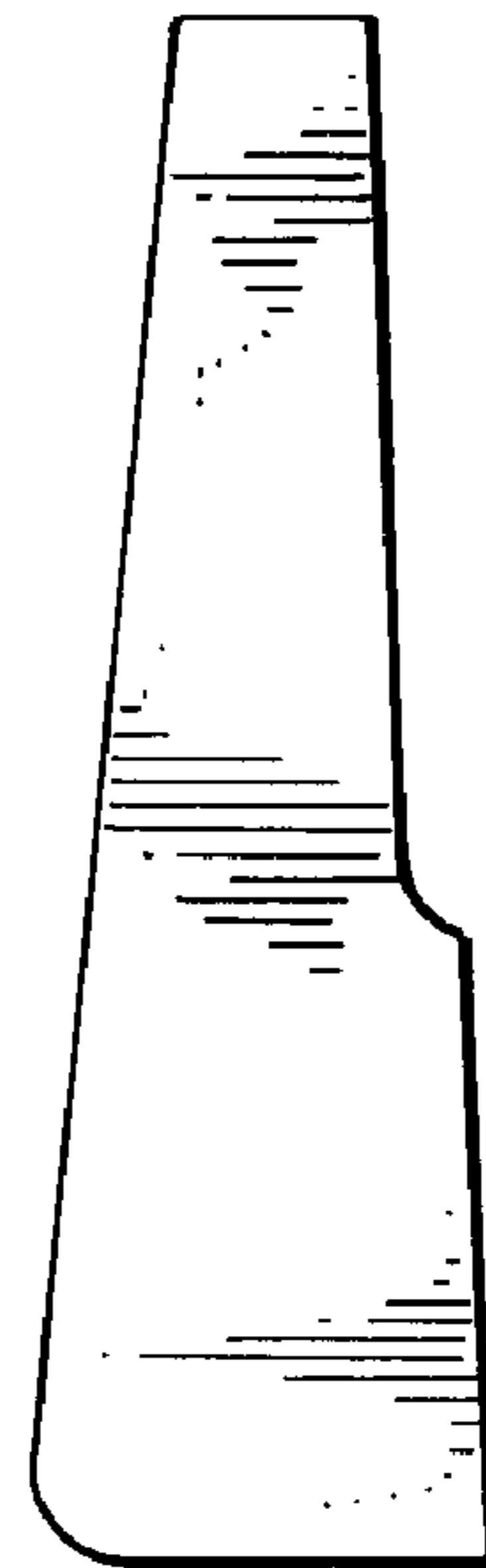




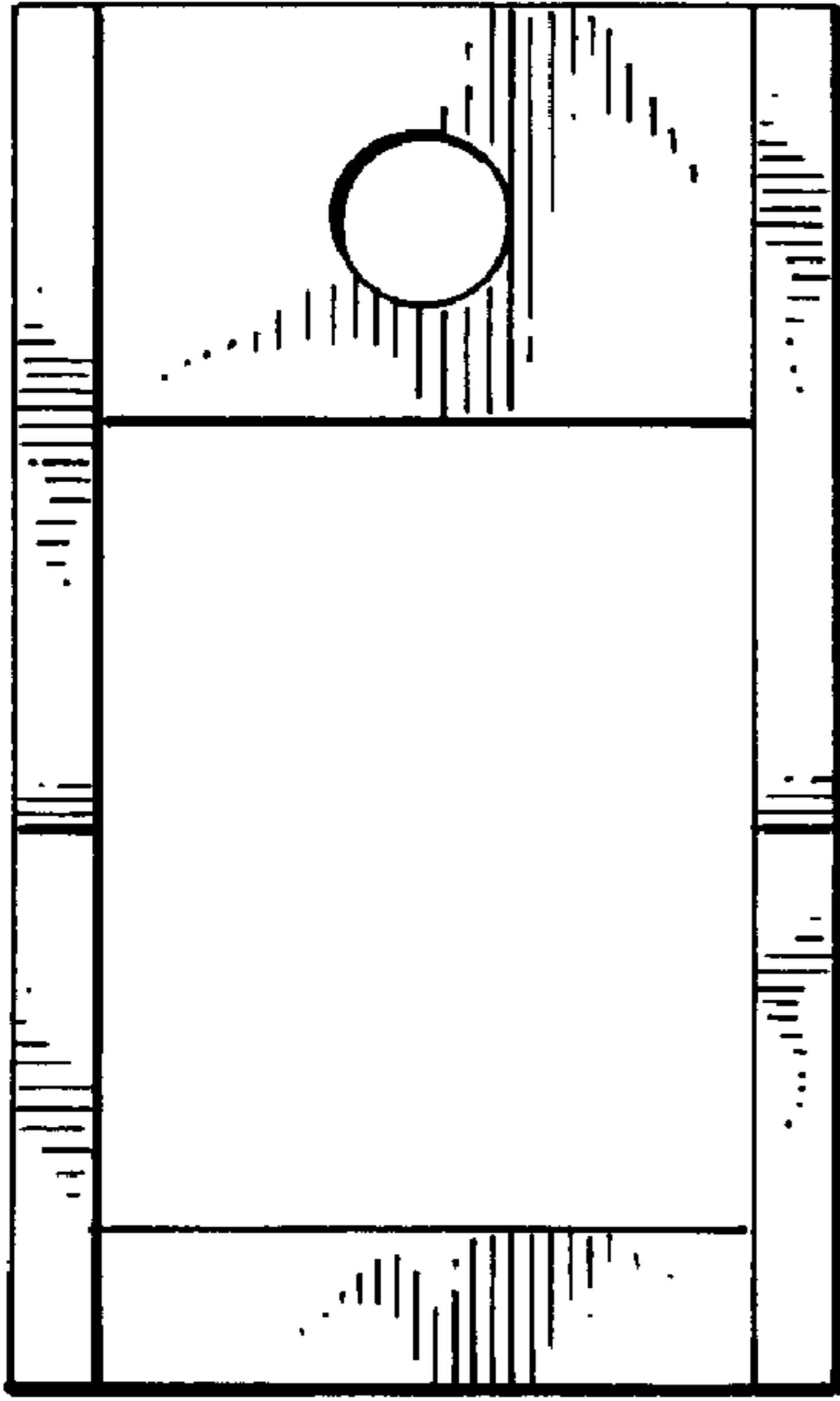
*Fig. 3*



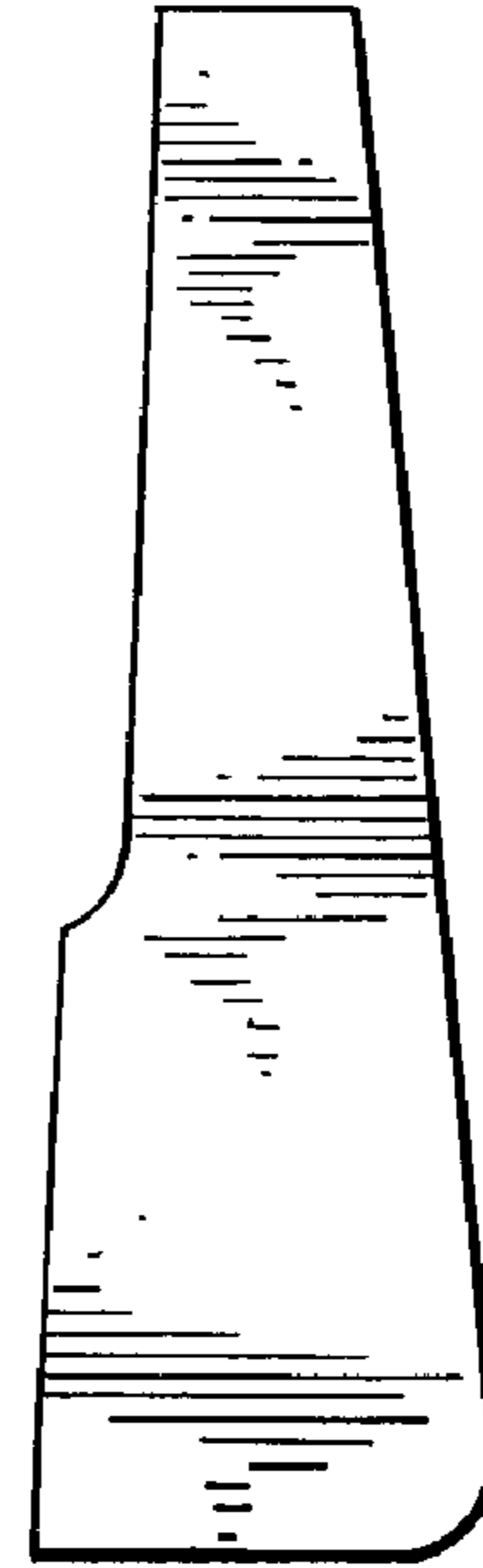
*Fig. 4*



*Fig. 5*



**Fig. 6**



**Fig. 7**

**Fig. 8**

