



US00D523730S

(12) **United States Design Patent**
Weinerman et al.

(10) **Patent No.:** **US D523,730 S**
(45) **Date of Patent:** **** Jun. 27, 2006**

(54) **PORTION OF A ROD-MOUNTABLE ROLLER ASSEMBLY FOR USE WITH LOCKING SYSTEMS FOR CLOSURES**

(75) Inventors: **Lee S. Weinerman**, Medina, OH (US);
Scott S. Kalanish, Hiram, OH (US)

(73) Assignee: **The Eastern Company**, Cleveland, OH (US)

(**) Term: **14 Years**

(21) Appl. No.: **29/213,366**

(22) Filed: **Sep. 16, 2004**

(51) **LOC (8) Cl.** **08-07**

(52) **U.S. Cl.** **D8/343**

(58) **Field of Classification Search** D8/330,
D8/336, 339, 343, 349, 382, 383, 400, 499;
70/1, 14, 57, 91, 266, 431; 262/262, 288,
262/1; 16/48.5, 49, 63, 71, 78, DIG. 1, DIG. 7,
16/DIG. 21, DIG. 43

See application file for complete search history.

(56) **References Cited**

U.S. PATENT DOCUMENTS

D167,283 S	*	7/1952	Schlage	D8/330
2,820,241 A	*	1/1958	Schlage	16/49
3,051,982 A	*	9/1962	Lasier	16/49
3,496,594 A	*	2/1970	Arthur	16/49
3,926,619 A	*	12/1975	Etienne	75/556
4,231,134 A	*	11/1980	Schoker	16/49
D295,254 S	*	4/1988	Matsuo et al.	D8/330
D335,812 S	*	5/1993	Musha	D8/330
D390,442 S	*	2/1998	Finkelstein et al.	D8/330
6,006,475 A	*	12/1999	Schwantes et al.	49/341
D453,102 S	*	1/2002	Postelwait	D8/349
6,427,496 B1	*	8/2002	Hurst	70/14

OTHER PUBLICATIONS

Dirak GmbH, Catalog p. 3–160 Showing FlatRod With Rollers, Ennepetal, Germany; Dated 2003.

Dirak GmbH, Catalog p. 3–165 Showing Rod-Latch System, Ennepetal, Germany, Dated 2002.

Emka-Beschlagteile GmbH, Website Printout of Rod Control & Latches For Heavy Duty, Velbert, Germany, Printed 2004.

Eberhard Mfg. Co Division of The Eastern Company, 1980 Catalog Page showing No. 2500 Rod Roller Assembly, Cleveland, OH, 1980.

Dirak GmbH, Catalog p. 1–170 Showing Rod Roller Assembly With Adapter, Ennepetal, Germany, Dated 1999.

Dirak GmbH, Catalog p. 1–180 Showing Round Rods With Rollers, Ennepetal, Germany, Dated 1999.

Moore Industrial Hardware Standard Catalog No. 97, p. 403–404 Cincinnati, OH, 1998.

* cited by examiner

Primary Examiner—Prabhakar Deshmukh
(74) *Attorney, Agent, or Firm*—David A. Burge

(57) **CLAIM**

We claim the ornamental design for a portion of a rod-mountable roller assembly for use with locking systems for closures, as shown and described.

DESCRIPTION

FIG. 1 is a perspective view showing front, bottom and left side portions of our new design;

FIG. 2 is a front view thereof;

FIG. 3 is a perspective view showing rear, top and left side portions thereof;

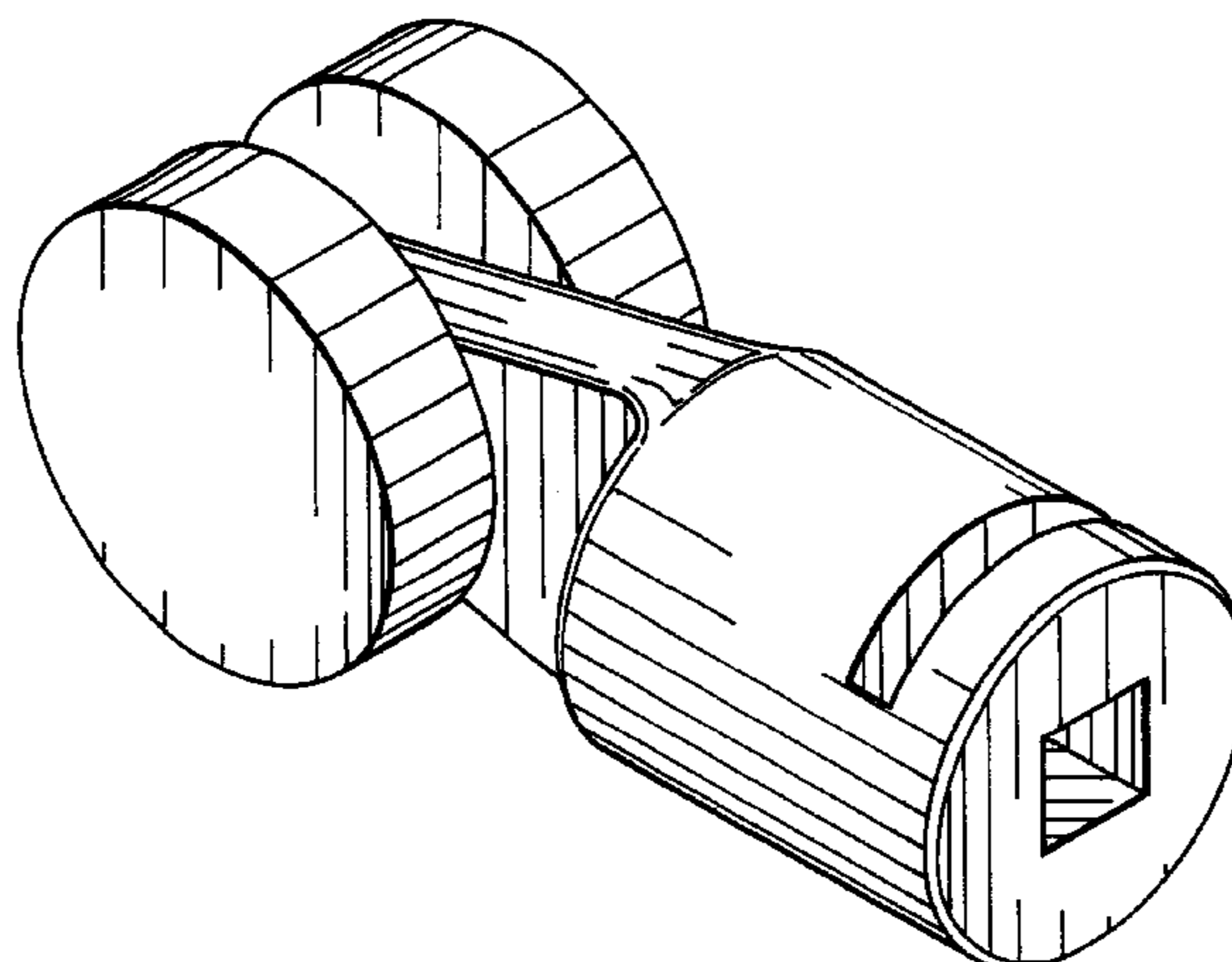
FIG. 4 is a rear view thereof;

FIG. 5 is a left side view thereof, it being understood that a right side view is identical hereto but a mirror image reversal hereof;

FIG. 6 is a top view thereof; and,

FIG. 7 is a bottom view thereof.

1 Claim, 3 Drawing Sheets



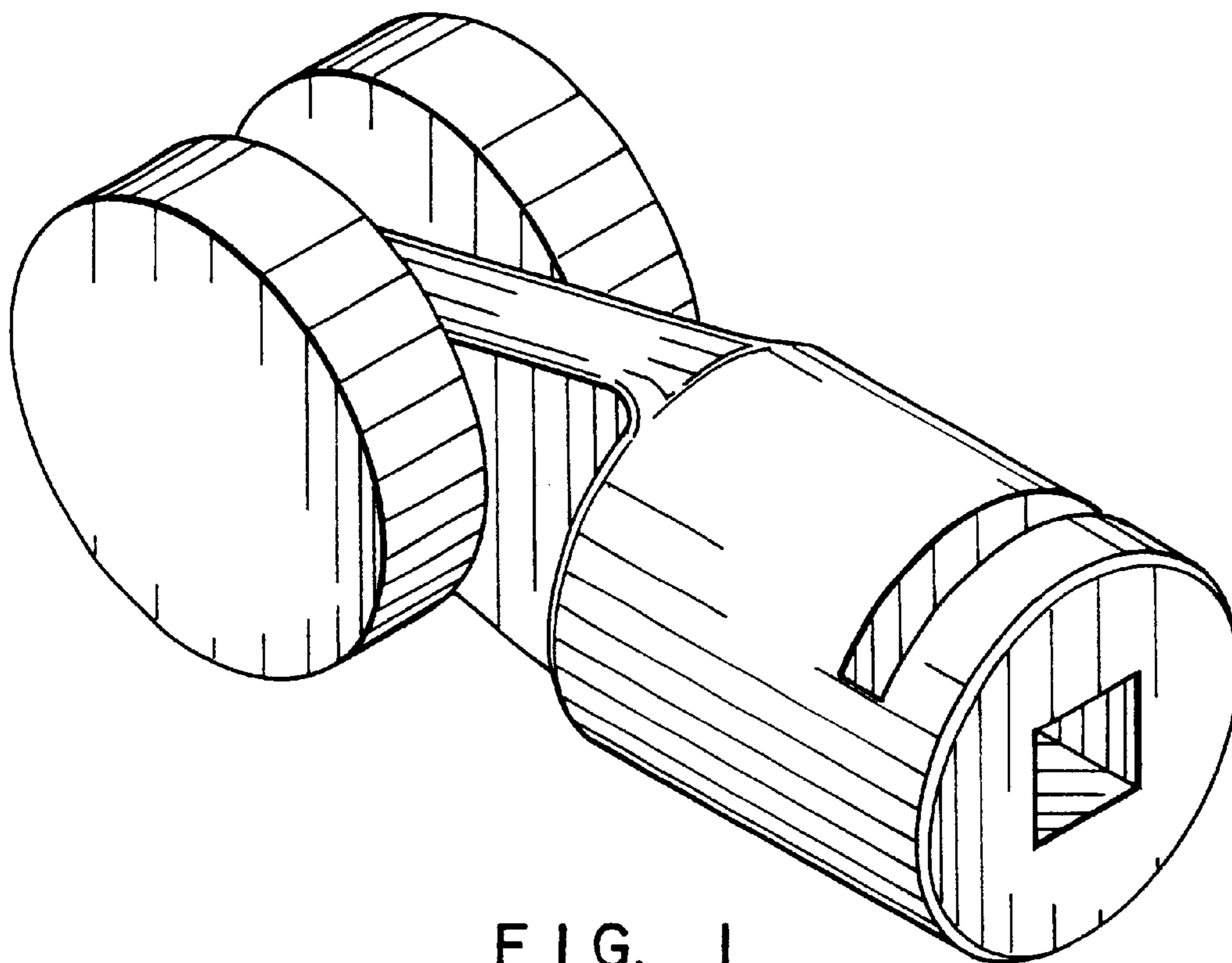


FIG. 1

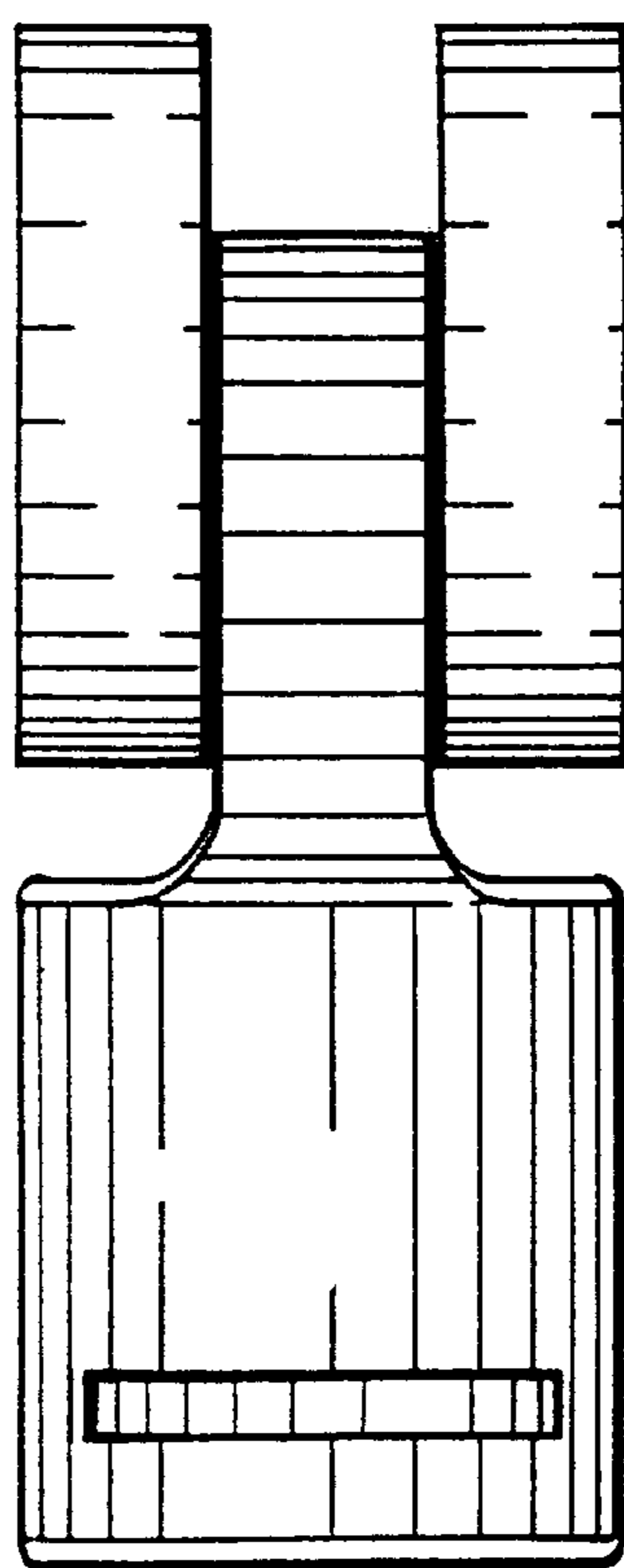


FIG. 2

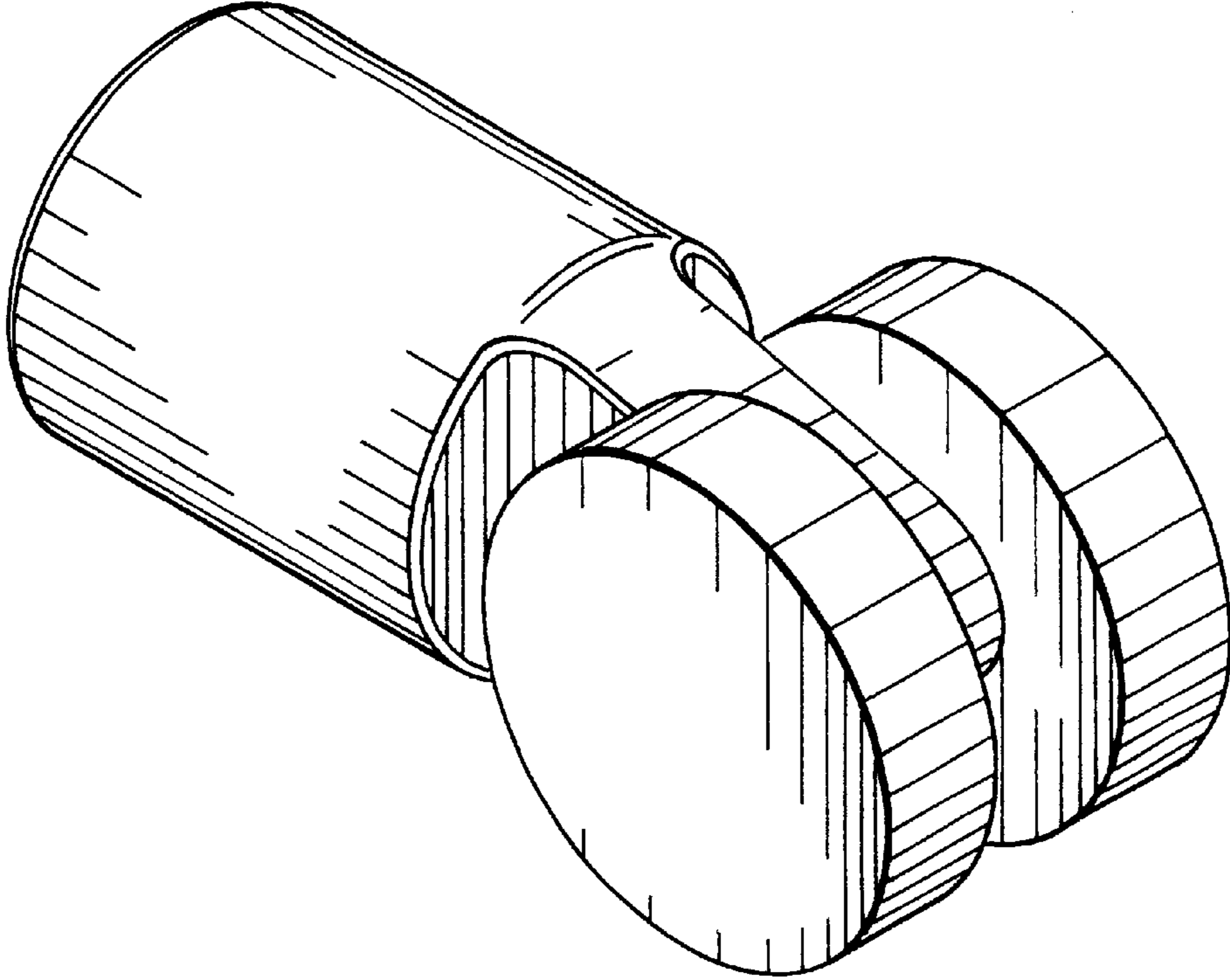


FIG. 3

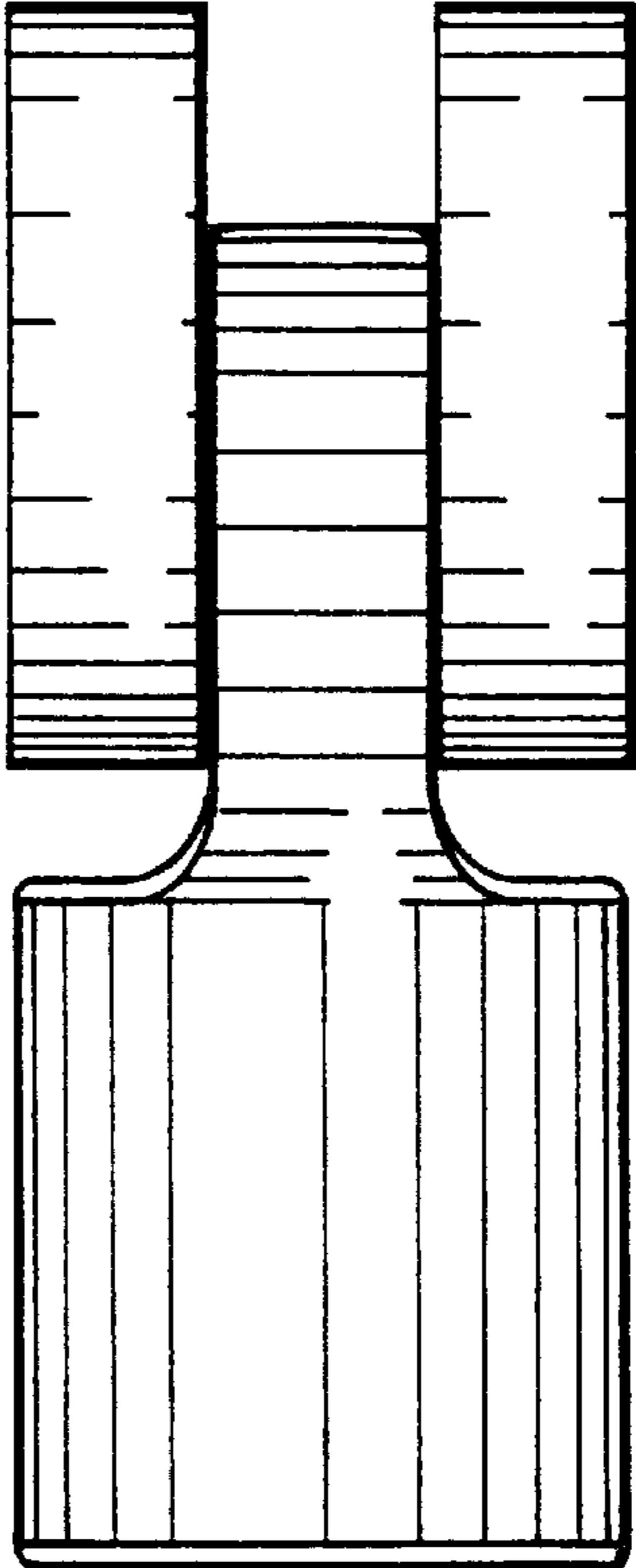


FIG. 4

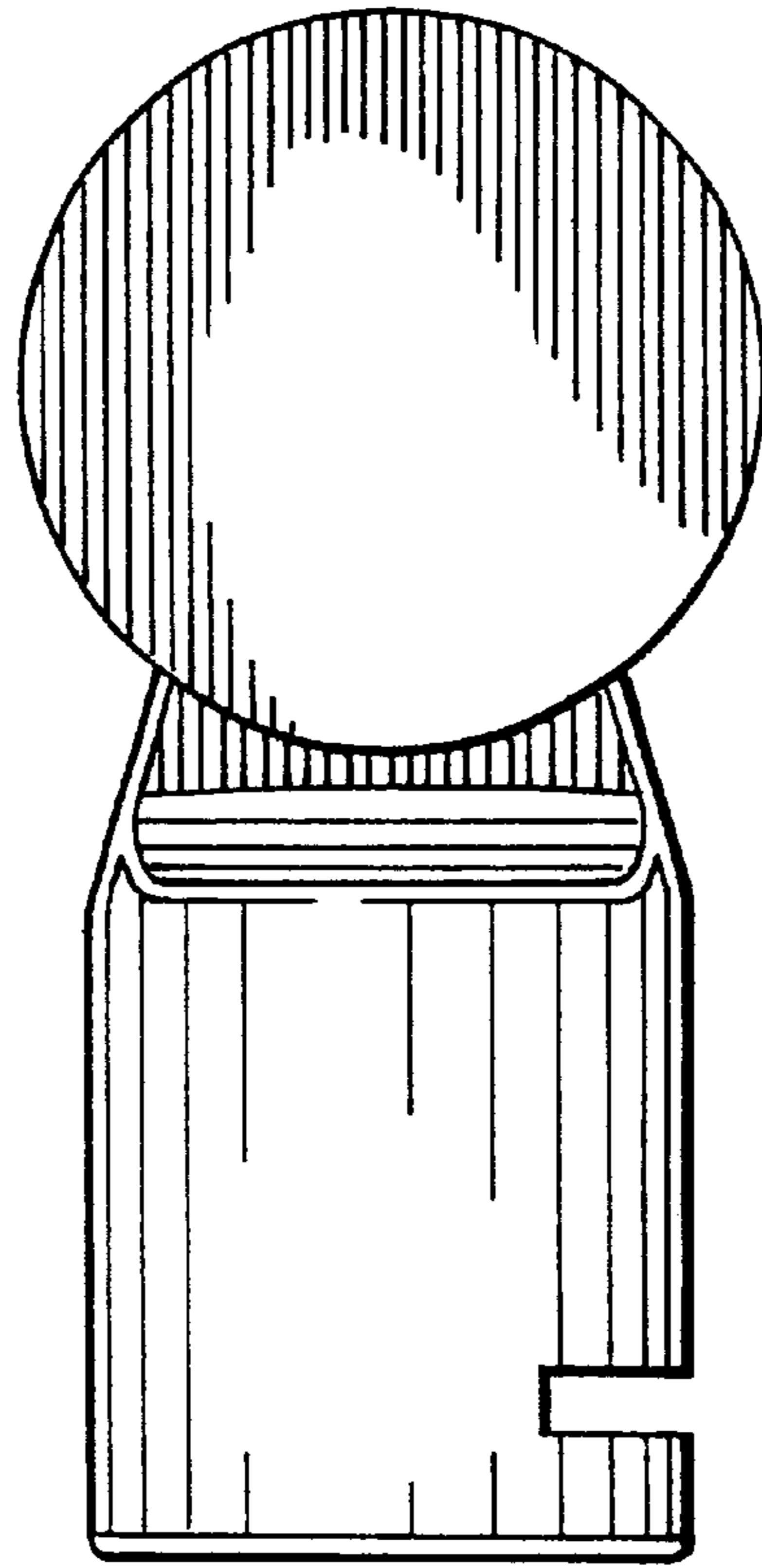


FIG. 5

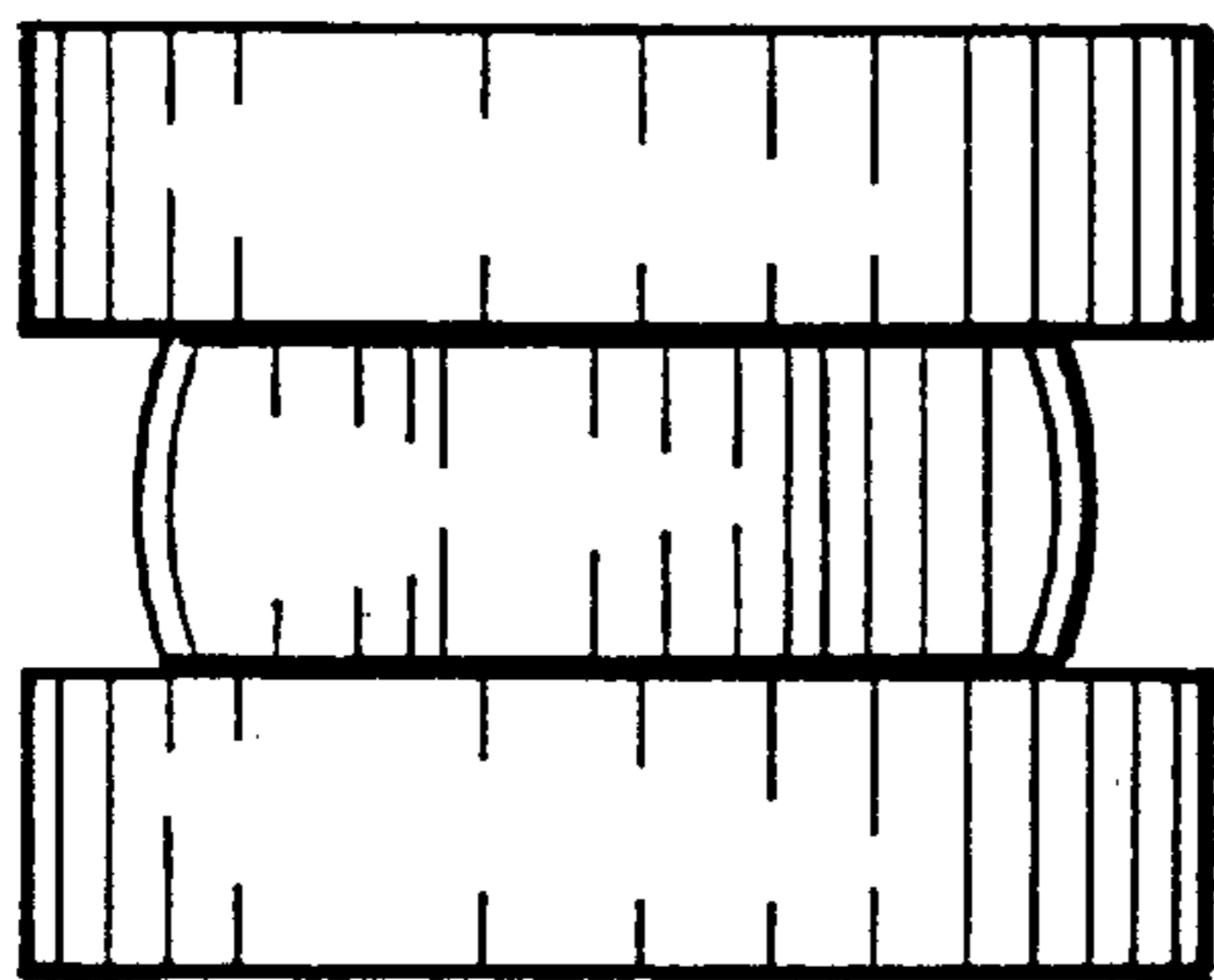


FIG. 6

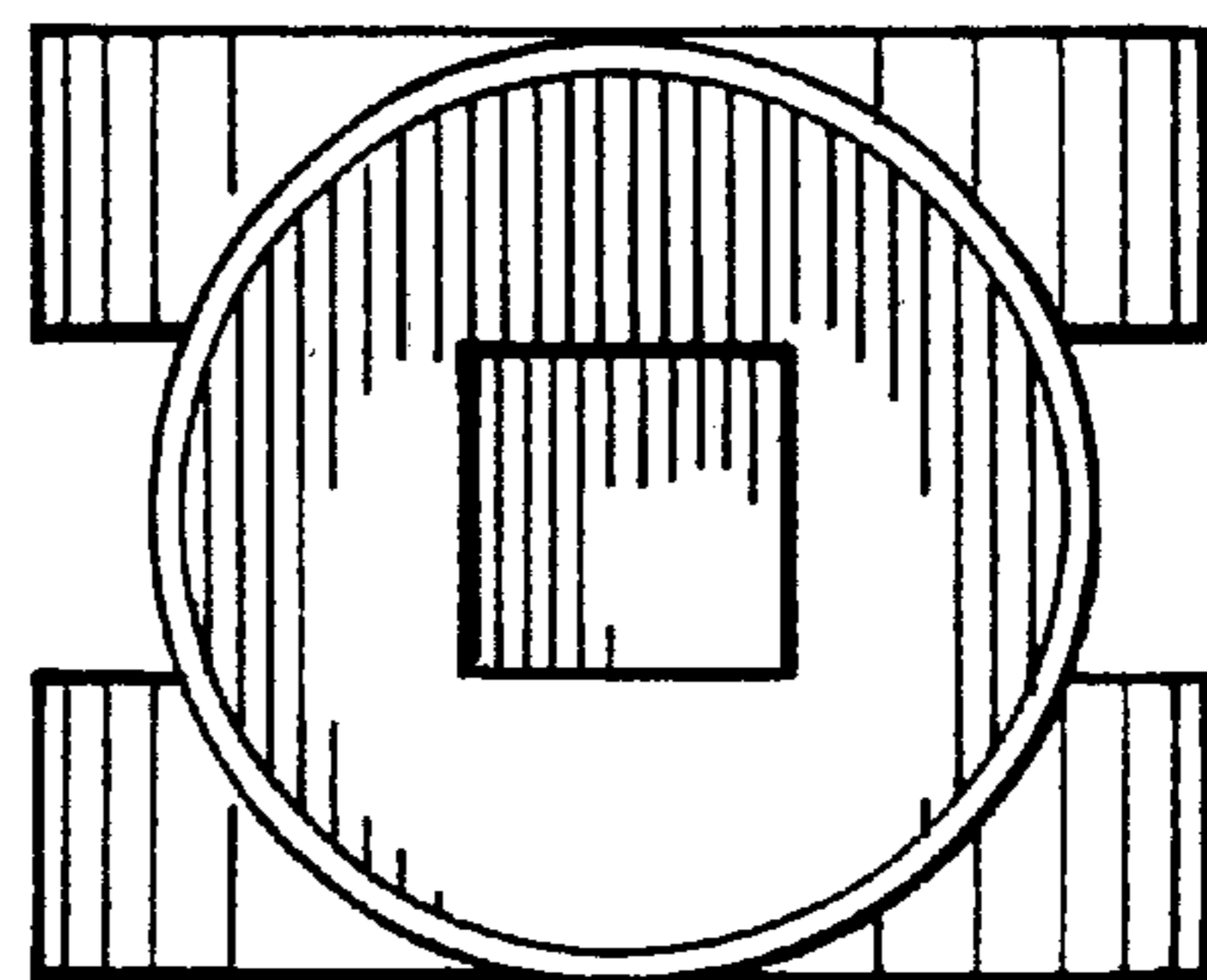


FIG. 7