



US00D523729S

(12) **United States Design Patent**
Gorst

(10) **Patent No.:** **US D523,729 S**

(45) **Date of Patent:** **** Jun. 27, 2006**

(54) **SECURITY DEVICE**

(75) **Inventor:** **Alan Jeffrey Gorst, Saddleworth (GB)**

(73) **Assignee:** **Sports-Tag Limited, Warrington (GB)**

(**) **Term:** **14 Years**

(21) **Appl. No.:** **29/194,788**

(22) **Filed:** **Dec. 1, 2003**

(30) **Foreign Application Priority Data**

Nov. 19, 2003 (EM) 000100862

(51) **LOC (8) Cl.** **08-07**

(52) **U.S. Cl.** **D8/333; D8/346**

(58) **Field of Classification Search** D8/330,
D8/331, 343, 333, 344, 323, 327, 328, 383,
D8/394, 396; 70/57, 57.1, 19, 51, 431, 158,
70/258; 292/288, 289, 297, 298, 307 B; 16/221,
16/223, 250, 251, 252, 253

See application file for complete search history.

(56) **References Cited**

U.S. PATENT DOCUMENTS

4,296,615 A * 10/1981 Zoor 70/19
4,344,253 A * 8/1982 Stiles 49/383
4,570,191 A * 2/1986 Di Stefano et al. 360/77.03
D301,116 S * 5/1989 Foshee et al. D8/331

D349,034 S * 7/1994 Webster D8/333
5,347,835 A * 9/1994 Dewey 70/202
5,511,399 A * 4/1996 Lynn 70/19
D402,180 S * 12/1998 Chappell D8/333
D439,826 S * 4/2001 Oddy D8/336
D446,441 S * 8/2001 Brake D8/346

* cited by examiner

Primary Examiner—Prabhakar Deshmukh

(74) *Attorney, Agent, or Firm*—Egbert Law Offices

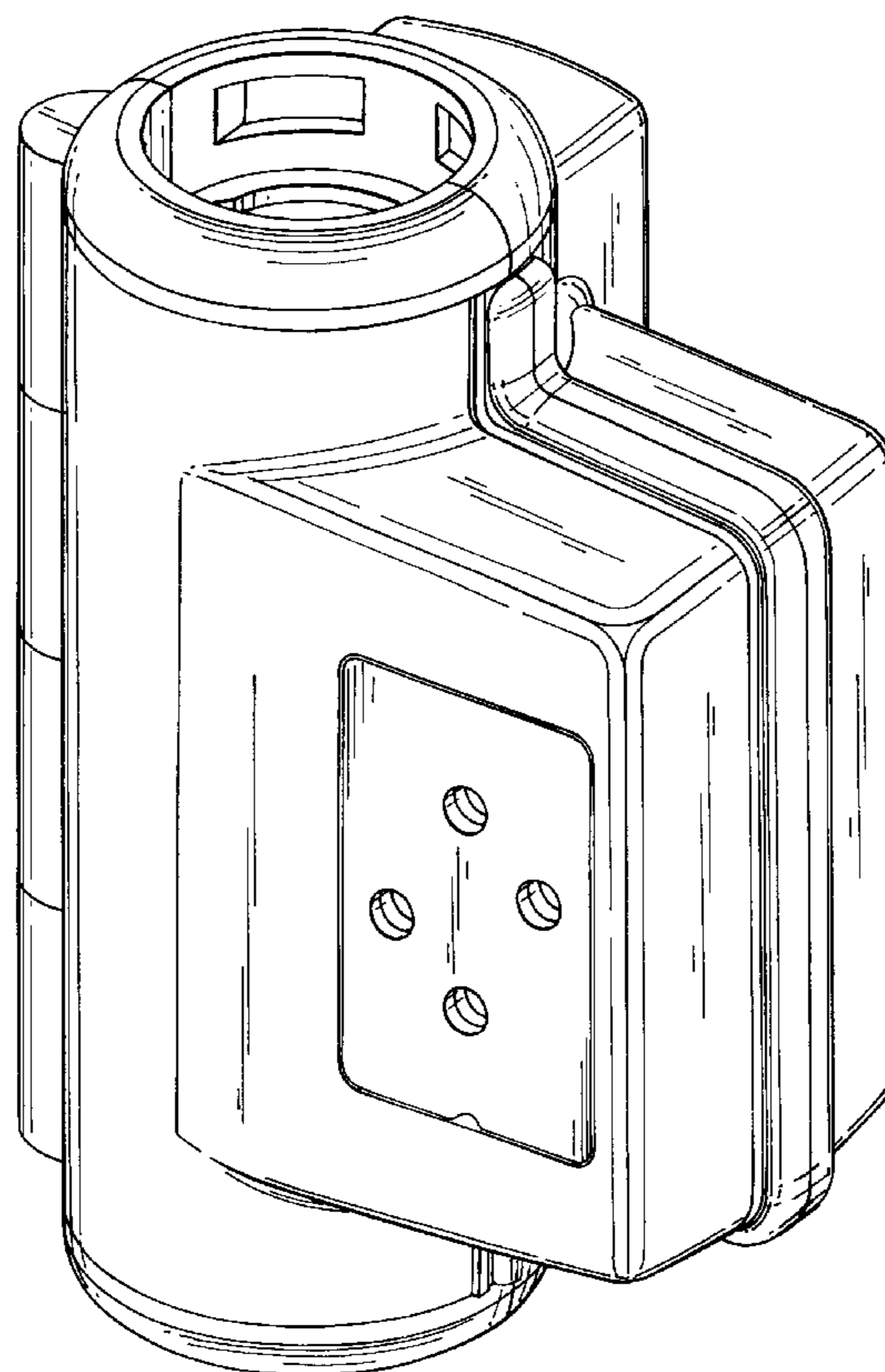
(57) **CLAIM**

I claim the ornamental design for a security device, as shown and described.

DESCRIPTION

FIG. 1 is a top and front perspective view of a security device showing my new design, shown in a closed position; FIG. 2 is a bottom and rear perspective view thereof; FIG. 3 is a bottom view thereof; FIG. 4 is a top view thereof; FIG. 5 is a left perspective view thereof, shown in an open position; FIG. 6 is a right perspective view thereof, shown in an open position; and, FIG. 7 is a front perspective view thereof, shown in an open position.

1 Claim, 7 Drawing Sheets



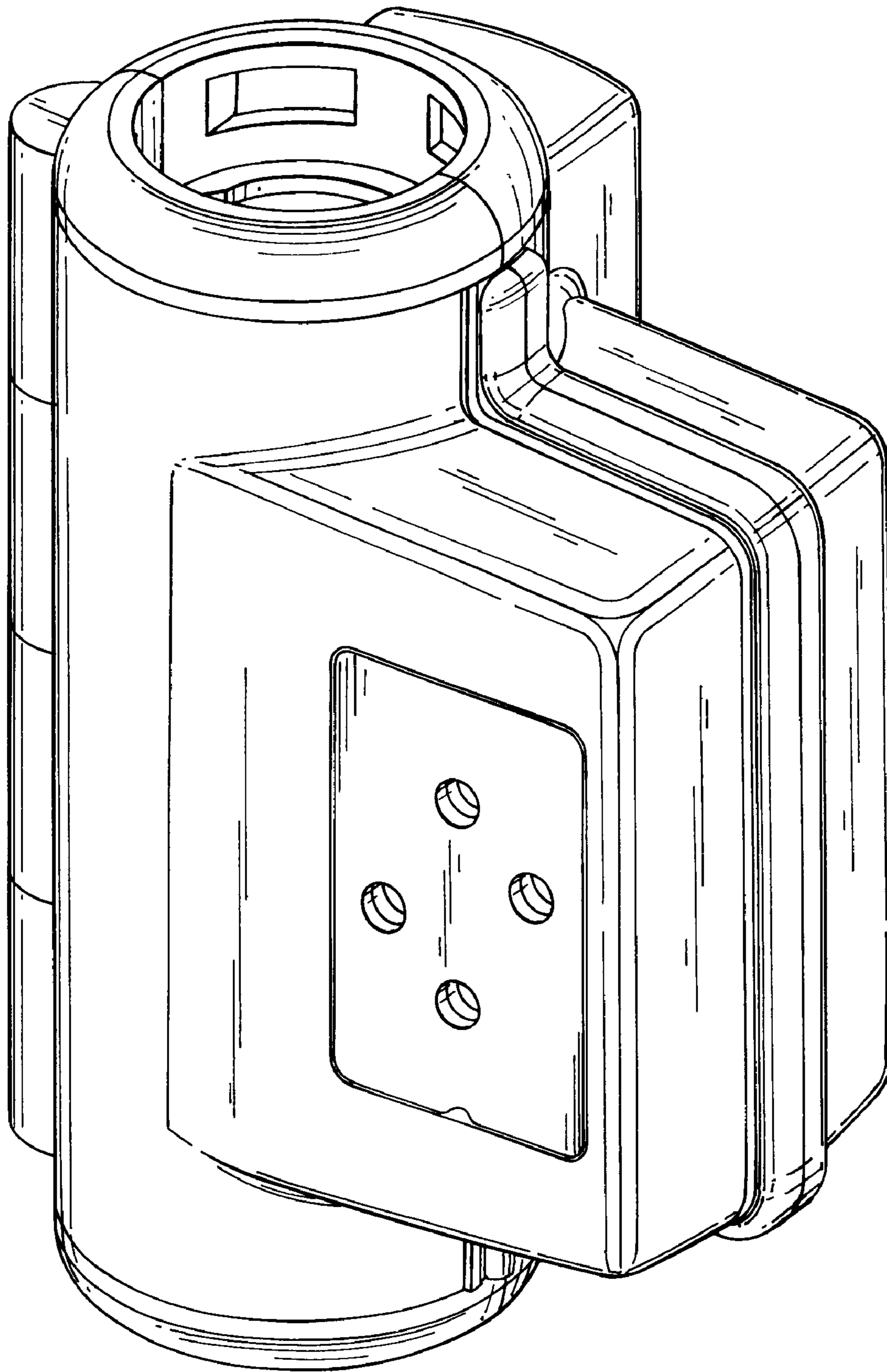


Fig. 1

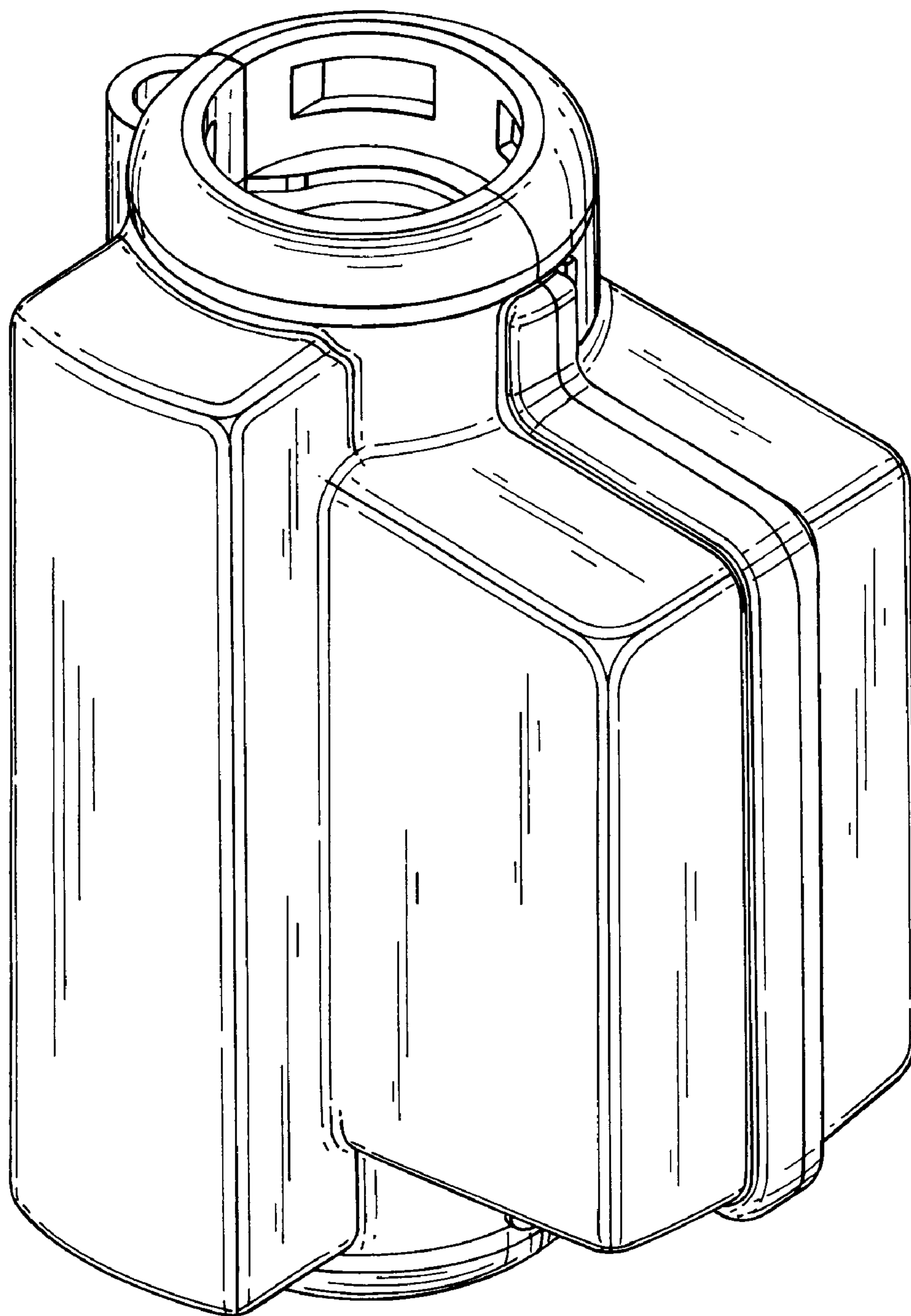


Fig. 2

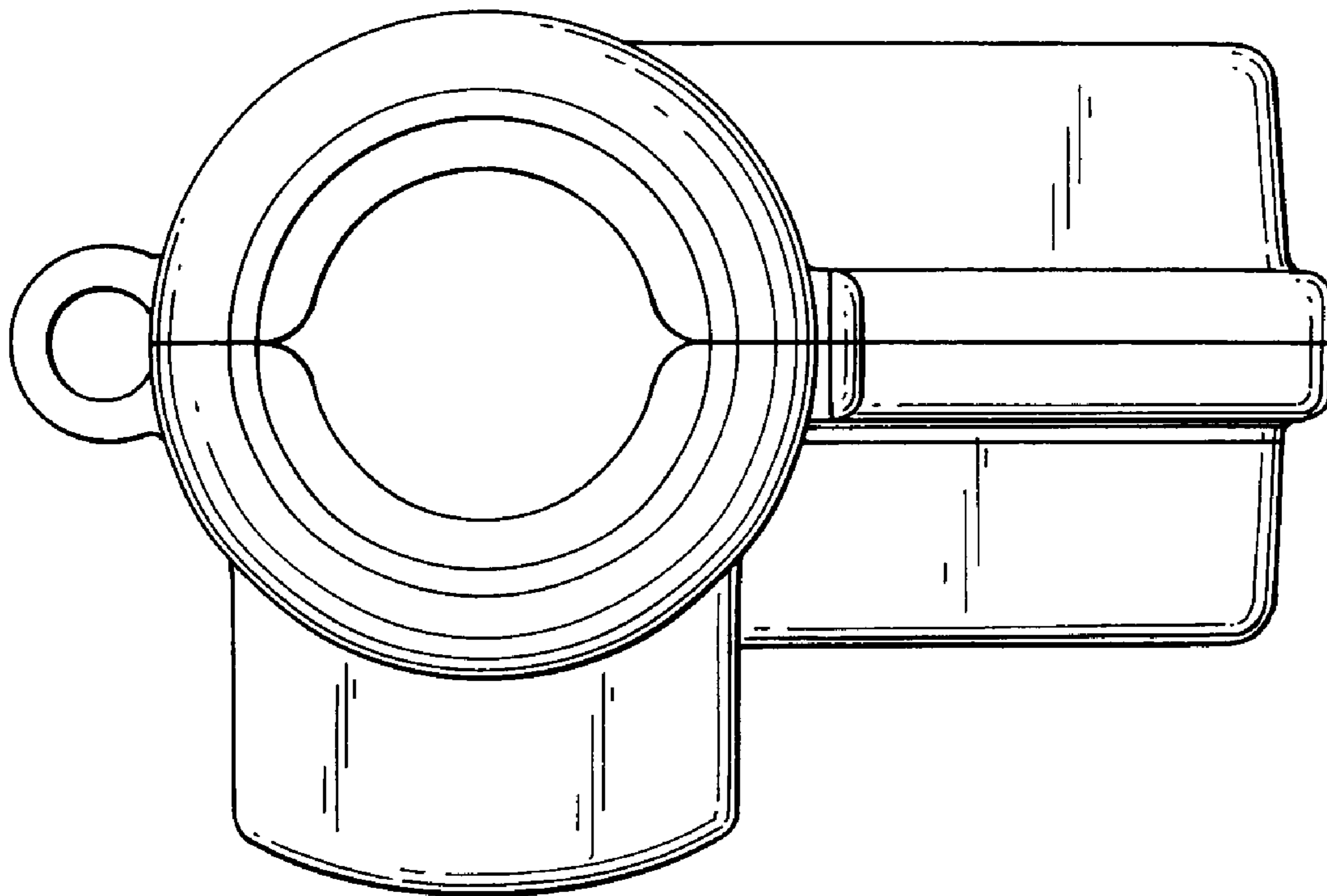


Fig. 3

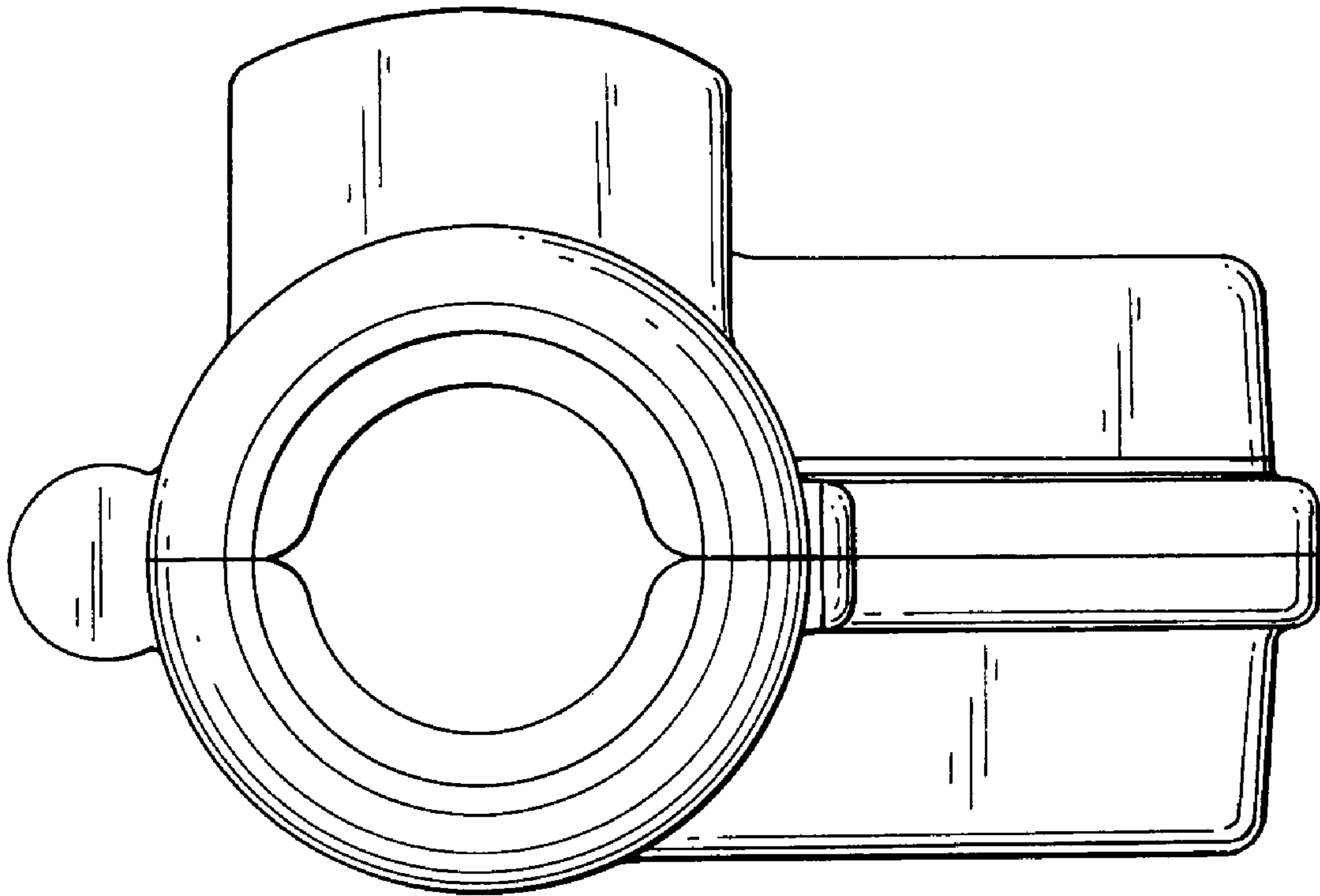


Fig. 4

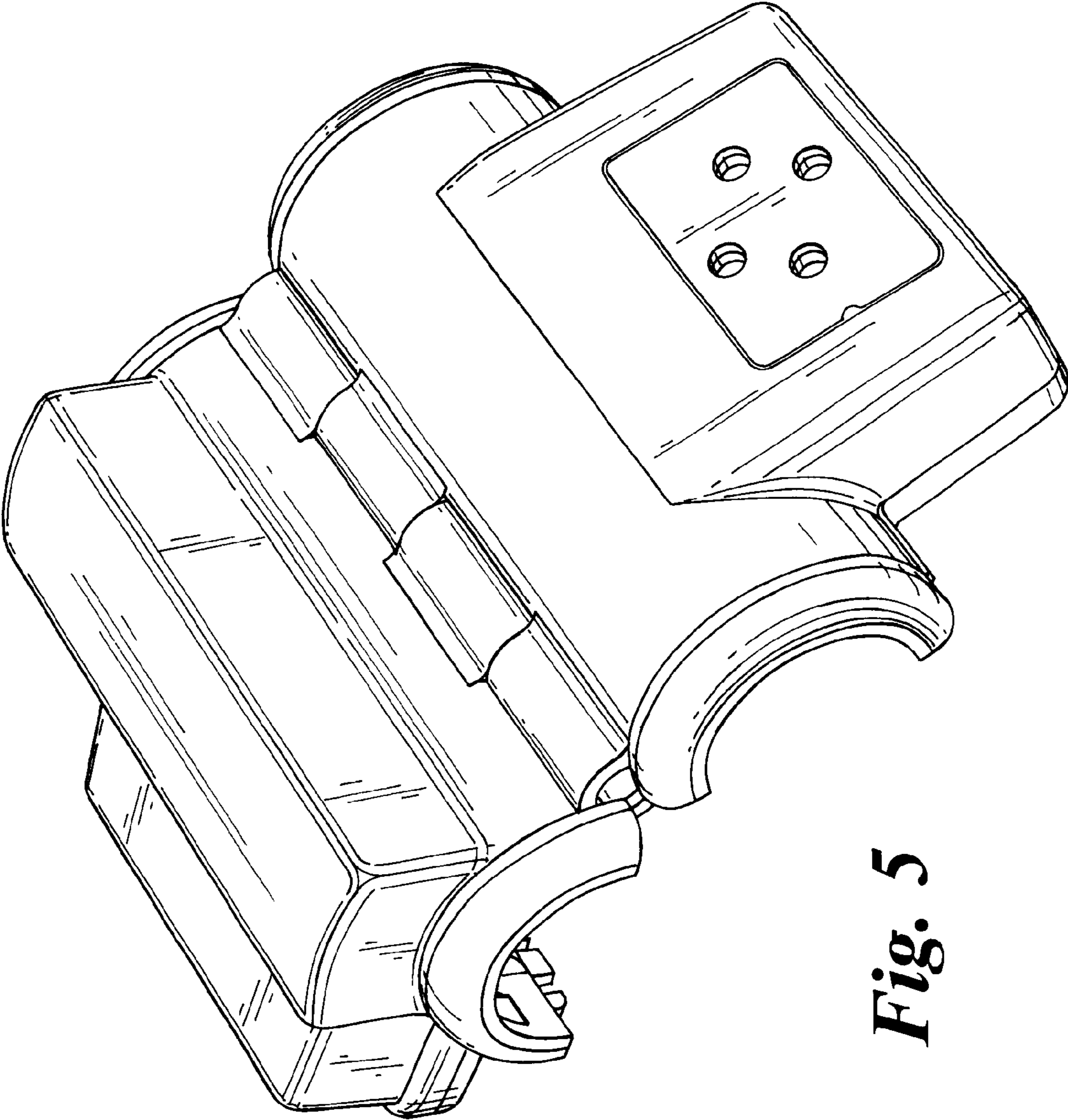


Fig. 5

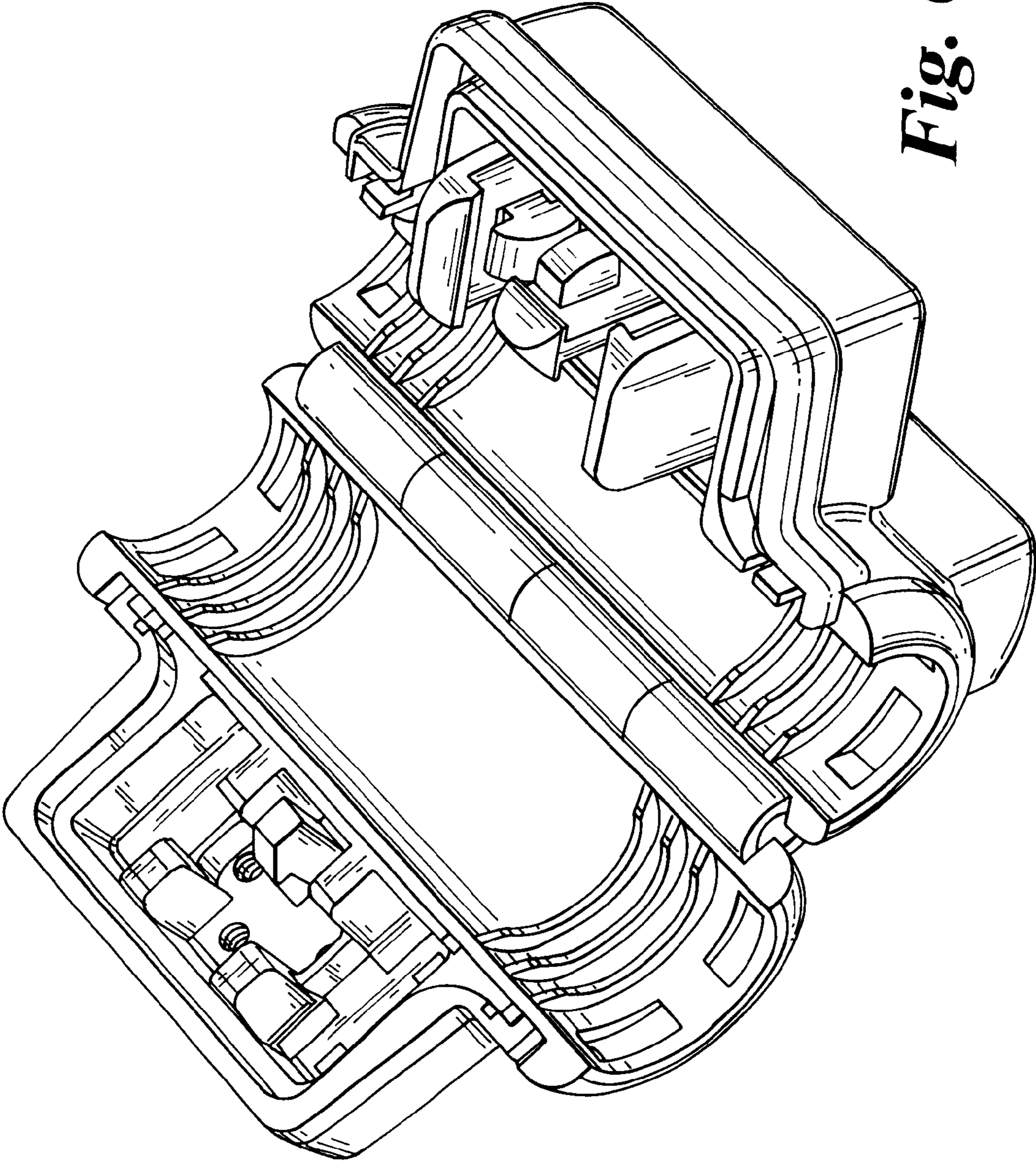


Fig. 6

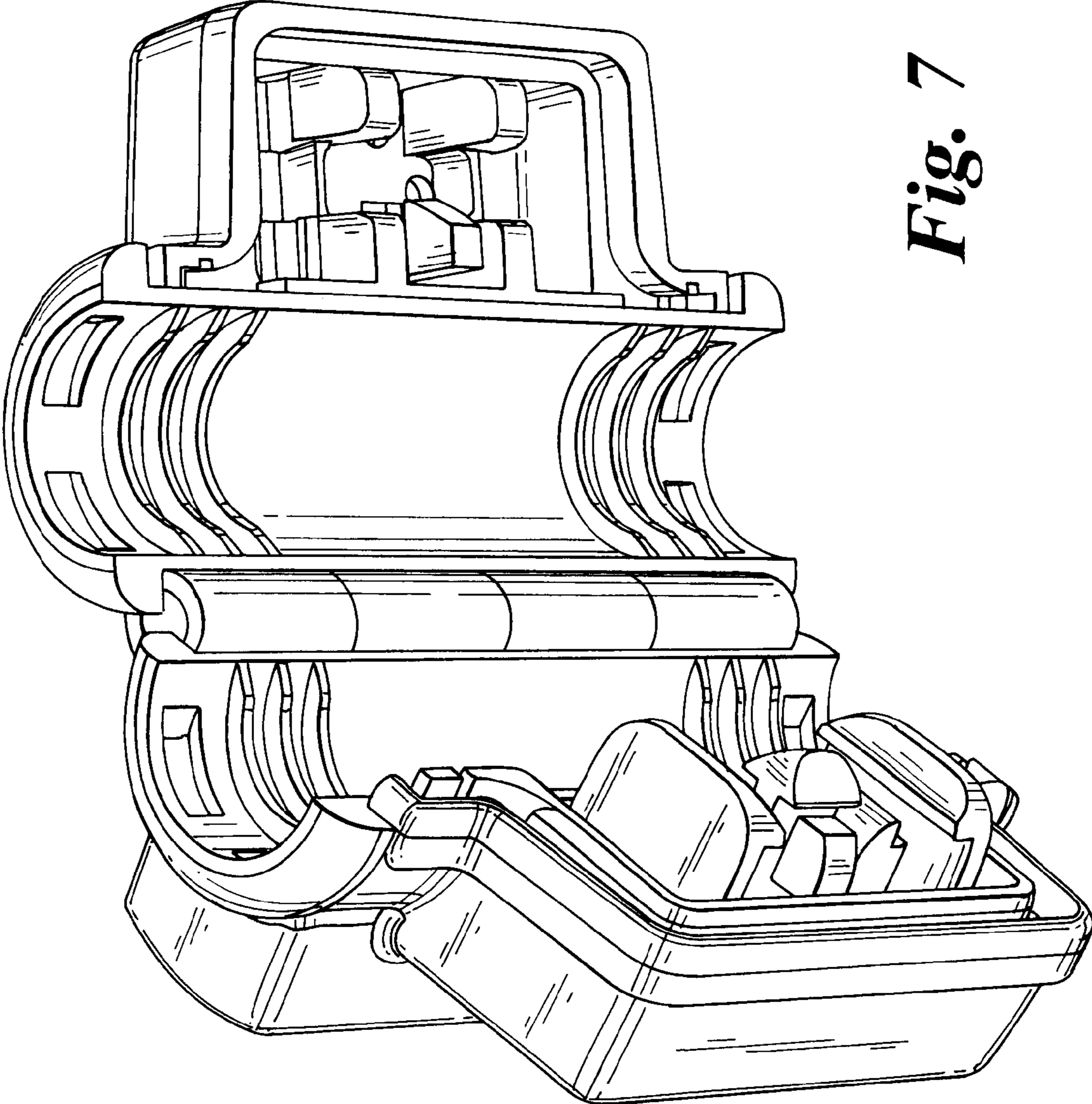


Fig. 7