



US00D523728S

(12) **United States Design Patent**
Lee et al.

(10) **Patent No.:** **US D523,728 S**
(45) **Date of Patent:** **** Jun. 27, 2006**

(54) **HINGE FOR A WELDING HELMET WINDOW**

(75) Inventors: **Peter D. Lee**, Hartlepool (GB);
Desmond T. Curran, Durham (GB);
Daniel Martin, Whalton (GB)

(73) Assignee: **3M Innovative Properties Company**,
St. Paul, MN (US)

(**) Term: **14 Years**

(21) Appl. No.: **29/217,153**

(22) Filed: **Nov. 12, 2004**

(51) **LOC (8) Cl.** **08-06**

(52) **U.S. Cl.** **D8/323**

(58) **Field of Classification Search** D29/102-103,
D29/107-110, 122; D2/891; D24/137, 150,
D24/172; D26/39; 2/8, 424, 432; 349/14;
219/147; 16/227, 384, 387, 388, 390
See application file for complete search history.

(56) **References Cited**

U.S. PATENT DOCUMENTS

- 3,806,951 A 4/1974 Halteman
- 3,825,952 A 7/1974 Pershing et al.
- 4,136,688 A 1/1979 Gorman
- D258,415 S * 3/1981 DeStepheno D8/323
- D258,562 S * 3/1981 DeStepheno D8/323
- 4,280,491 A 7/1981 Berg et al.
- 4,462,399 A 7/1984 Braun
- 4,774,723 A * 10/1988 Ruck 2/8
- 4,965,887 A 10/1990 Paoluccio et al.
- 5,054,479 A 10/1991 Yelland et al.
- 5,104,430 A 4/1992 Her-Mou
- 5,125,402 A 6/1992 Greenough
- 5,533,500 A 7/1996 Her-Mou
- 5,575,278 A 11/1996 Bonhomme et al.
- 5,687,427 A * 11/1997 Lamattina et al. 2/424
- 5,857,215 A * 1/1999 Ferguson et al. 2/8

- 6,014,971 A 1/2000 Danisch et al.
- 6,016,805 A 1/2000 Burns et al.
- 6,250,299 B1 6/2001 Danisch et al.
- 2004/0210976 A1 * 10/2004 Huh 2/8

FOREIGN PATENT DOCUMENTS

- EP 1061822 B1 4/2003
- WO WO 99/26502 6/1999

OTHER PUBLICATIONS

- Product literature for Racal Health & Safety Powered Respirators.
- Picture of 9000 Speedglas by 3M.
- Picture of Welding Headtop Breathe Easy™ 17 by 3M.
- Picture of Welding Shield by Euromaski.
- Picture of Satellite Shield by Optrel.
- Picture of Welding Shield, Air Visor K Series, by Willson.

* cited by examiner

Primary Examiner—Ruth McInroy
(74) *Attorney, Agent, or Firm*—Karl G. Hanson

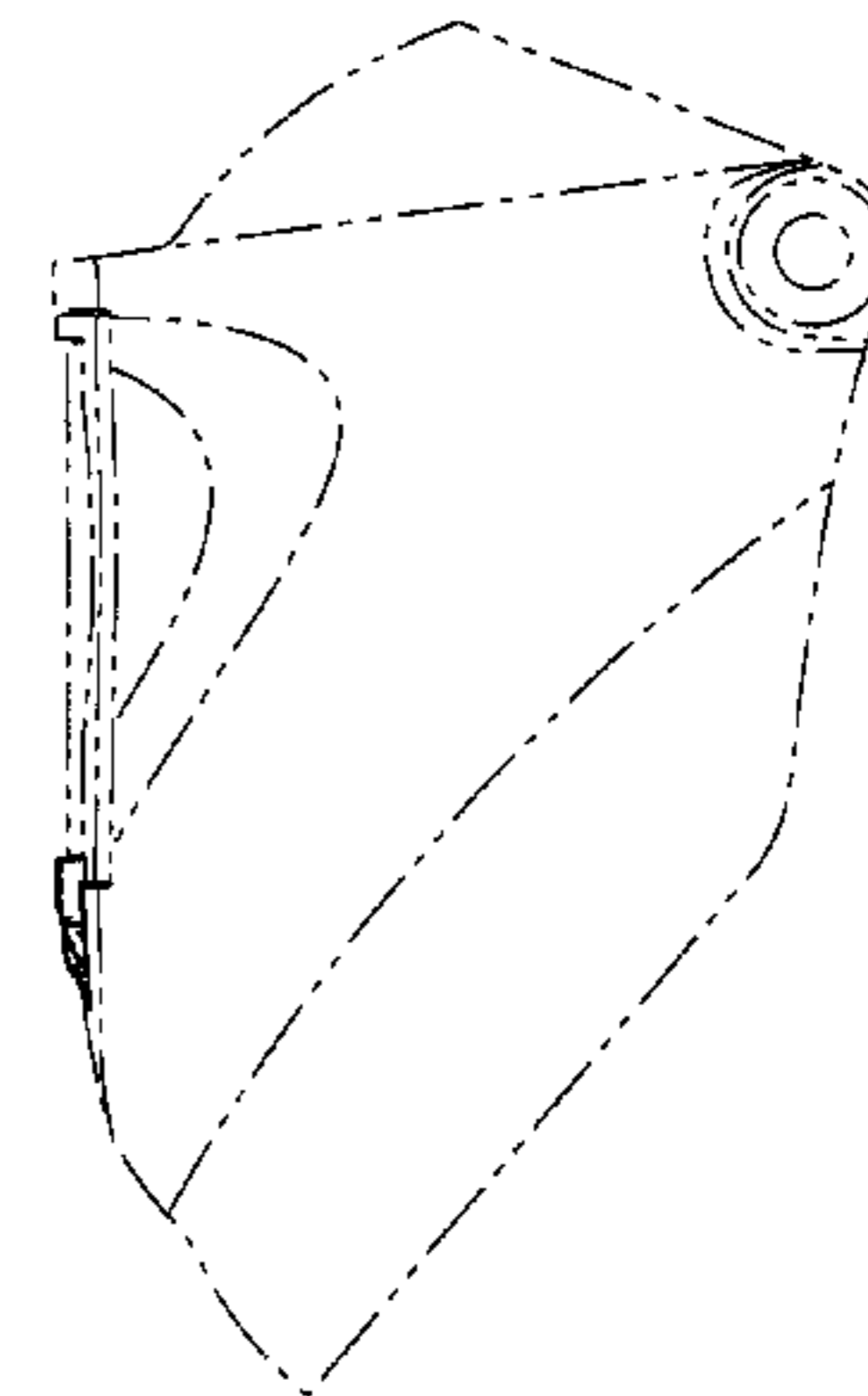
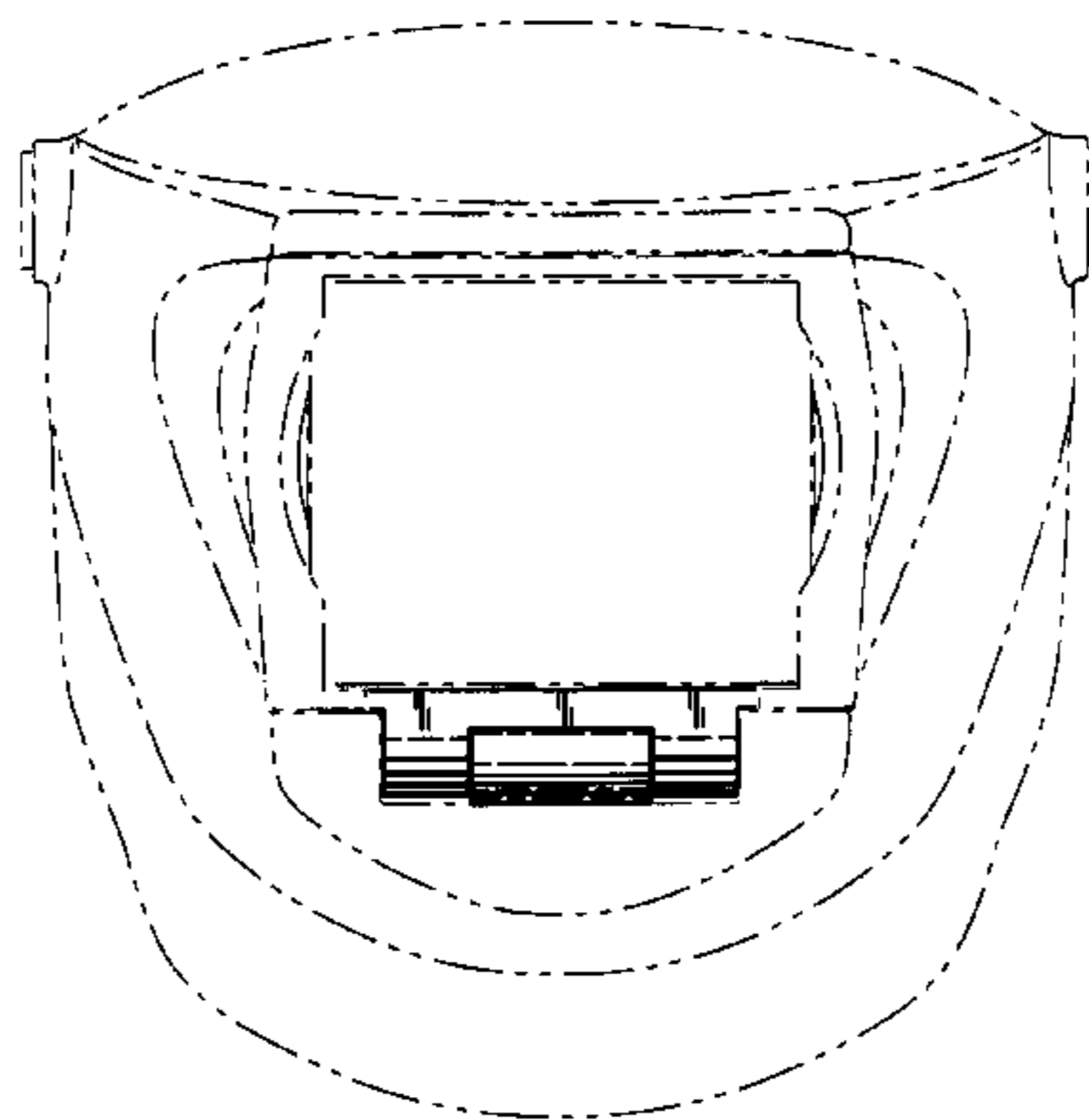
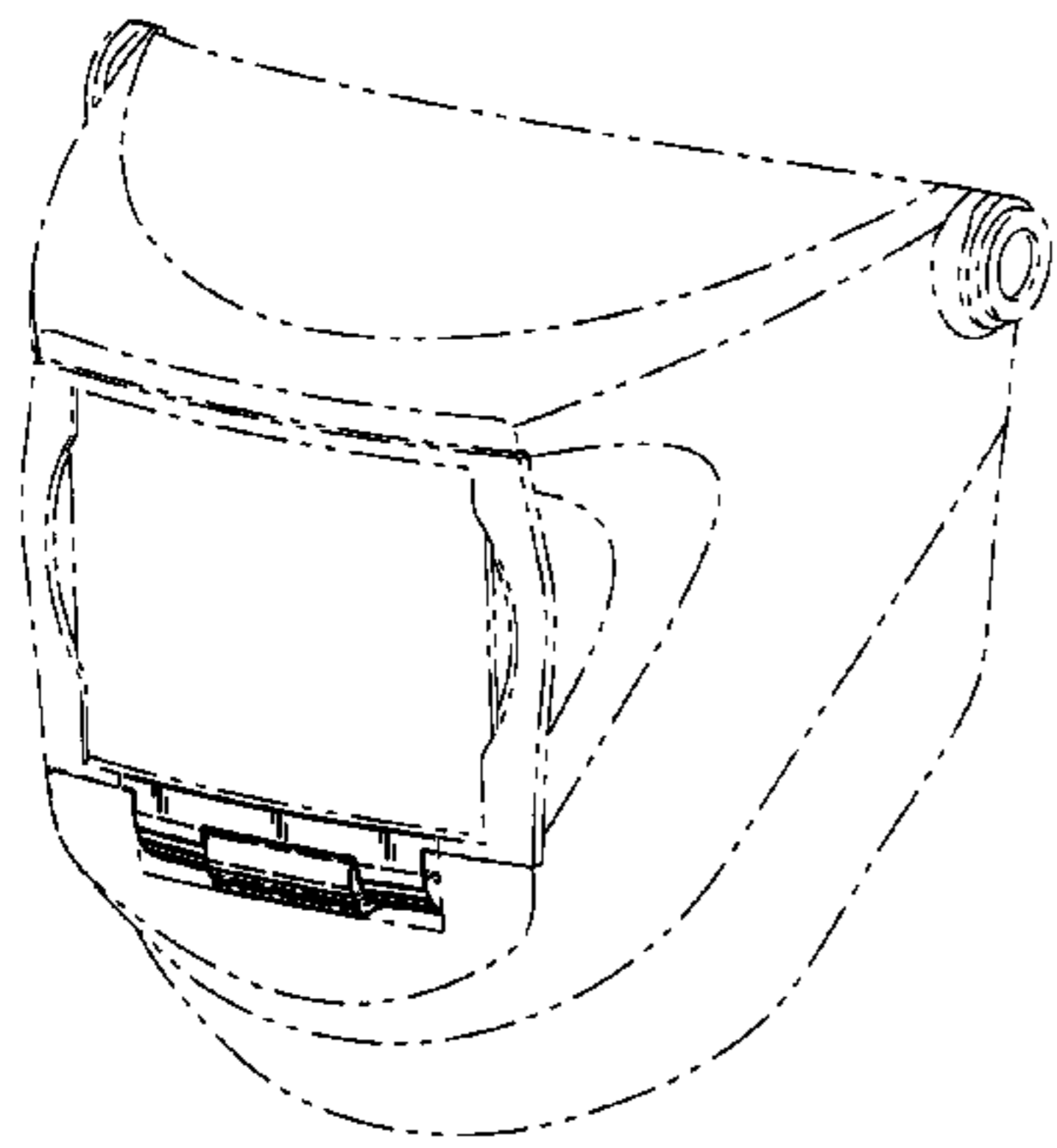
(57) **CLAIM**

The ornamental design for a hinge for a welding helmet window, as shown and described.

DESCRIPTION

FIG. 1 is a front perspective view of a hinge for a welding helmet window showing our new design;
FIG. 2 is a front view thereof;
FIG. 3 is a left side view, the right side view being a mirror image thereof;
FIG. 4 is a rear view thereof;
FIG. 5 is a top view thereof; and,
FIG. 6 is a bottom view thereof.
The detail shown in the broken lines form no part of the claimed design.

1 Claim, 3 Drawing Sheets



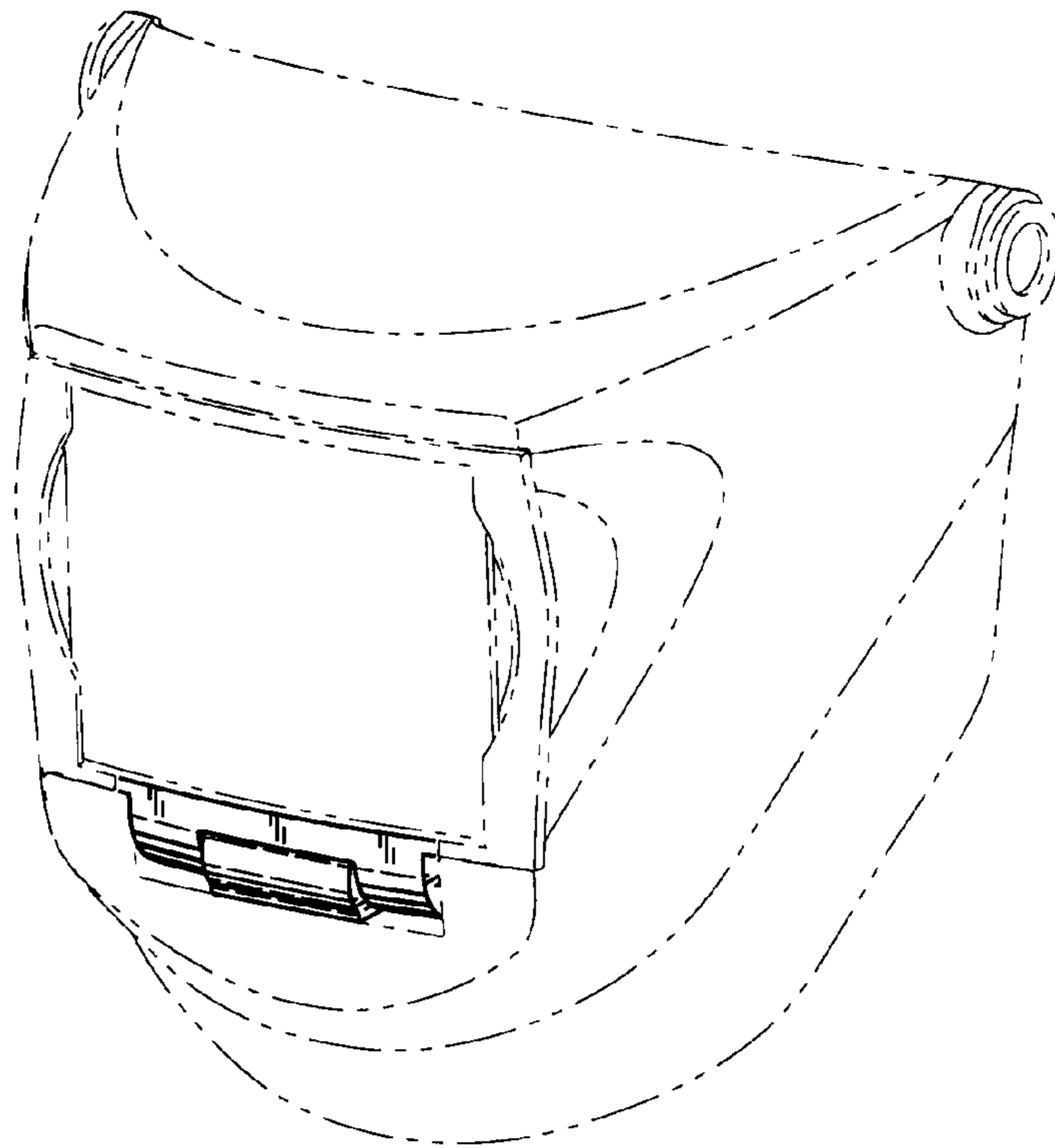


Fig. 1

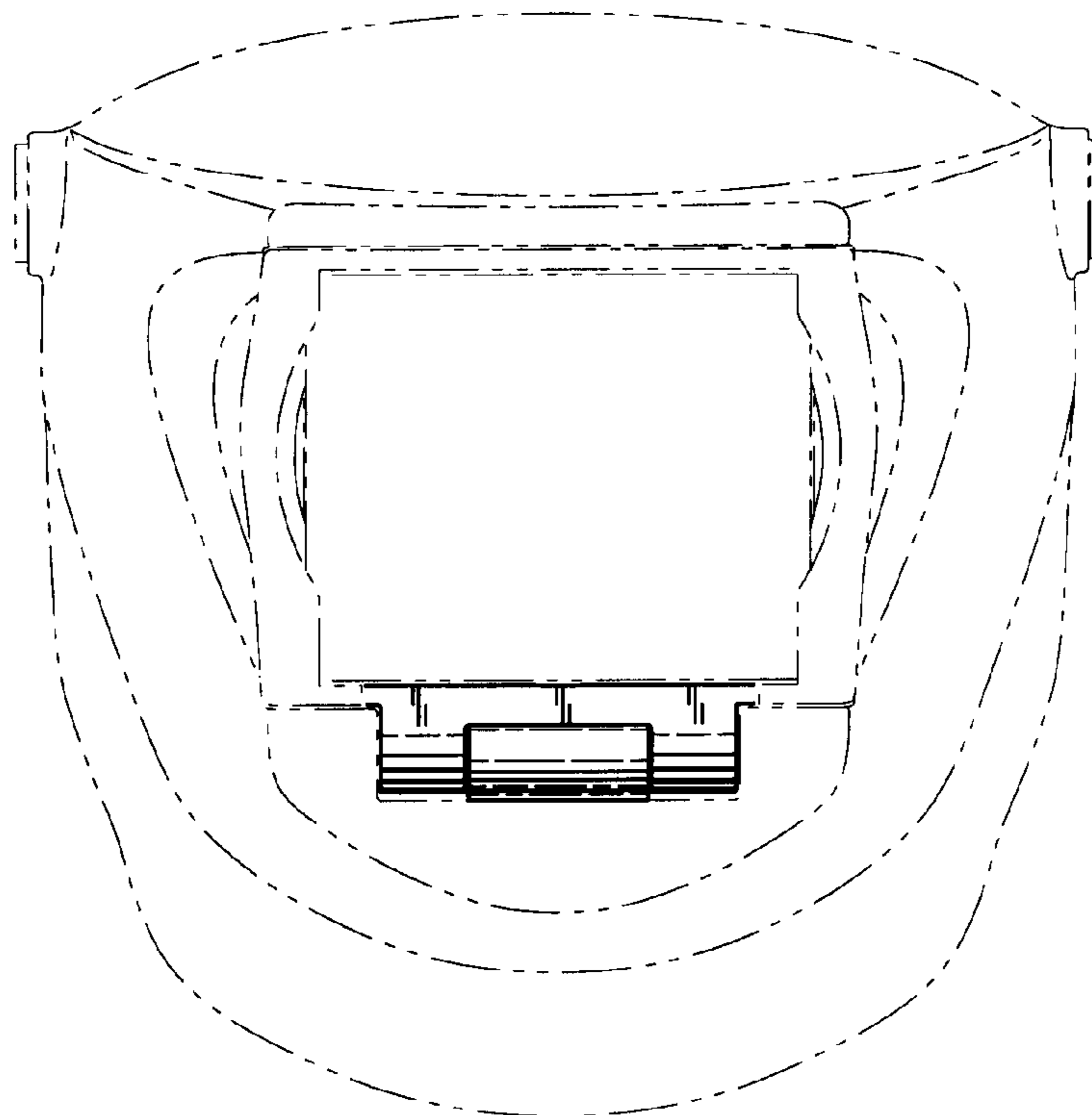


Fig. 2

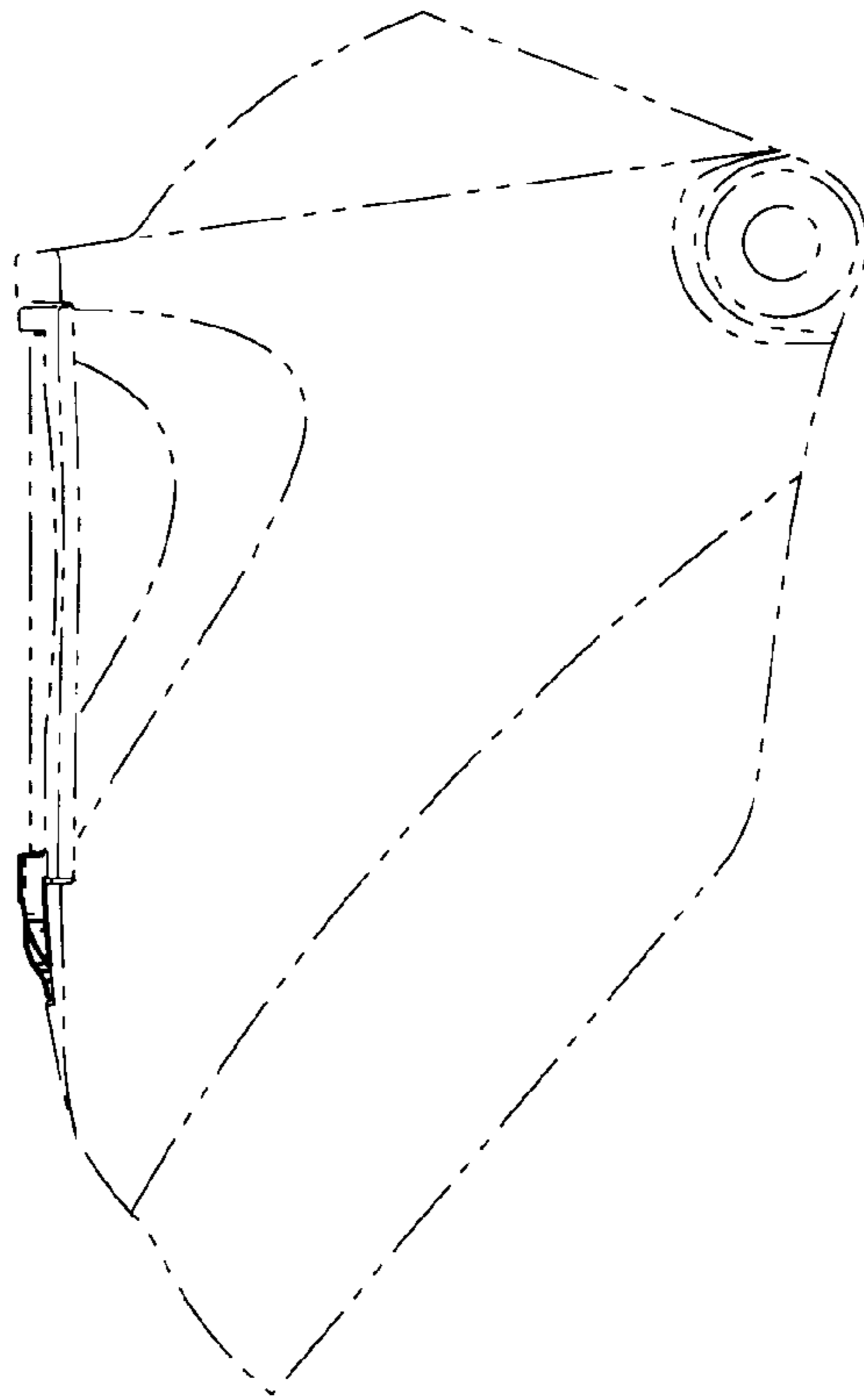


Fig. 3

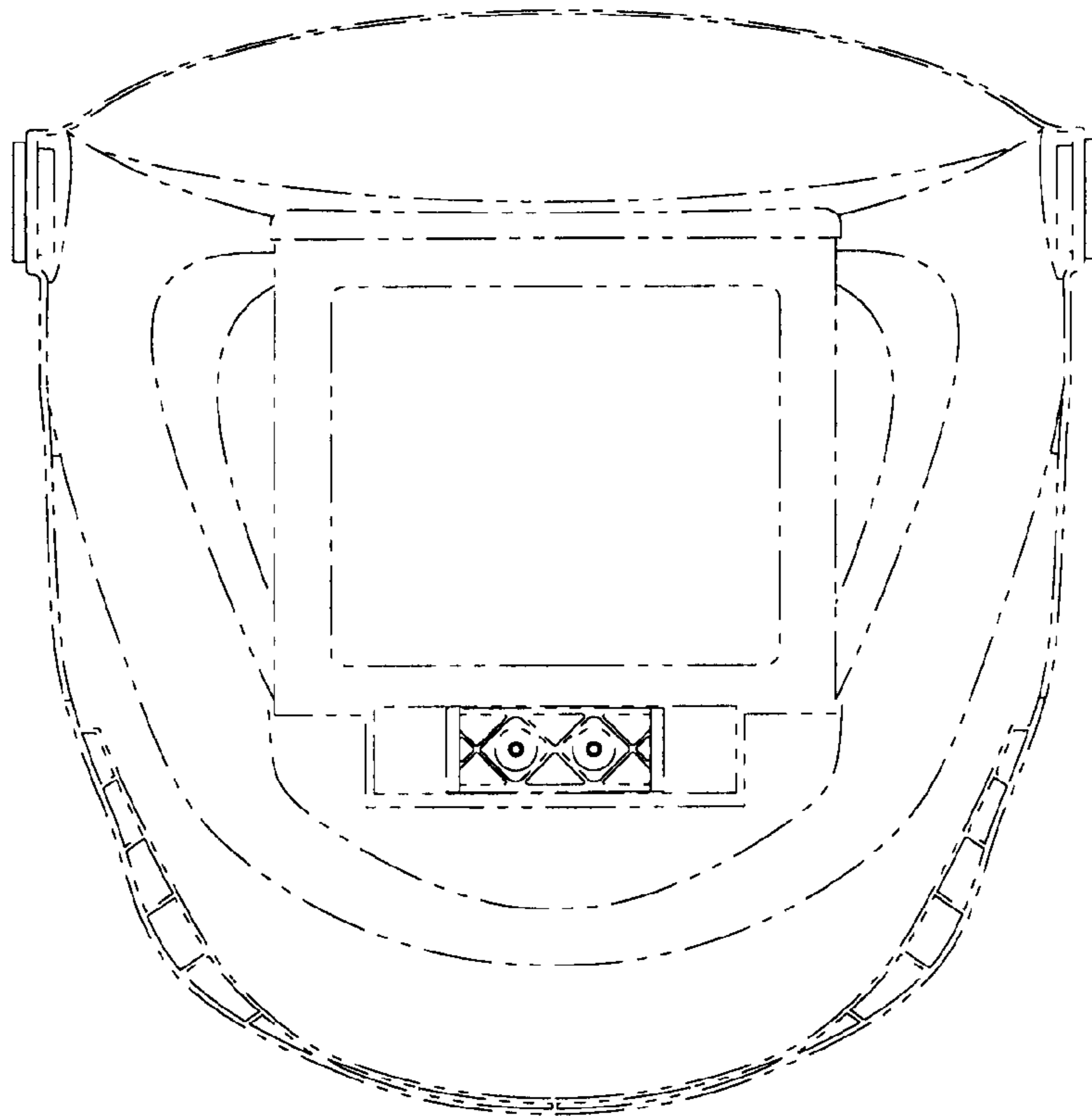


Fig. 4

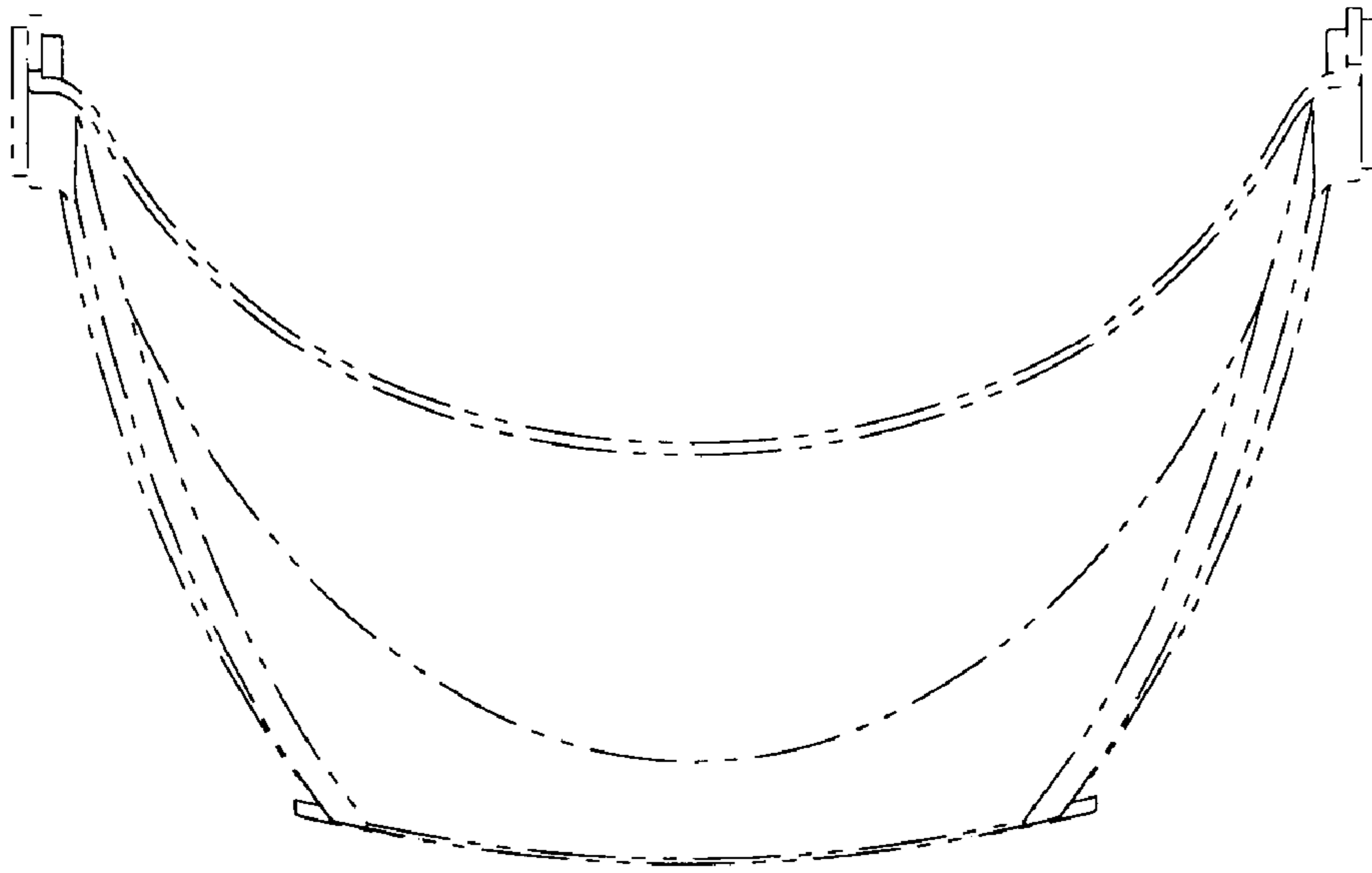


Fig. 5

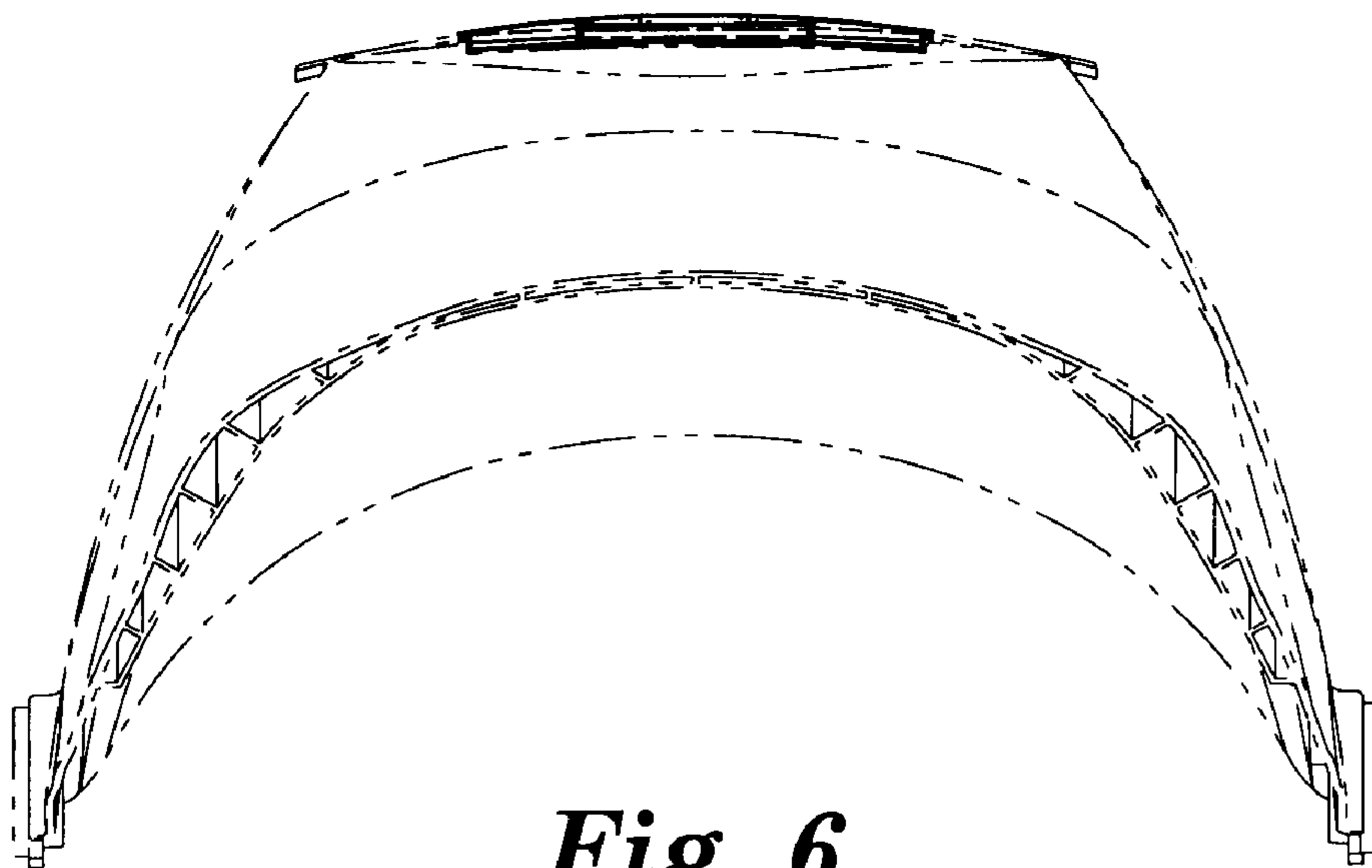


Fig. 6