



US00D523725S

(12) **United States Design Patent**
Chen

(10) **Patent No.:** **US D523,725 S**
(45) **Date of Patent:** **** Jun. 27, 2006**

(54) **HANDLE FOR A SLIDING GLASS DOOR**

(76) Inventor: **Kuei Yung Wang Chen**, 201 Tung Hwa N. Road, Taipei (TW)

(**) Term: **14 Years**

(21) Appl. No.: **29/214,006**

(22) Filed: **Sep. 28, 2004**

(51) **LOC (8) Cl.** **08-06**

(52) **U.S. Cl.** **D8/301; D8/302; D8/315**

(58) **Field of Classification Search** D8/300, D8/301, 302, 308, 310, 315, 320, 353; 292/23, 292/26, 97, 356, 357, 336.3; 70/95-100; 16/110.1, 412, 415, 416, 443
See application file for complete search history.

(56) **References Cited**

U.S. PATENT DOCUMENTS

D175,851 S	*	10/1955	Ohno	D8/302
D198,362 S	*	6/1964	Munro	D8/302
D330,839 S	*	11/1992	Barrington et al.	D8/315
D339,280 S	*	9/1993	Bray et al.	D8/301
D397,604 S	*	9/1998	Libby et al.	D8/301
D423,321 S	*	4/2000	Maier	D8/302
D427,878 S	*	7/2000	Frey	D8/302
D433,916 S	*	11/2000	Frey	D8/302
D467,784 S	*	12/2002	Maier	D8/301
D482,592 S	*	11/2003	Thuma	D8/315

6,945,572 B1 * 9/2005 Hauber 292/97

* cited by examiner

Primary Examiner—Paula A. Greene

(74) *Attorney, Agent, or Firm*—Joseph L. Strabala, Esq.

(57) **CLAIM**

I claim the ornamental design for a handle for a sliding glass door, as shown and described.

DESCRIPTION

FIG. 1 is a top front perspective view of the new handle showing my new design.

FIG. 2 is a top rear perspective view of the new handle showing my new design.

FIG. 3 is a front elevation view thereof.

FIG. 4 is a rear elevation thereof.

FIG. 5 is a end front elevation thereof with a portion of a sliding door illustrated with broken lines.

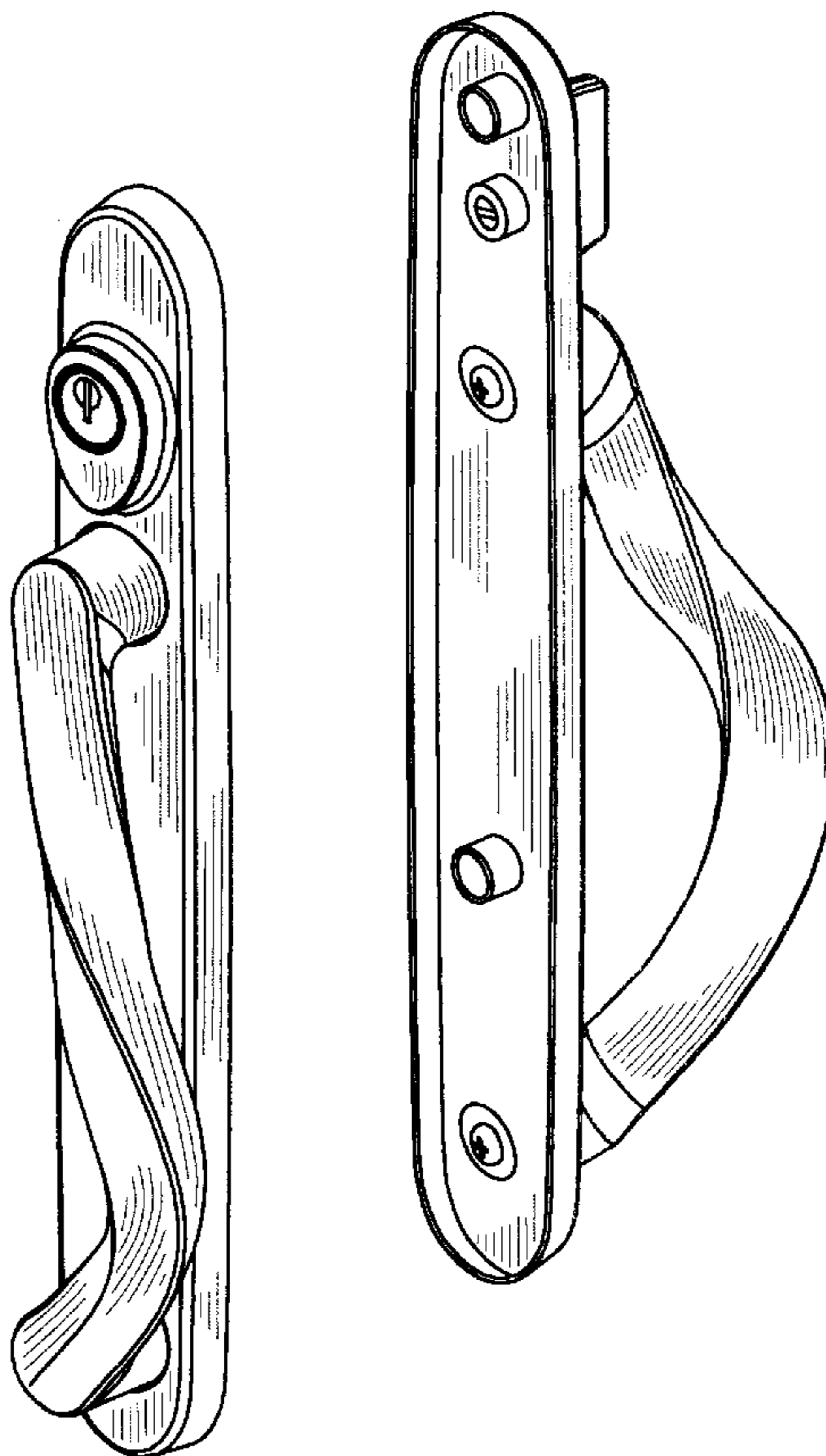
FIG. 6 an end rear elevation thereof with a portion of a sliding door illustrated with broken lines.

FIG. 7 is a top plan view thereof with a portion of a sliding door illustrated with broken lines; and,

FIG. 8 is a bottom plan view thereof with a portion of a sliding door illustrated with broken lines.

The broken lines in FIGS. 5,6,7,and 8 are for illustrative purposes only and forms no part of the claimed design.

1 Claim, 6 Drawing Sheets



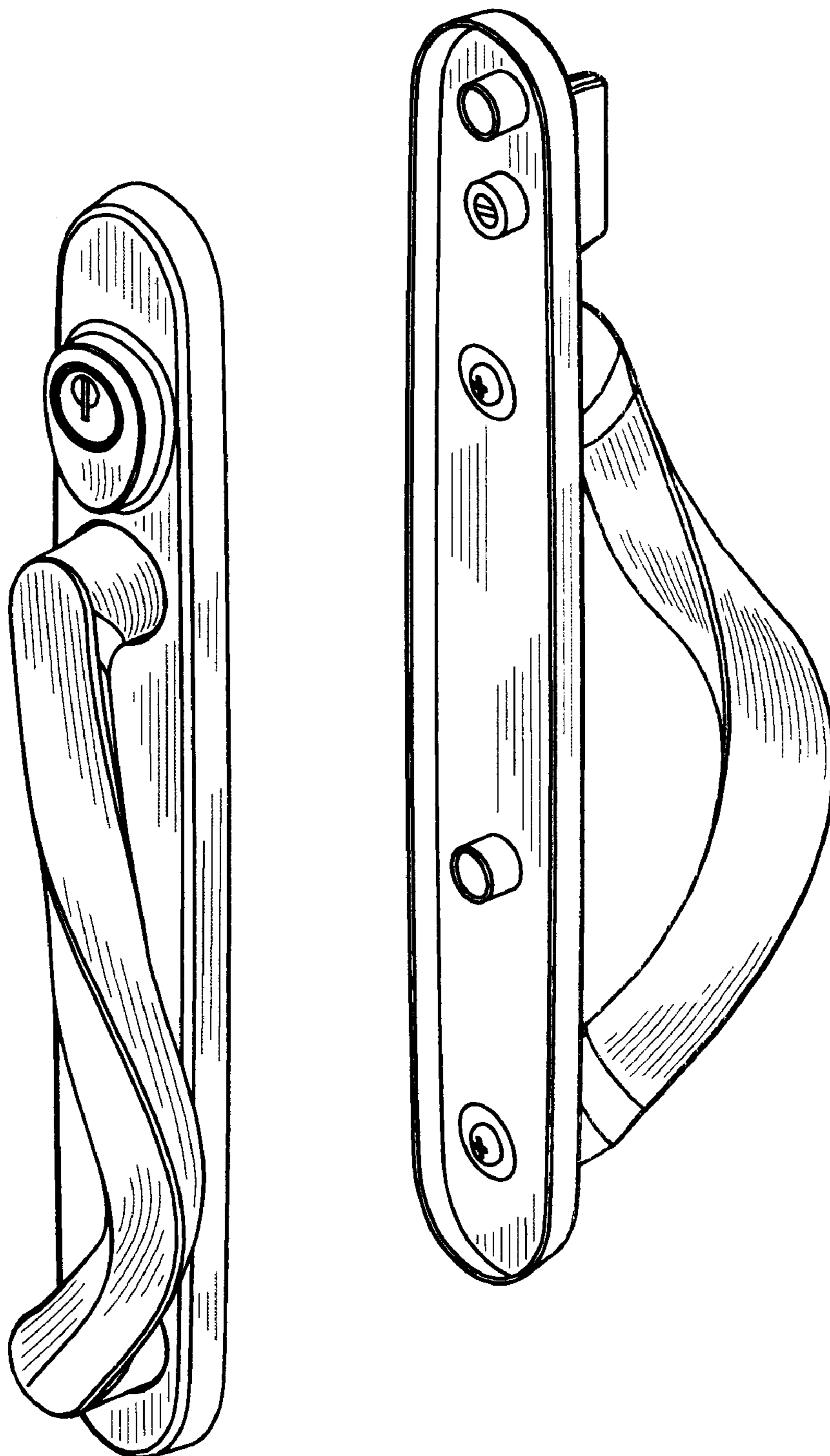


FIG. 1

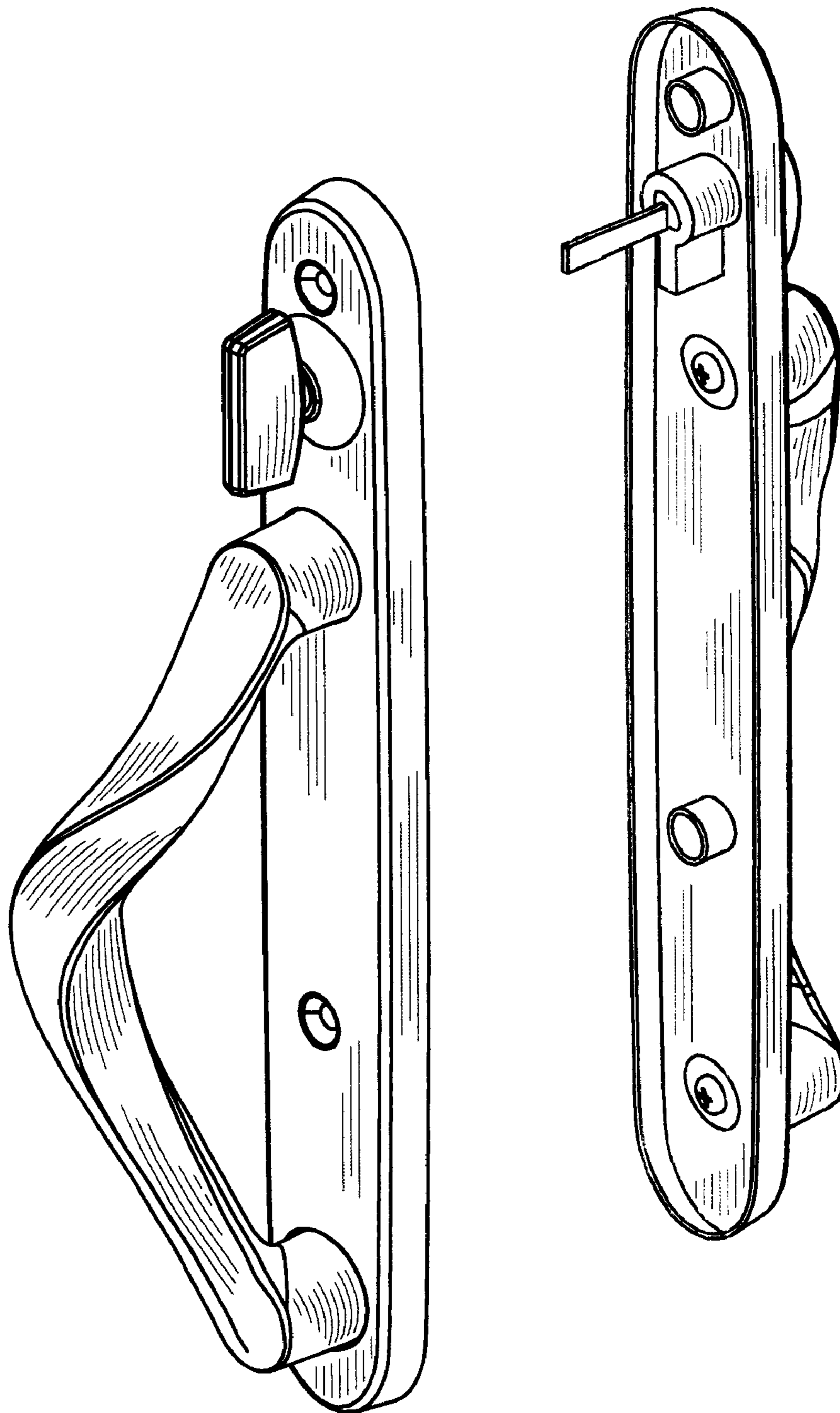


FIG. 2

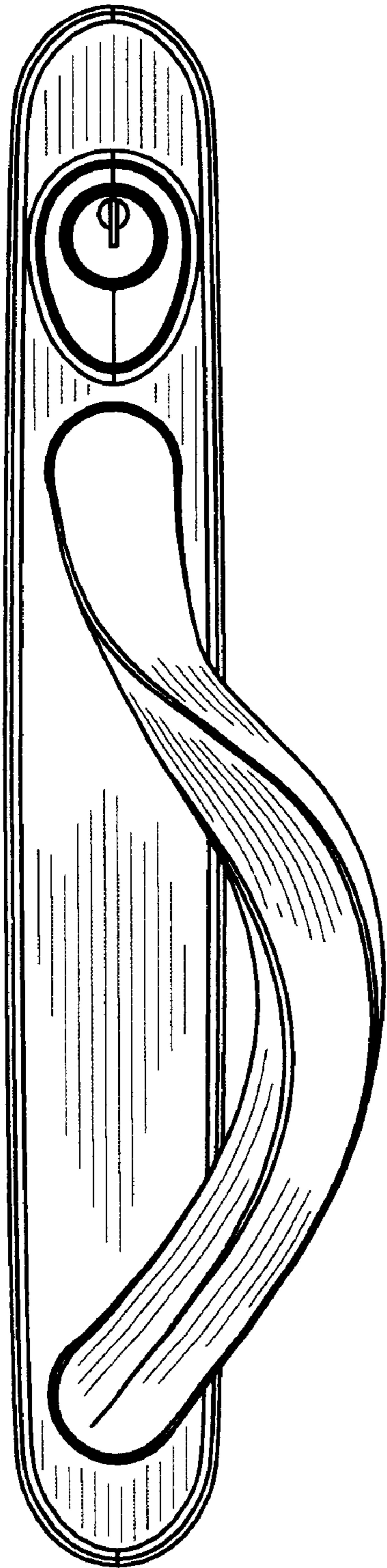


FIG. 3

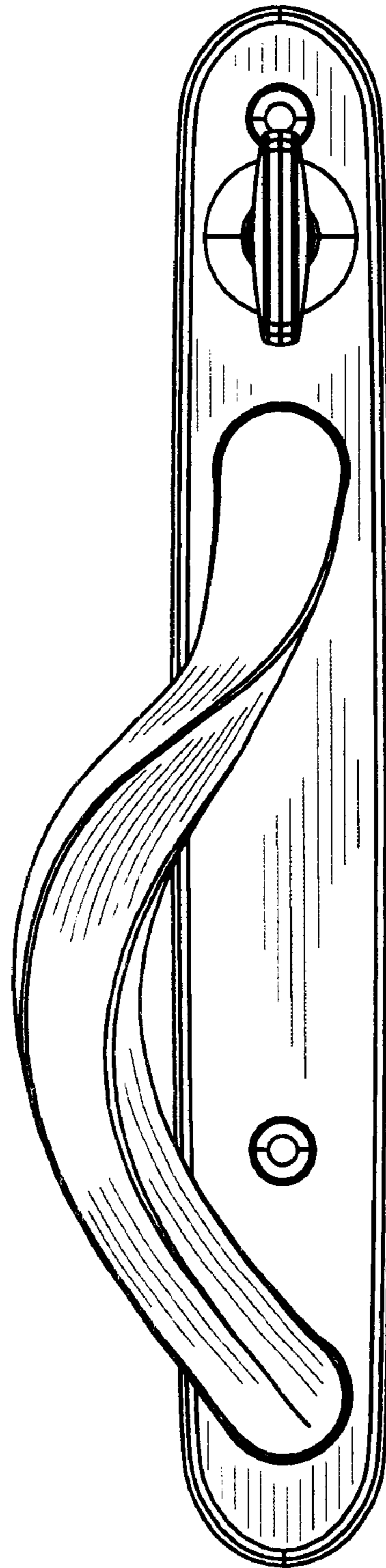


FIG. 4

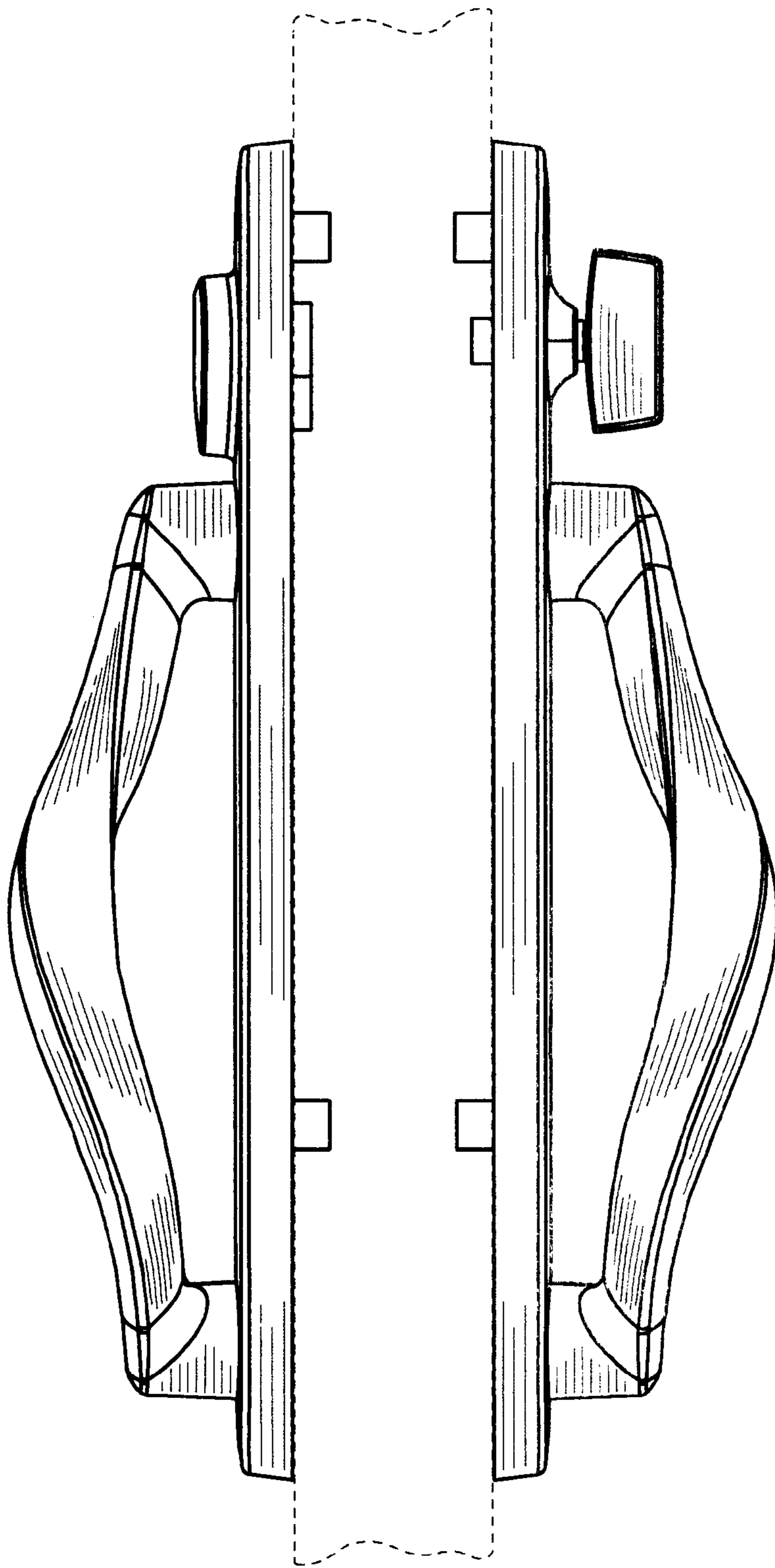


FIG. 5

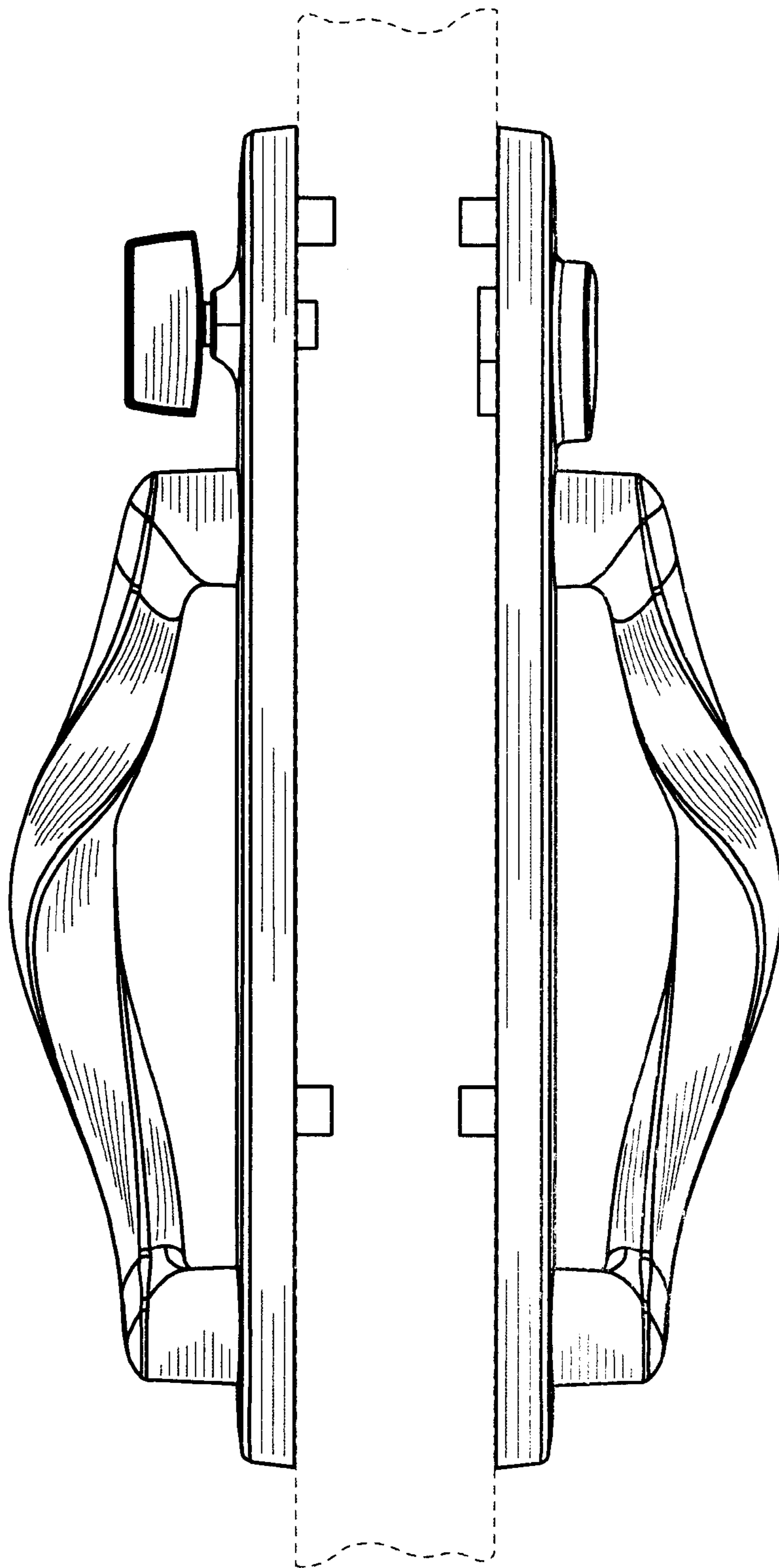


FIG. 6

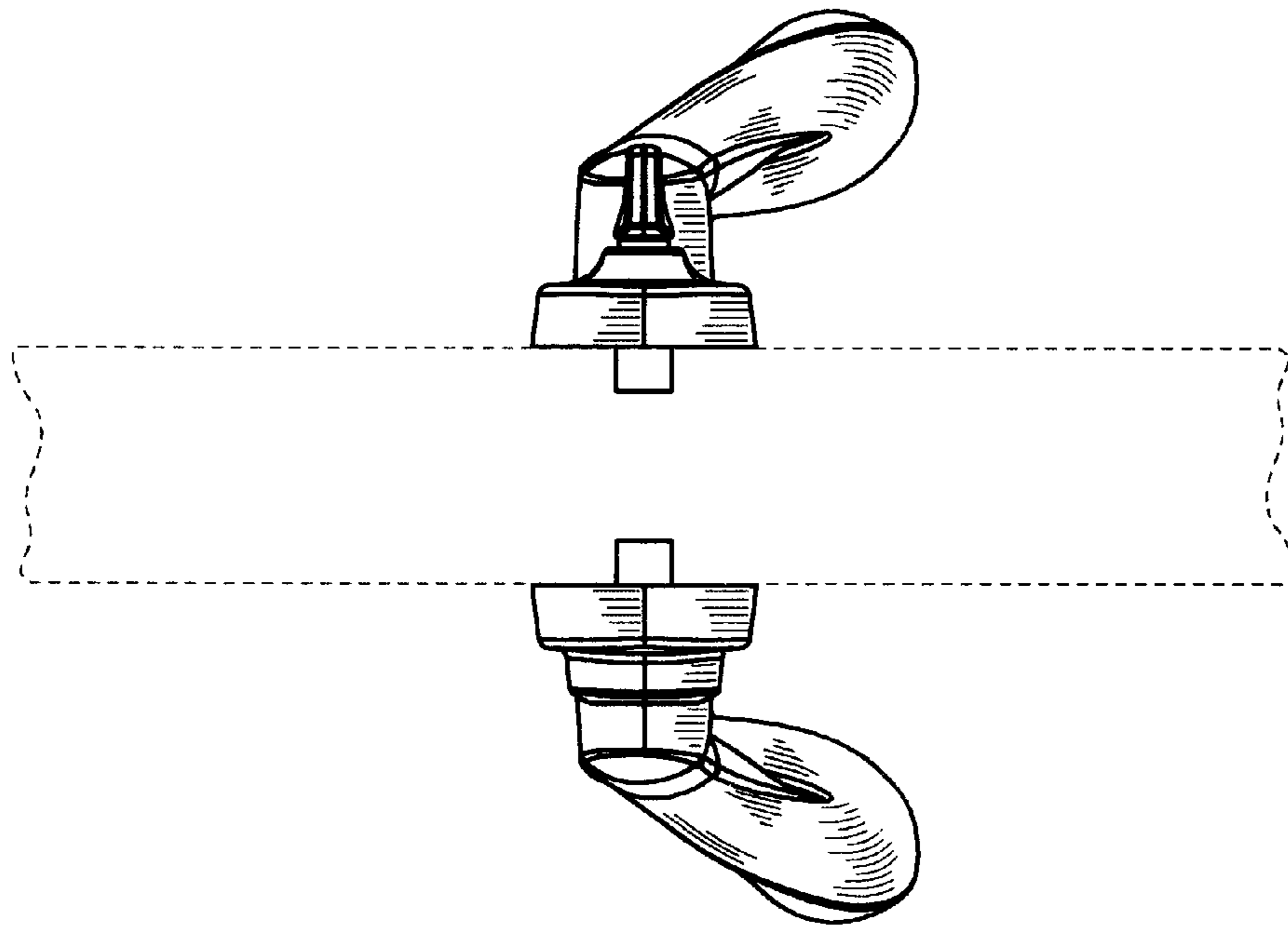


FIG. 7

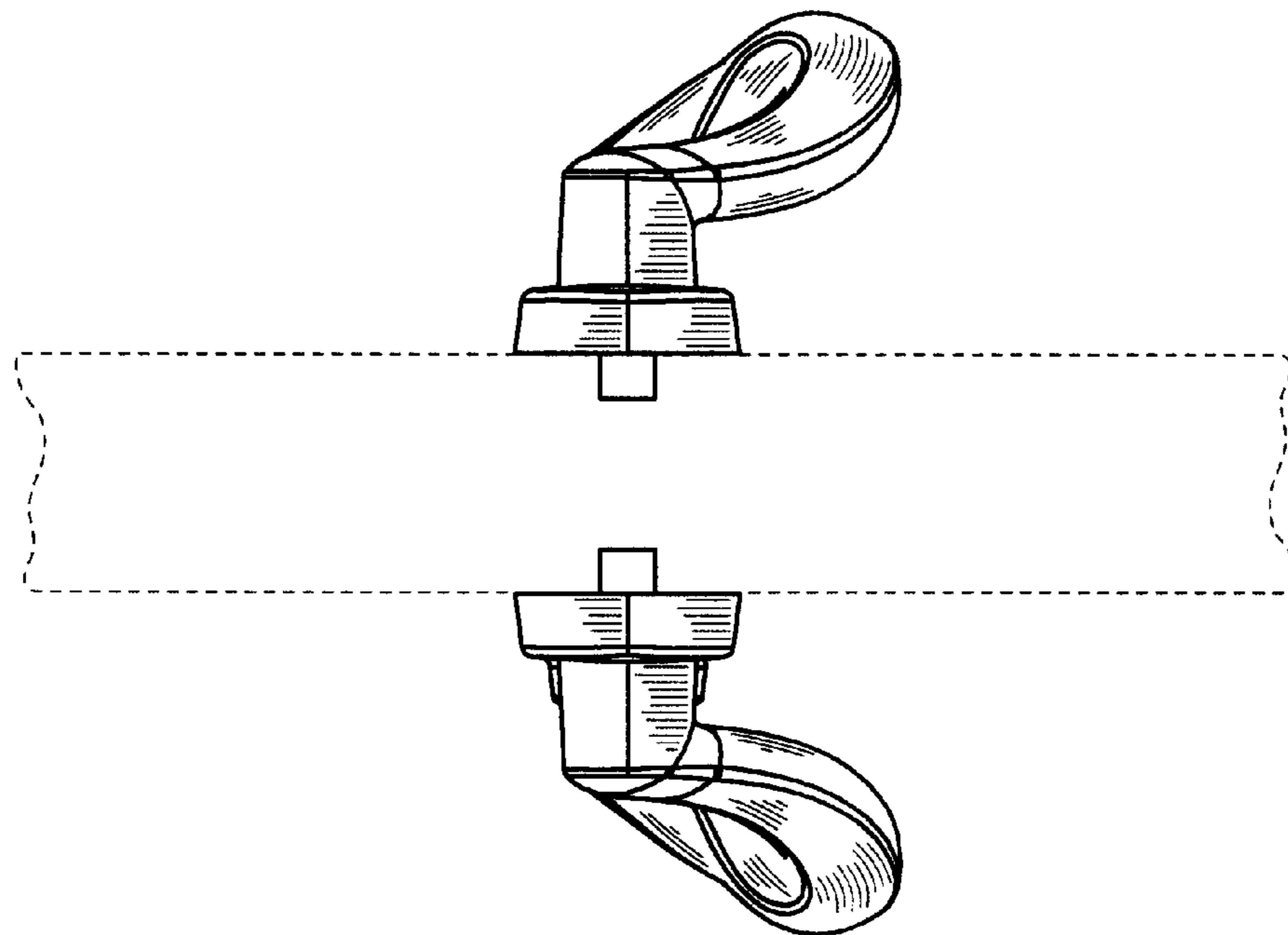


FIG. 8