



US00D523722S

(12) **United States Design Patent**
Welsh

(10) **Patent No.:** **US D523,722 S**

(45) **Date of Patent:** **** Jun. 27, 2006**

(54) **SAW HANDLE**

(75) Inventor: **Robert Welsh**, Hunt Valley, MD (US)

(73) Assignee: **Black & Decker Inc.**, Newark, DE (US)

(**) Term: **14 Years**

(21) Appl. No.: **29/199,669**

(22) Filed: **Feb. 18, 2004**

(51) **LOC (8) Cl.** **08-03**

(52) **U.S. Cl.** **D8/97**

(58) **Field of Classification Search** D8/95,
D8/96, 97, 98, 99, 107; 30/506, 507, 508,
30/509, 511, 512, 513, 514, 517, 522
See application file for complete search history.

(56) **References Cited**

U.S. PATENT DOCUMENTS

327,776 A	10/1885	Eisenhardt
946,163 A	1/1910	Speyer
1,119,787 A	12/1914	Pause
2,017,895 A	10/1935	Davey
2,137,800 A	11/1938	Davey
2,149,241 A	2/1939	Davey
2,282,902 A	5/1942	Sultan
2,606,584 A	8/1952	Derr
2,890,732 A	6/1959	Westlund, Jr.
3,837,024 A	9/1974	Saunders
3,840,059 A	10/1974	Ingro
4,180,110 A	12/1979	Tauscher
D259,328 S	5/1981	Covey

D269,848 S	7/1983	Covey	
D276,407 S	* 11/1984	Jacoff	D8/96
4,630,368 A	12/1986	Izzi, Sr.	
D310,318 S	9/1990	Backman	
D318,006 S	* 7/1991	Wanner et al.	D8/96
D321,119 S	* 10/1991	Cicccone, III et al.	D8/97
D333,249 S	* 2/1993	Cicccone, III et al.	D8/97
D405,673 S	2/1999	Bidstrup et al.	
D409,892 S	* 5/1999	Juhlin	D8/96
D450,555 S	* 11/2001	Juhlin	D8/97
D472,445 S	* 4/2003	Juhlin et al.	D8/96
D477,519 S	* 7/2003	Seloron	D8/96

* cited by examiner

Primary Examiner—Philip S. Hyder

(74) *Attorney, Agent, or Firm*—Harness, Dickey & Pierce, P.L.C.

(57) **CLAIM**

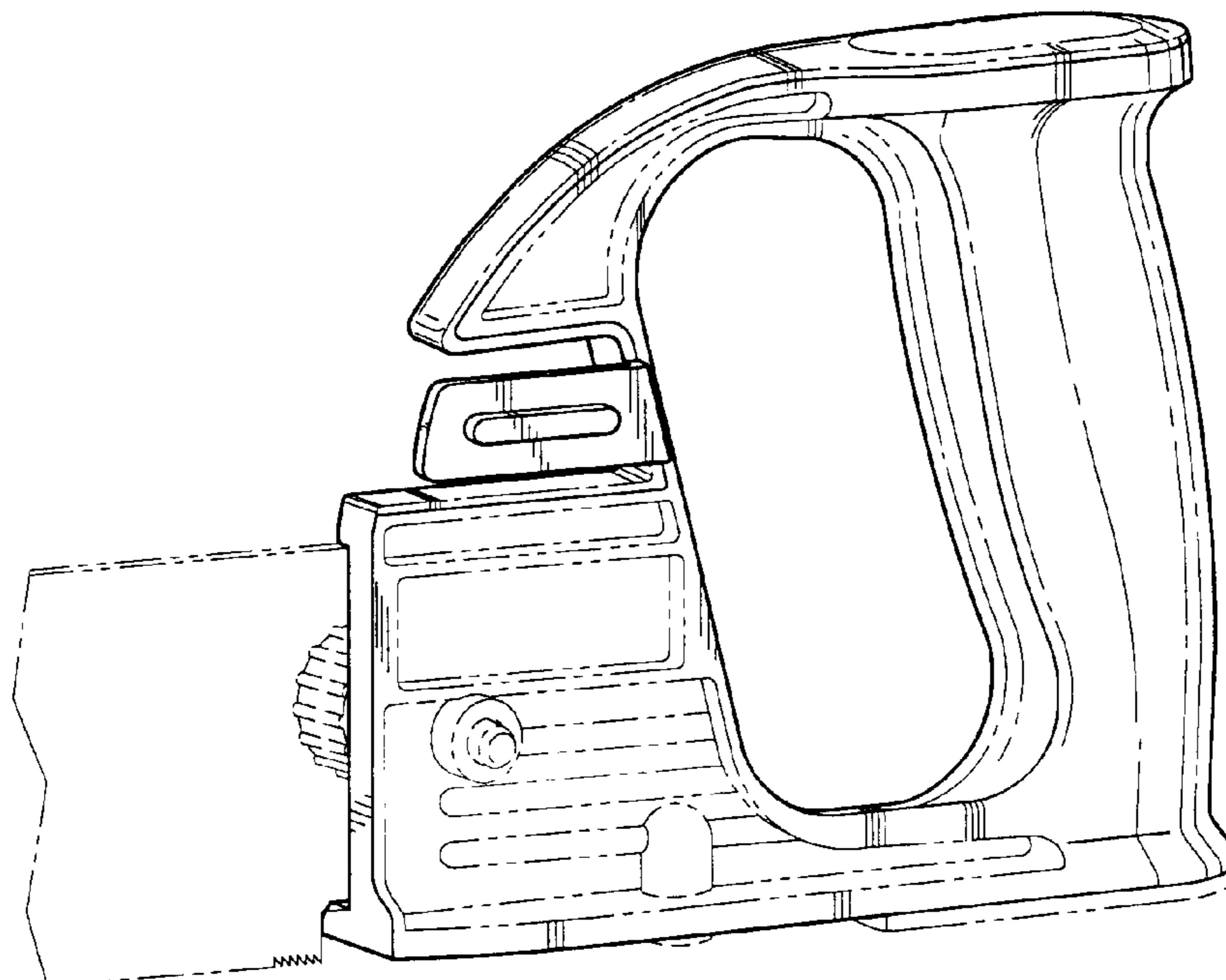
The ornamental design for a saw handle, as shown and described.

DESCRIPTION

FIG. 1 is a left perspective view of a saw handle;
FIG. 2 is a right perspective view thereof;
FIG. 3 is a left side planar view thereof;
FIG. 4 is a right side planar view thereof;
FIG. 5 is a top view thereof;
FIG. 6 is a bottom view thereof;
FIG. 7 is a back view thereof; and,
FIG. 8 is a front view thereof.

The lines shown in phantom are for illustrative purposes only, and do not form any part of the invention.

1 Claim, 3 Drawing Sheets



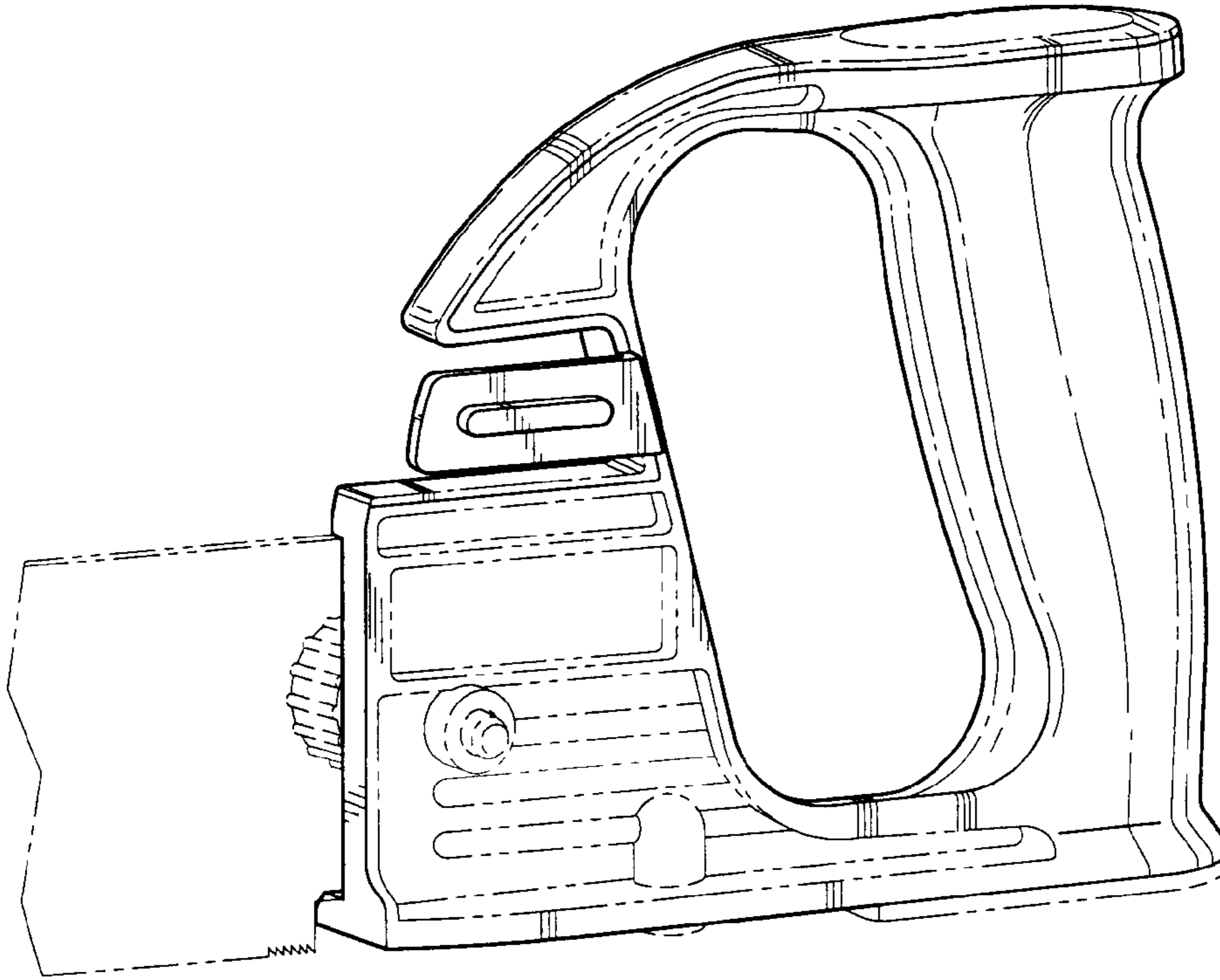


Fig-1

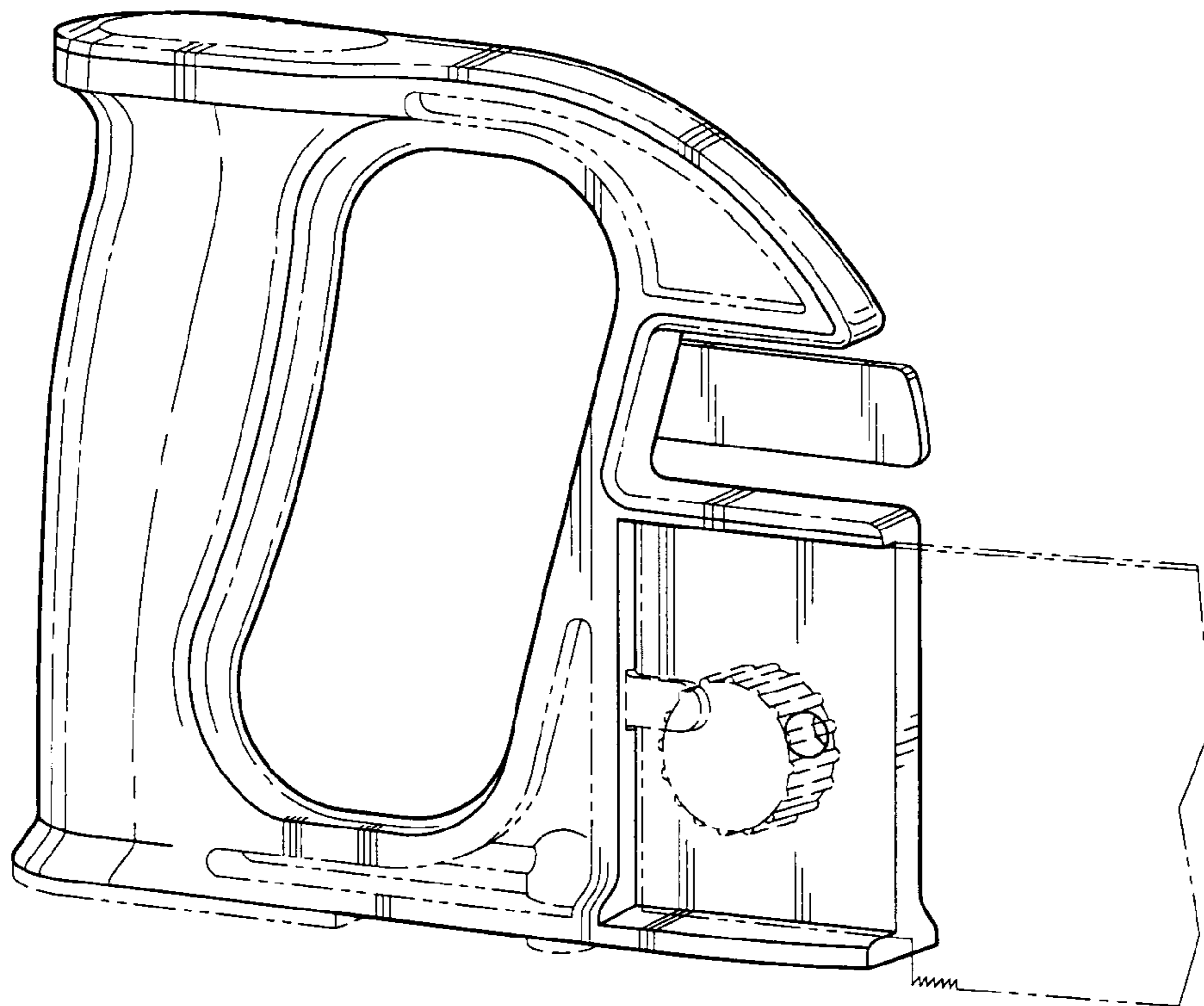


Fig-2

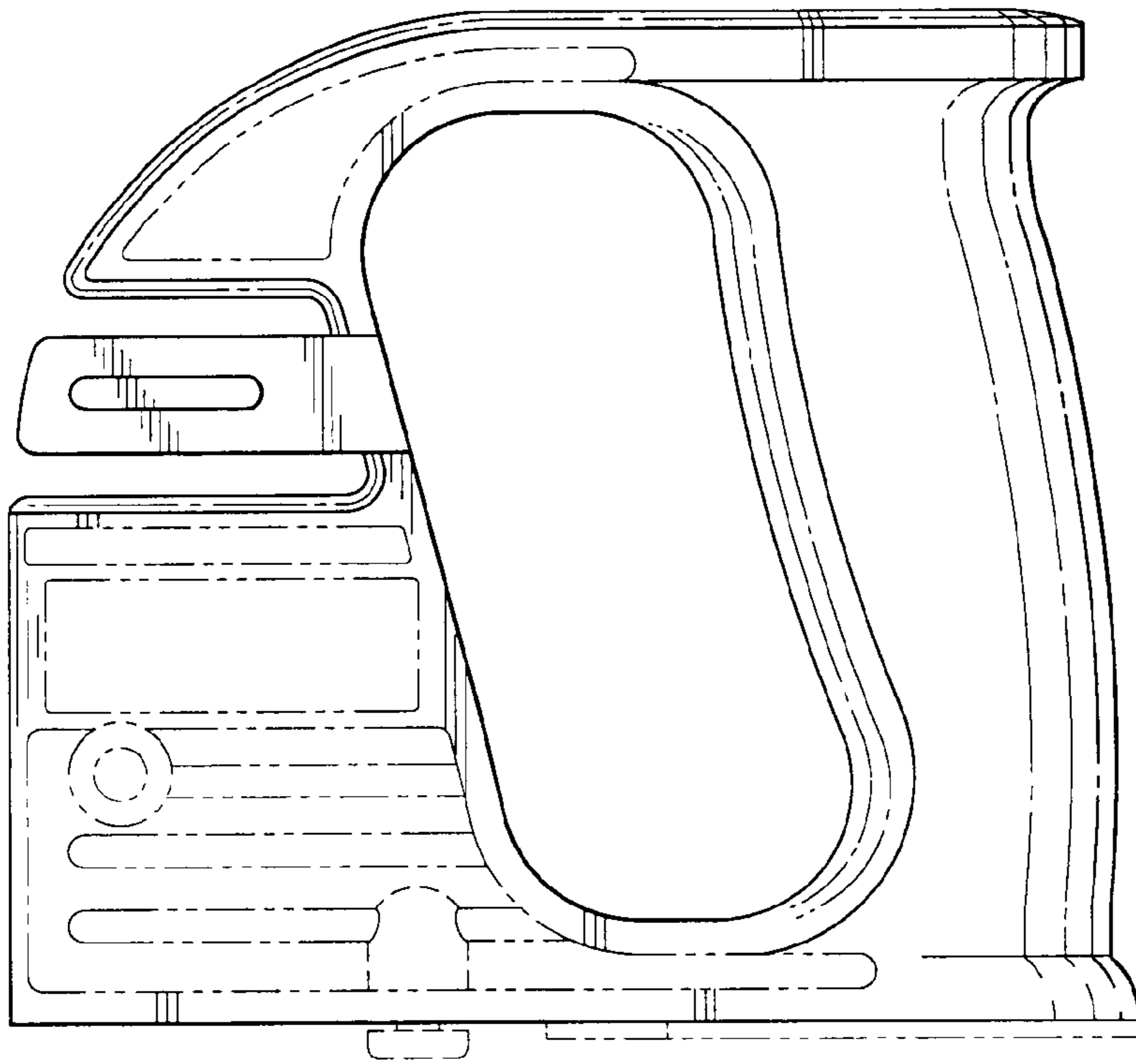


Fig-3

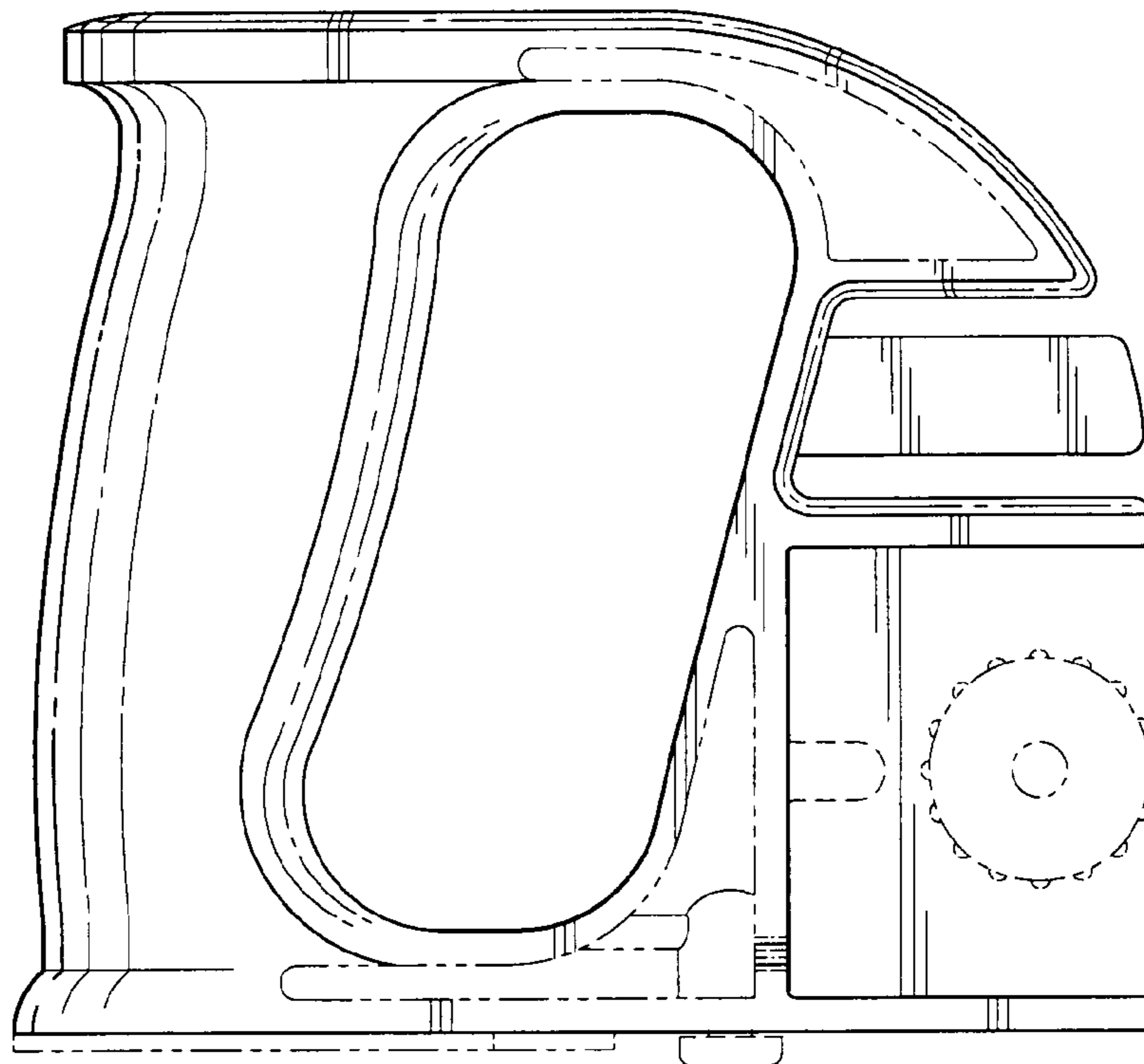


Fig-4

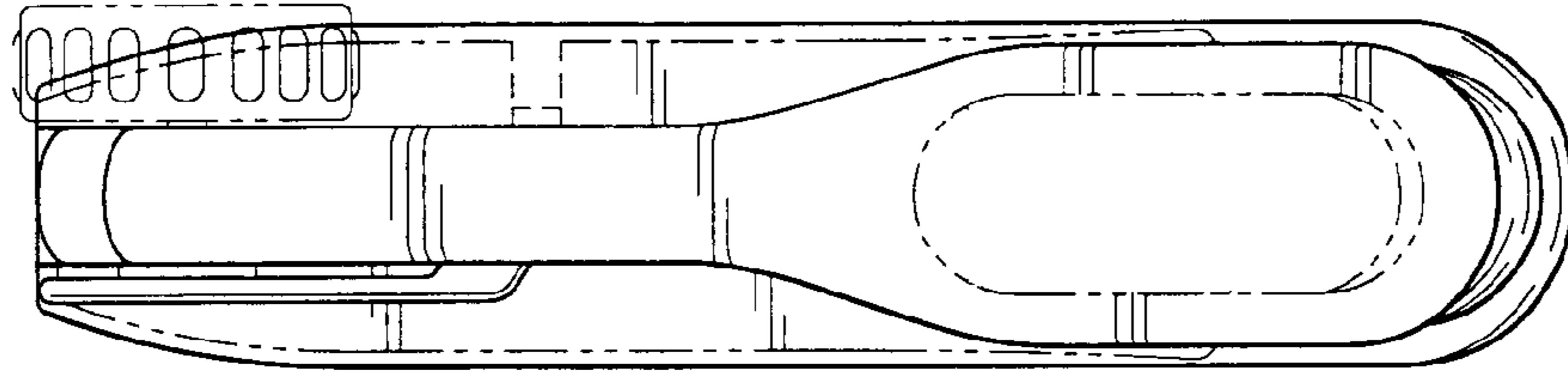


Fig-5

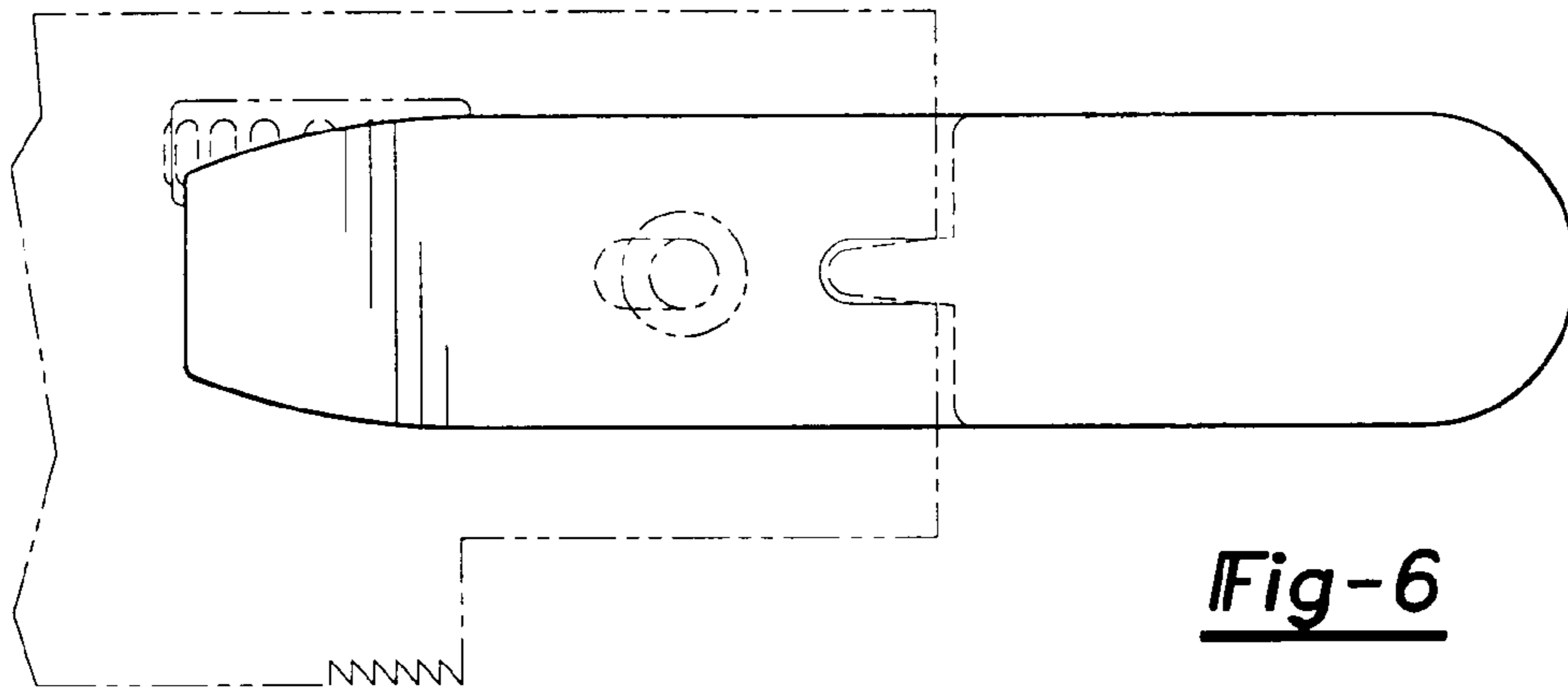


Fig-6

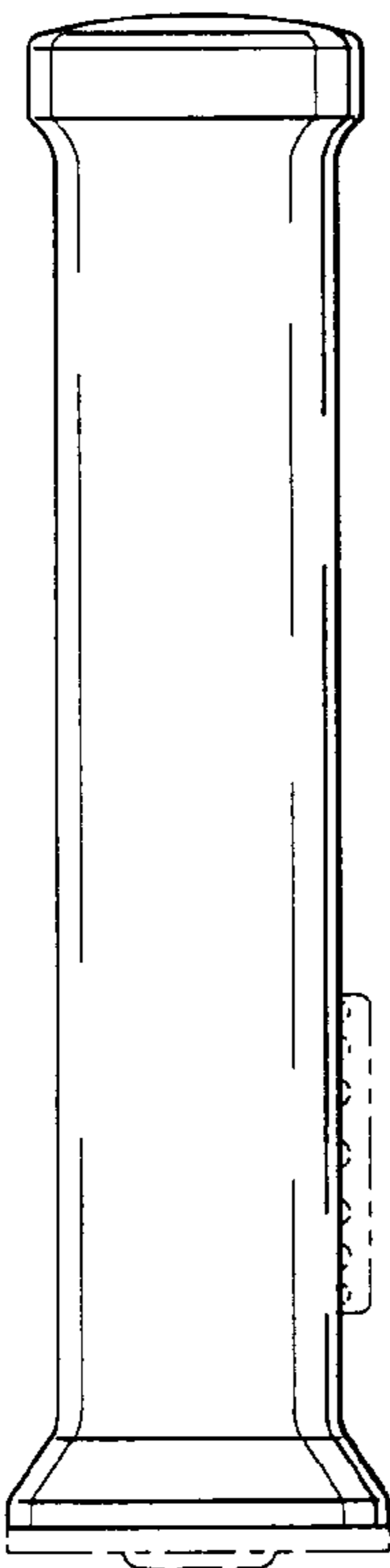


Fig-7

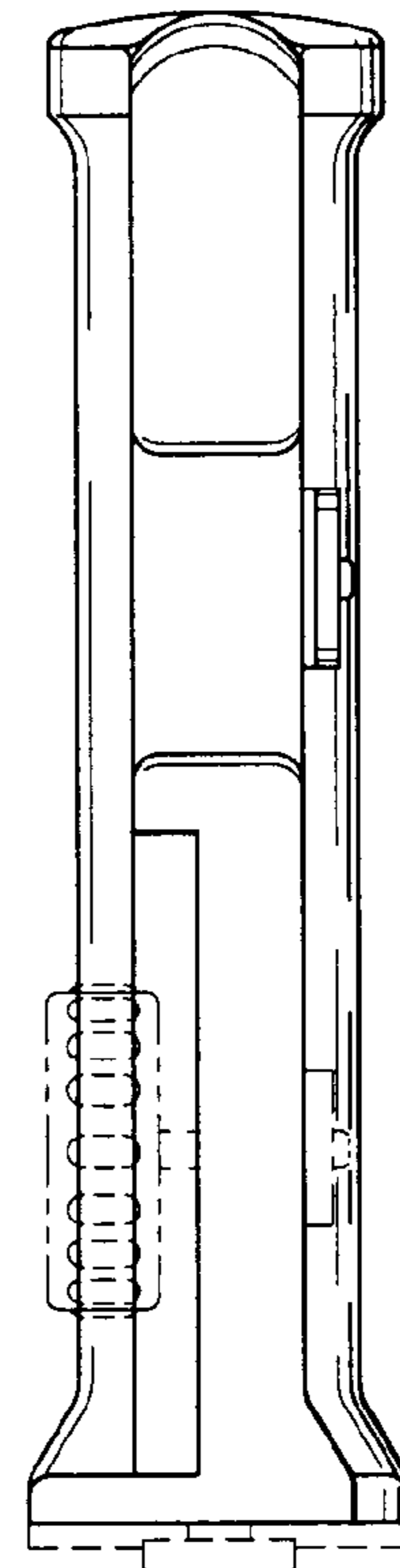


Fig-8