



US00D523719S

(12) **United States Design Patent**
Andriolo

(10) **Patent No.:** **US D523,719 S**
(45) **Date of Patent:** **** Jun. 27, 2006**

(54) **RECIPROCATING SAW**

(75) Inventor: **Paolo Andriolo**, Vicenza (IT)

(73) Assignee: **Positec Power Tools (Suzhou) Co., Ltd.** (CH)

(**) Term: **14 Years**

(21) Appl. No.: **29/215,223**

(22) Filed: **Oct. 4, 2004**

(30) **Foreign Application Priority Data**

Apr. 5, 2004 (CN) 2004 3 0046335

(51) **LOC (8) Cl.** **08-03**

(52) **U.S. Cl.** **D8/64**

(58) **Field of Classification Search** D8/69,
D8/68, 67, 66, 65, 64, 62, 61; 30/92, 394,
30/393, 392, 377, 376, 371; 74/50, 49; 173/217,
173/216; 83/699.21; 446/145

See application file for complete search history.

(56) **References Cited**

U.S. PATENT DOCUMENTS

5,794,352	A *	8/1998	Dassoulas	30/392
D479,453	S *	9/2003	Lind et al.	D8/64
D504,603	S *	5/2005	Xiaoxian	D8/64
6,912,790	B1 *	7/2005	James et al.	30/392
2001/0011420	A1 *	8/2001	Osada	30/392
2002/0138991	A1 *	10/2002	Tachibana et al.	30/392

2003/0163924	A1 *	9/2003	Hempe et al.	30/388
2004/0148789	A1 *	8/2004	Gist et al.	30/392
2005/0092156	A1 *	5/2005	Michel et al.	83/698.11
2005/0126018	A1 *	6/2005	Haas	30/394
2005/0262710	A1 *	12/2005	Moreno	30/394

* cited by examiner

Primary Examiner—Cathron C. Brooks

Assistant Examiner—Austin Murphy

(74) *Attorney, Agent, or Firm*—TraskBritt, P.C.

(57) **CLAIM**

The ornamental design for a reciprocating saw, as shown and described.

DESCRIPTION

FIG. 1 is a first perspective view of a reciprocating saw showing my new design;

FIG. 2 is a second perspective view of the reciprocating saw shown in FIG. 1;

FIG. 3 is a side view of the of the reciprocating saw shown in FIG. 1;

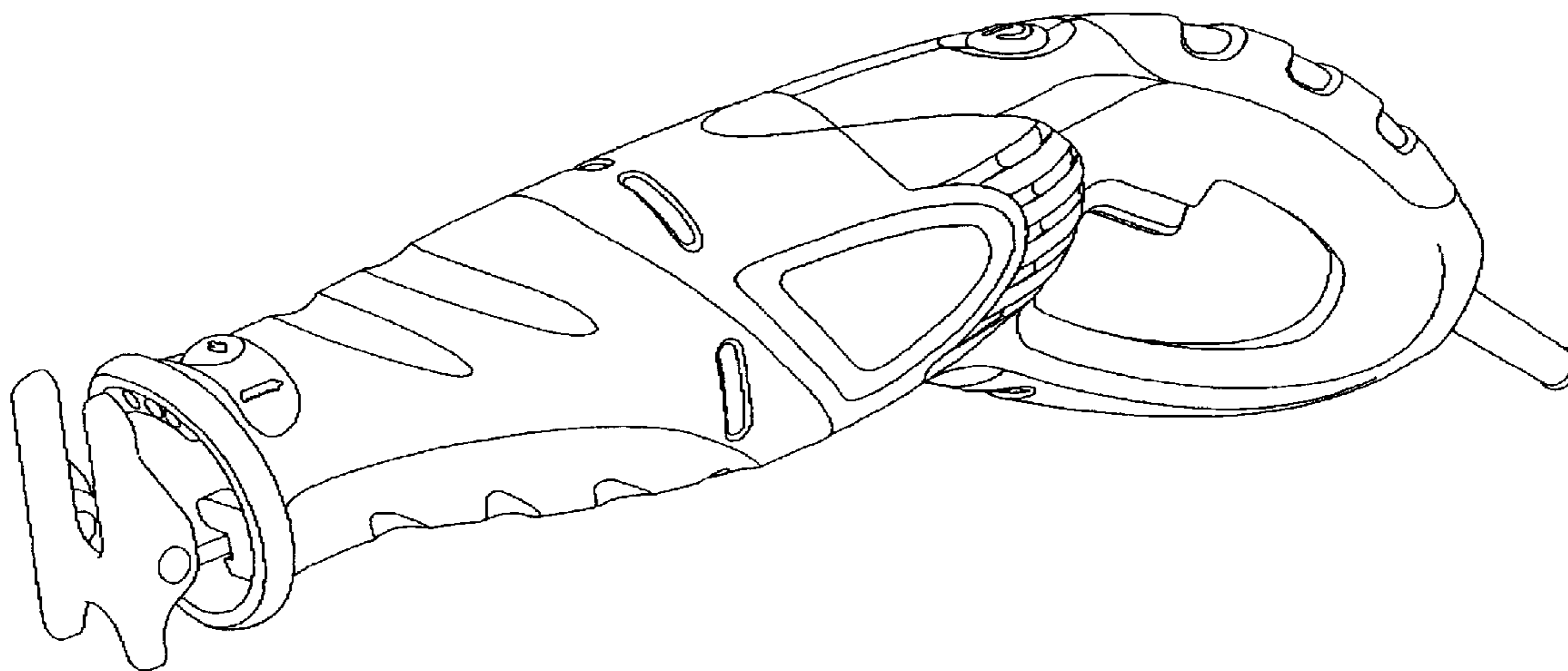
FIG. 4 is a top view of the reciprocating saw shown in FIG. 1;

FIG. 5 is a bottom view of the reciprocating saw shown in FIG. 1;

FIG. 6 is a front elevational view of the reciprocating saw shown in FIG. 1; and,

FIG. 7 is a rear elevational view of the reciprocating saw shown in FIG. 1.

1 Claim, 6 Drawing Sheets



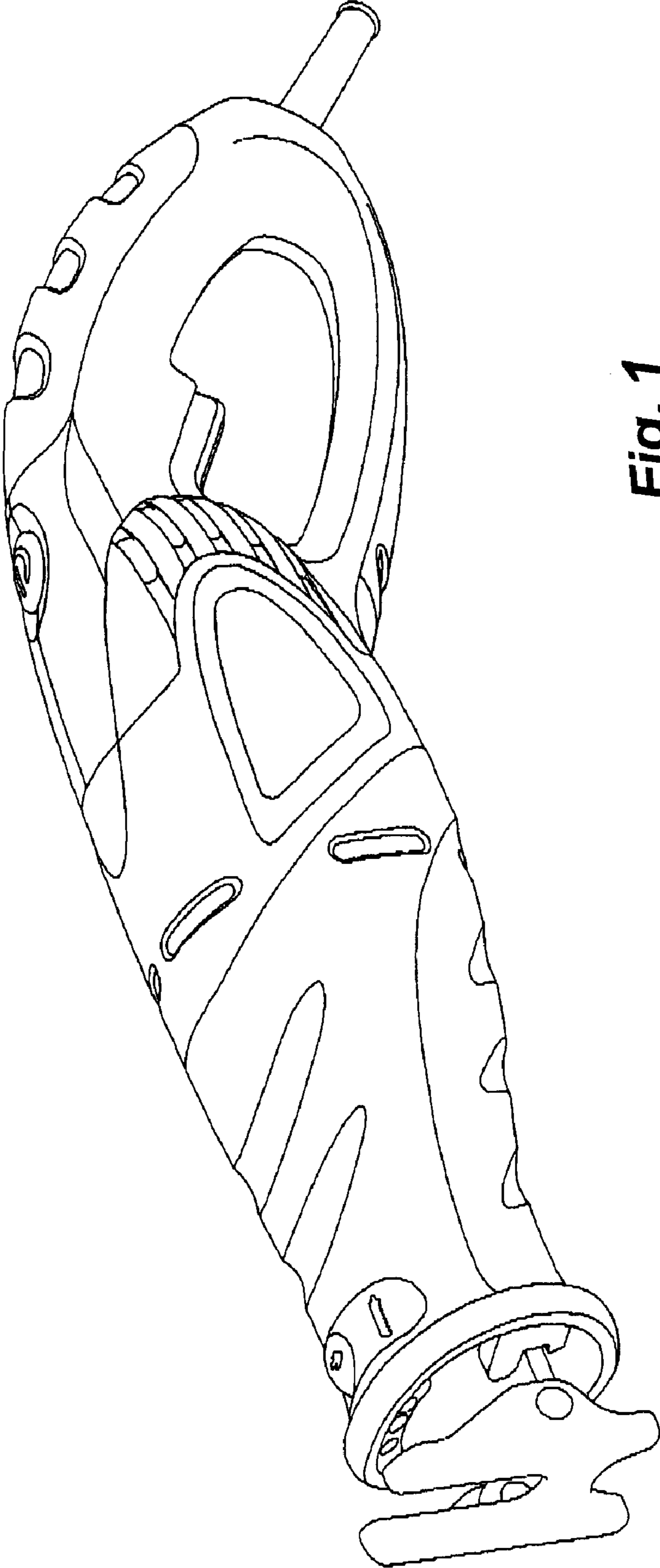


Fig. 1

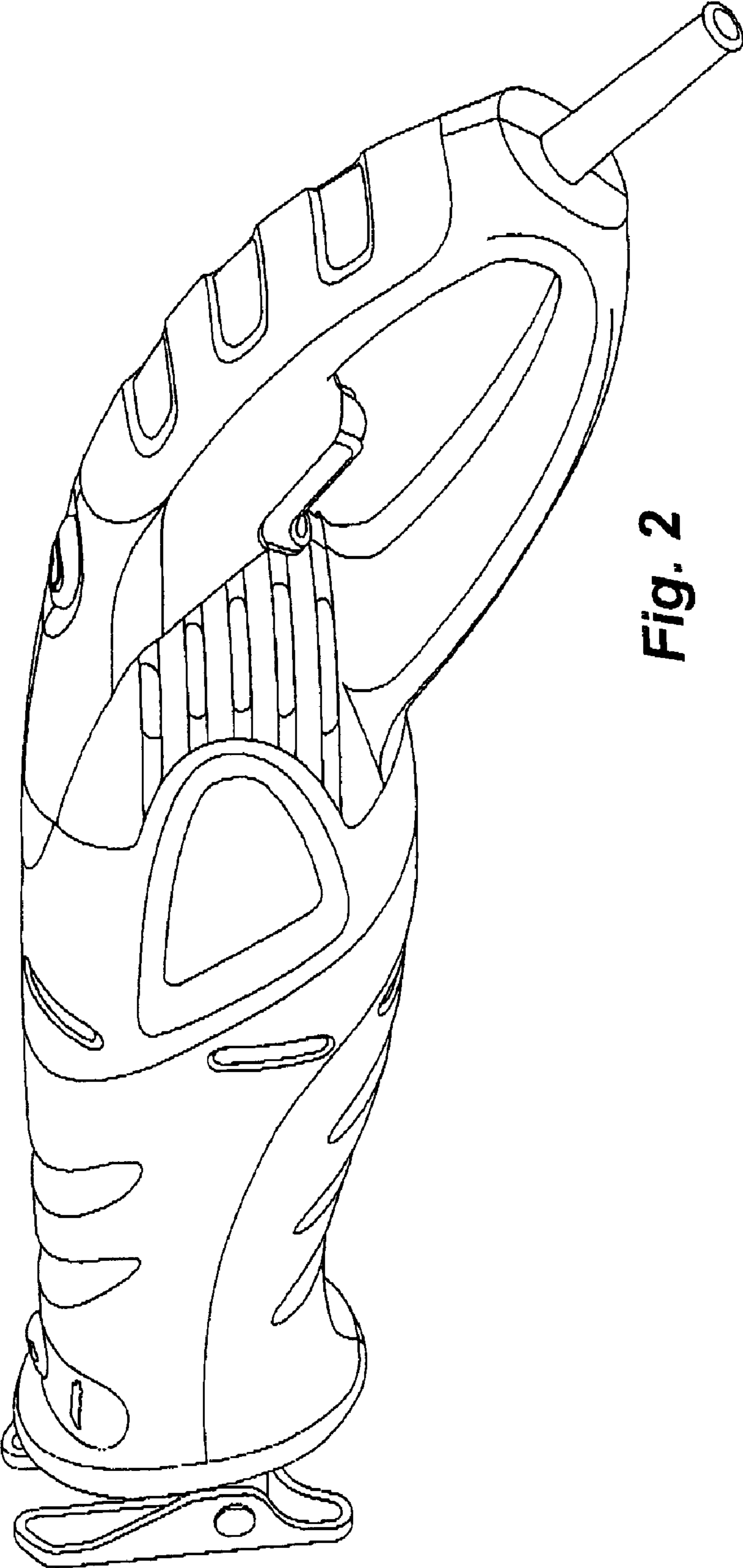


Fig. 2

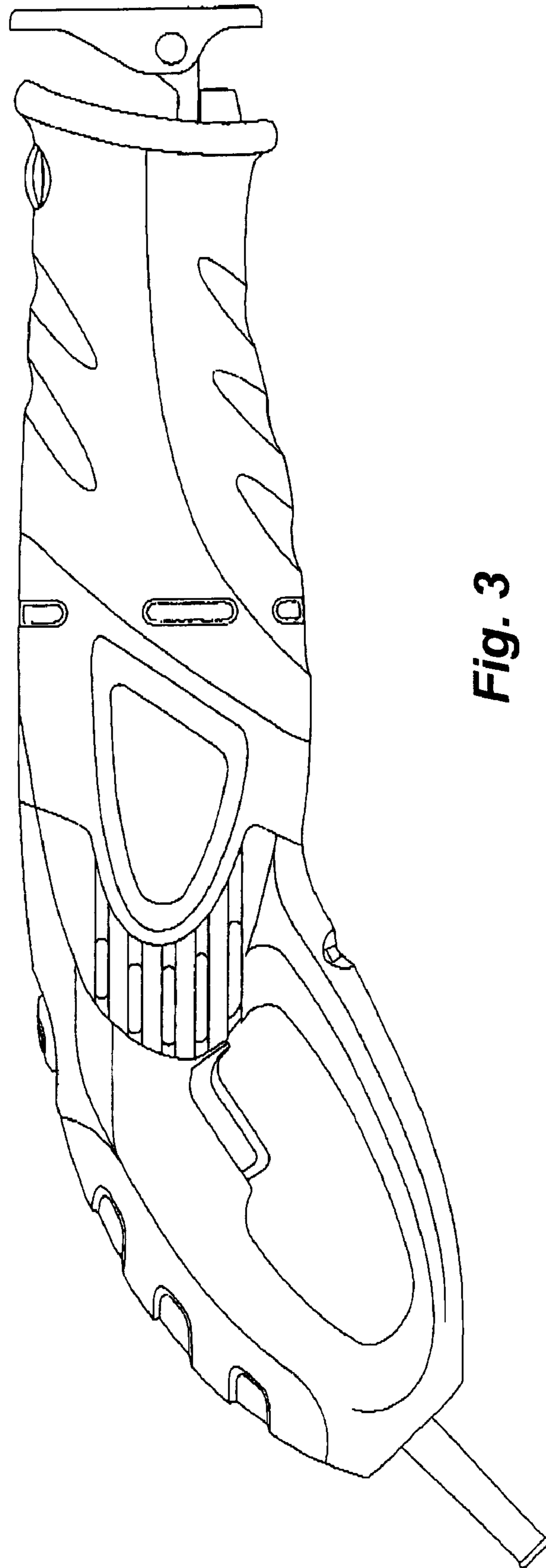


Fig. 3

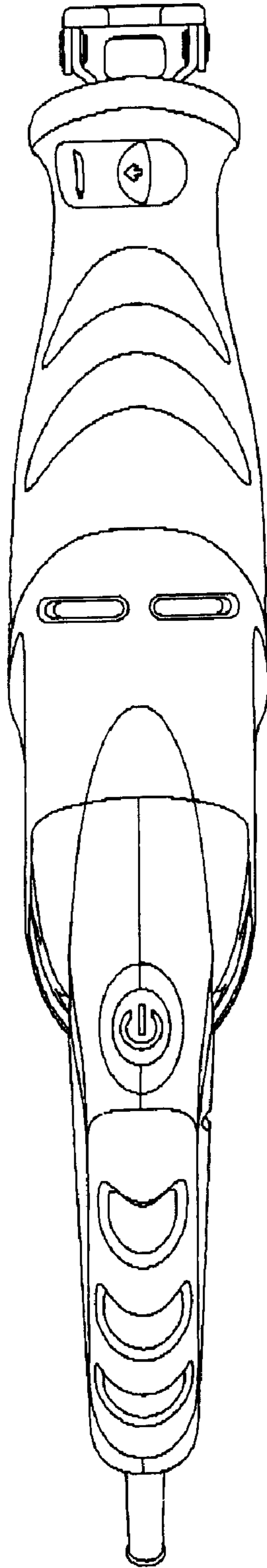


Fig. 4

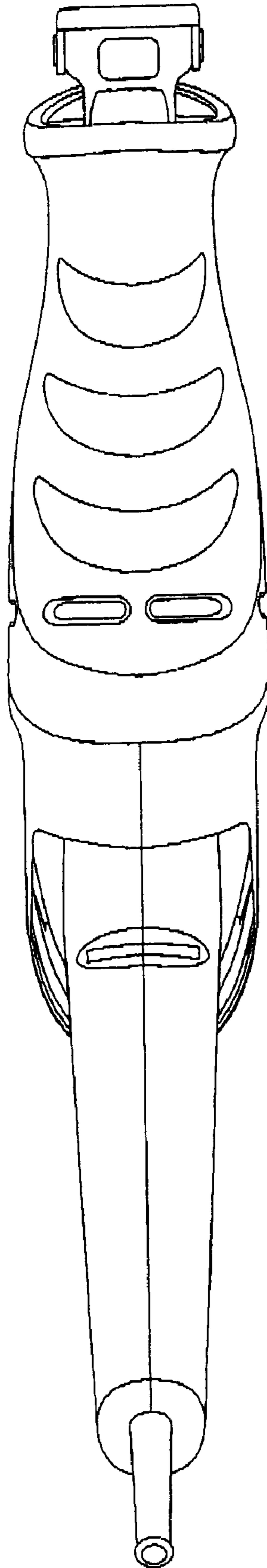


Fig. 5

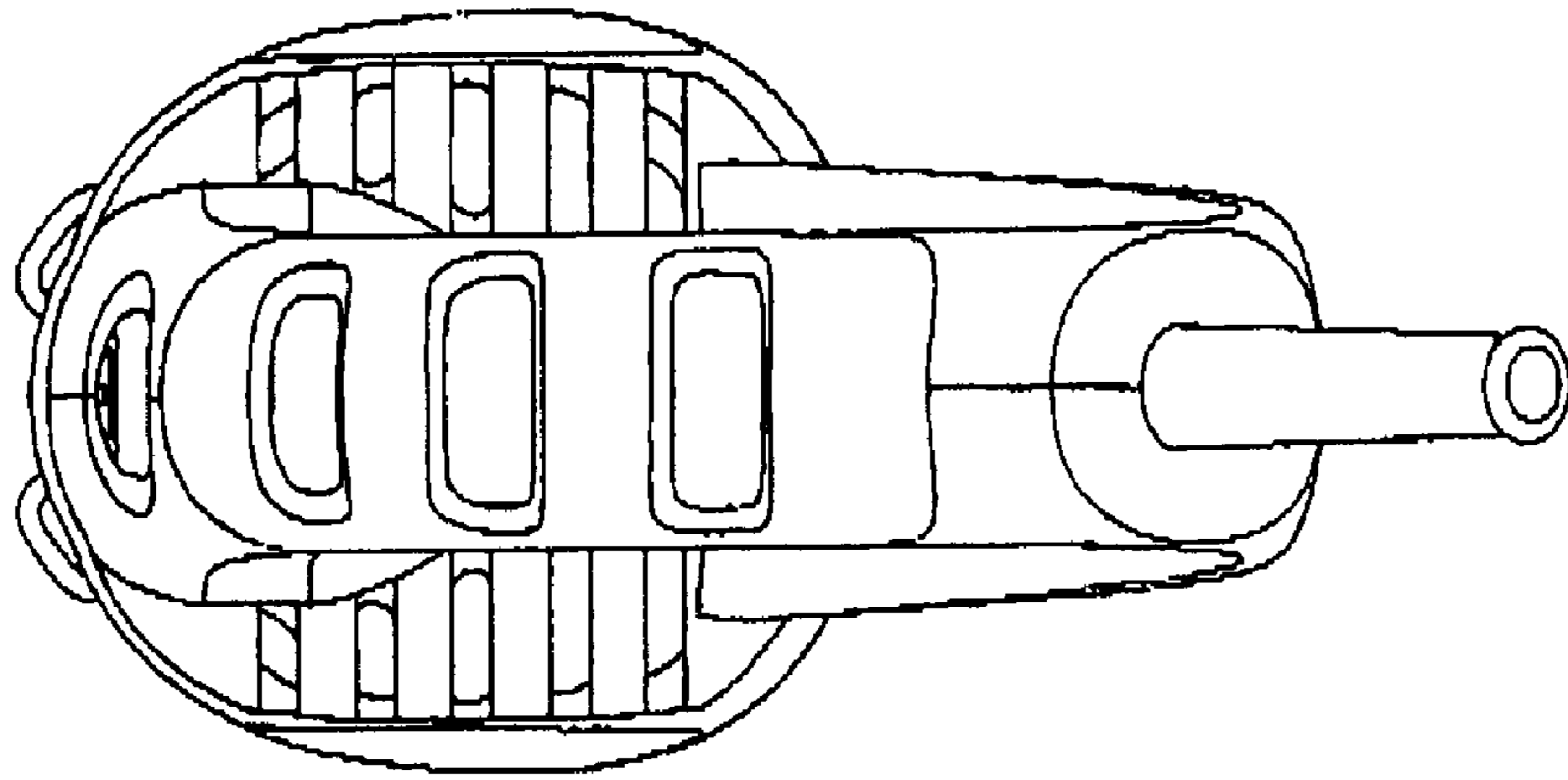


Fig. 7

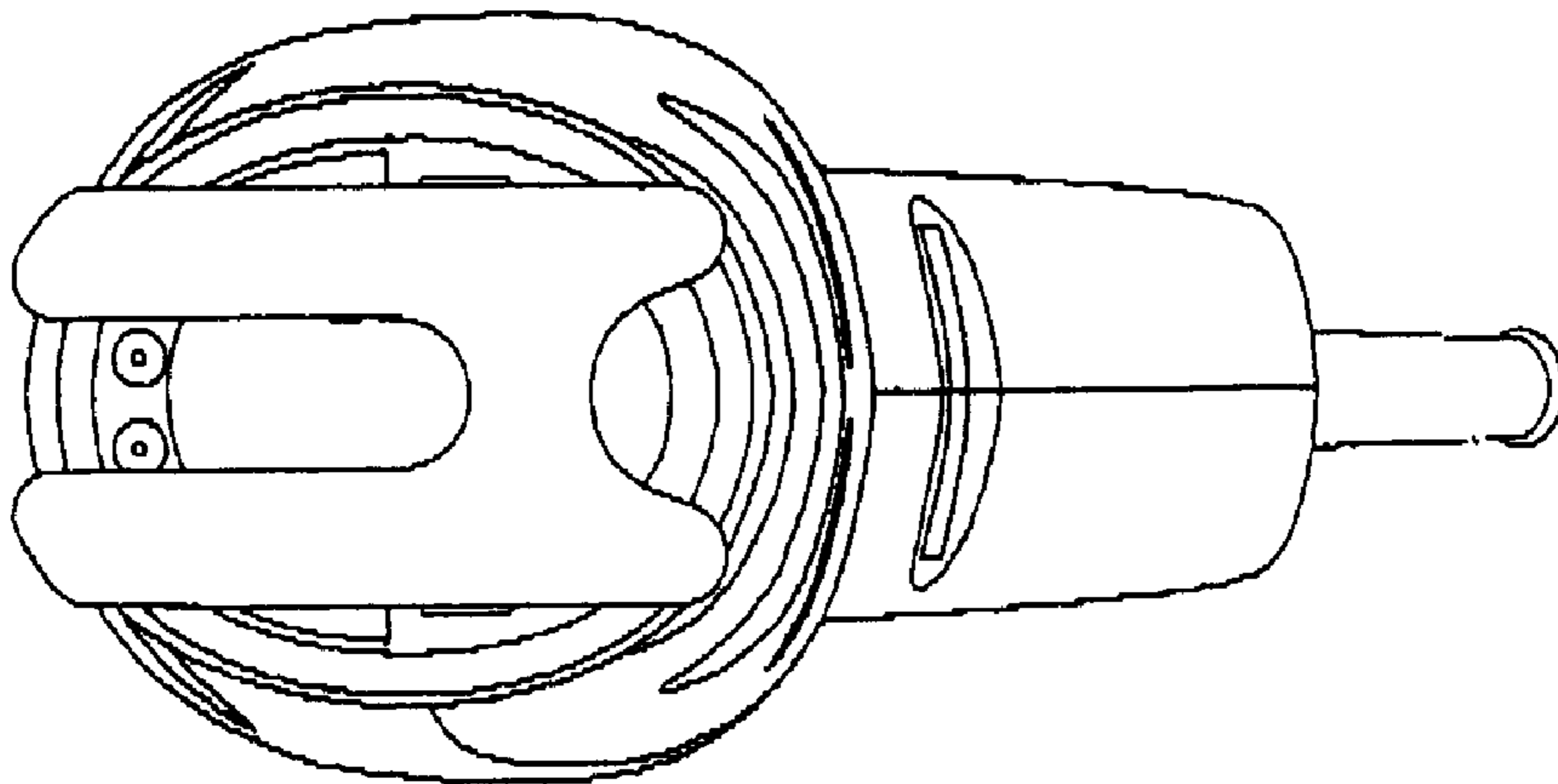


Fig. 6

UNITED STATES PATENT AND TRADEMARK OFFICE
CERTIFICATE OF CORRECTION

PATENT NO. : D523,719 S
APPLICATION NO. : 29/215223
DATED : June 27, 2006
INVENTOR(S) : Paolo Andriolo

Page 1 of 1

It is certified that error appears in the above-identified patent and that said Letters Patent is hereby corrected as shown below:

On the title page:

In item (73), Assignee,
2nd line,

“LTD (CH)” to --LTD (CN)--

Signed and Sealed this
Twenty-second Day of February, 2011

A handwritten signature in black ink that reads "David J. Kappos". The signature is written in a cursive, slightly slanted style.

David J. Kappos
Director of the United States Patent and Trademark Office