



US00D523717S

(12) **United States Design Patent**
Guo et al.

(10) **Patent No.:** **US D523,717 S**
(45) **Date of Patent:** **** Jun. 27, 2006**

(54) **SHARPENER**

(75) Inventors: **Jianjin Guo**, Qingdao (CN); **Daguang Wang**, Qindago (CN)

(73) Assignee: **Qingdao D&D Electro Mechanical Technologies Co., Ltd.**, Shandong (CN)

(**) Term: **14 Years**

(21) Appl. No.: **29/213,343**

(22) Filed: **Sep. 16, 2004**

(30) **Foreign Application Priority Data**

Jul. 9, 2004 (CN) 2004300472940

(51) **LOC (8) Cl.** **08-05**

(52) **U.S. Cl.** **D8/63; D8/62; D8/91**

(58) **Field of Classification Search** D8/62-63,
D8/91-93; D15/124; 76/82, 82.2, 85; 451/224,
451/282, 294, 541

See application file for complete search history.

(56) **References Cited**

U.S. PATENT DOCUMENTS

- 2,006,510 A * 7/1935 Oxenhandler 451/415
- D121,789 S * 8/1940 Hollengreen et al. D15/124
- 2,433,512 A * 12/1947 Gorn 451/282
- D153,168 S * 3/1949 Palma, Jr. D8/63
- 2,471,207 A * 5/1949 Freeman 451/555
- D162,121 S * 2/1951 Branick D8/63
- 2,566,809 A * 9/1951 Riskey et al. 451/311
- D170,935 S * 11/1953 Palma, Jr. et al. D8/63
- D175,067 S * 7/1955 Ernest D8/63

- D179,610 S * 1/1957 Palma, Jr. D8/63
- D185,556 S * 6/1959 Madl D8/63
- 3,017,727 A * 1/1962 Georg et al. 451/226
- 3,075,322 A * 1/1963 Uthoff 451/282
- D202,799 S * 11/1965 DeFano et al. D8/63
- 4,528,778 A * 7/1985 Wolff 451/224
- D322,923 S * 1/1992 Farmer, Sr. D8/93
- D328,604 S * 8/1992 Chien D15/124
- D340,729 S * 10/1993 Baughman D15/124
- D447,155 S * 8/2001 Lin Ku D15/124
- D458,617 S * 6/2002 Wang D15/124

* cited by examiner

Primary Examiner—Raphael Barkai

Assistant Examiner—RoseLynne Ulm

(74) *Attorney, Agent, or Firm*—Milde & Hoffberg, LLP

(57) **CLAIM**

The ornamental design for a sharpener, as shown and described.

DESCRIPTION

FIG. 1 is a perspective view showing the sharpener according to our design.

FIG. 2 is a side view showing one side of the sharpener of FIG. 1.

FIG. 3 is another side view showing an opposite side of the sharpener of FIG. 1.

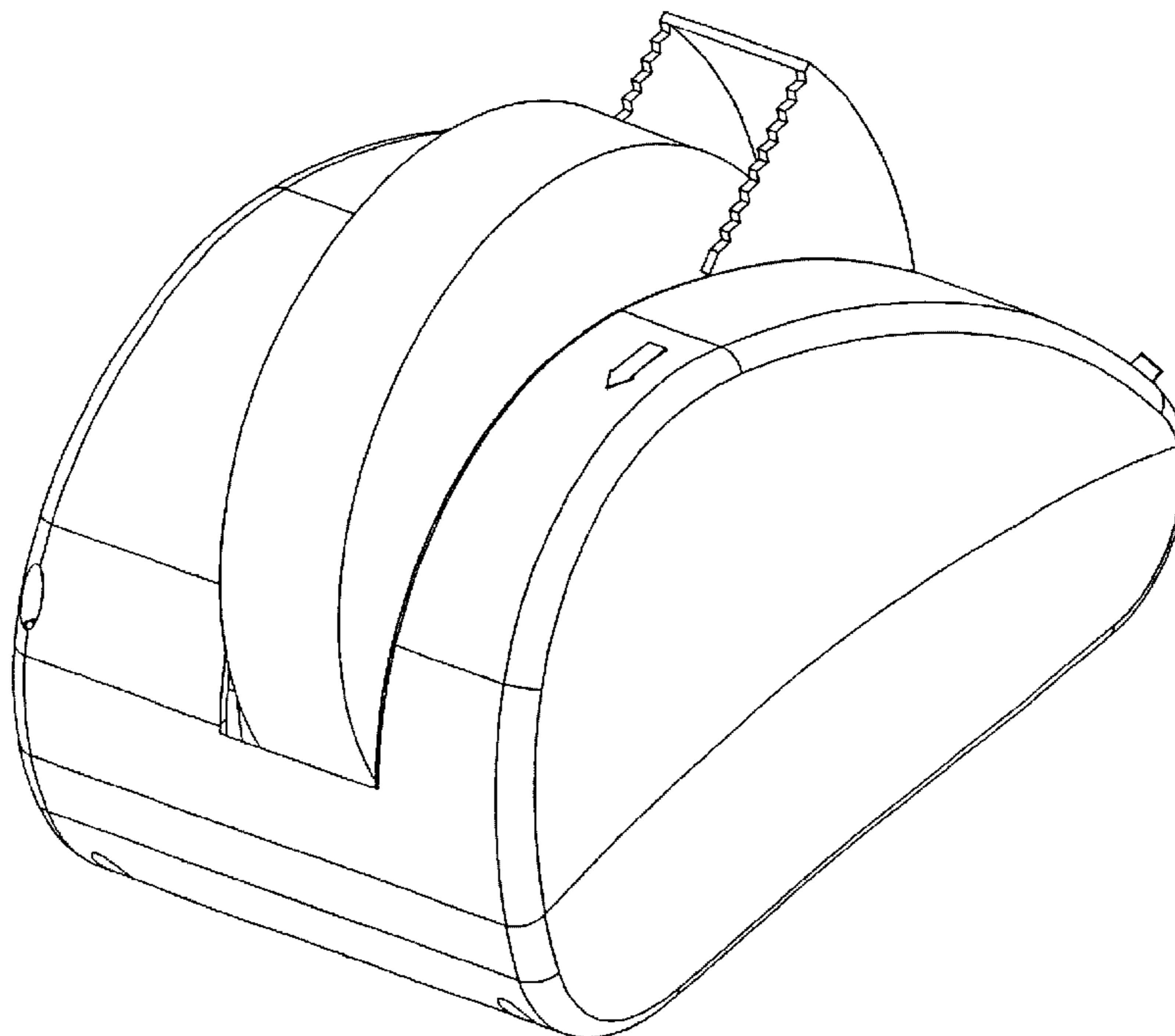
FIG. 4 is a front view of the sharpener of FIG. 1.

FIG. 5 is a rear view of the sharpener of FIG. 1.

FIG. 6 is a top view of the sharpener of FIG. 1; and,

FIG. 7 is a bottom view of the sharpener of FIG. 1.

1 Claim, 4 Drawing Sheets



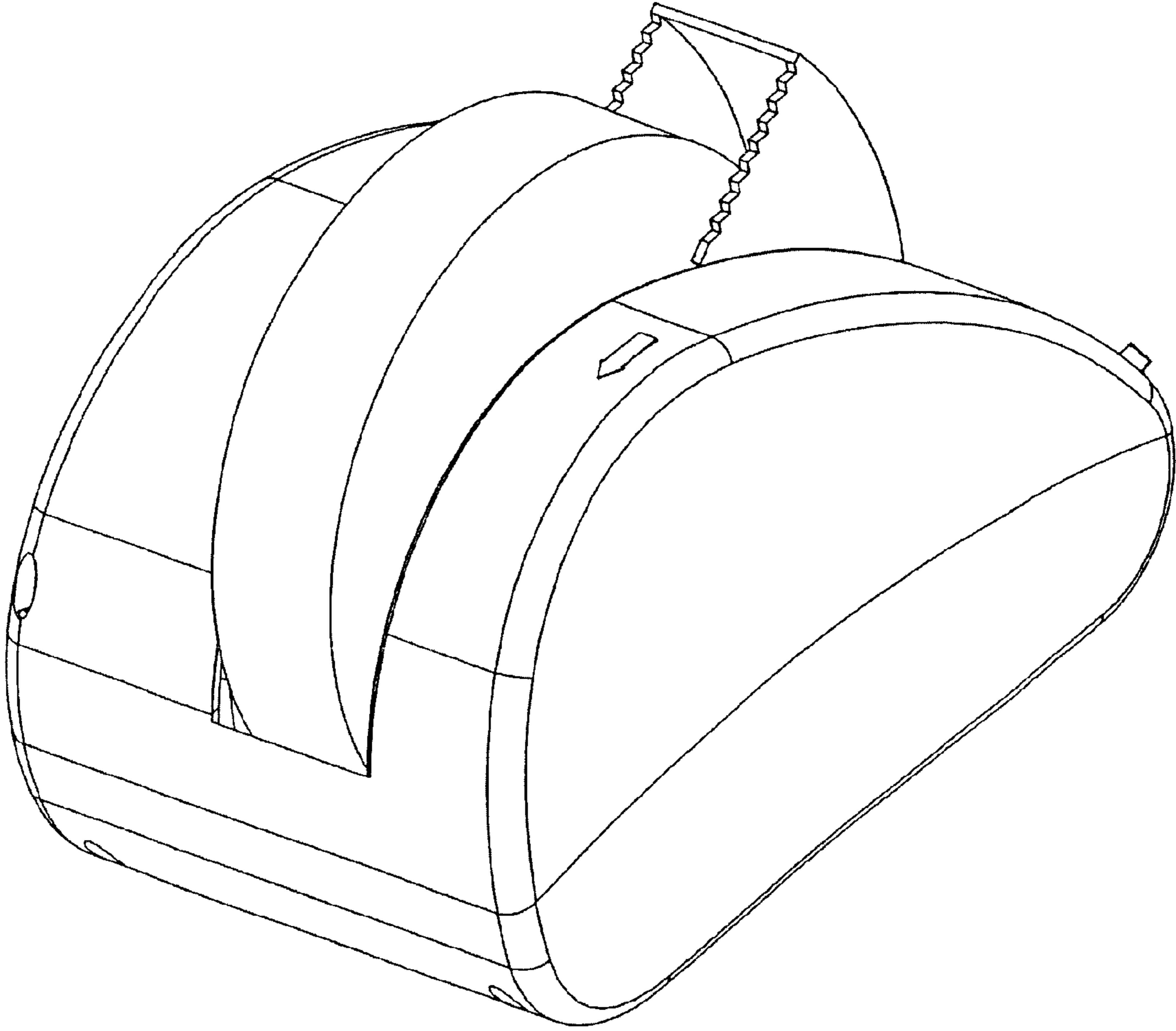


FIG. 1

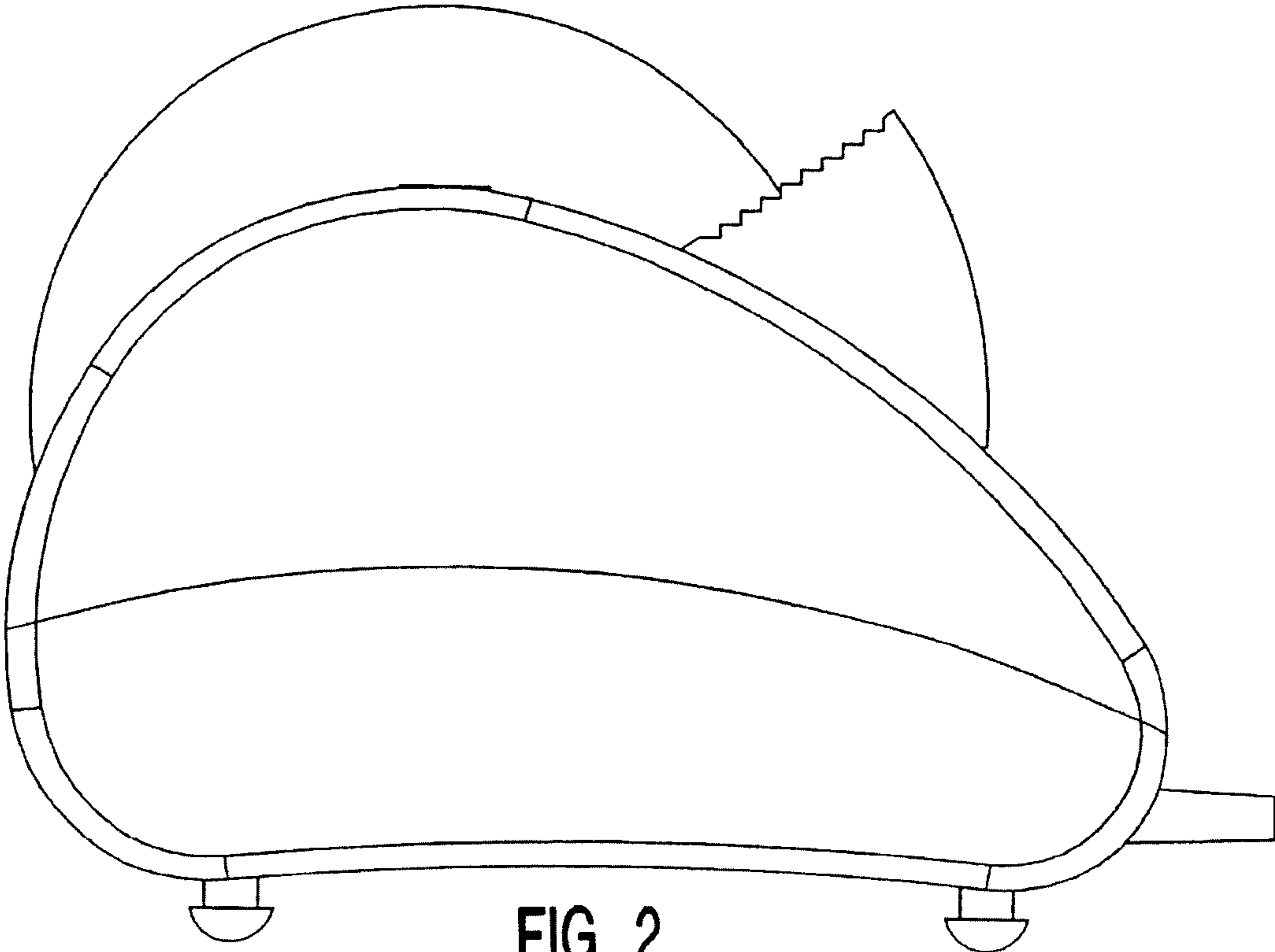


FIG. 2

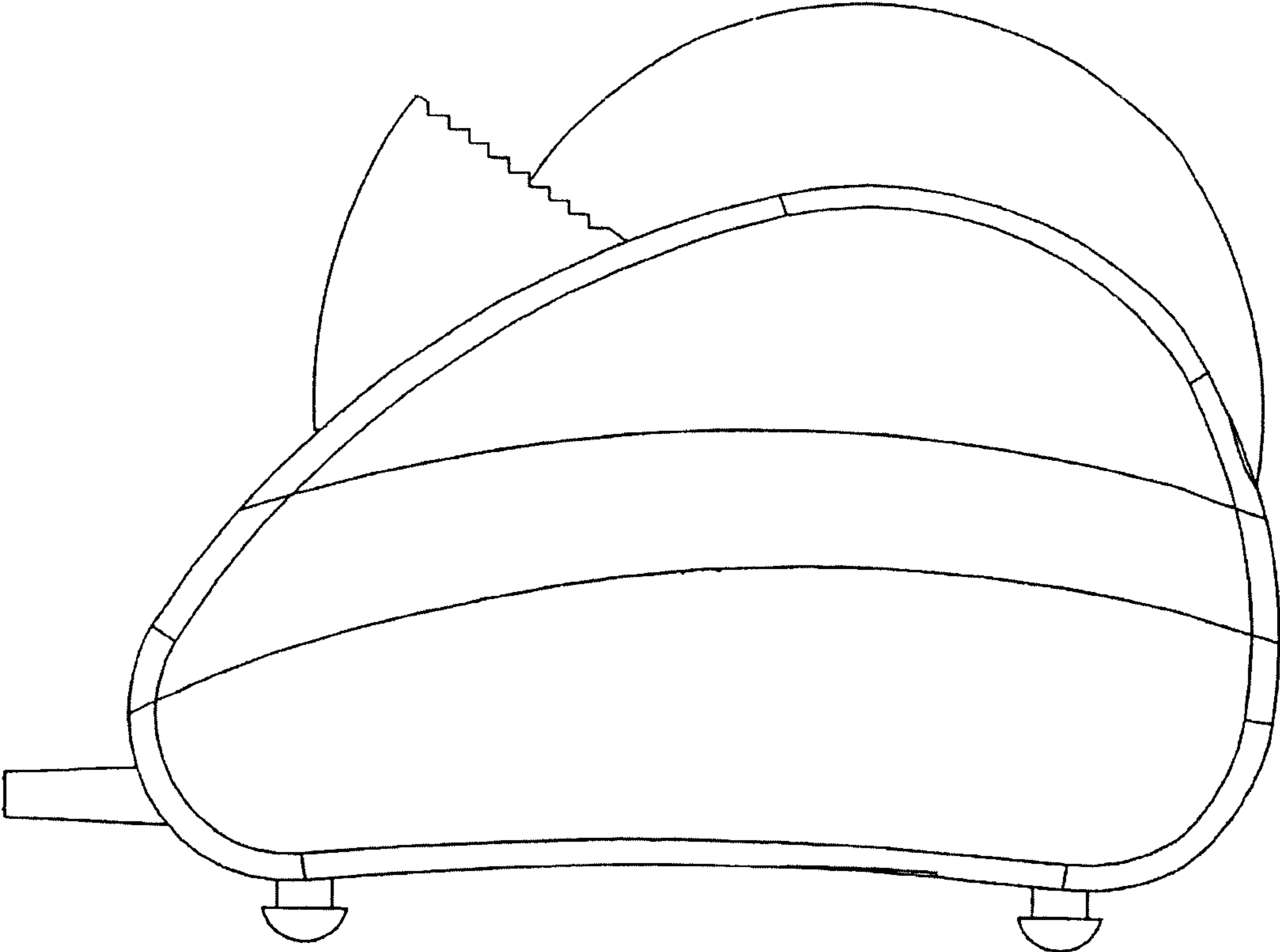


FIG. 3

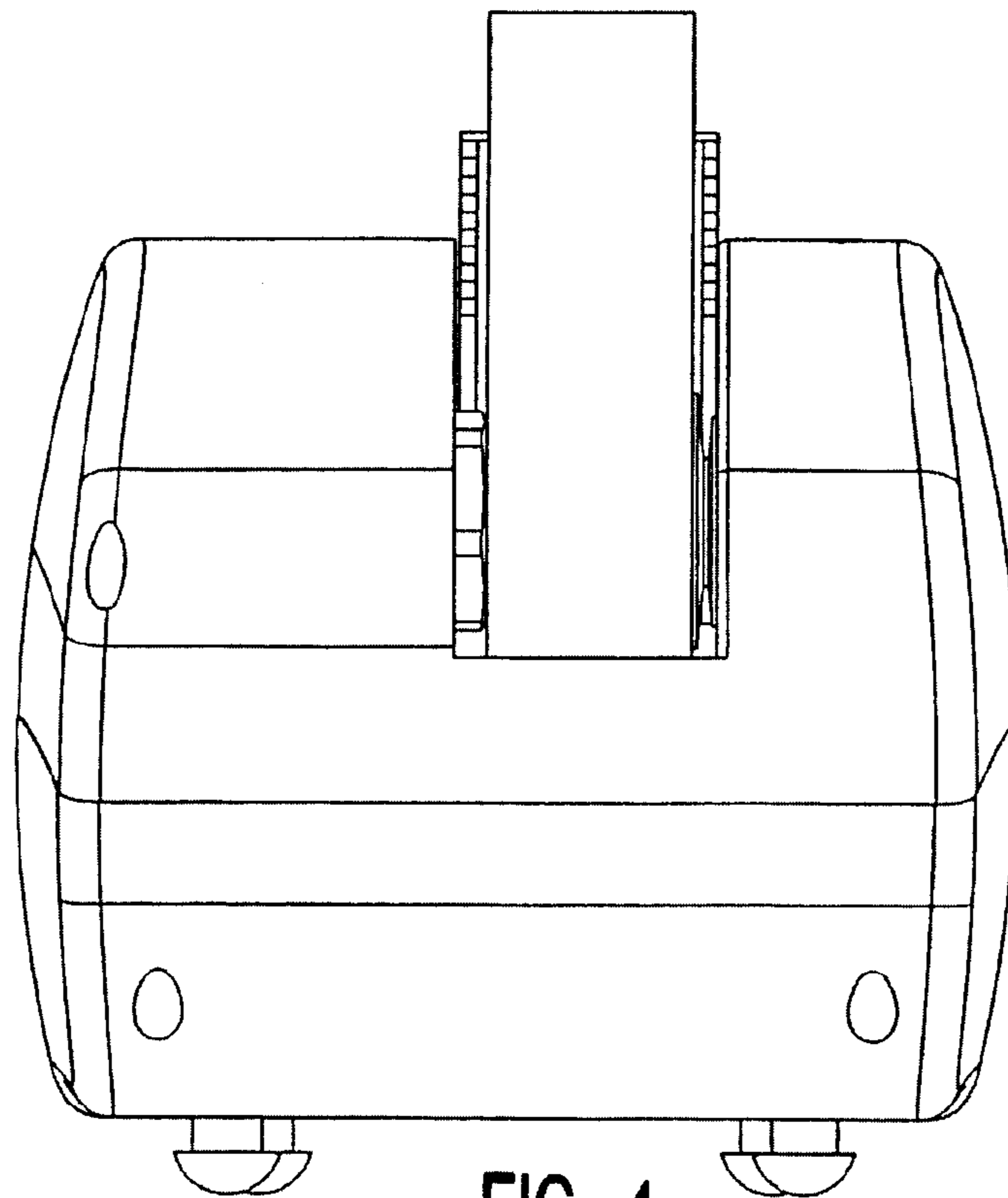


FIG. 4

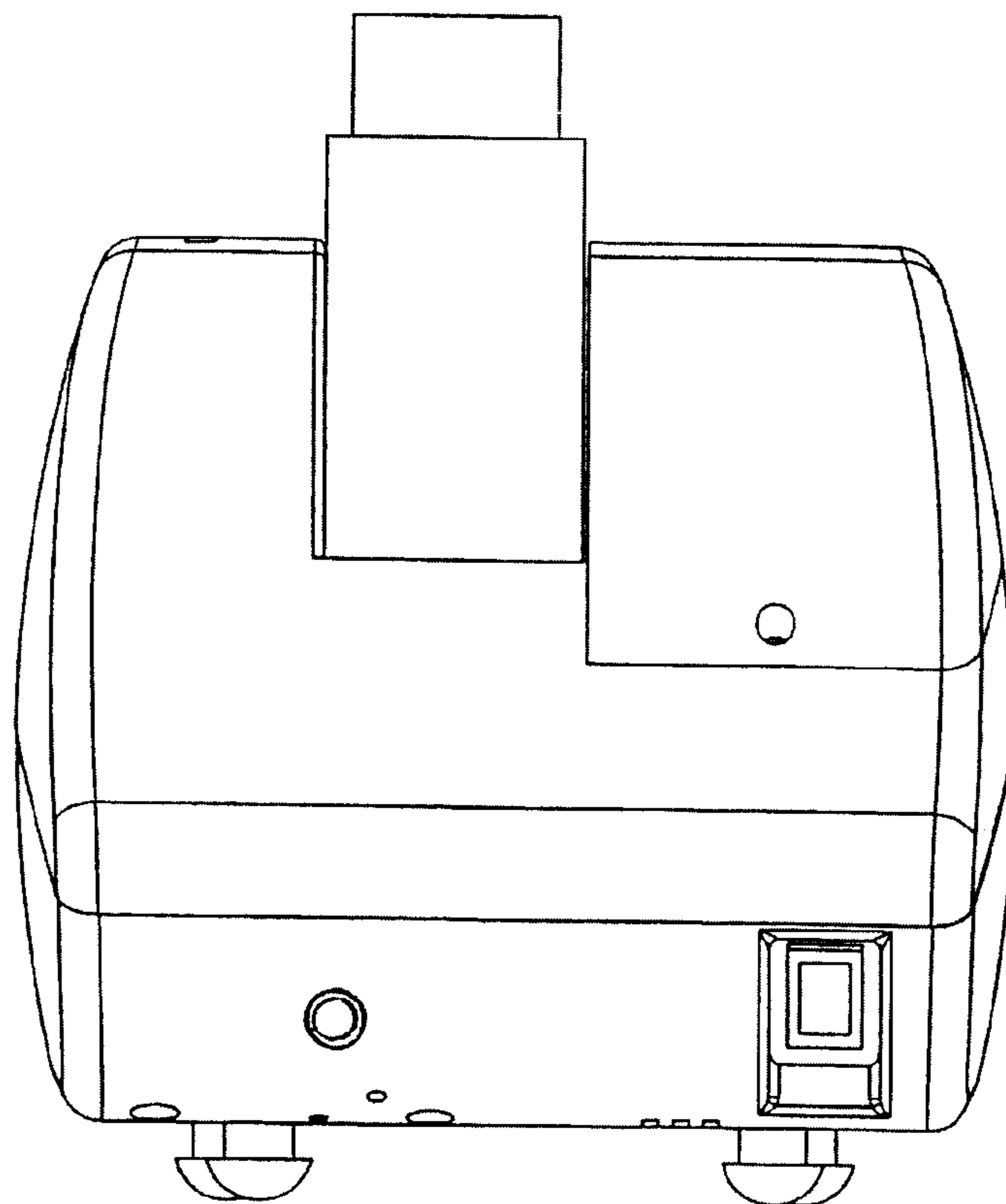


FIG. 5

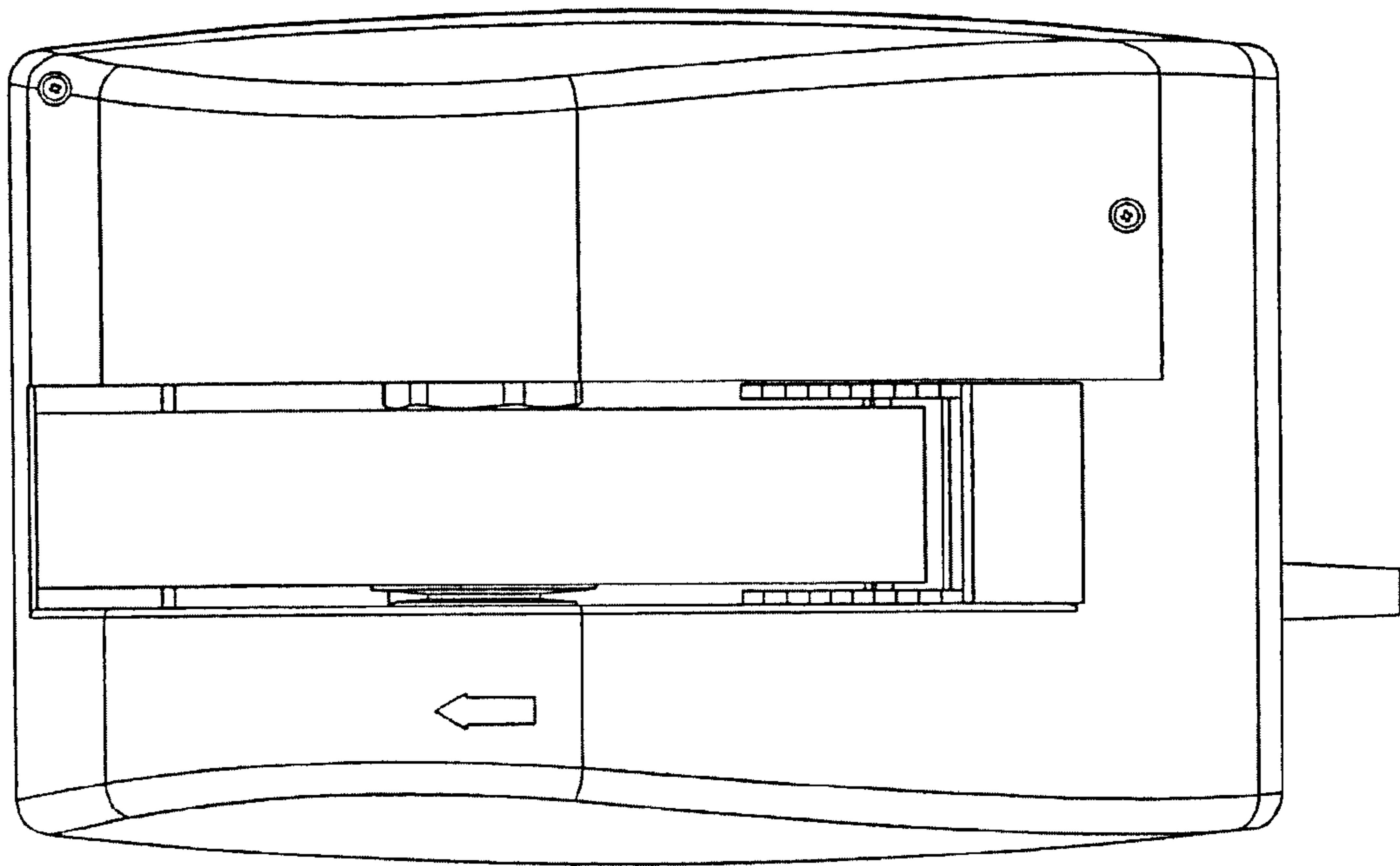


FIG. 6

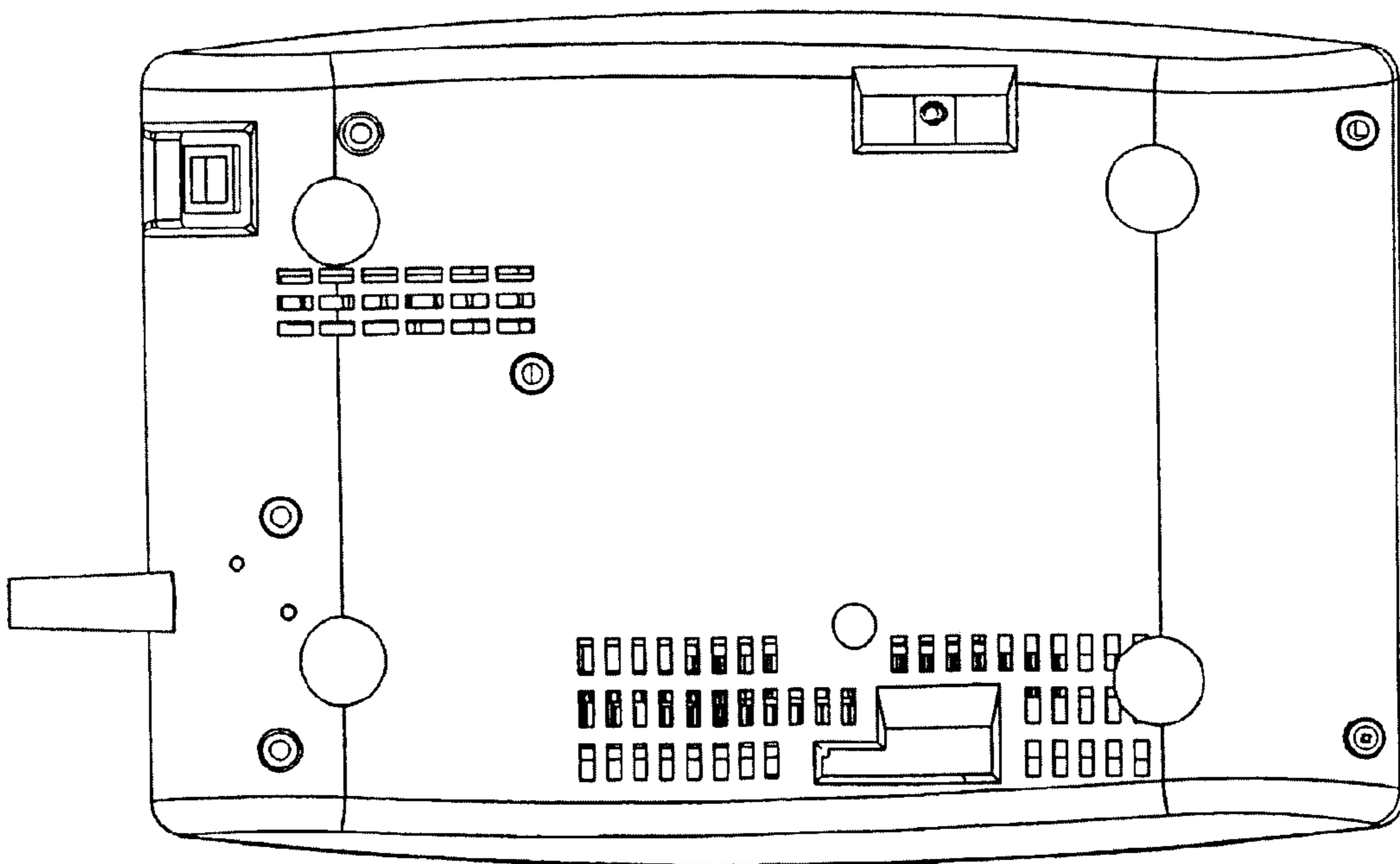


FIG. 7