

US00D523716S

(12) **United States Design Patent**
Chen

(10) **Patent No.:** **US D523,716 S**

(45) **Date of Patent:** **** Jun. 27, 2006**

(54) **PNEUMATIC TOOL**

(75) Inventor: **Lung-Pao Chen**, Zhubei (TW)

(73) Assignee: **Sunmatch Industrial Co., Ltd.**, Zhubei (TW)

(**) Term: **14 Years**

(21) Appl. No.: **29/220,615**

(22) Filed: **Jan. 5, 2005**

(51) **LOC (8) Cl.** **08-01**

(52) **U.S. Cl.** **D8/62**

(58) **Field of Classification Search** D8/69,
D8/67, 62, 61; 451/359, 358, 357, 356, 354,
451/353, 351, 344, 294; 173/168
See application file for complete search history.

(56) **References Cited**

U.S. PATENT DOCUMENTS

D332,560 S	*	1/1993	Mikiya	D8/62
D351,772 S	*	10/1994	Price	D8/62
D378,183 S	*	2/1997	Dognini	D8/62
D411,424 S	*	6/1999	Saito	D8/62

D437,199 S	*	2/2001	Robson	D8/62
D447,029 S	*	8/2001	Sun et al.	D8/61
D479,969 S	*	9/2003	Robson et al.	D8/62
D511,285 S	*	11/2005	Henssler et al.	D8/62

* cited by examiner

Primary Examiner—Cathron C. Brooks

Assistant Examiner—Austin Murphy

(74) *Attorney, Agent, or Firm*—Birch, Stewart, Kolasch & Birch, LLP

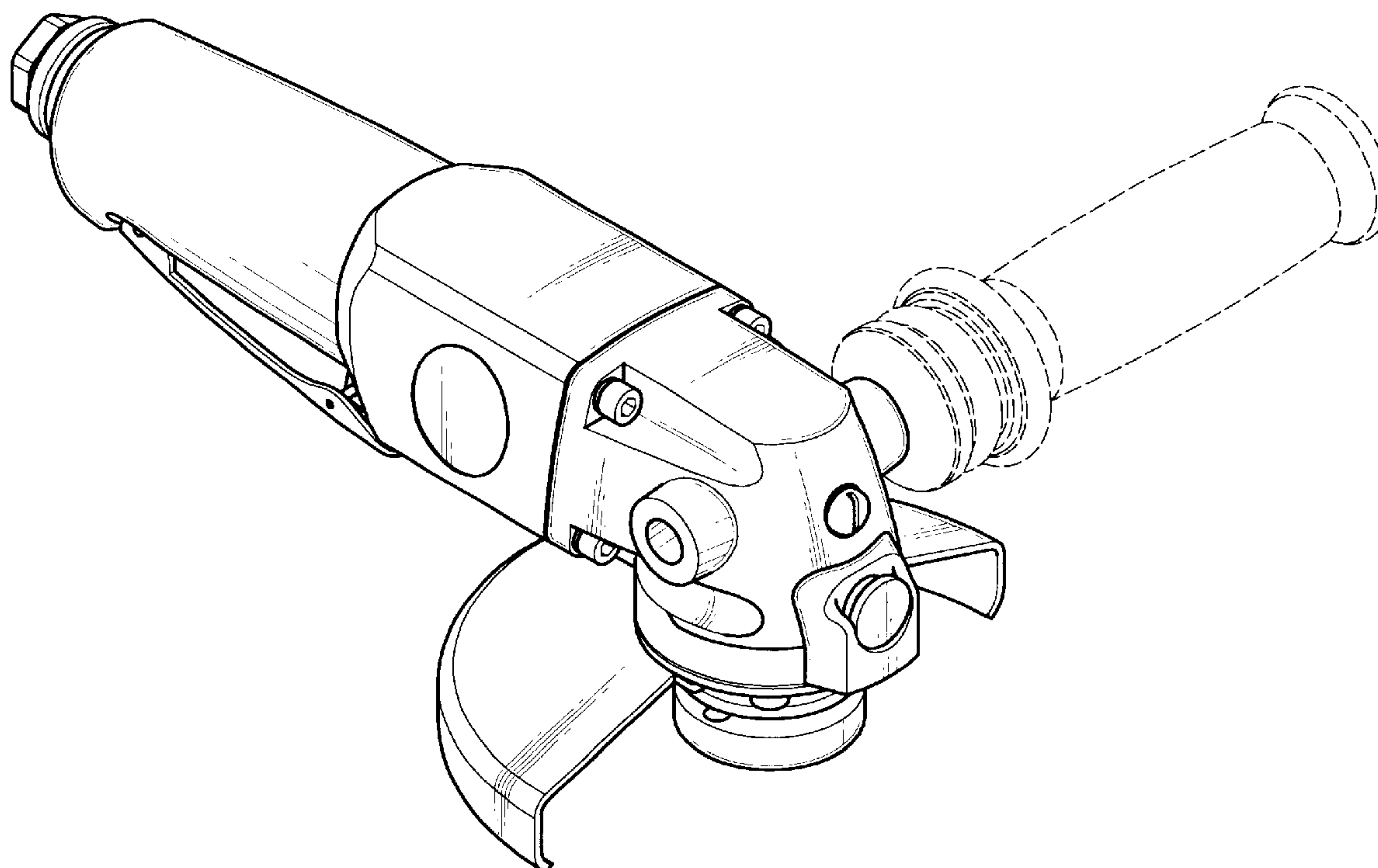
(57) **CLAIM**

The ornamental design for “pneumatic tool,” as shown and described.

DESCRIPTION

FIG. 1 is a perspective view of “pneumatic tool” showing my new design thereof;
FIG. 2 is a right side elevational view thereof;
FIG. 3 is a top plan view thereof;
FIG. 4 is a front side elevational view thereof;
FIG. 5 is a bottom plan view thereof;
FIG. 6 is a left side elevational view thereof; and,
FIG. 7 is a rear side elevational view thereof.

1 Claim, 6 Drawing Sheets



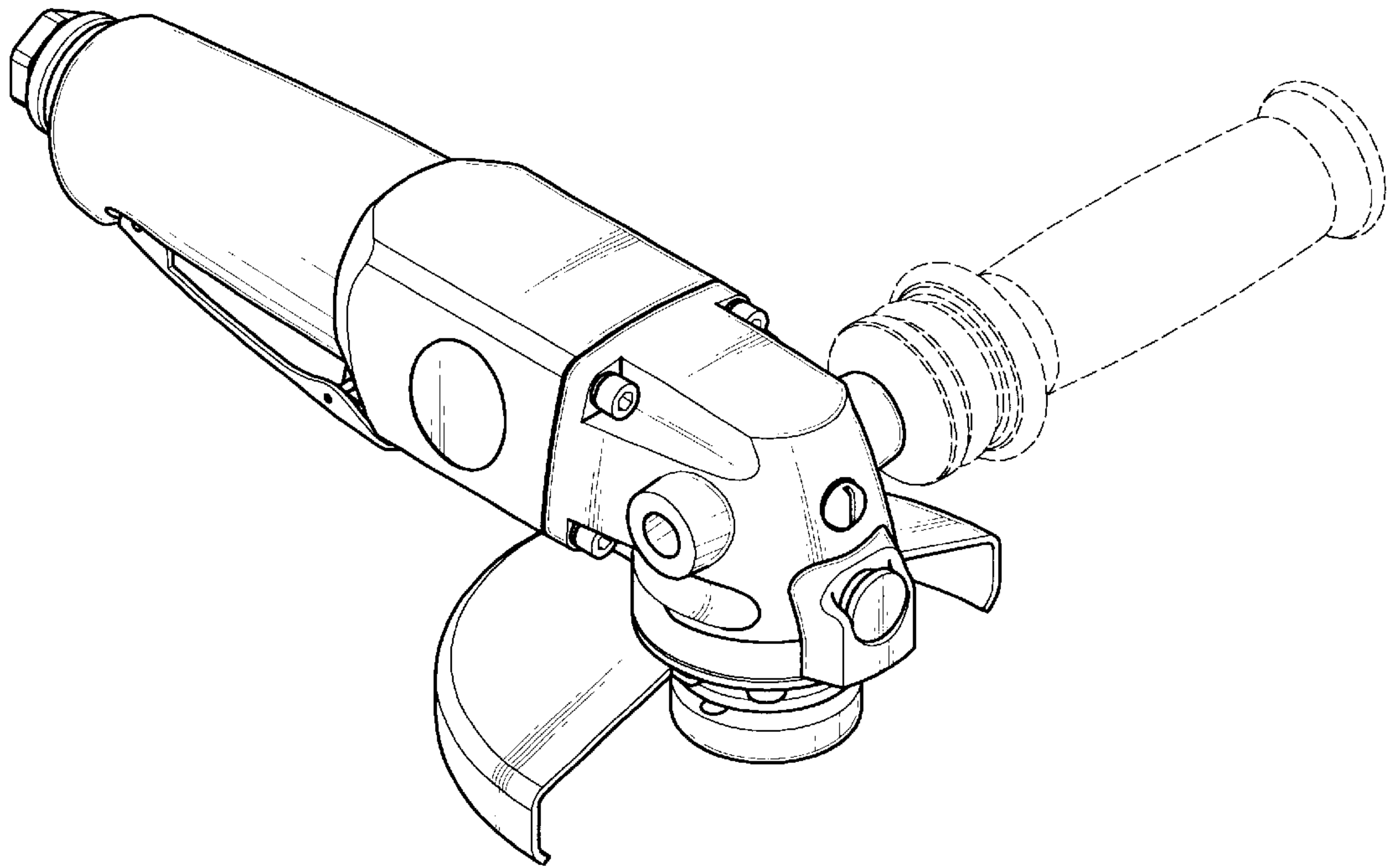


Fig. 1

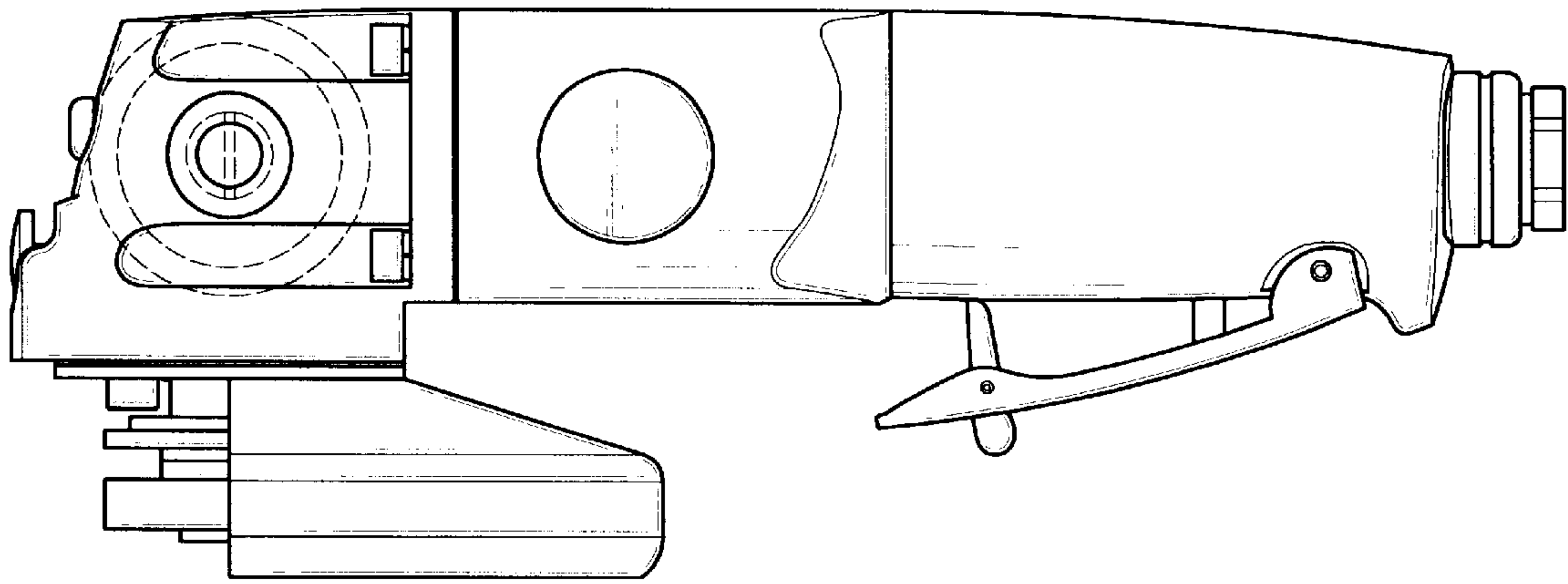


Fig.2

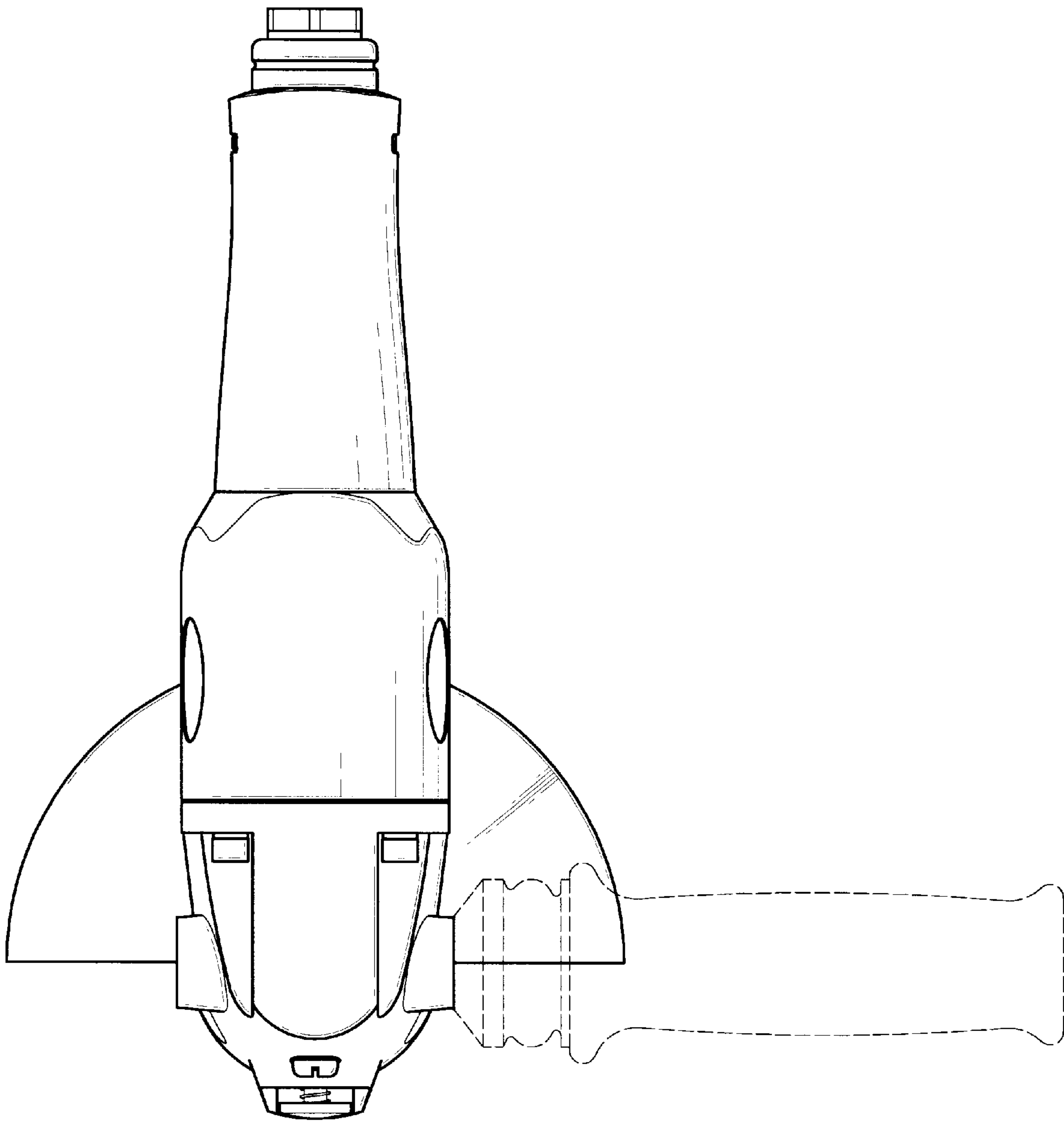


Fig.3

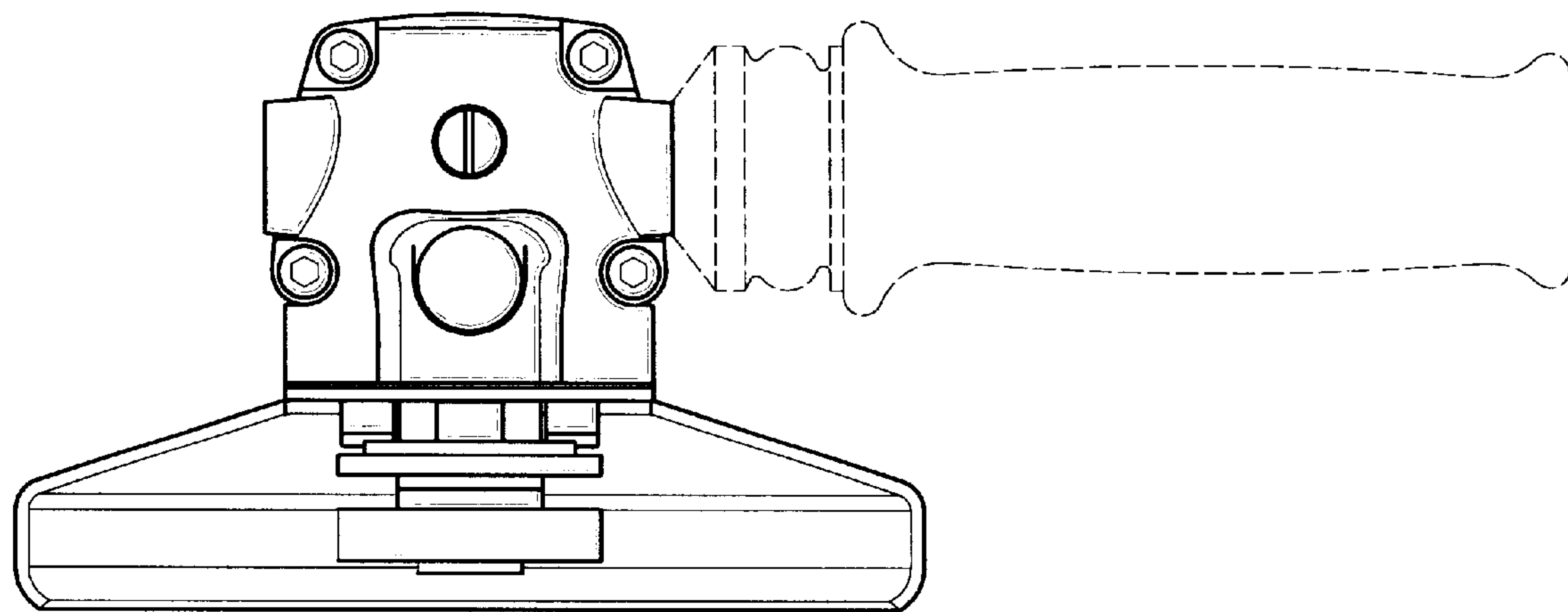


Fig.4

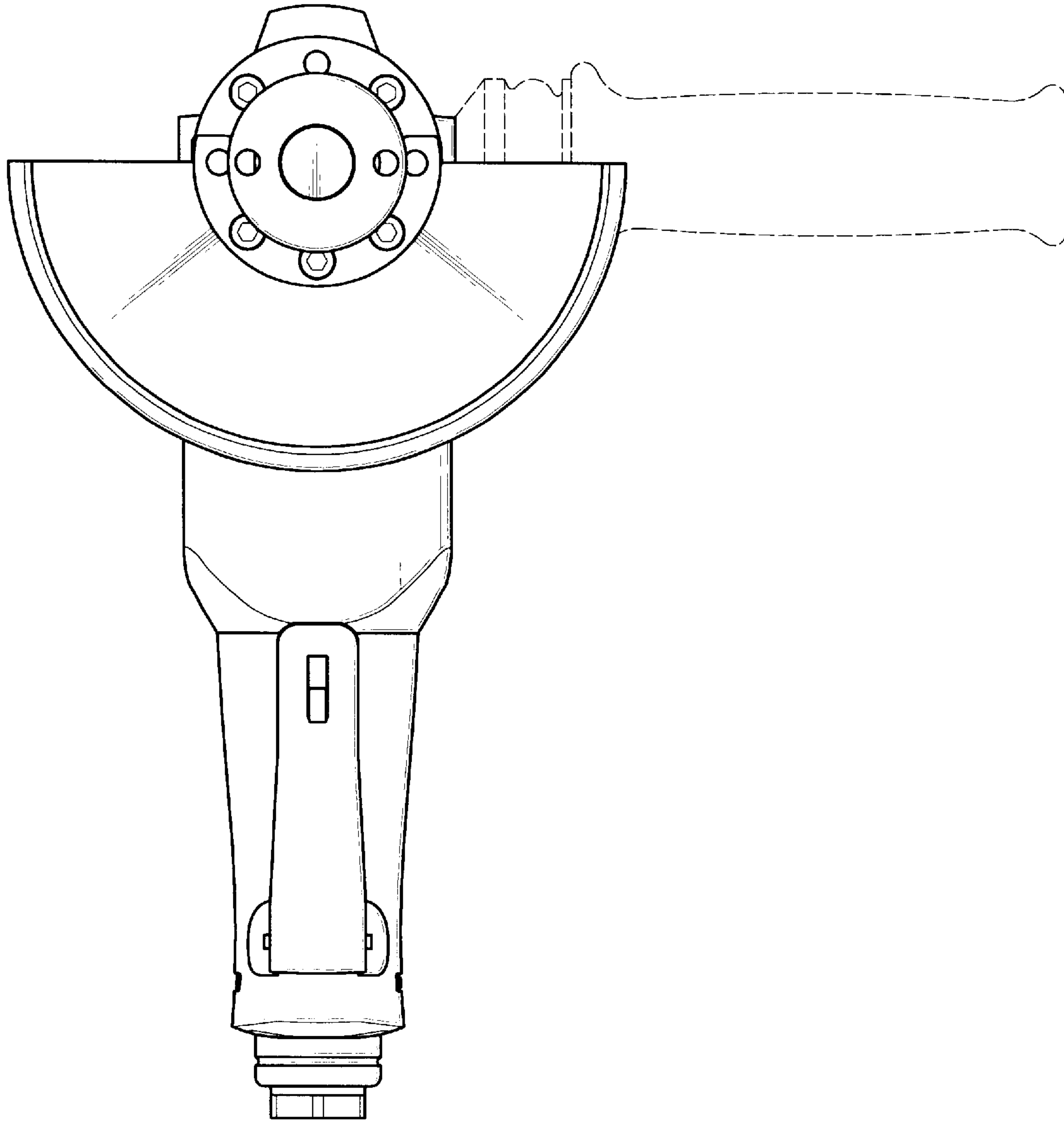


Fig.5

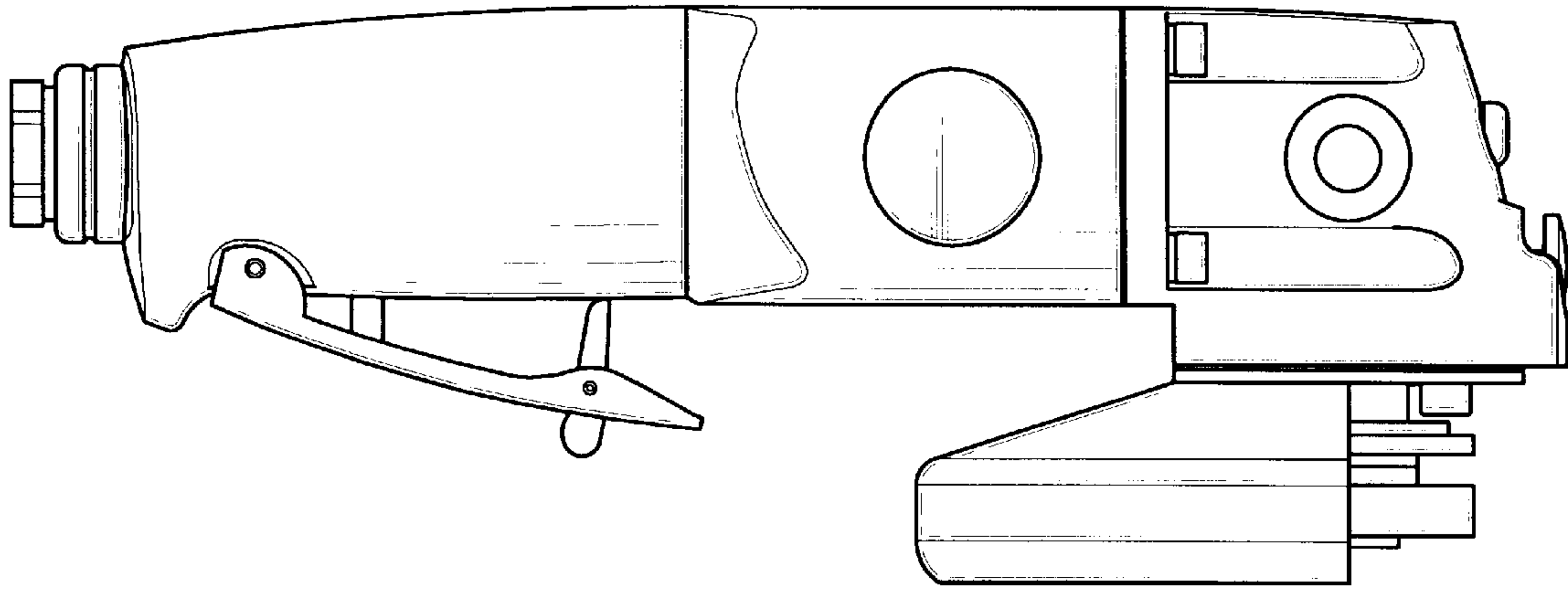


Fig.6

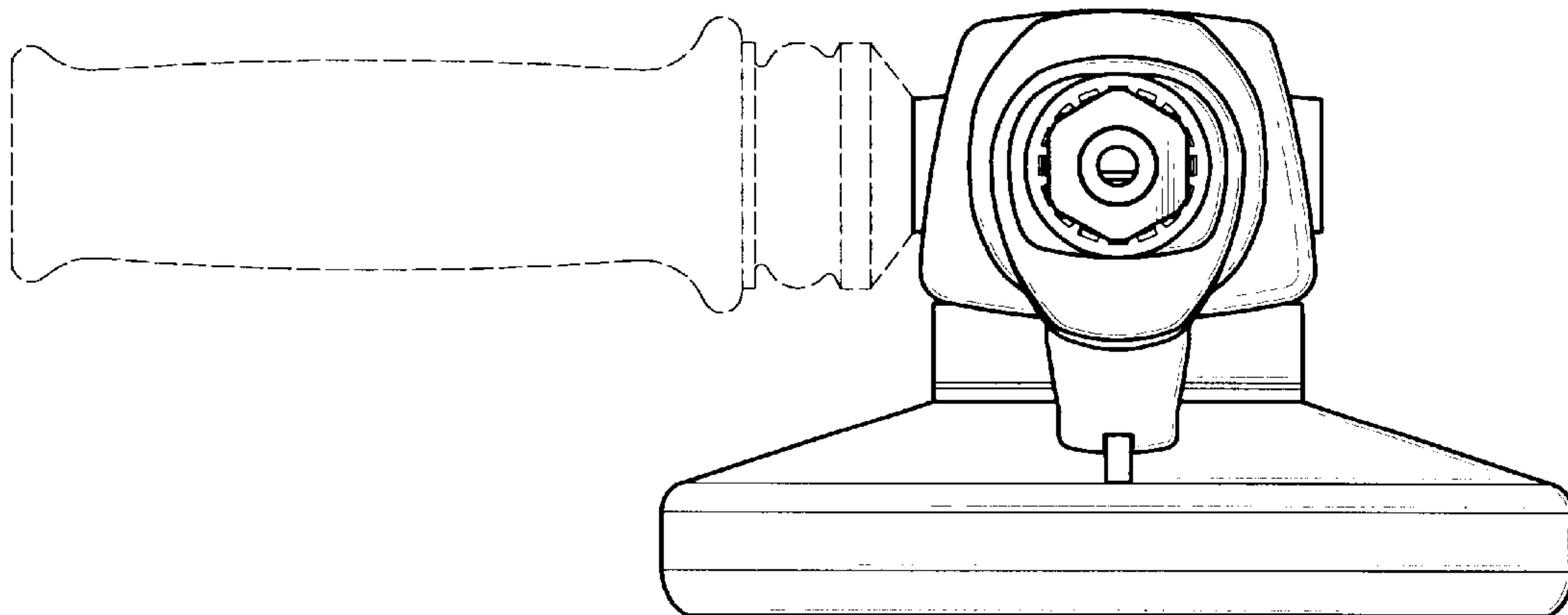


Fig.7