

US00D523713S

(12) **United States Design Patent**
Applegate

(10) **Patent No.:** **US D523,713 S**

(45) **Date of Patent:** **** Jun. 27, 2006**

(54) **UPHOLSTERY STRIPPING PLIERS**

(76) **Inventor:** **Merle Gene Applegate**, 1816
Ridgewood Dr., Joshua, TX (US) 76058

(**) **Term:** **14 Years**

(21) **Appl. No.:** **29/200,987**

(22) **Filed:** **Mar. 9, 2004**

(51) **LOC (8) Cl.** **08-02**

(52) **U.S. Cl.** **D8/52; D8/81; 7/103**

(58) **Field of Classification Search** D8/81,
D8/107, 52-57, 98-99, 105; 7/144, 147-148,
7/156, 167-168, 118, 135; 81/415-419, 489,
81/411, 424.5, 426.5, 426, 300, 3.6, 3.8;
16/110.1, 430-431; 140/93.2; 30/363
See application file for complete search history.

(56) **References Cited**

U.S. PATENT DOCUMENTS

541,076	A	*	6/1895	Davis	7/117
570,218	A	*	10/1896	Blumer	7/135
939,207	A	*	11/1909	Boles	7/103
2,249,378	A	*	7/1941	Di Leo	7/135
3,790,976	A	*	2/1974	Stencil	7/103

4,425,826	A	*	1/1984	Morris	81/3.36
5,894,617	A	*	4/1999	Liou	7/107
6,216,568	B1	*	4/2001	Breiling	81/426
D453,287	S	*	2/2002	Picaza	D8/60
D455,329	S	*	4/2002	Renner	D8/98
D470,384	S	*	2/2003	Makedonski	D8/105

* cited by examiner

Primary Examiner—Pamela Burgess

(57) **CLAIM**

The ornamental design for upholstery stripping pliers, as shown and described.

DESCRIPTION

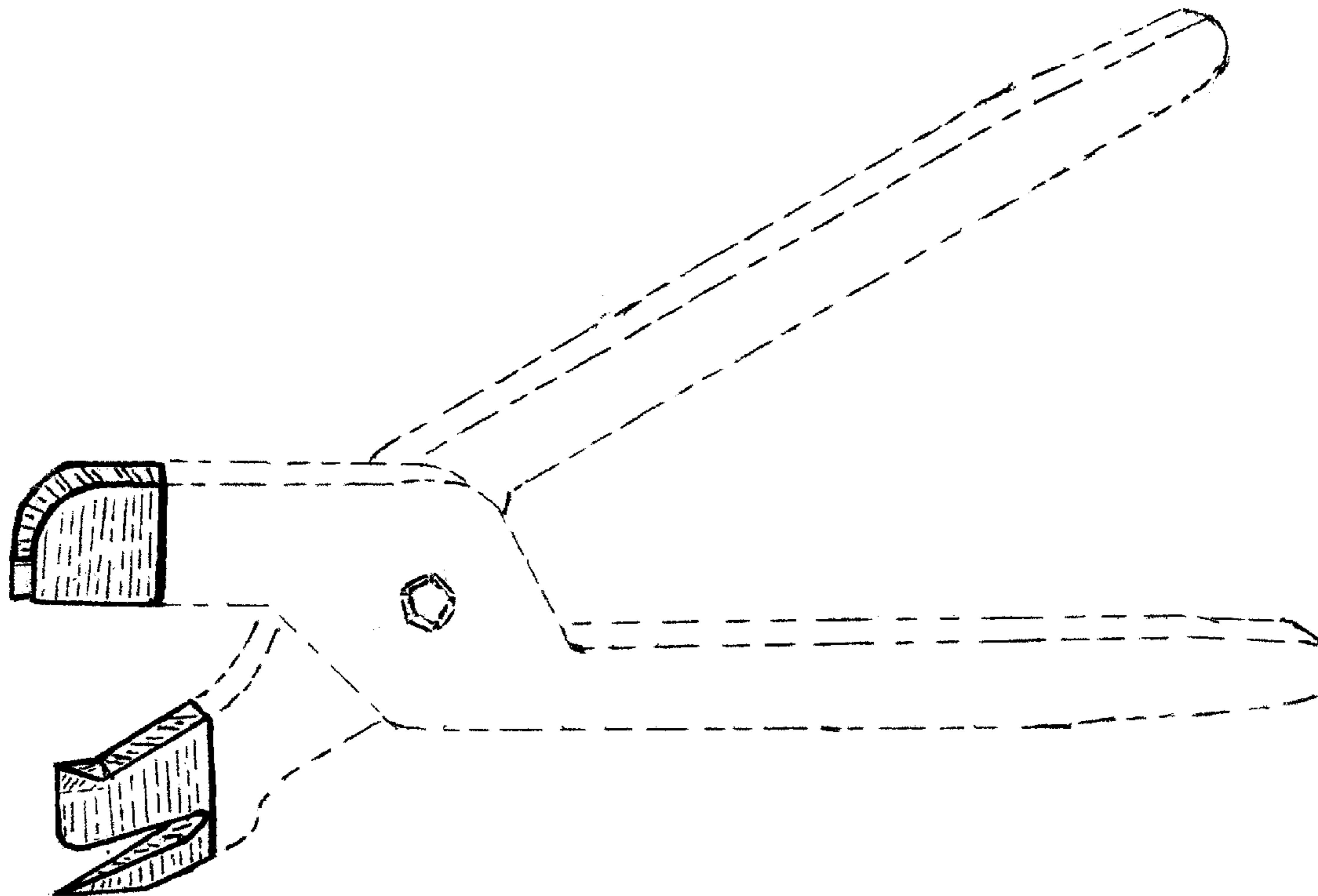
FIG. 1 is a perspective view of upholstery stripping pliers showing my new design; and,

FIG. 2 is an enlarged perspective view thereof, shown disassembled for clarity of disclosure.

The upholstery stripping pliers is shown in broken lines for illustrative purposes only and claim no part of claimed design.

The broken lines shown in FIGS. 1 and 2 are for illustrative purposes only and form no part of the claimed design.

1 Claim, 2 Drawing Sheets



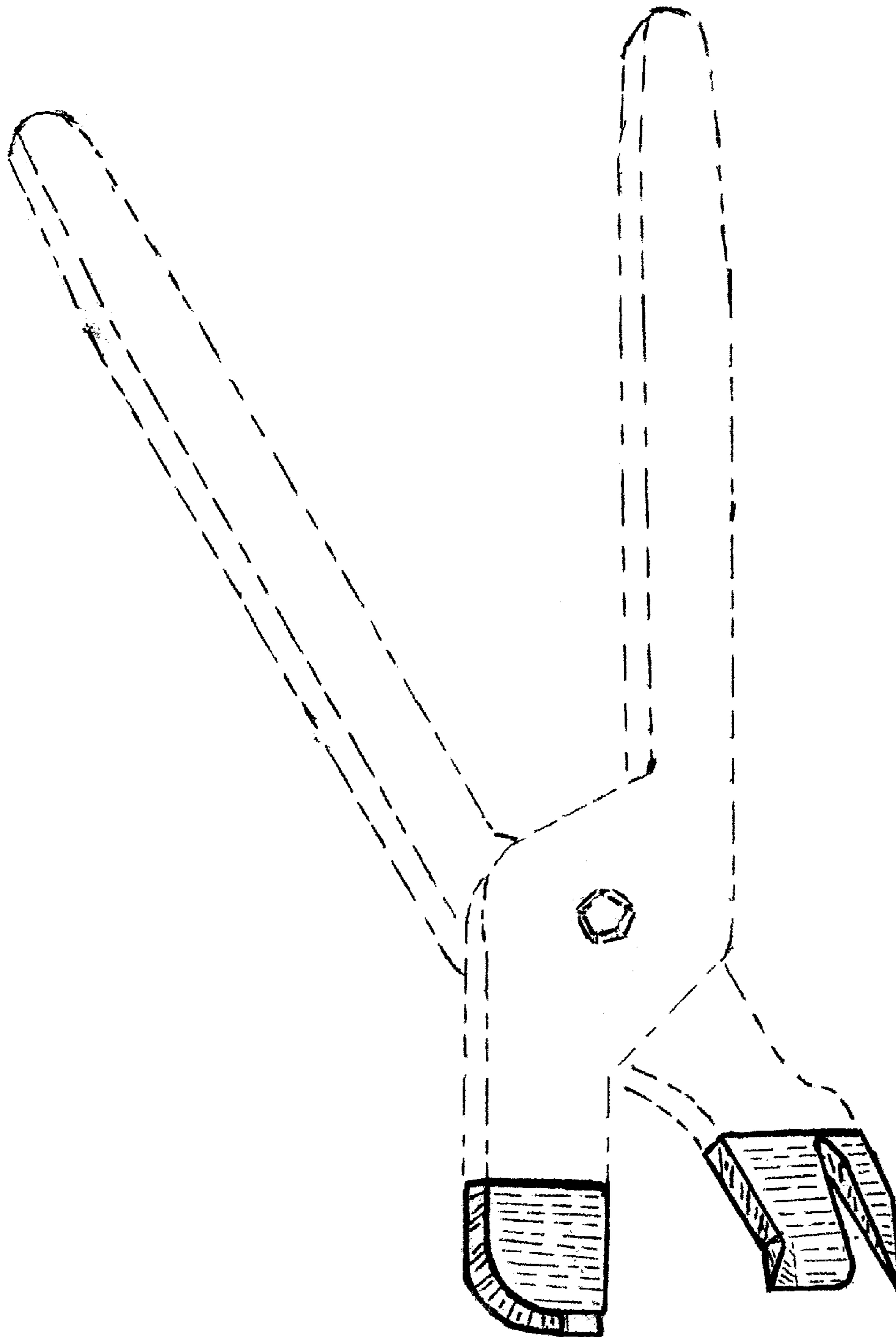


Fig 1

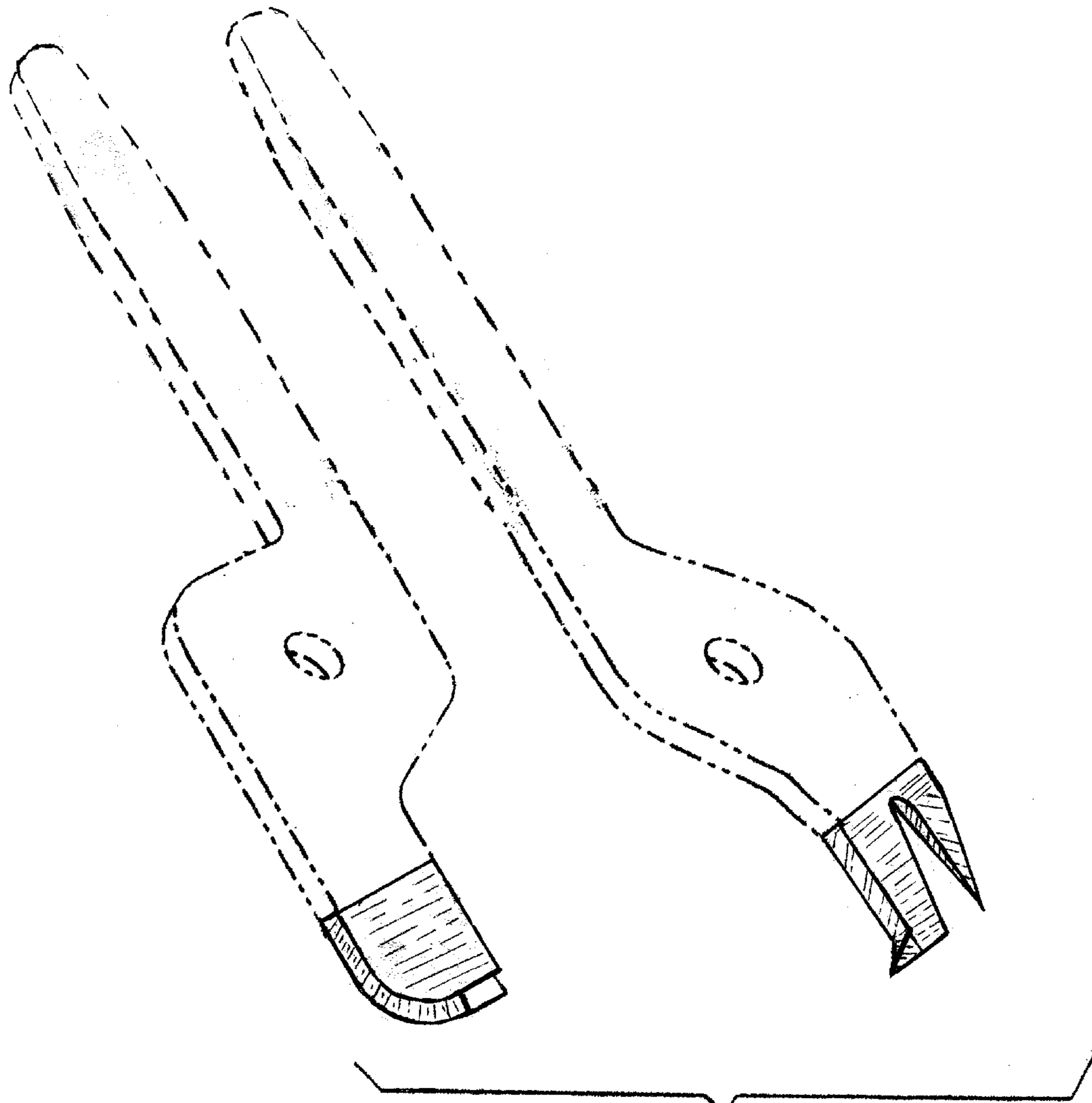


Fig. 2