



US00D523712S

(12) **United States Design Patent**
Yeung

(10) **Patent No.:** **US D523,712 S**
(45) **Date of Patent:** **** Jun. 27, 2006**

(54) **CORKSCREW OPENER**

(76) Inventor: **Vincent W. F. Yeung**, 12/FL Enterprise Square Two, 3 Shaung Yuet Road, Kowloon Bay (HK)

(**) Term: **14 Years**

(21) Appl. No.: **29/199,160**

(22) Filed: **Feb. 10, 2004**

(51) **LOC (8) Cl.** **07-99**
(52) **U.S. Cl.** **D8/39; D8/42**
(58) **Field of Classification Search** D8/18, D8/33-43; 7/151-156; 30/400-443; 81/3.07-3.49
See application file for complete search history.

(56) **References Cited**

U.S. PATENT DOCUMENTS

D442,043 S * 5/2001 Kao D8/39
D444,045 S * 6/2001 Kay D8/39
D467,141 S * 12/2002 Li D8/39

D467,142 S * 12/2002 Li D8/39
D468,602 S * 1/2003 Yu D8/39
D471,777 S * 3/2003 Yu D8/39

* cited by examiner

Primary Examiner—Caron D. Veynar

(57) **CLAIM**

The ornamental design for a corkscrew opener, as shown and described.

DESCRIPTION

FIG. 1 is a front perspective view of a corkscrew opener illustrating my design;
FIG. 2 is a rear perspective view of my corkscrew design;
FIG. 3 is a top view of the opener;
FIG. 4 is a side elevation view of the opener;
FIG. 5 is a front view of the opener;
FIG. 6 is a rear view of the opener; and,
FIG. 7 is a bottom view of the opener.

1 Claim, 3 Drawing Sheets

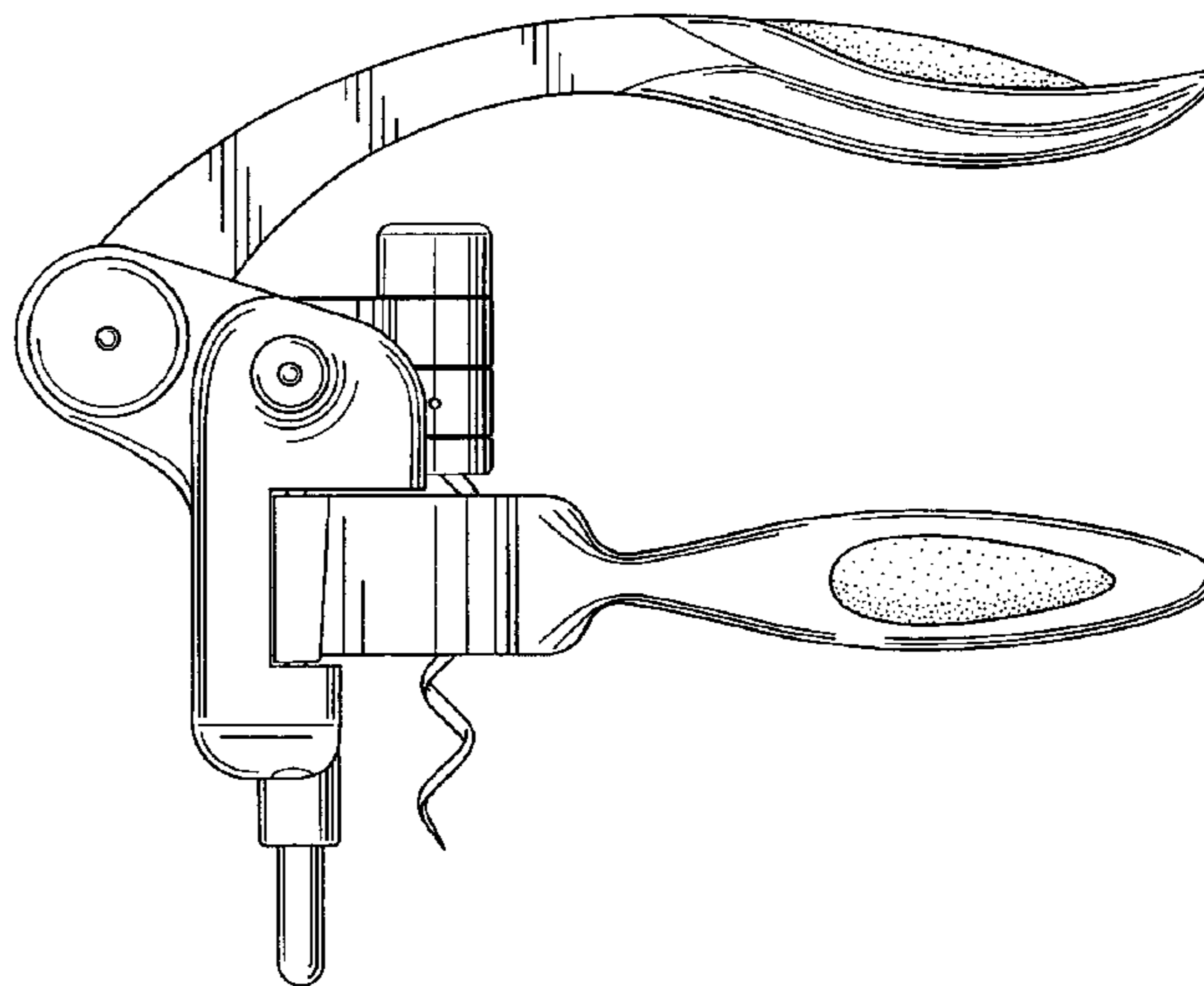
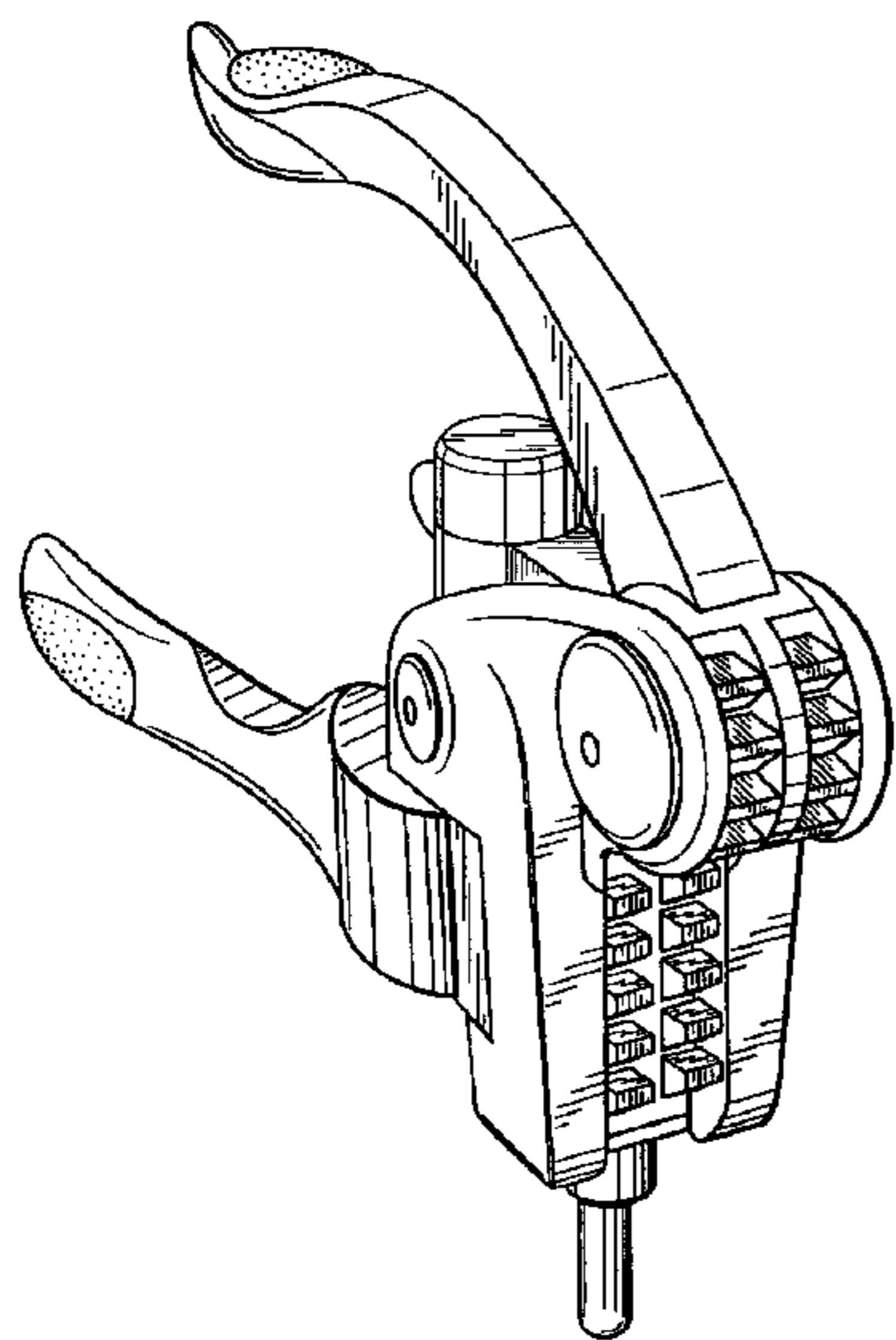


Fig. 1

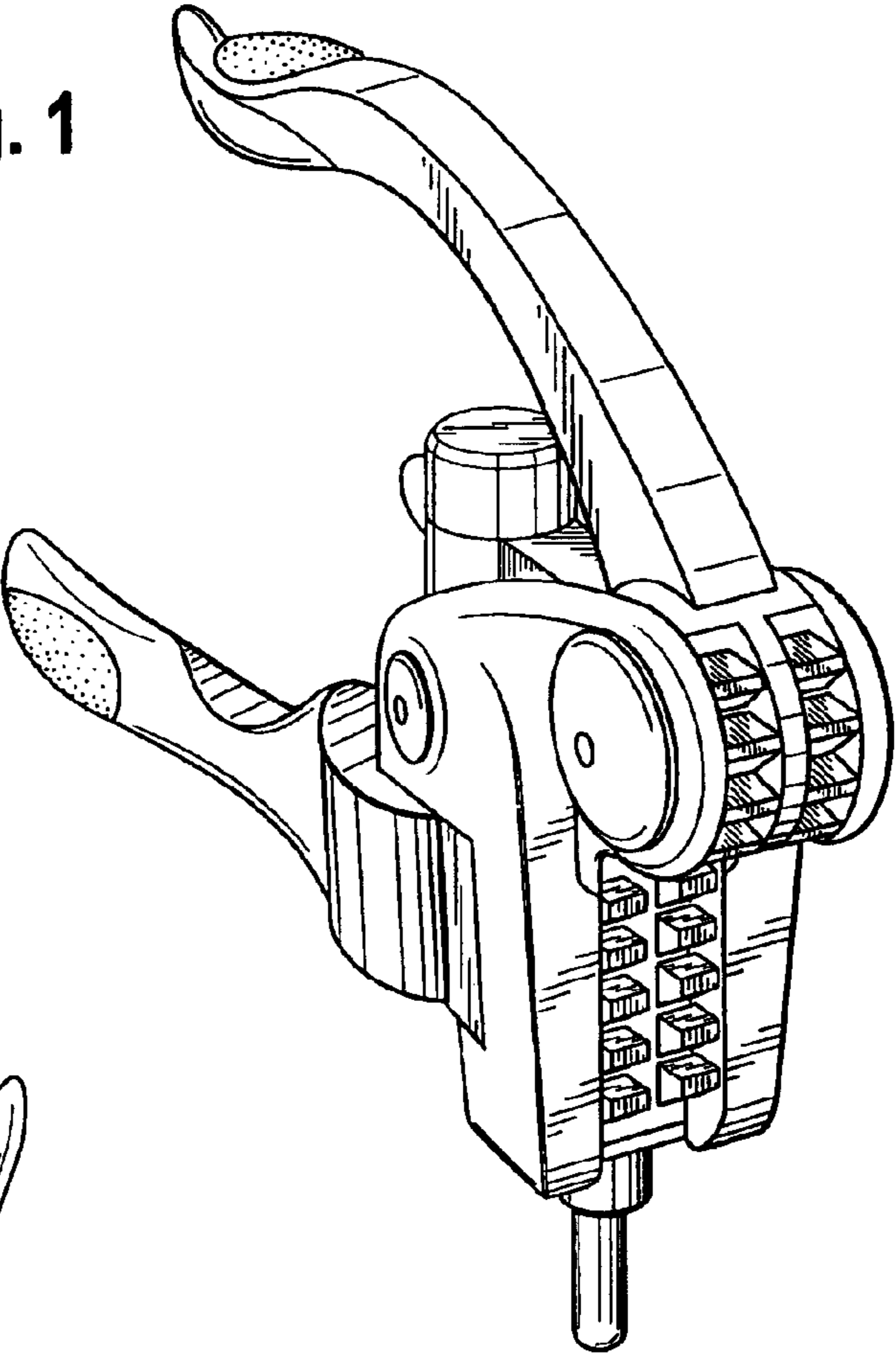


Fig. 2

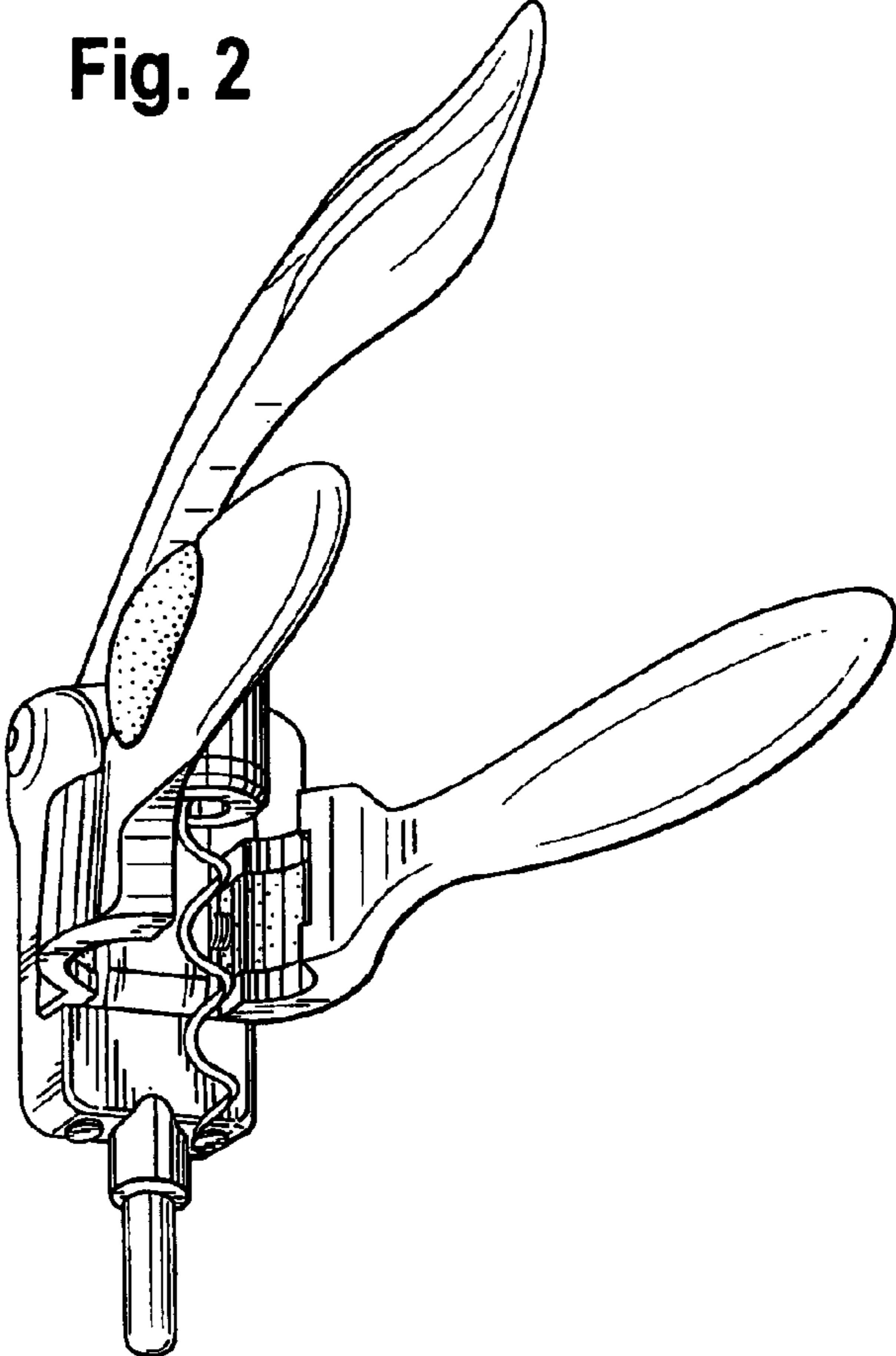


Fig. 3

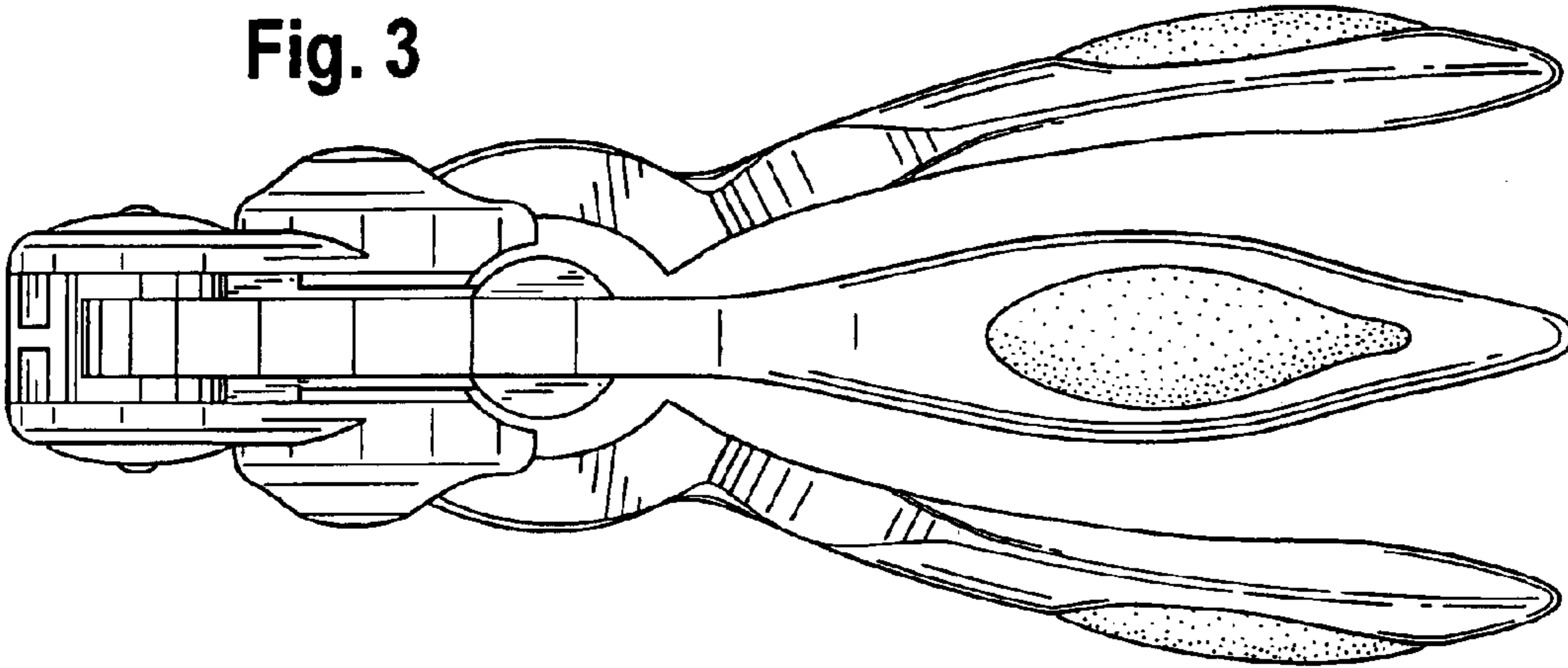
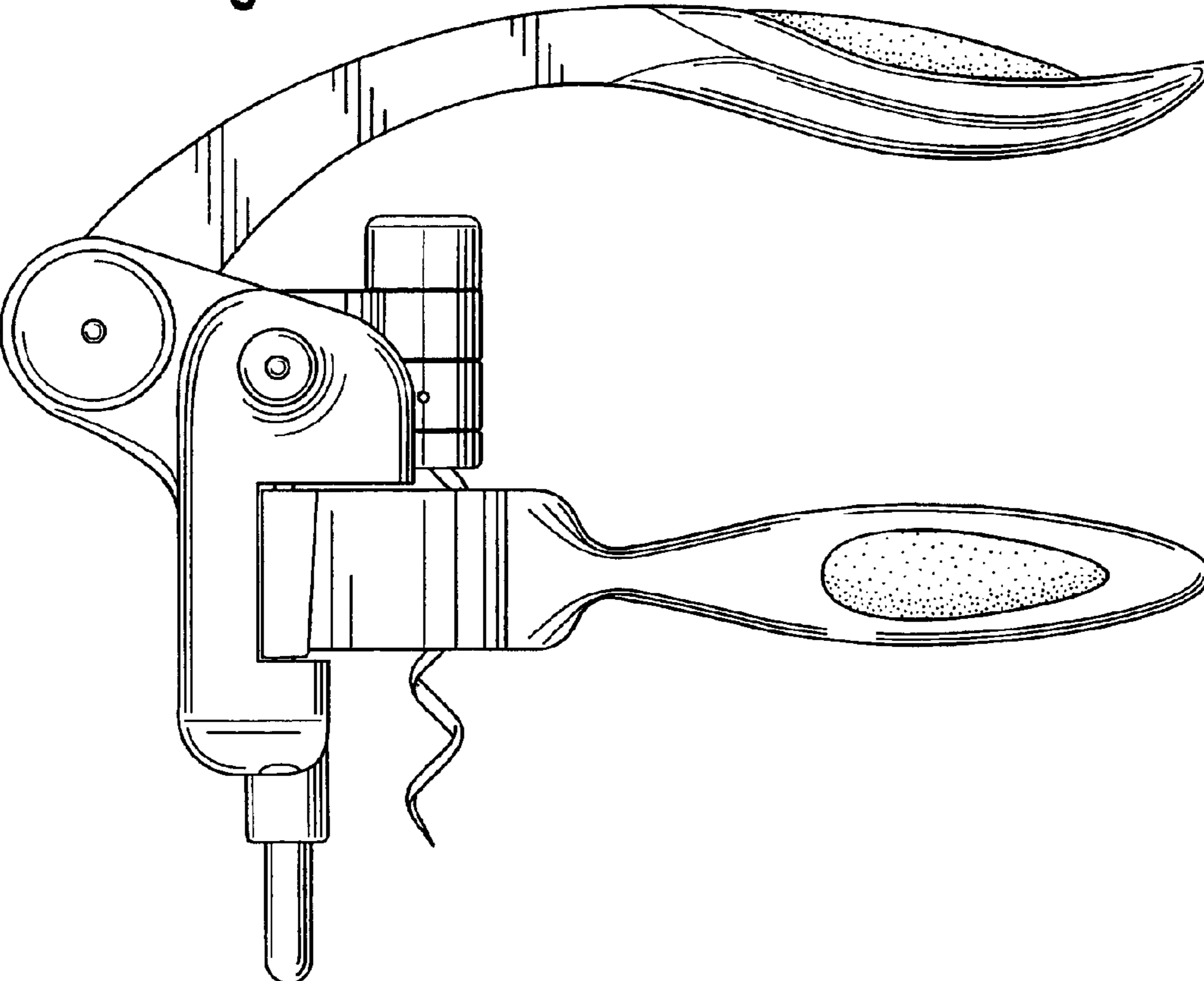


Fig. 4



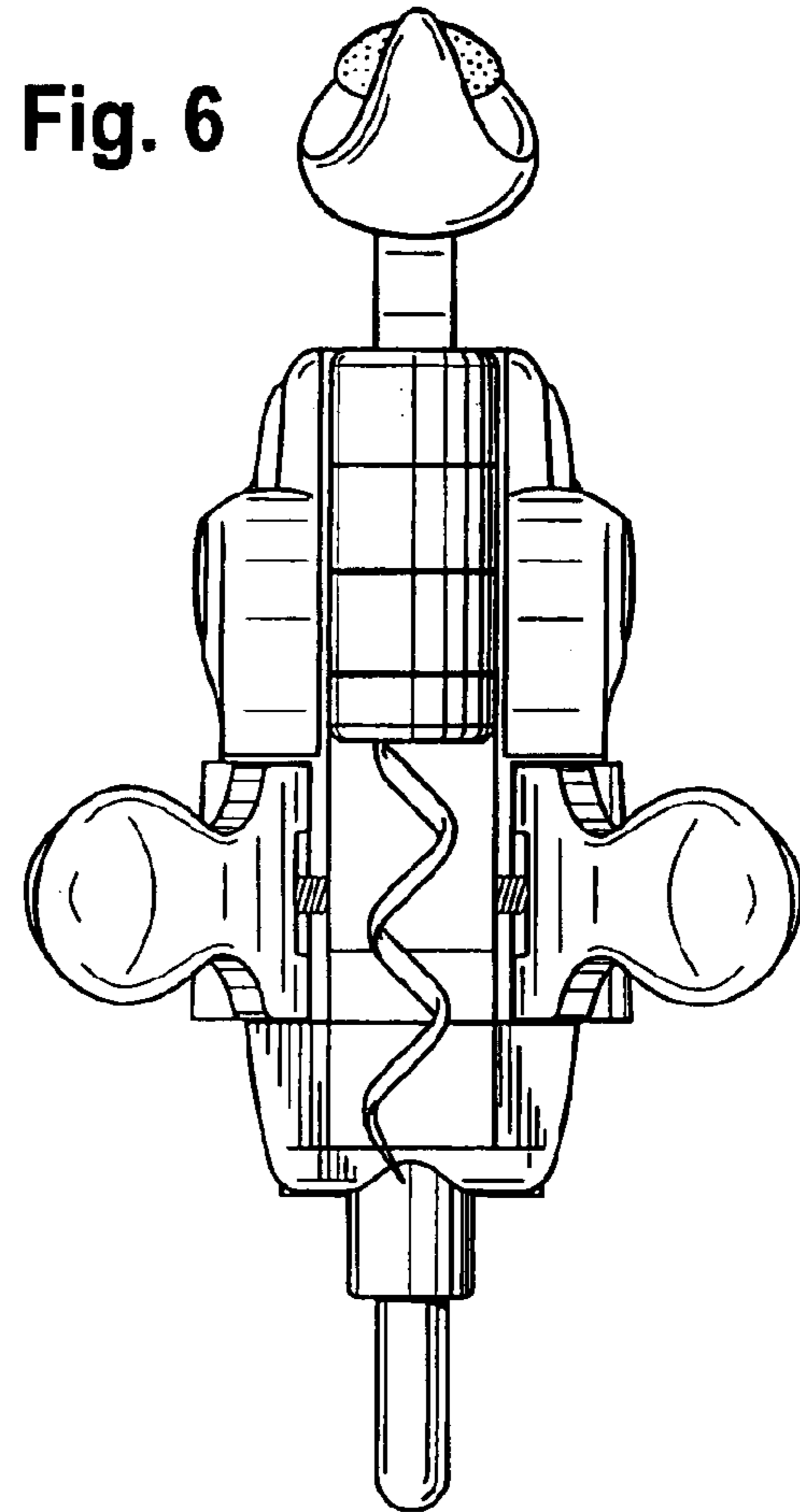
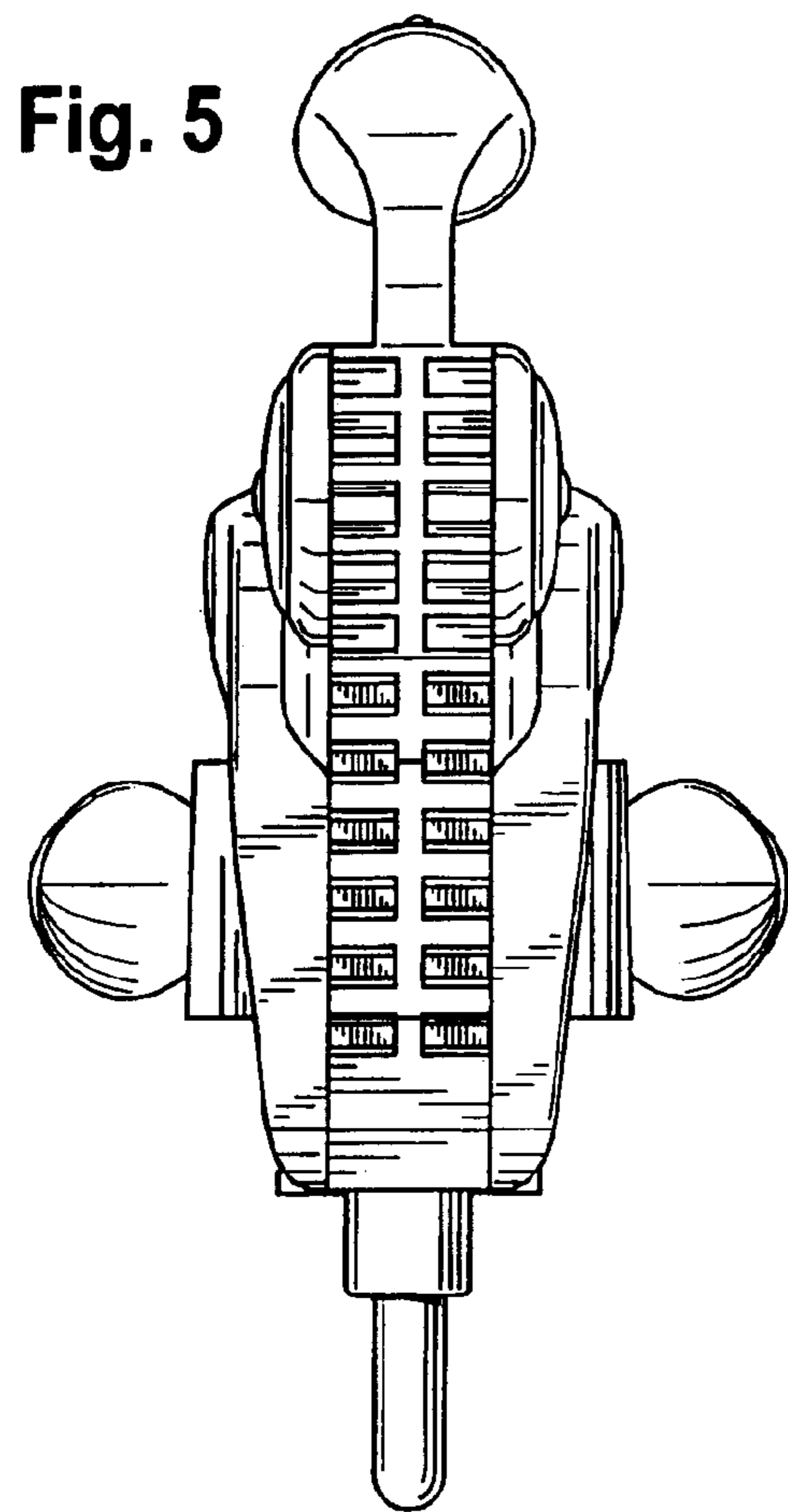


Fig. 7

