

US00D523710S

(12) **United States Design Patent**
Noonan

(10) **Patent No.:** **US D523,710 S**
(45) **Date of Patent:** **** Jun. 27, 2006**

(54) **WHEELED SHOVEL**

4,224,751 A 9/1980 Schoemann et al.

(75) Inventor: **Mark Noonan**, New Canaan, CT (US)

(Continued)

(73) Assignee: **Snow Solutions LLC**, New Canaan, CT (US)

FOREIGN PATENT DOCUMENTS

(**) Term: **14 Years**

CA	2501109	3/2005
CN	200510059163.8	3/2005
EP	1 580 322	3/2005
JP	2005-087306	3/2005
WO	WO 2005/098142	10/2005

(21) Appl. No.: **29/242,774**

OTHER PUBLICATIONS

(22) Filed: **Nov. 15, 2005**

Related U.S. Application Data

(63) Continuation of application No. 29/240,982, filed on Oct. 20, 2005.

U.S. Appl. No. 29/234,046, filed Jul. 13, 2005, Noonan et al.
U.S. Appl. No. 29/240,980, filed Oct. 20, 2005, Noonan et al.

(51) **LOC (8) Cl.** **08-01**

U.S. Appl. No. 29/240,981, filed Oct. 20, 2005, Noonan et al.

(52) **U.S. Cl.** **D8/10**

U.S. Appl. No. 29/240,982, filed Oct. 20, 2005, Noonan et al.

(58) **Field of Classification Search** D8/10;
294/53.5, 54.5; 37/265

Field Corn Planter, http://etc.usf.edu/clipart/4200/4213/planter_5.htm, Mar. 11, 2005, 2 pages.

See application file for complete search history.

Primary Examiner—Holly H. Baynham

(74) *Attorney, Agent, or Firm*—Harness, Dickey & Pierce, P.L.C.

(56) **References Cited**

(57) **CLAIM**

U.S. PATENT DOCUMENTS

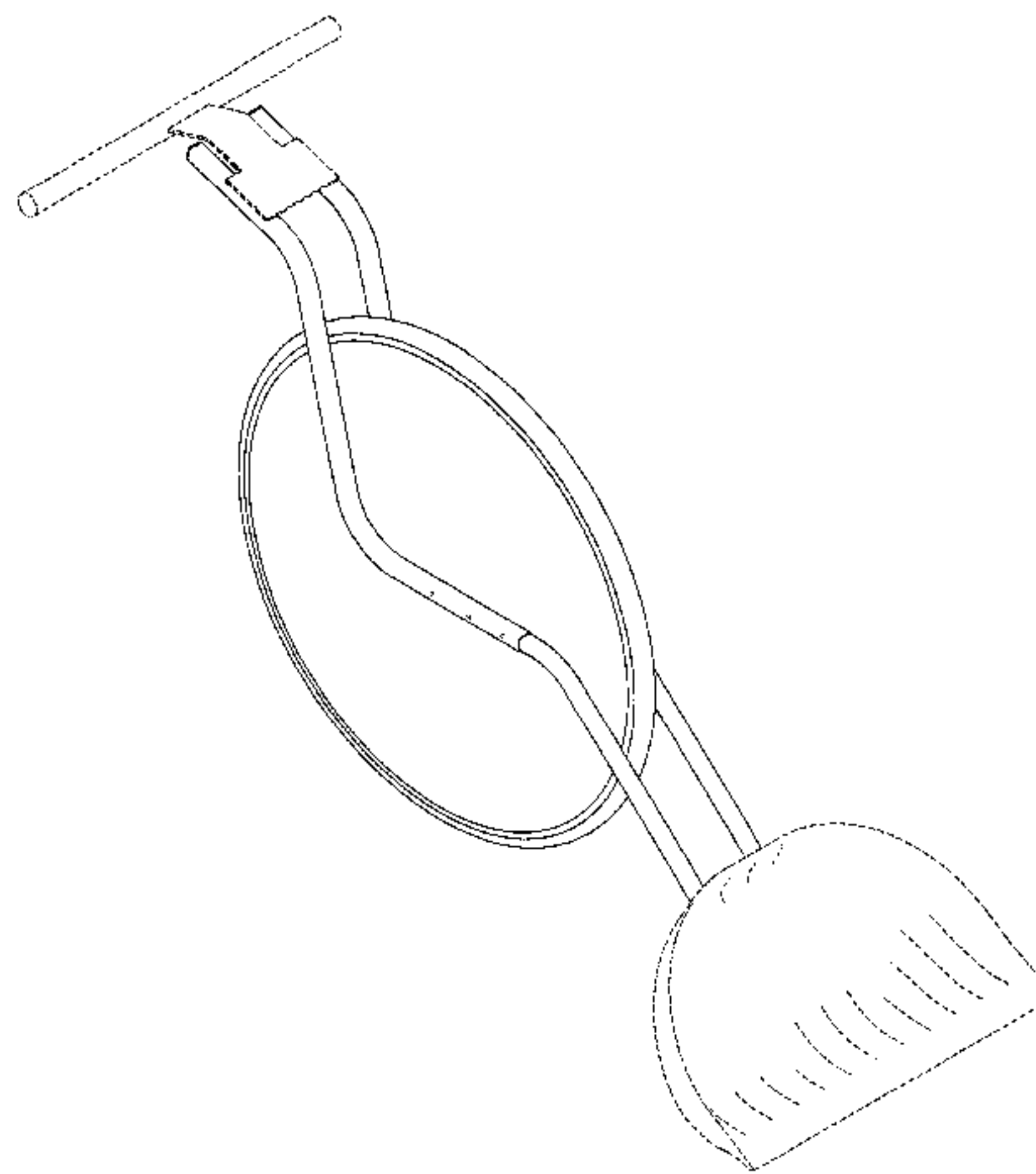
The ornamental design for a wheeled shovel, as shown and described.

328,633 A	10/1885	Angell	
1,514,076 A	11/1924	Brown	
1,683,732 A	9/1928	Selin	
2,470,217 A	5/1949	McLoughlin	
2,520,606 A	8/1950	McLoughlin	
2,863,232 A	12/1958	Steinbach et al.	
2,867,827 A	1/1959	Gantz	
2,930,152 A	3/1960	Pipkin	
3,107,446 A	10/1963	Messinger	
3,136,574 A	6/1964	Pasquale	
3,468,041 A	9/1969	Mattson et al.	
3,469,326 A	9/1969	Malickson	
3,475,838 A	11/1969	Hagen et al.	
3,643,356 A	2/1972	Gohl	
3,748,761 A	7/1973	Chetwynde	
3,751,058 A *	8/1973	Larsen	280/30
4,153,287 A	5/1979	Towsend	
4,161,073 A *	7/1979	Oakes	37/265
4,179,828 A	12/1979	Brunty	
4,214,385 A	7/1980	Baranowski et al.	

DESCRIPTION

FIG. 1 is an upper perspective view of the wheeled shovel, showing my new design;
FIG. 2 is another upper perspective view thereof;
FIG. 3 is a lower perspective view thereof;
FIG. 4 is another lower perspective view thereof;
FIG. 5 is a top plan view thereof;
FIG. 6 is a bottom plan view thereof;
FIG. 7 is a front elevation view thereof;
FIG. 8 is a rear elevation view thereof;
FIG. 9 is a right elevation view thereof; and,
FIG. 10 is a left elevation view thereof.
The details shown in broken lines are for illustrative purposes only and form no part of the claimed design.

1 Claim, 10 Drawing Sheets



US D523,710 S

Page 2

U.S. PATENT DOCUMENTS

4,231,604 A	11/1980	Obergfell						
4,690,447 A	9/1987	Adams						
4,704,758 A	11/1987	Hoffman						
4,865,373 A	9/1989	Hudson						
D314,318 S	* 2/1991	Uimonen	D8/10				
5,048,206 A	9/1991	Jones						
5,054,278 A	10/1991	Thorndike						
5,074,064 A	12/1991	Nickels						
5,117,530 A	6/1992	Rank						
5,123,187 A	6/1992	Zamaria						
5,511,327 A	4/1996	Jurkowski et al.						
D375,235 S	* 11/1996	Spear et al.	D8/10				
5,581,915 A	12/1996	Lobato						
					5,727,799 A	3/1998	DiSario	
					5,810,408 A	9/1998	Armstrong	
					5,918,921 A	7/1999	Samuelson	
					D415,663 S	* 10/1999	Whitehead et al.	D8/10
					6,334,640 B1	1/2002	Werner et al.	
					D459,641 S	* 7/2002	Guneyusu D8/10
					6,474,007 B1	11/2002	Wueshige et al.	
					6,643,958 B1	11/2003	Krejci	
					6,675,507 B1	1/2004	Petruzzelli	
					6,735,887 B1	5/2004	Muzzammel	
					6,922,920 B1	* 8/2005	Stratz 37/197
					2005/0160633 A1	7/2005	Noonan	

* cited by examiner

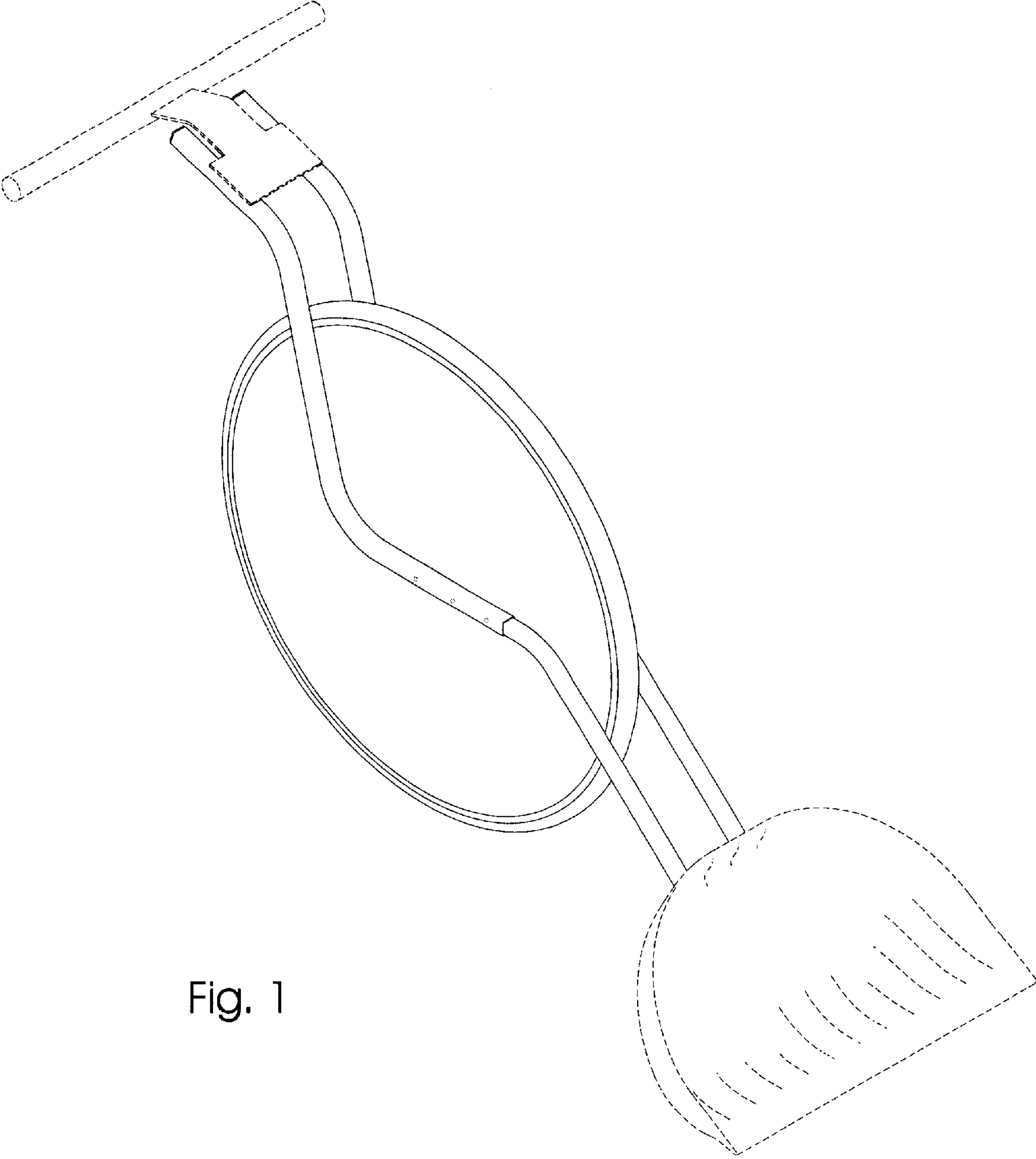


Fig. 1

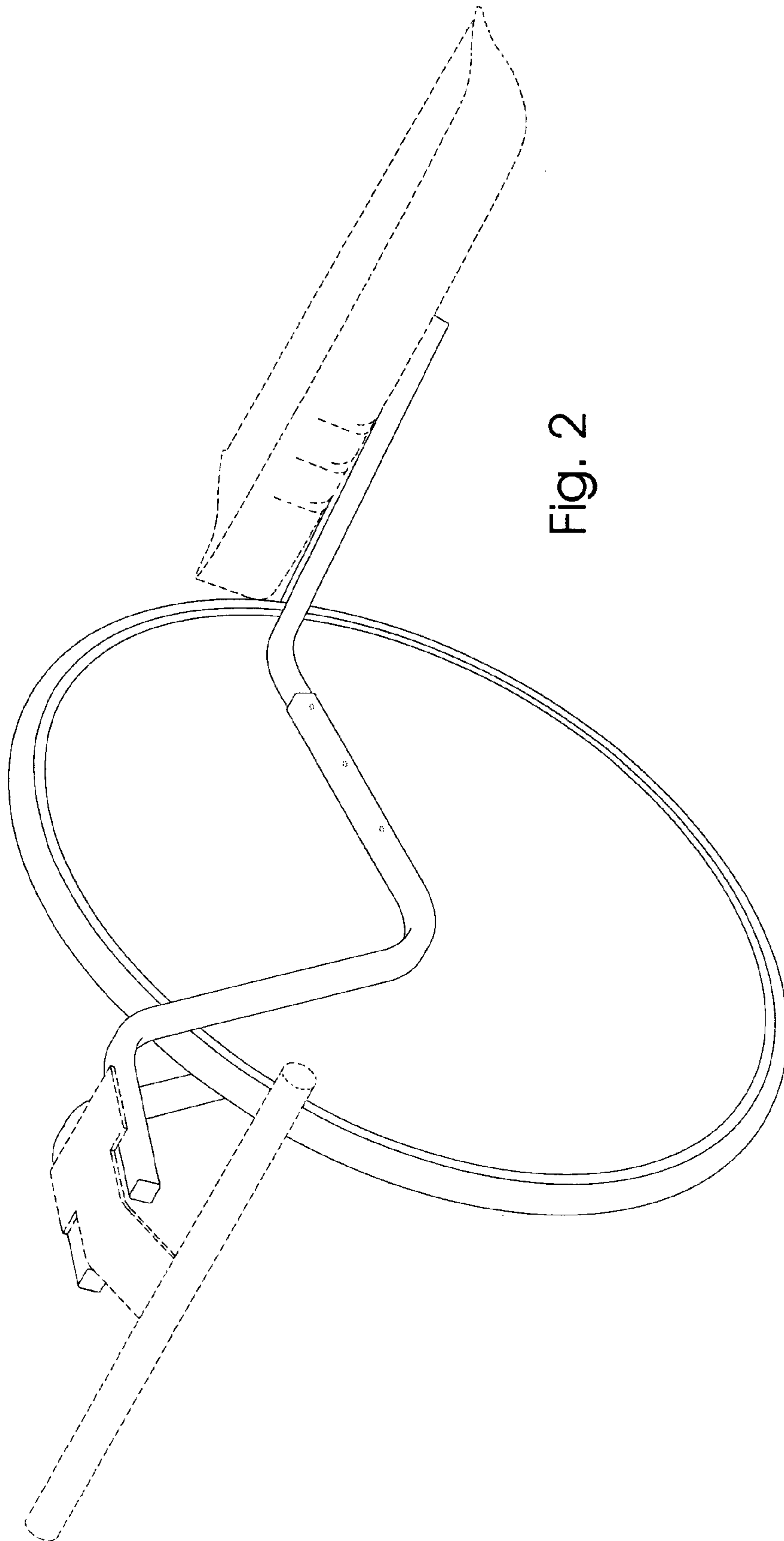


Fig. 2

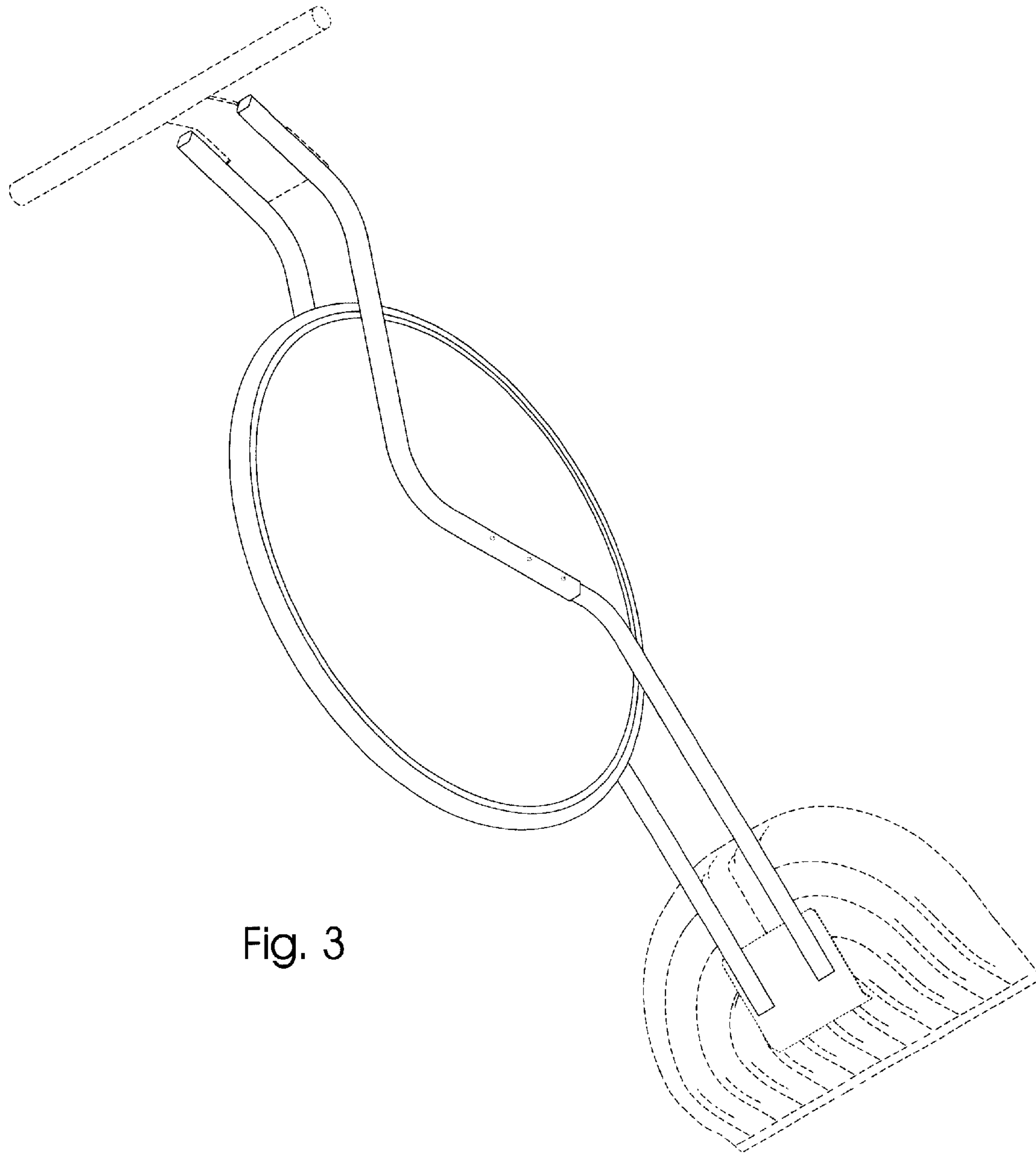


Fig. 3

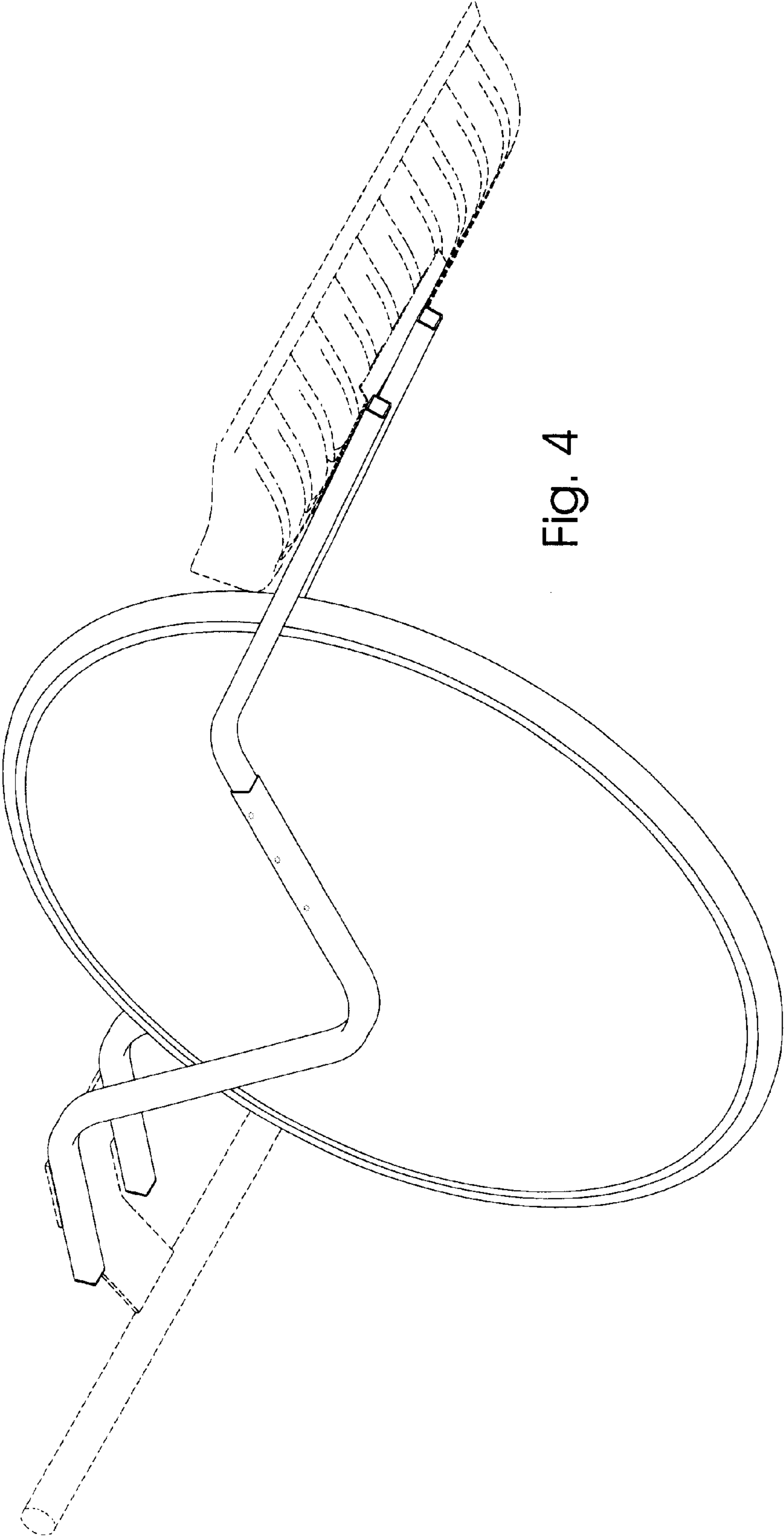


Fig. 4

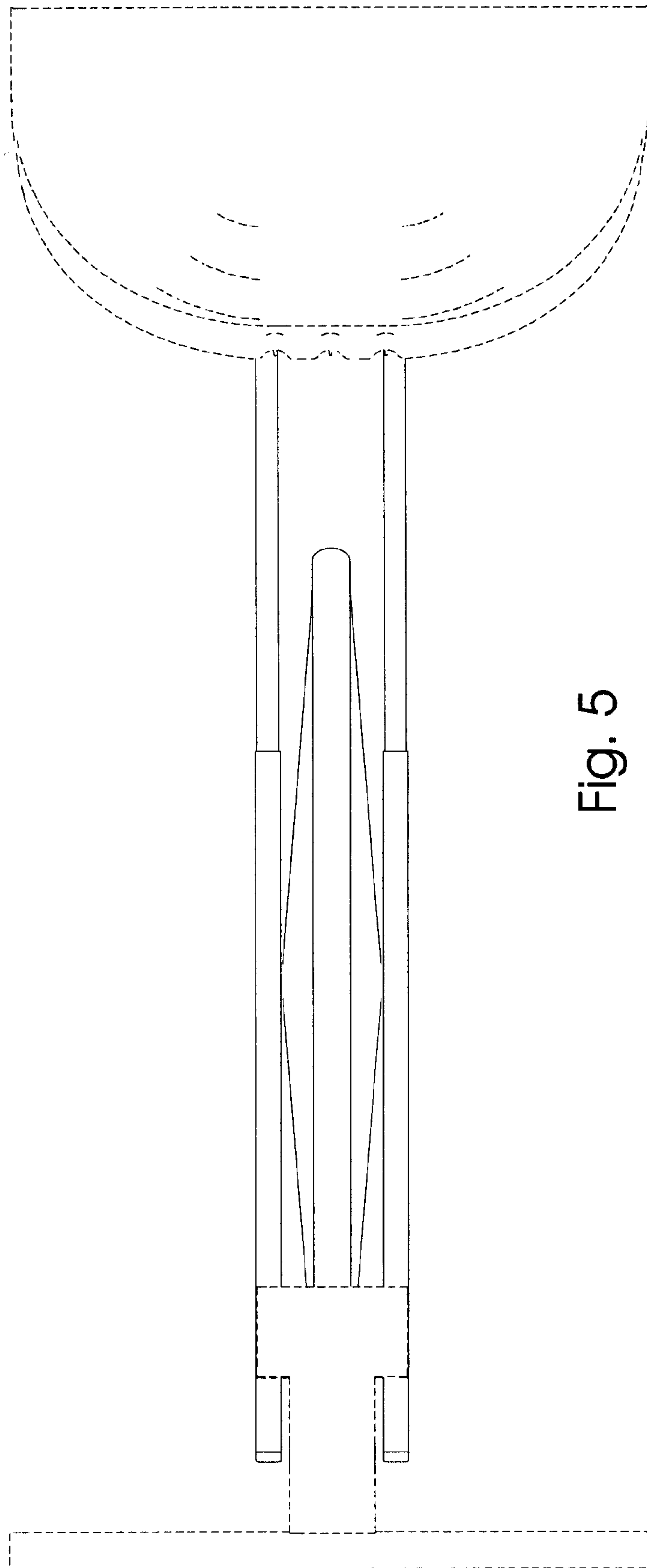


Fig. 5

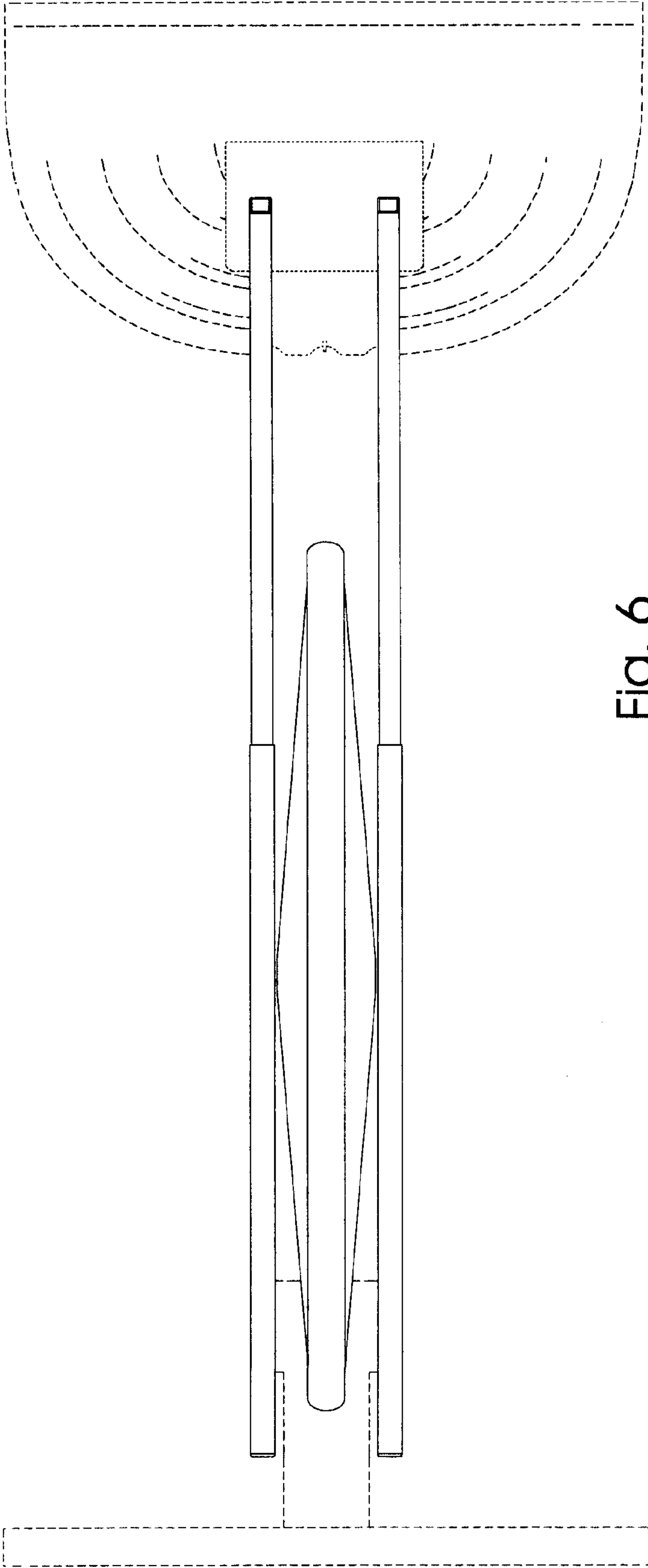


Fig. 6

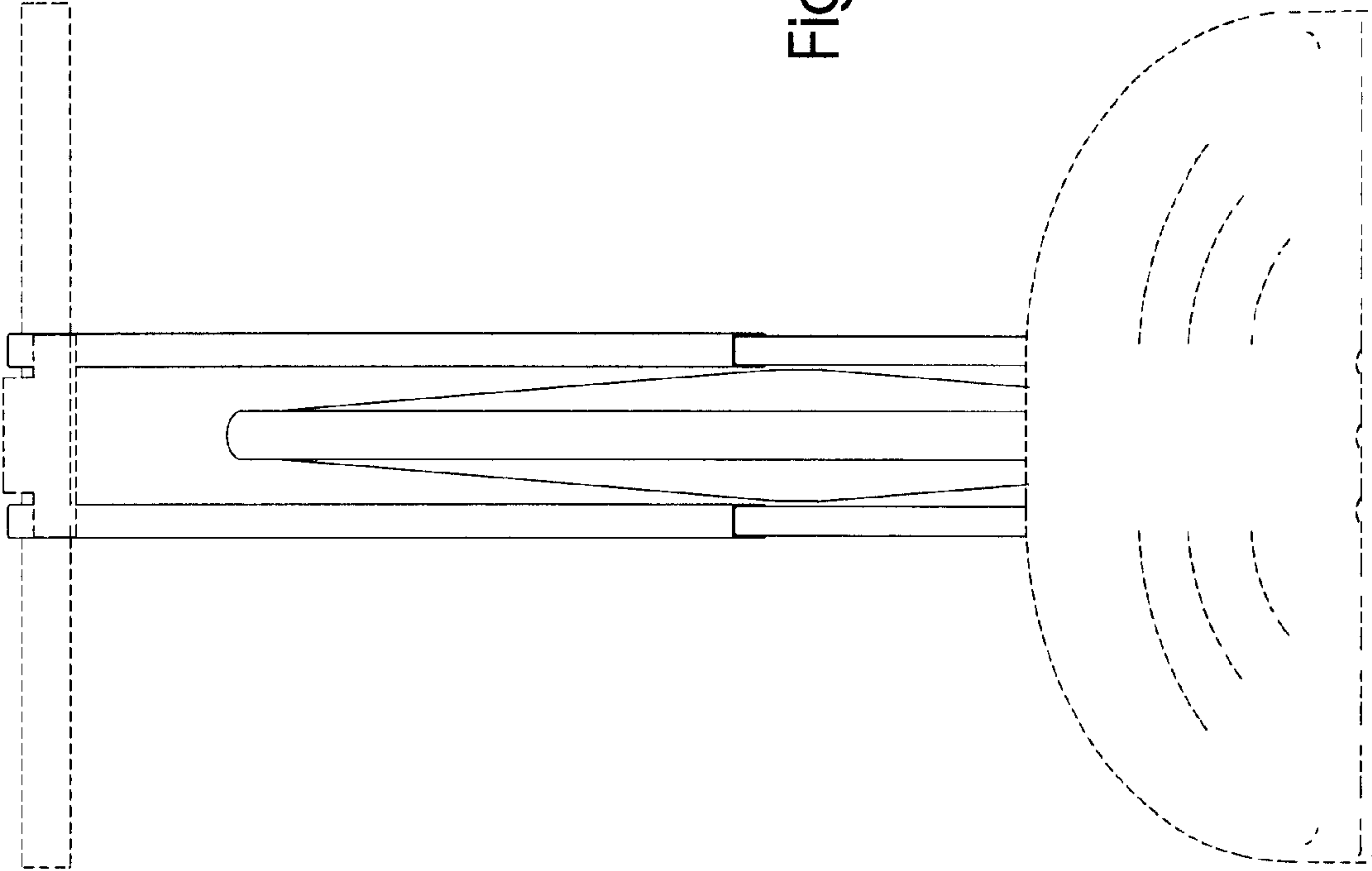


Fig. 7

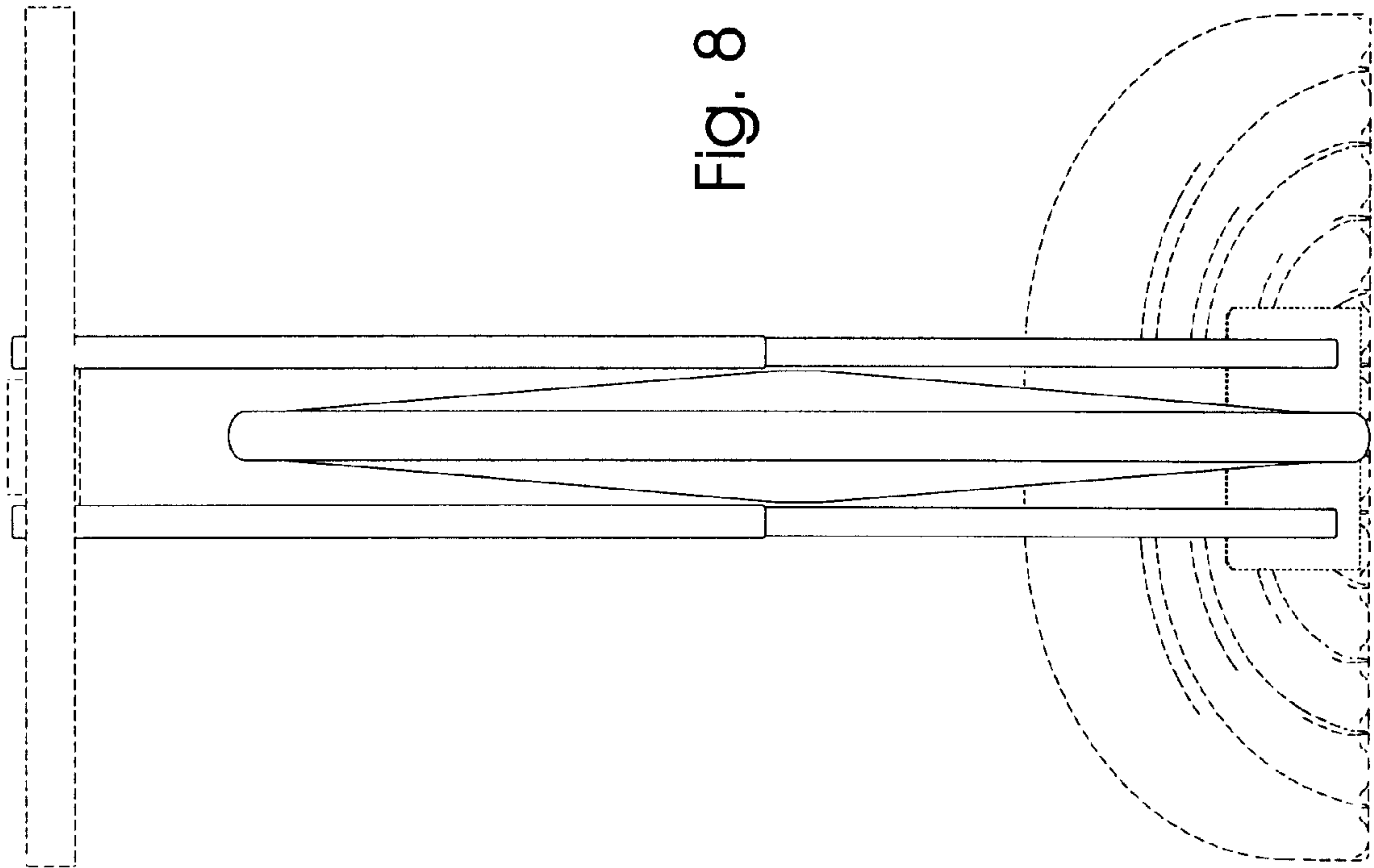


Fig. 8

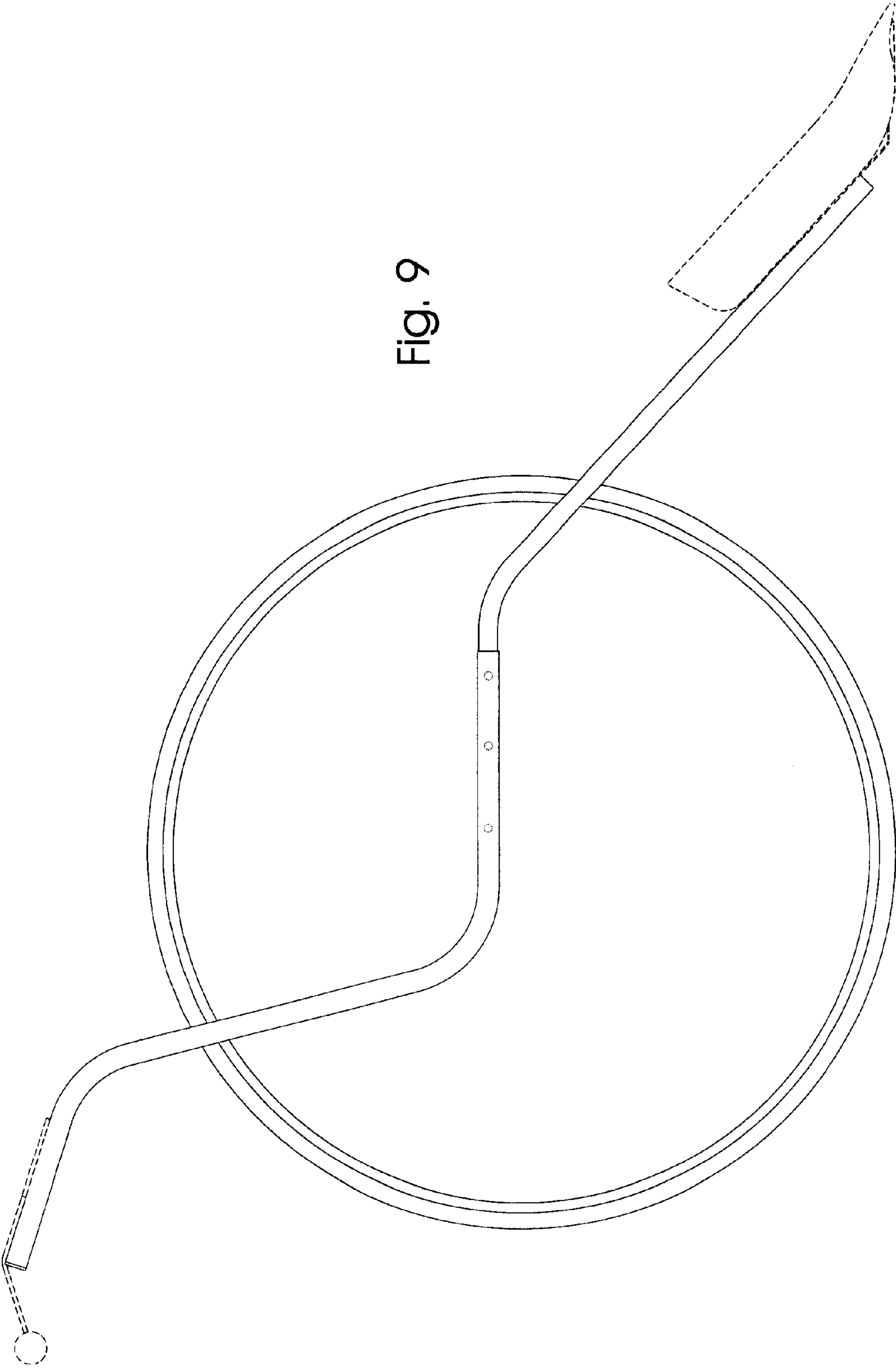


Fig. 9

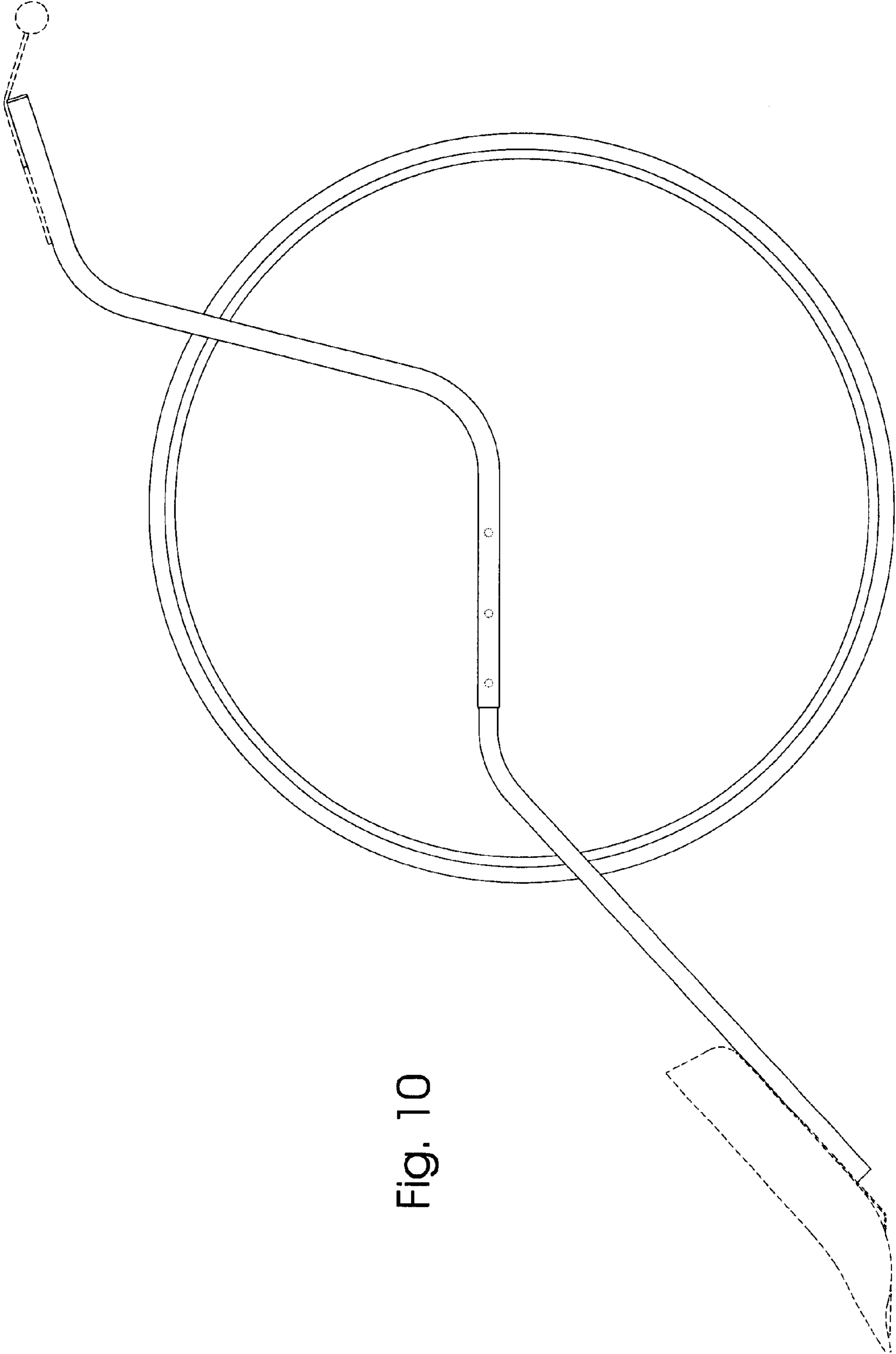


Fig. 10