



US00D523706S

(12) **United States Design Patent**
Hicks et al.

(10) **Patent No.: US D523,706 S**
(45) **Date of Patent: ** Jun. 27, 2006**

(54) **JACKET FOR BEVERAGE CONTAINER**

(75) Inventors: **Michael E. Hicks**, Mesquite, TX (US);
Michael B. Shoaf, Mesquite, TX (US)

(73) Assignee: **Numo Manufacturing, Inc.**, Kaufman,
TX (US)

(**) Term: **14 Years**

(21) Appl. No.: **29/221,822**

(22) Filed: **Jan. 21, 2005**

Related U.S. Application Data

(63) Continuation-in-part of application No. 29/208,131, filed on
Jun. 24, 2004.

(51) **LOC (8) Cl.** **07-06**

(52) **U.S. Cl.** **D7/625**

(58) **Field of Classification Search** D2/909-915;
D7/619.1-625, 605-608; 62/457.1-457.5,
62/529, 530; 220/737, 739, 902, 903

See application file for complete search history.

(56) **References Cited**

U.S. PATENT DOCUMENTS

2,103,092 A	12/1937	Robinson	93/35
2,409,820 A	10/1946	Zimmern	215/12
2,484,776 A	10/1949	Zent et al.	229/8
3,379,335 A	4/1968	Mongelluzzo	220/62
3,865,269 A	2/1975	Coleman	220/6
4,194,627 A	3/1980	Christensen	206/545
4,194,652 A	3/1980	Williamson et al.	222/185
4,197,890 A	4/1980	Simko	150/2.2
D262,084 S	* 12/1981	Hayden, Jr.	D7/625
D262,854 S	* 2/1982	Hayden, Jr.	D7/625
4,401,245 A	8/1983	Zills	224/148
4,540,611 A	9/1985	Henderson	428/12
4,628,007 A	12/1986	Ledsham	428/542.8
4,746,028 A	5/1988	Bagg	220/85
4,802,602 A	2/1989	Evans et al.	220/85
4,815,999 A	3/1989	Ayon et al.	446/73
4,867,214 A	9/1989	Fuller	428/35.8

4,986,089 A	*	1/1991	Raab	62/457.4
5,169,025 A		12/1992	Guo	220/739
D335,245 S		5/1993	Bauer	D7/608
5,207,076 A		5/1993	Sciarrillo	62/457.4
5,211,307 A		5/1993	Jeffries	220/739
D349,217 S	*	8/1994	Spencer	D7/625
5,390,804 A		2/1995	Beggins	215/110 R
5,415,305 A		5/1995	Drake-Tipton et al.	215/392
5,445,315 A		8/1995	Shelby	229/117.06
D368,000 S		3/1996	Mazza et al.	D7/625
D376,956 S		12/1996	Sharp	D7/607
D376,957 S		12/1996	Sharp	D7/607
D378,195 S		2/1997	Bird	D9/444
D403,209 S		12/1998	Zigterman	D7/625
5,845,806 A		12/1998	Parchman	220/739
5,984,136 A		11/1999	Mason	220/737
6,000,575 A		12/1999	LaCour et al.	220/739
6,026,983 A		2/2000	Graham	220/738
6,039,206 A		3/2000	DeFrancesco	220/737
6,059,138 A		5/2000	Labruyere	220/574
6,059,140 A		5/2000	Hicks	220/739
6,079,316 A		6/2000	Barden et al.	99/297
6,164,487 A		12/2000	Hicks	220/739

* cited by examiner

Primary Examiner—Terry A. Wallace

(74) *Attorney, Agent, or Firm*—Kennedy Covington
Lobdell & Hickman, LLP

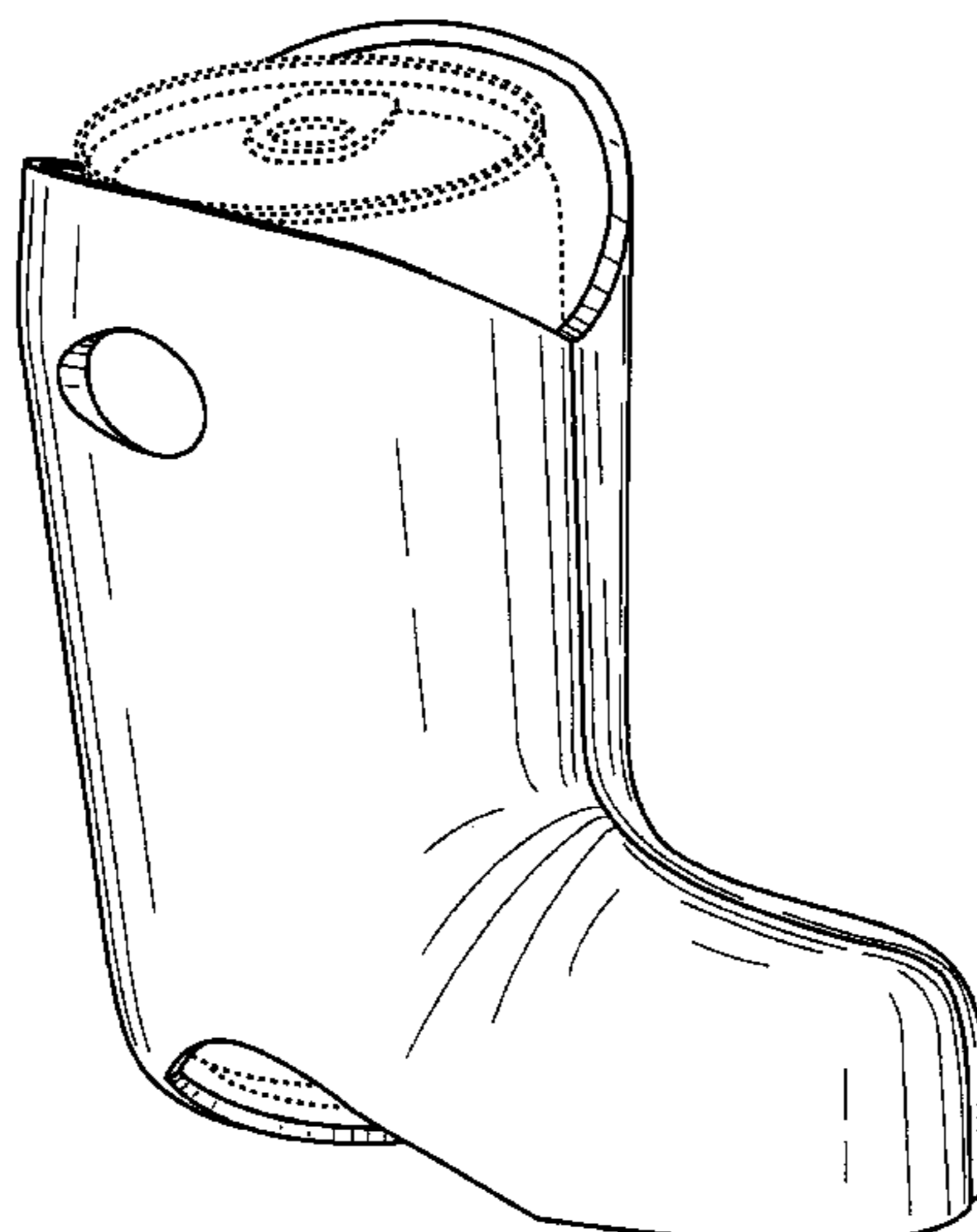
(57) **CLAIM**

The ornamental design for a jacket for beverage container,
as shown and described.

DESCRIPTION

FIG. 1 is a perspective view of a jacket for beverage
container showing our new design as placed about a beverage
container shown in phantom lines;
FIG. 2 is a side elevational view thereof;
FIG. 3 is a front elevational view thereof;
FIG. 4 is a rear elevational view thereof;
FIG. 5 is a top plan view thereof; and
FIG. 6 is a bottom plan view thereof; and,
FIG. 7 is a side elevational view thereof, in flattened form.

1 Claim, 5 Drawing Sheets



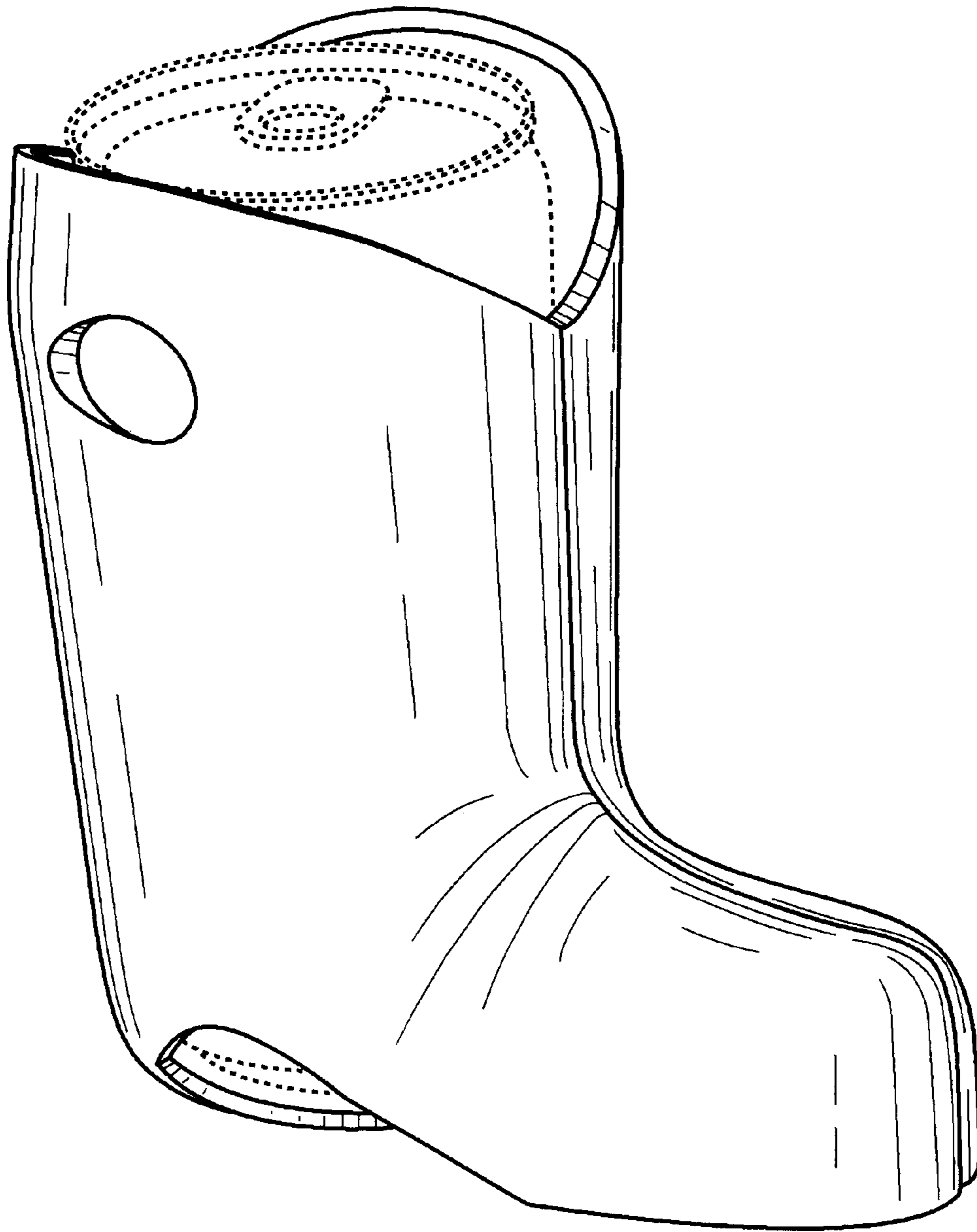


FIG. 1

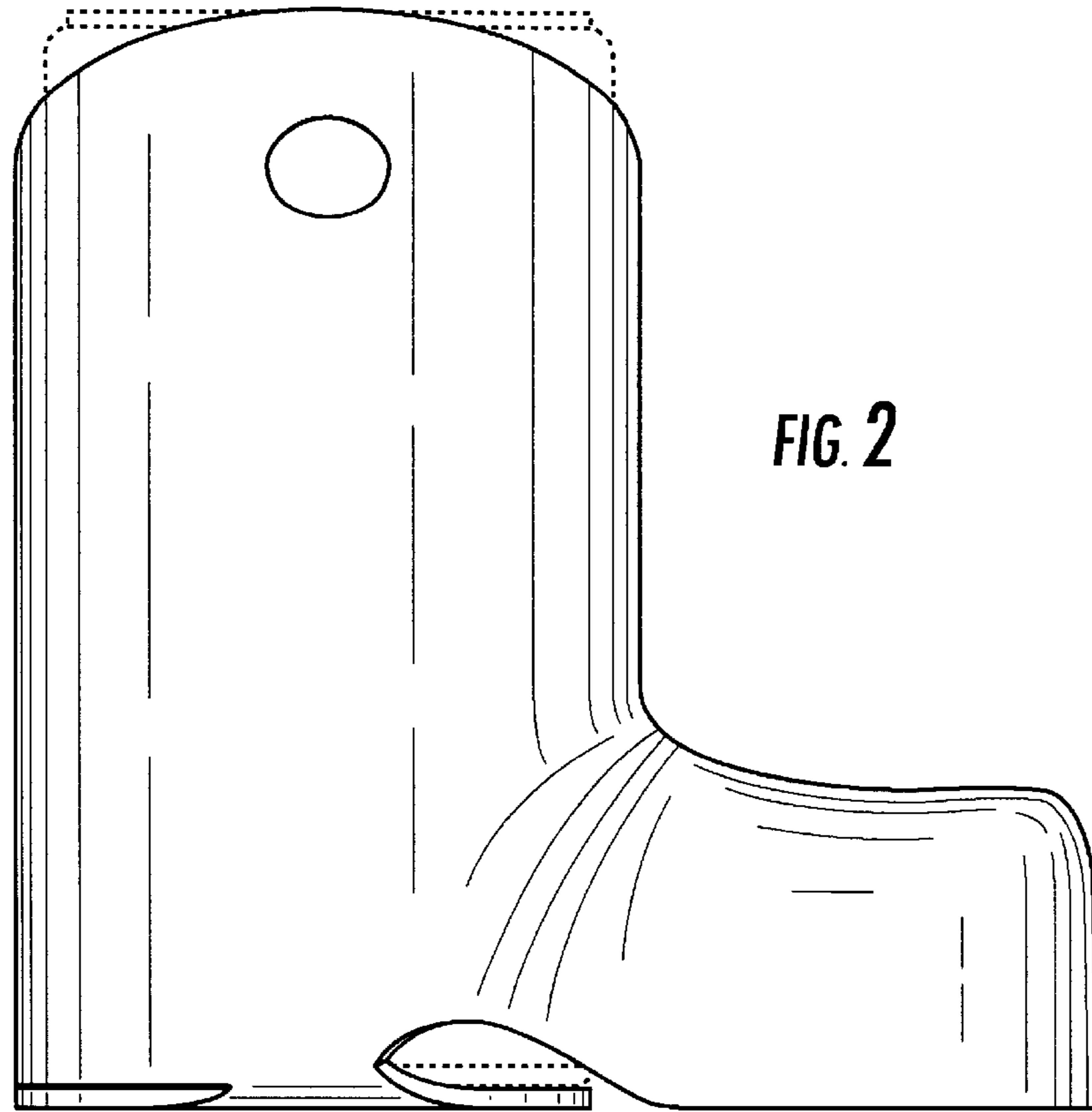


FIG. 2

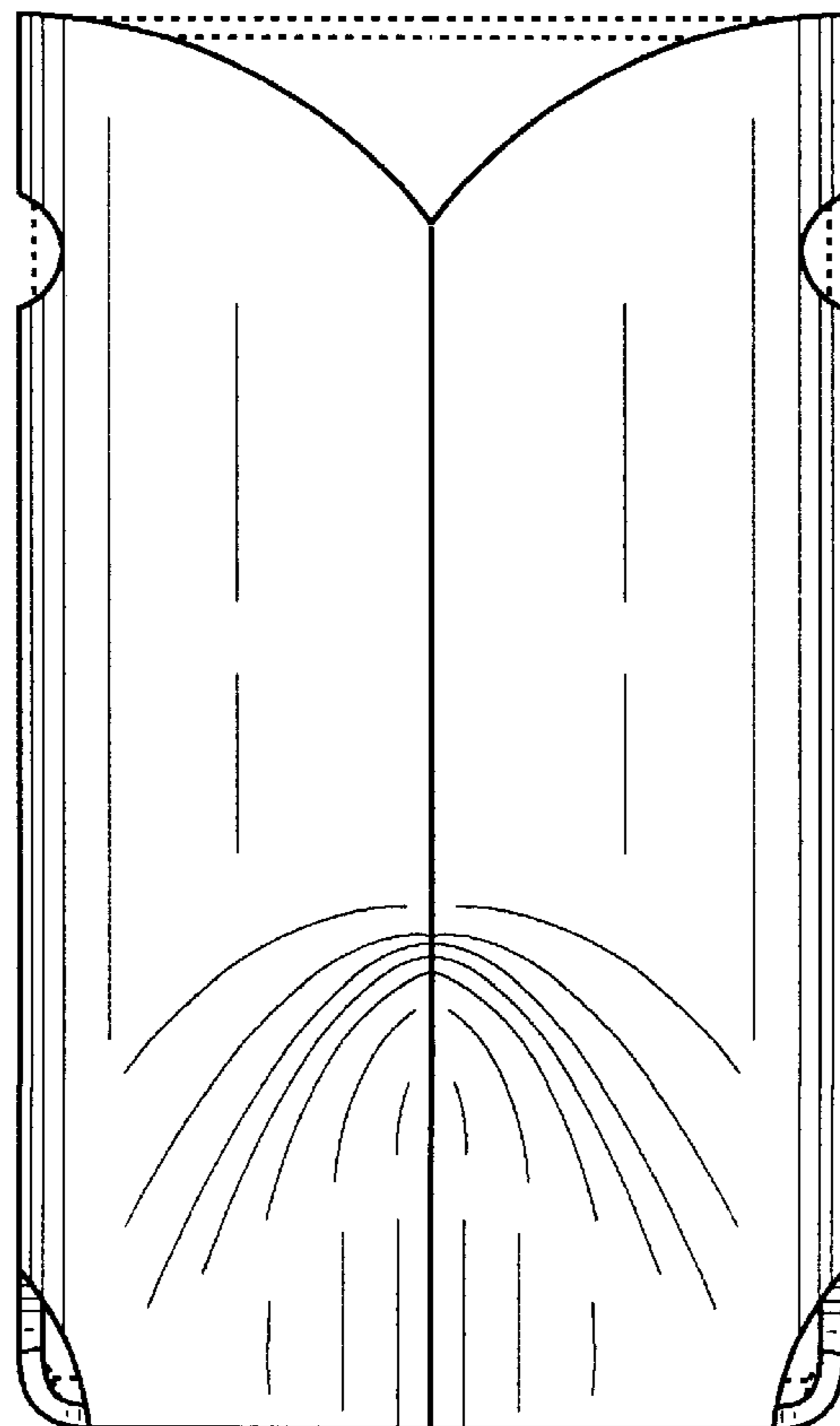


FIG. 3

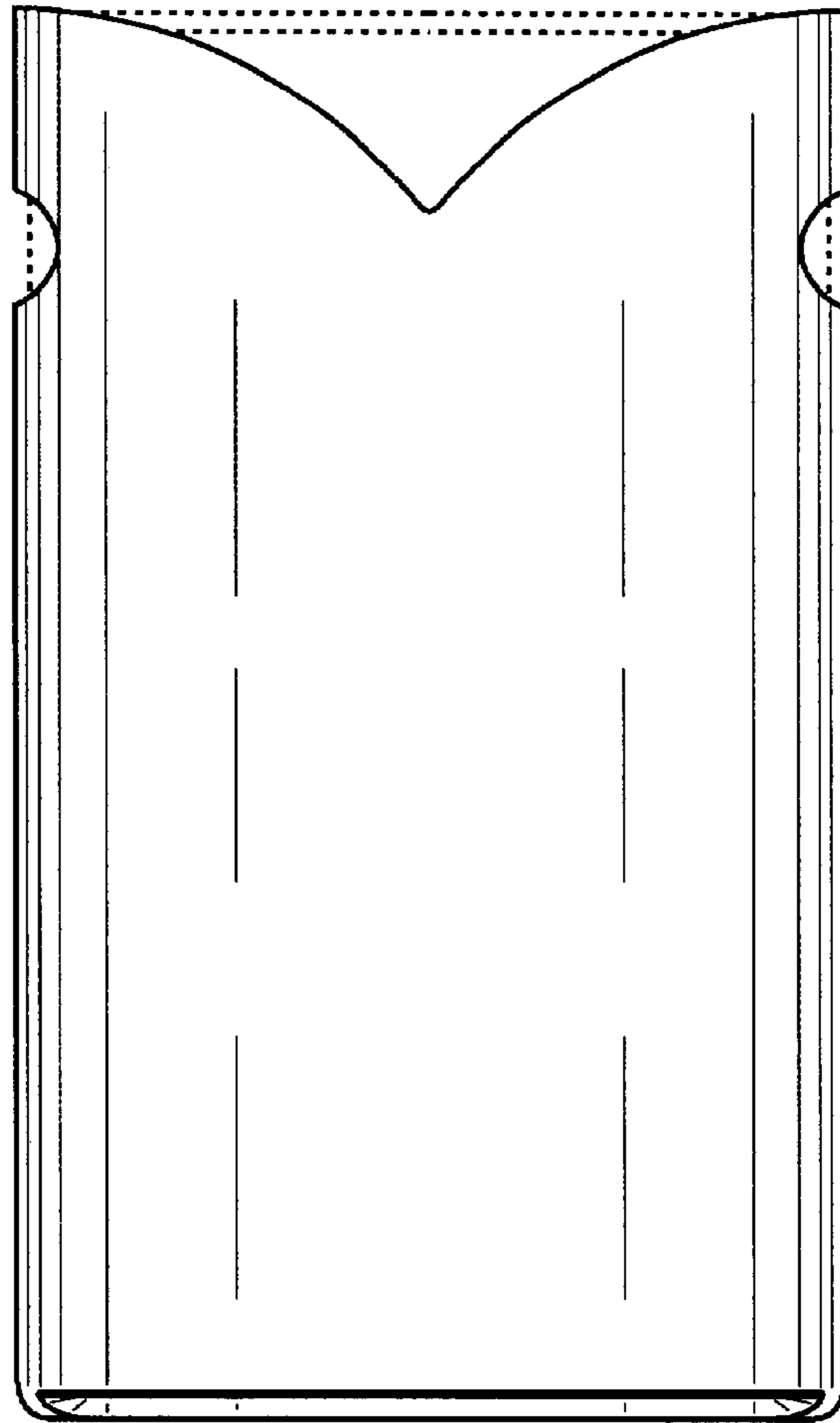


FIG. 4

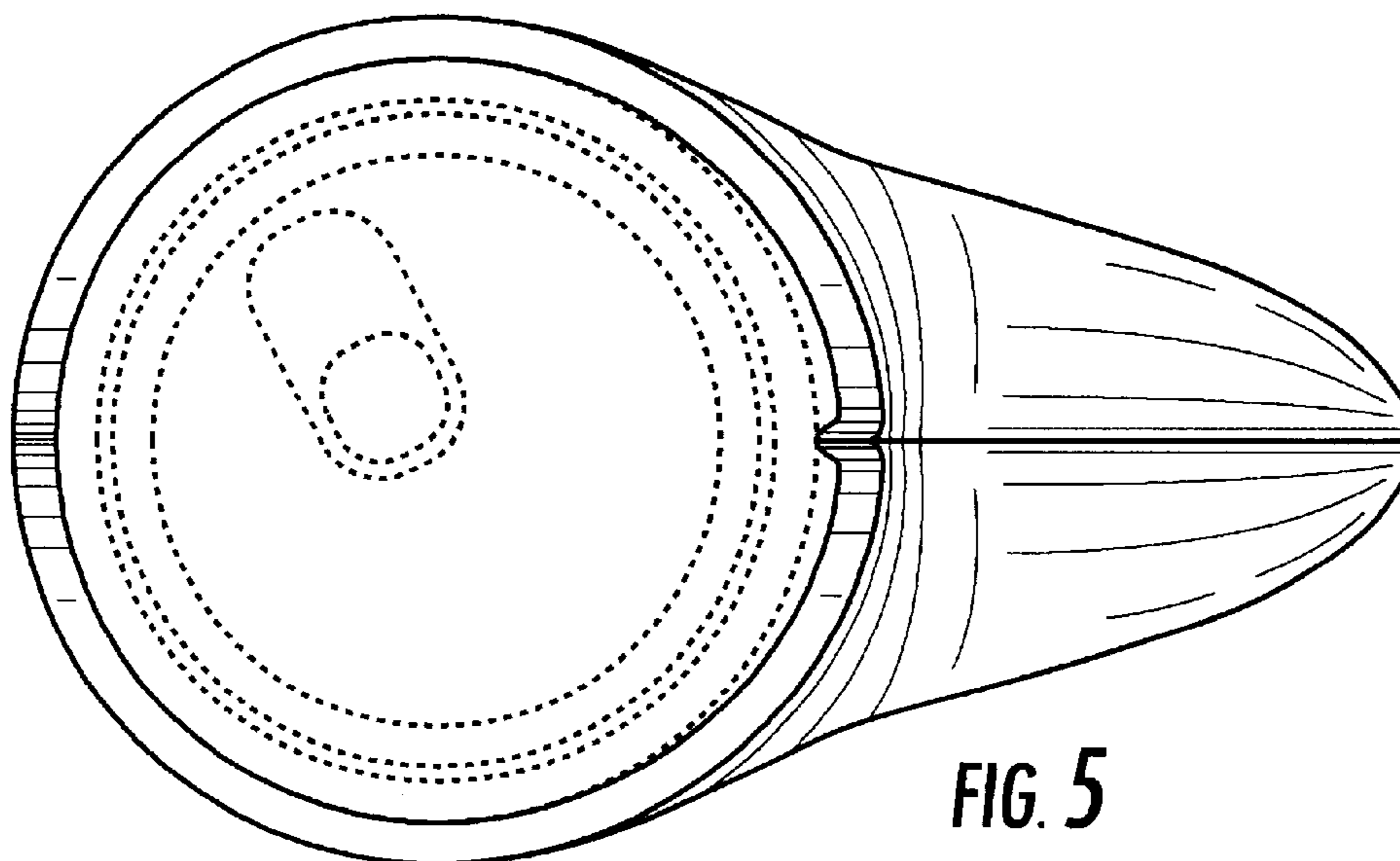


FIG. 5

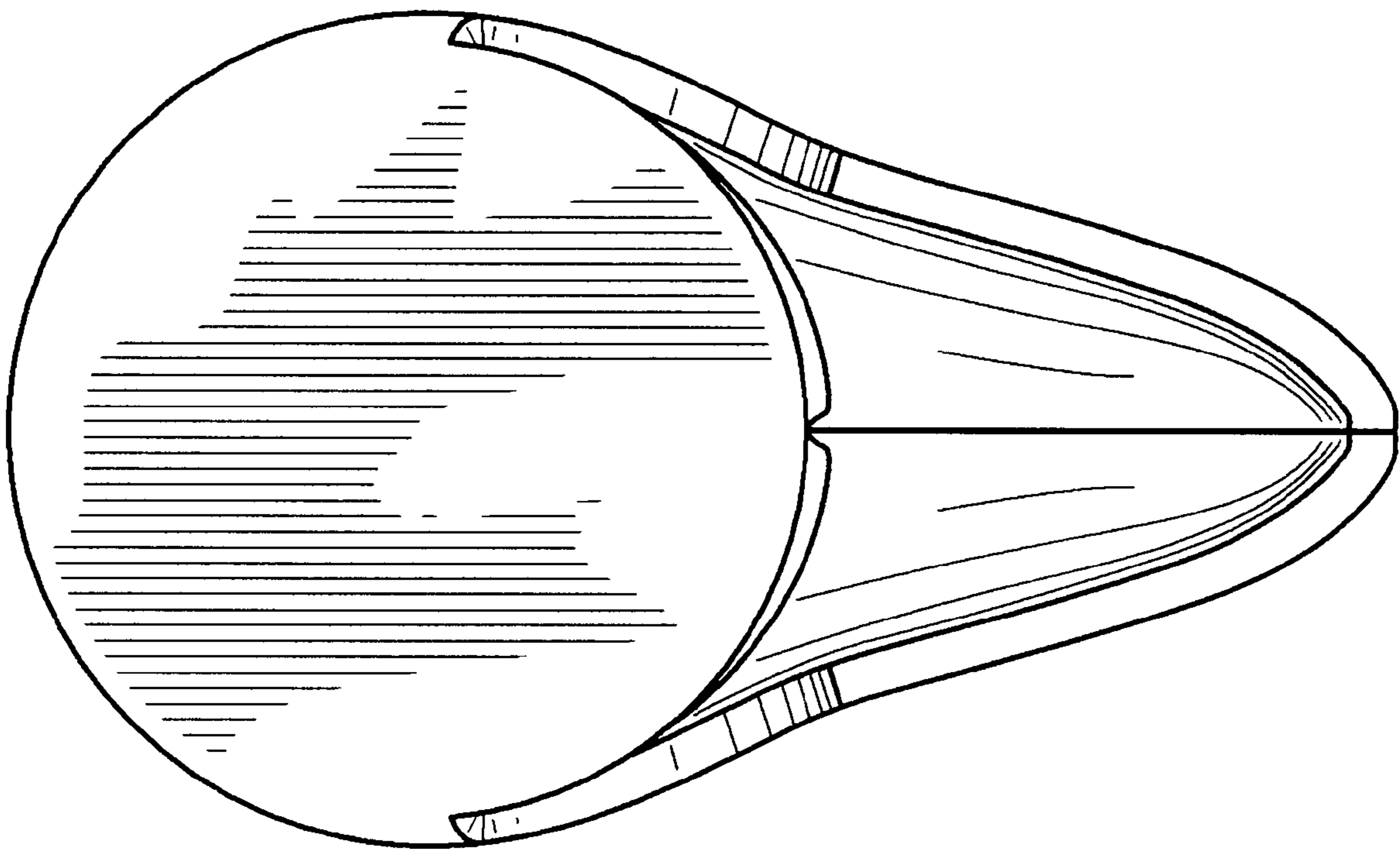


FIG. 6

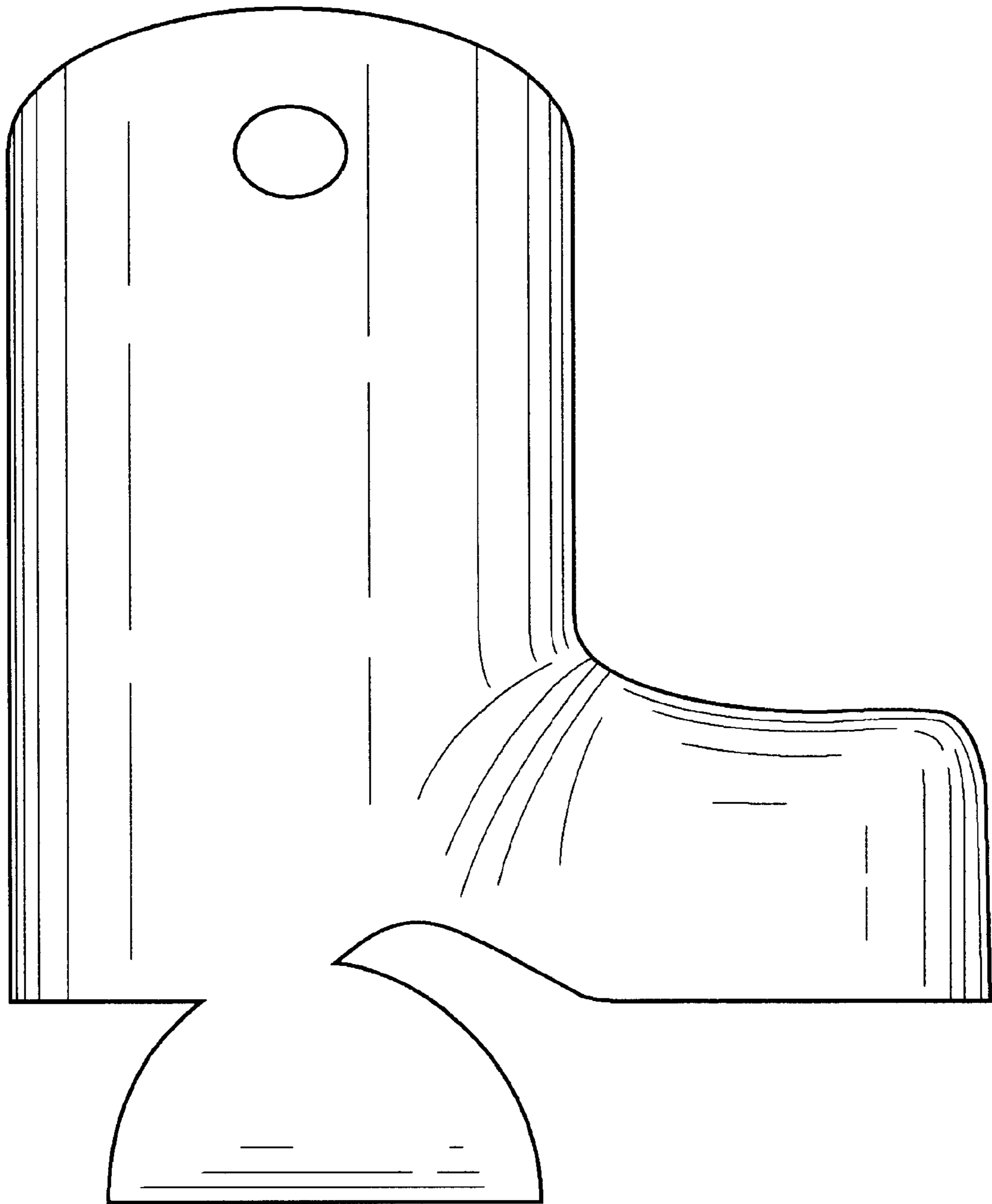


FIG. 7