



US00D523702S

(12) **United States Design Patent**
Krieger et al.

(10) **Patent No.:** **US D523,702 S**
(45) **Date of Patent:** **** Jun. 27, 2006**

(54) **TRAVEL COOLER AND WARMER TOP**

D480,275 S * 10/2003 Yuen D7/605

(75) Inventors: **Michael Krieger**, Miami Beach, FL
(US); **Kevin Ellsworth**, Hollywood, FL
(US)

(73) Assignee: **Vector Products, Inc.**, Ft. Lauderdale,
FL (US)

(**) Term: **14 Years**

(21) Appl. No.: **29/228,572**

(22) Filed: **Apr. 26, 2005**

(51) **LOC (8) Cl.** **07-01**

(52) **U.S. Cl.** **D7/605**

(58) **Field of Classification Search** D7/605-608,
D7/709, 710; D15/81; 62/457.1-457.7, 371,
62/372, 3.62, 3.64; 220/592.16, 592.17, 592.2,
220/592.23-592.27, 915.1, 915.2; D12/423,
D12/424

See application file for complete search history.

(56) **References Cited**

U.S. PATENT DOCUMENTS

4,274,262	A	*	6/1981	Reed et al.	62/3.64
D400,053	S	*	10/1998	Coffee et al.	D7/605
D417,126	S	*	11/1999	Arnfelt	D7/605
D459,636	S	*	7/2002	Krieger et al.	D7/605
D462,878	S	*	9/2002	Krieger	D7/605
D463,717	S	*	10/2002	Krieger	D7/605
D467,468	S	*	12/2002	Krieger et al.	D7/605
D480,274	S	*	10/2003	Yuen	D7/605

OTHER PUBLICATIONS

U.S. Appl. No. 29/228,569 filed Apr. 26, 2005.

U.S. Appl. No. 29/228,571 filed Apr. 26, 2005.

U.S. Appl. No. 29/228,752 filed Apr. 28, 2005.

U.S. Appl. No. 29/228,757 filed Apr. 28, 2005.

* cited by examiner

Primary Examiner—Terry A. Wallace

(74) *Attorney, Agent, or Firm*—Venable LLP; Robert Kinberg; Manni Li

(57) **CLAIM**

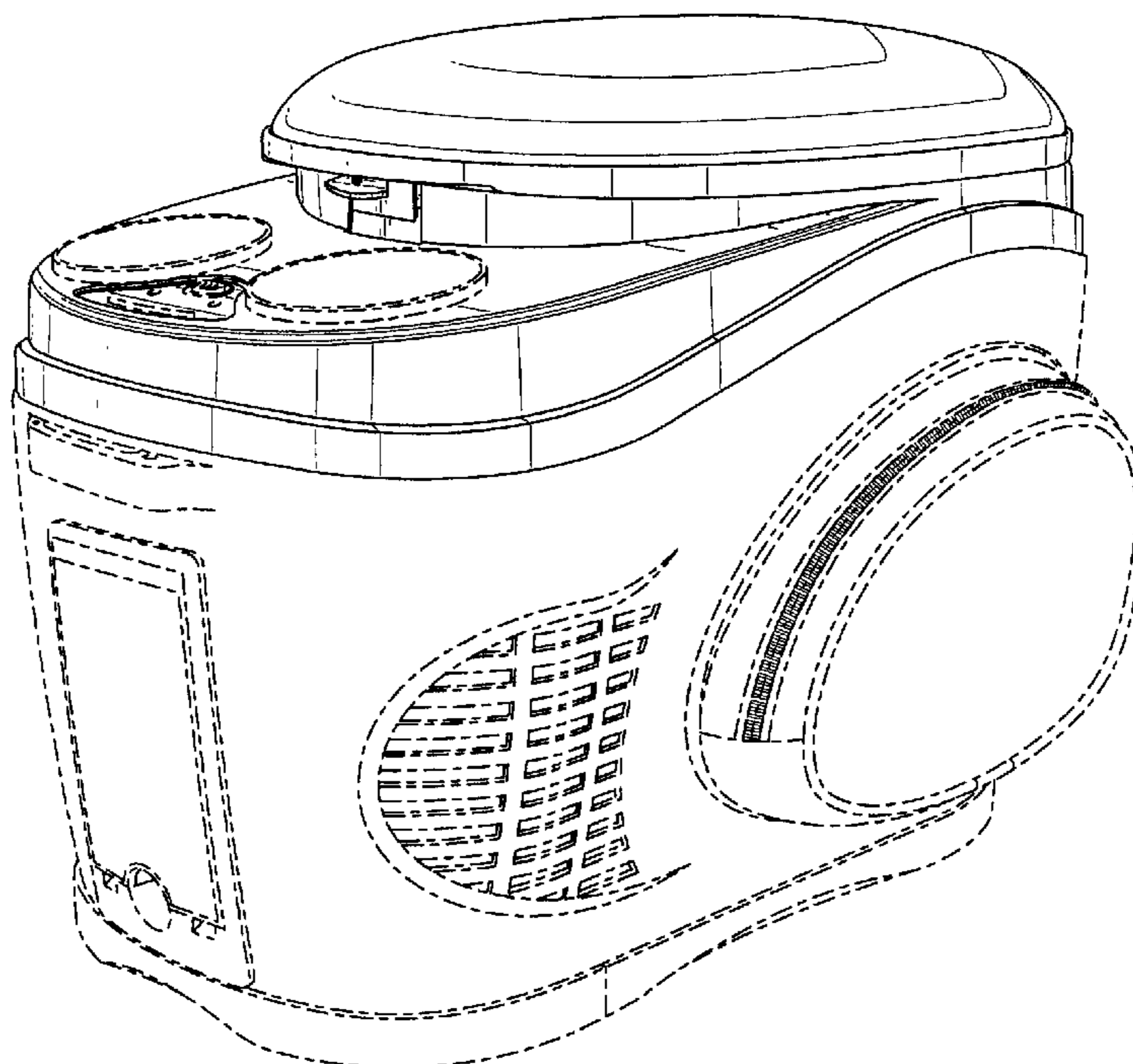
The ornamental design for a travel cooler and warmer top, as shown and described.

DESCRIPTION

FIG. 1 is a perspective view from the front-top-right side of the travel cooler and warmer top showing our new design; FIG. 2 is a front view of the design shown in FIG. 1; FIG. 3 is a rear view of the design shown in FIG. 1; FIG. 4 is a left side view of the design shown in FIG. 1; FIG. 5 is a right side view of the design shown in FIG. 1; FIG. 6 is a top view of the design shown in FIG. 1; and, FIG. 7 is a bottom view of the design shown in FIG. 1.

The broken lines immediately adjacent the shaded areas represent the bounds of the claimed design while all other broken lines are for illustrative purposes only; the broken lines form no part of the claimed design.

1 Claim, 7 Drawing Sheets



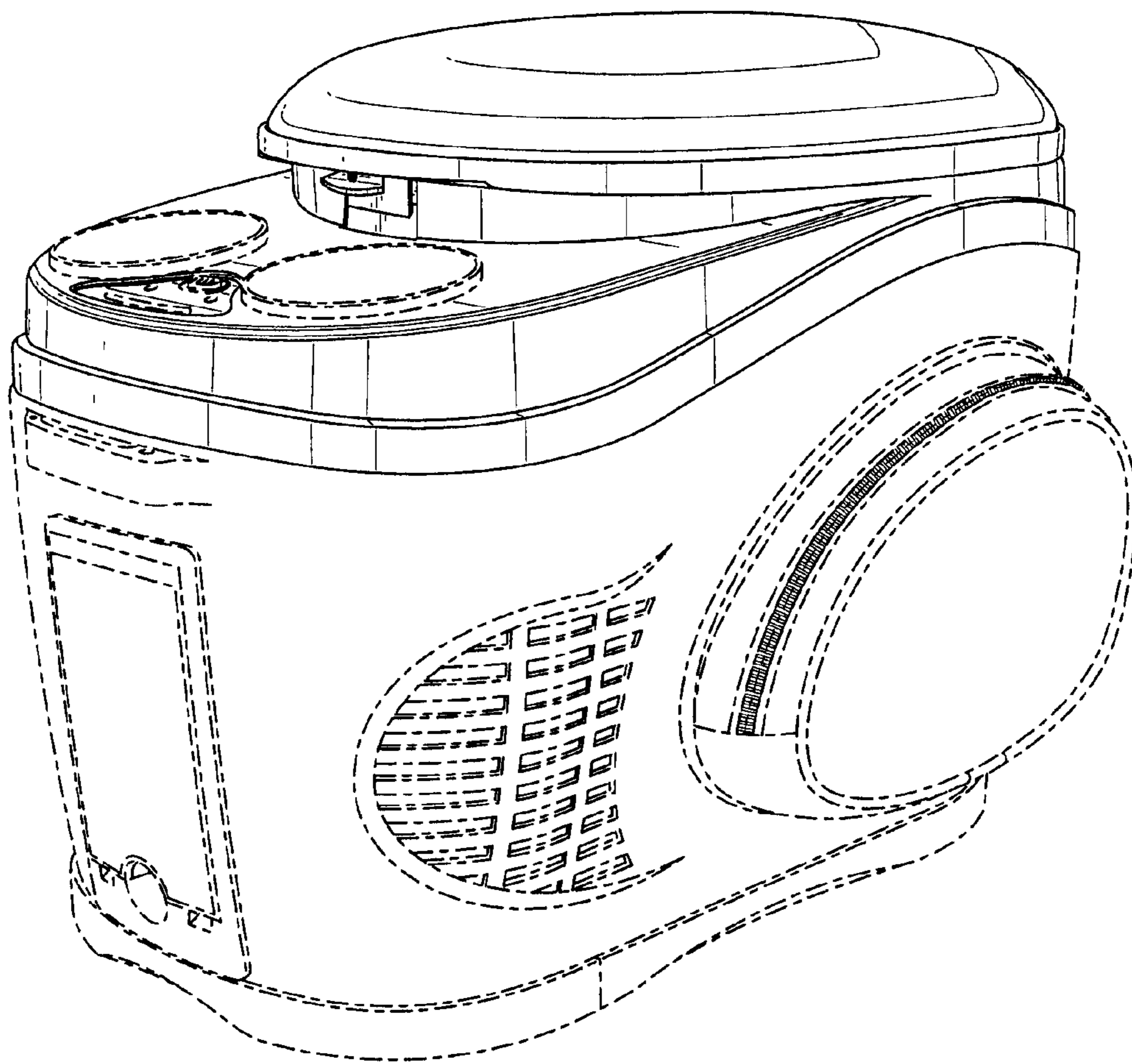


FIG. 1

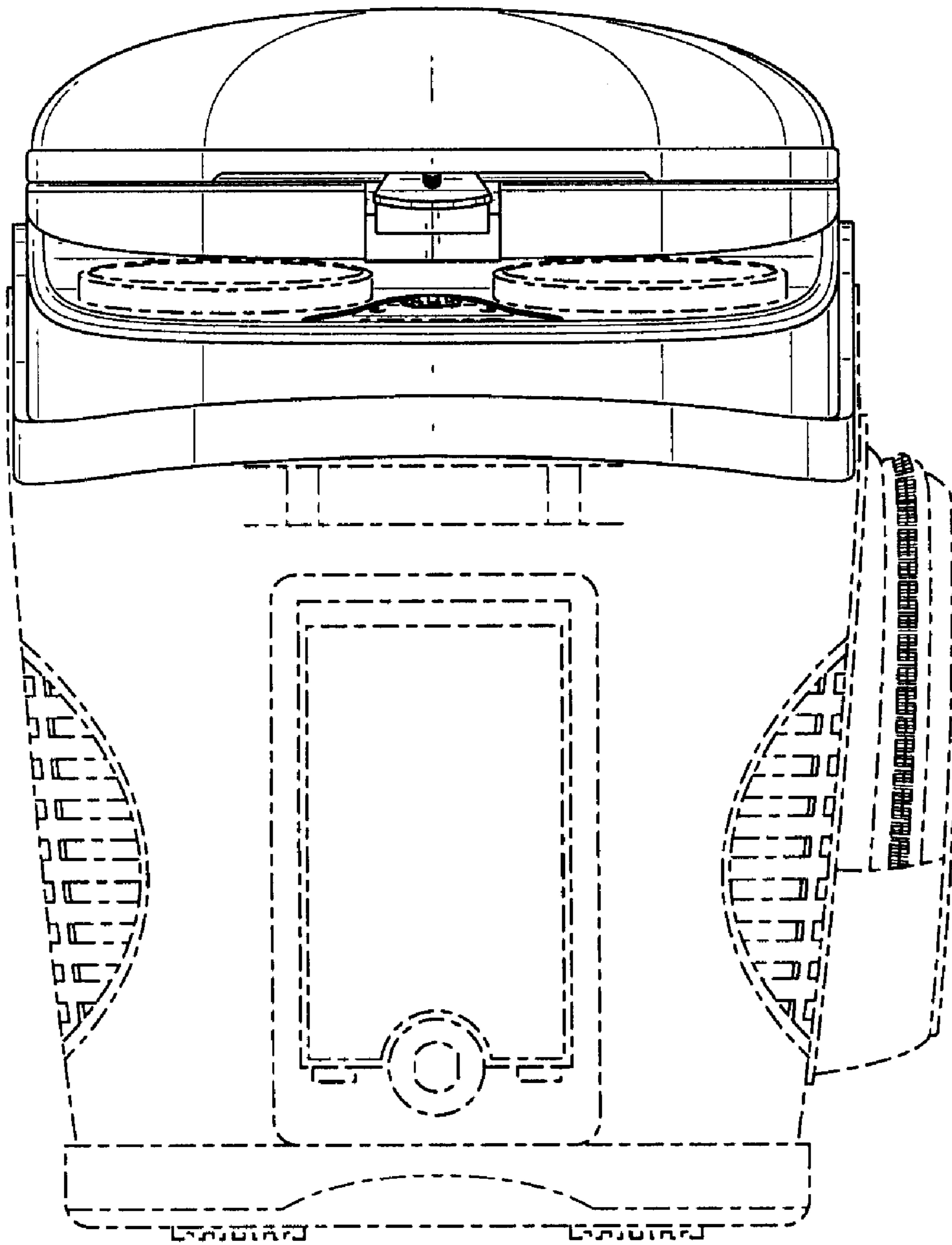


FIG. 2

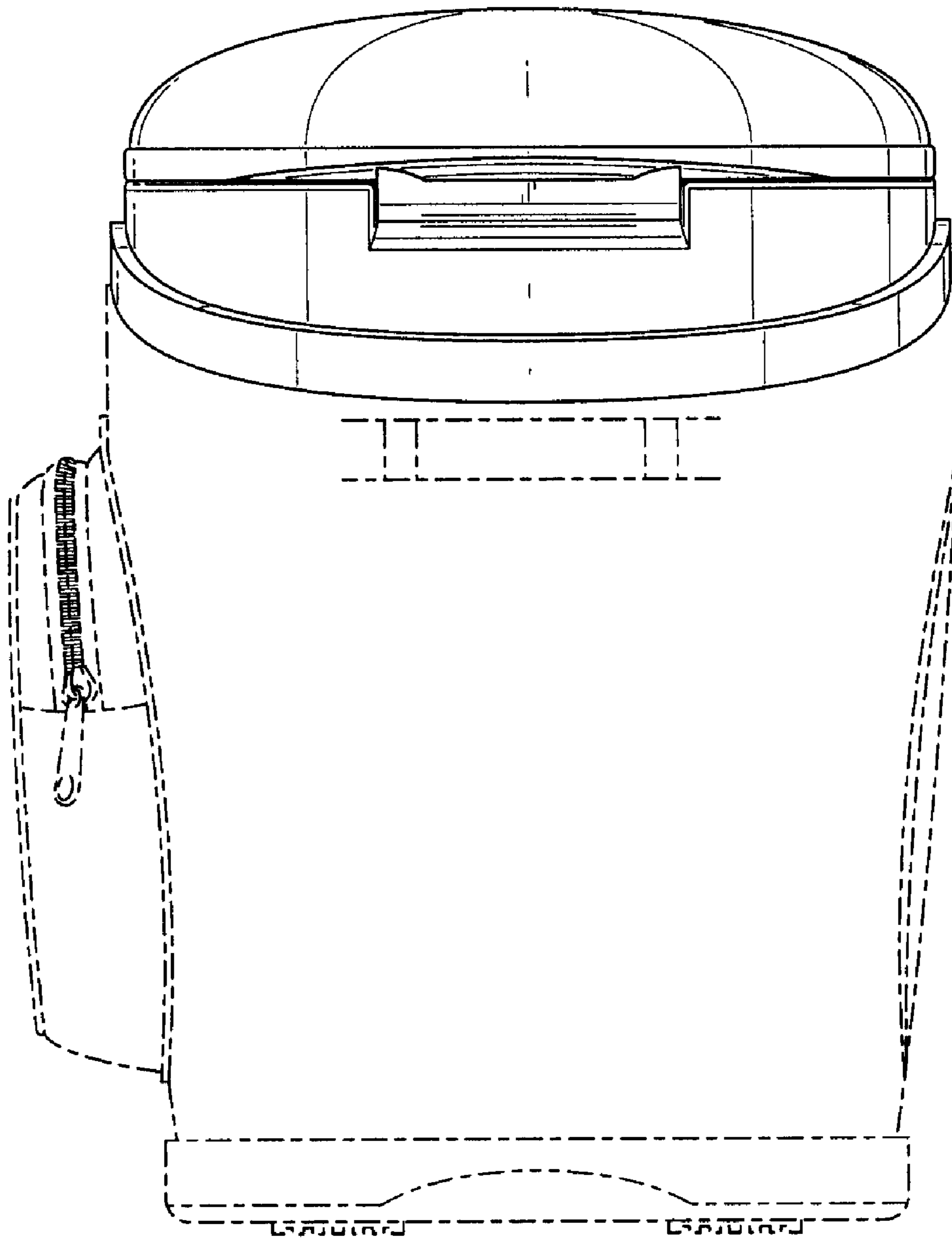


FIG. 3

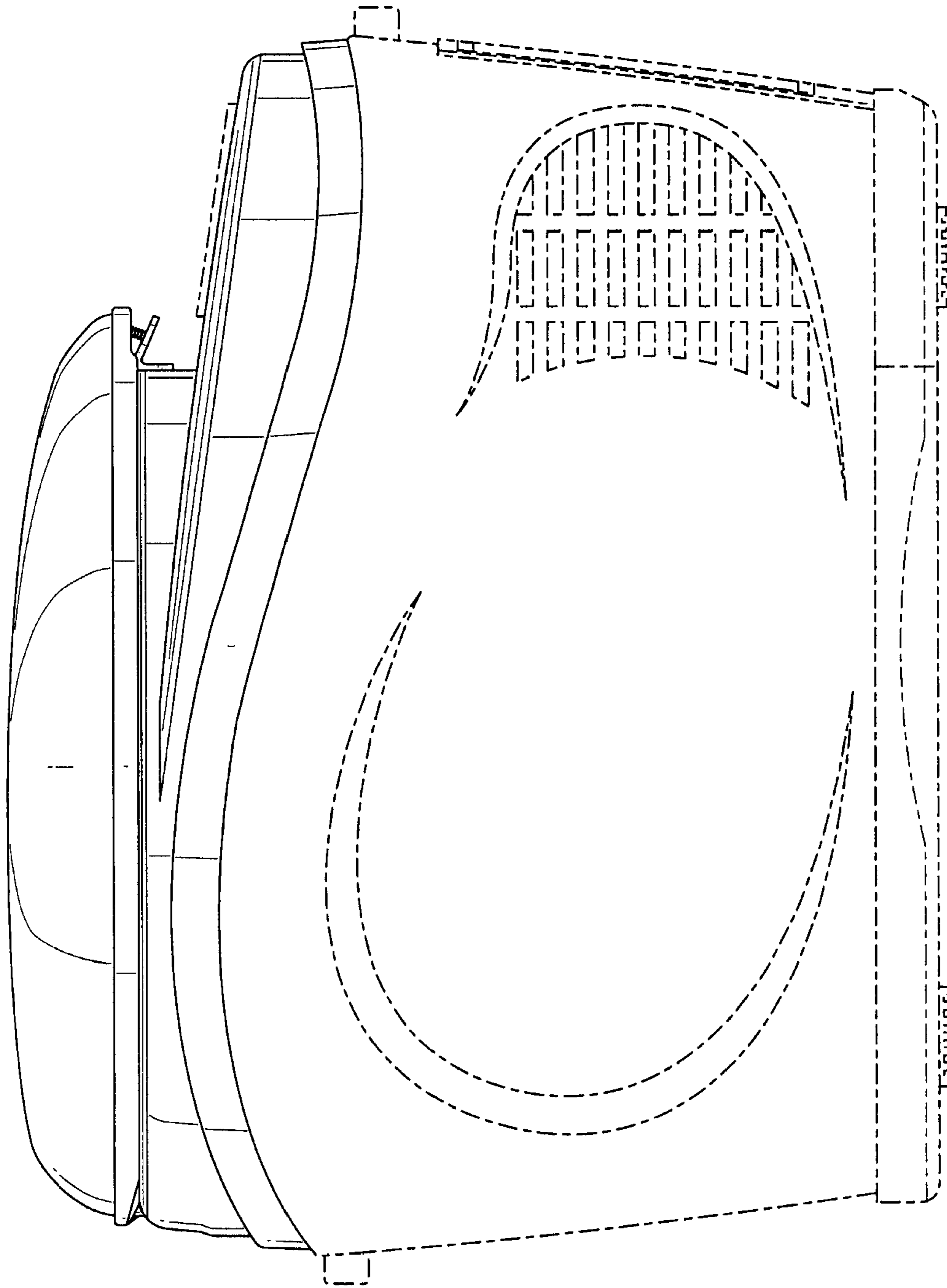


FIG. 4

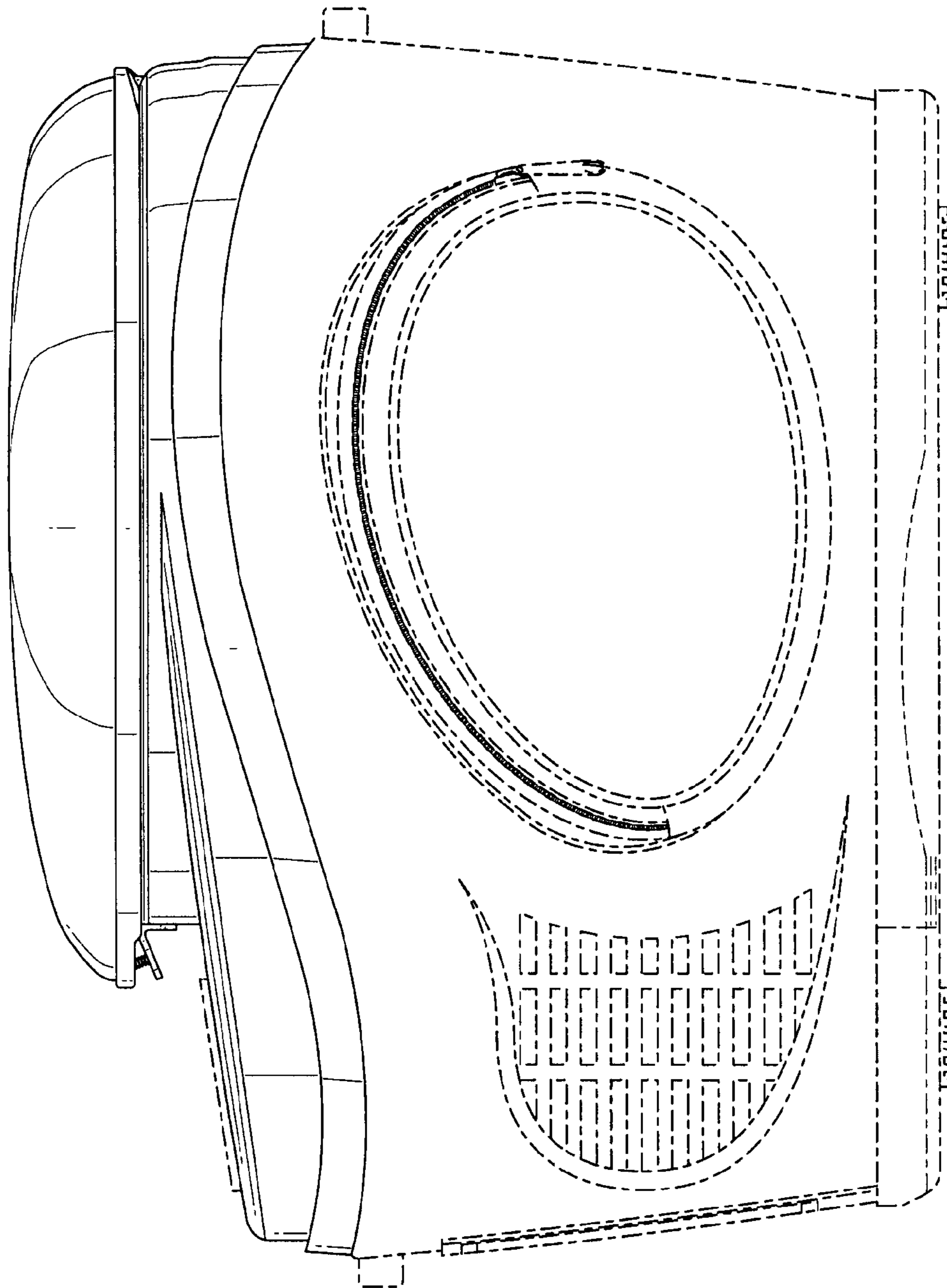


FIG. 5

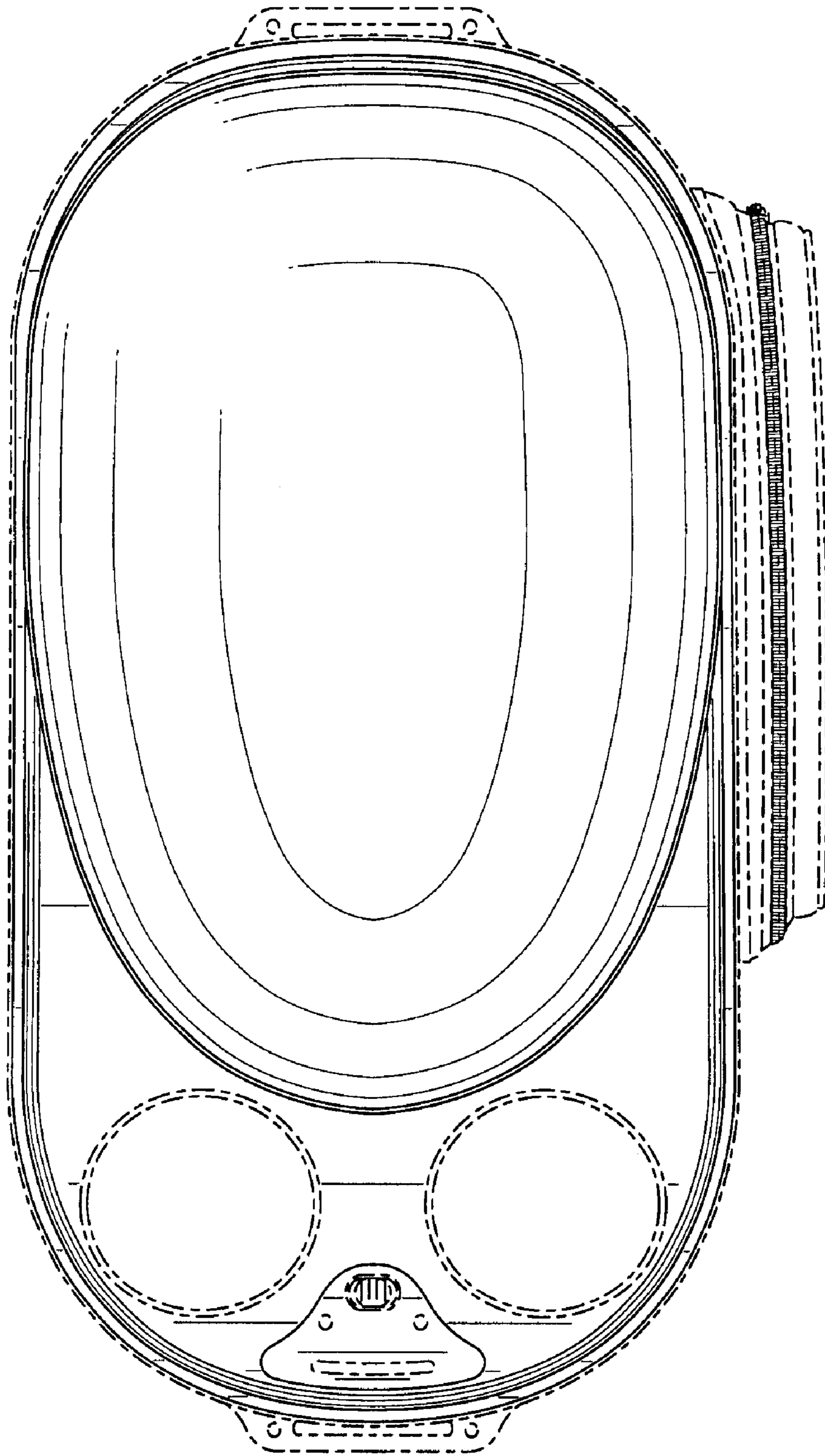


FIG. 6

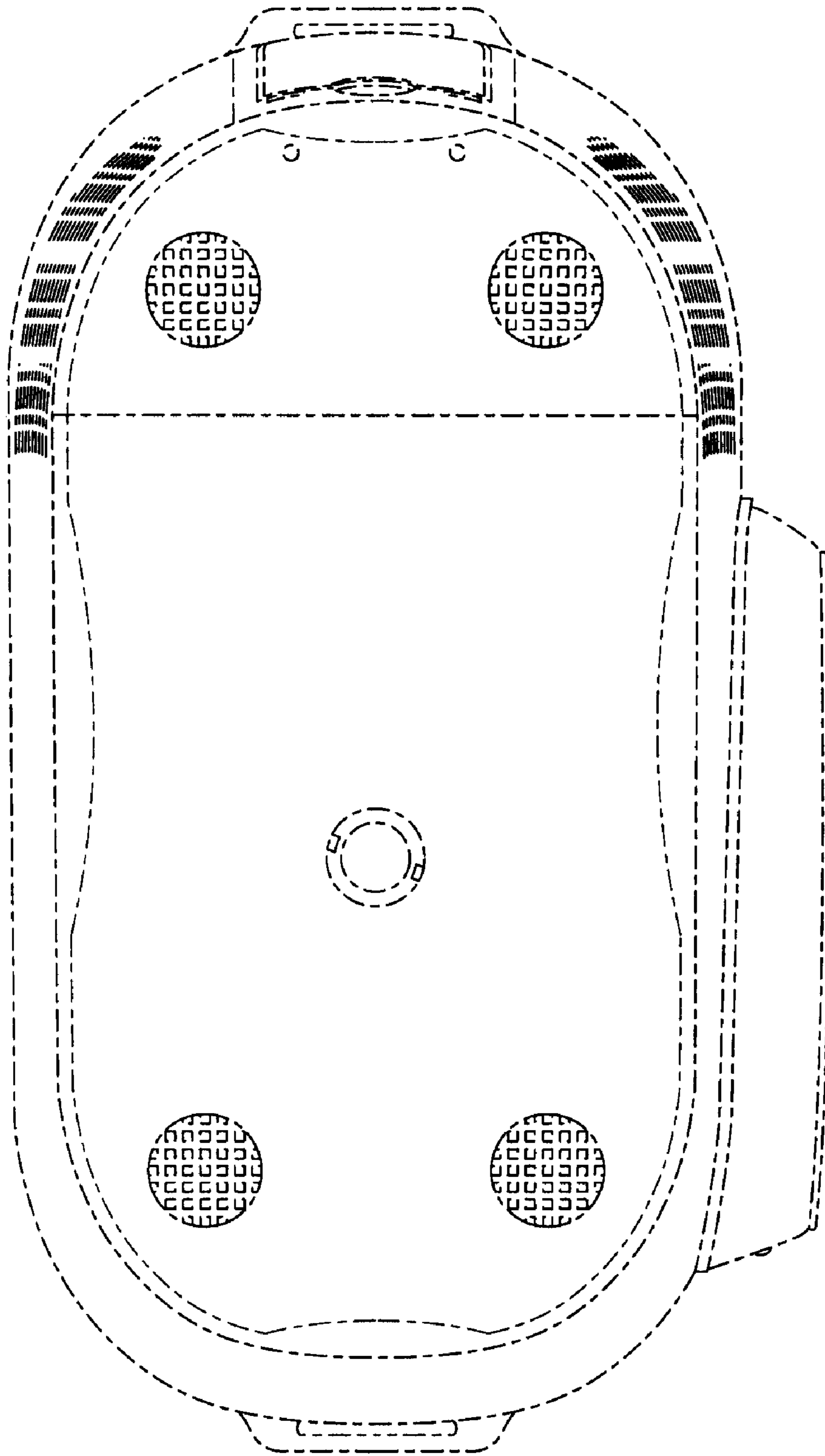


FIG. 7