



US00D523689S

(12) **United States Design Patent**
Cuillery

(10) **Patent No.:** **US D523,689 S**
(45) **Date of Patent:** **** Jun. 27, 2006**

(54) **KNOB FOR COOKING UTENSIL**
(75) Inventor: **Pascal Cuillery**, Faverges (FR)
(73) Assignee: **Tefal**, Rumilly (FR)
(**) Term: **14 Years**

D323,970 S * 2/1992 Schlack D8/306
D389,393 S * 1/1998 Hansen D8/310
D469,678 S * 2/2003 Teskey D8/301

* cited by examiner

Primary Examiner—Holly Baynham
Assistant Examiner—Cynthia M. Chin
(74) *Attorney, Agent, or Firm*—Robert F. Zielinski, Esq.;
Brian L. Belles, Esq.; Wolf, Block, Schorr and Solis-Cohen,
LLP

(21) Appl. No.: **29/239,914**
(22) Filed: **Oct. 6, 2005**

(30) **Foreign Application Priority Data**

Apr. 6, 2005 (FR) 05 1791

(51) **LOC (8) Cl.** **07-02**
(52) **U.S. Cl.** **D7/394**
(58) **Field of Classification Search** D7/393,
D7/354–361; D8/300, 301, 307, 310, 312,
D8/319, 320; 220/752; 16/110.1, 414, 417,
16/441, 443

See application file for complete search history.

(56) **References Cited**

U.S. PATENT DOCUMENTS

4,589,163 A * 5/1986 Weatherby et al. 16/443

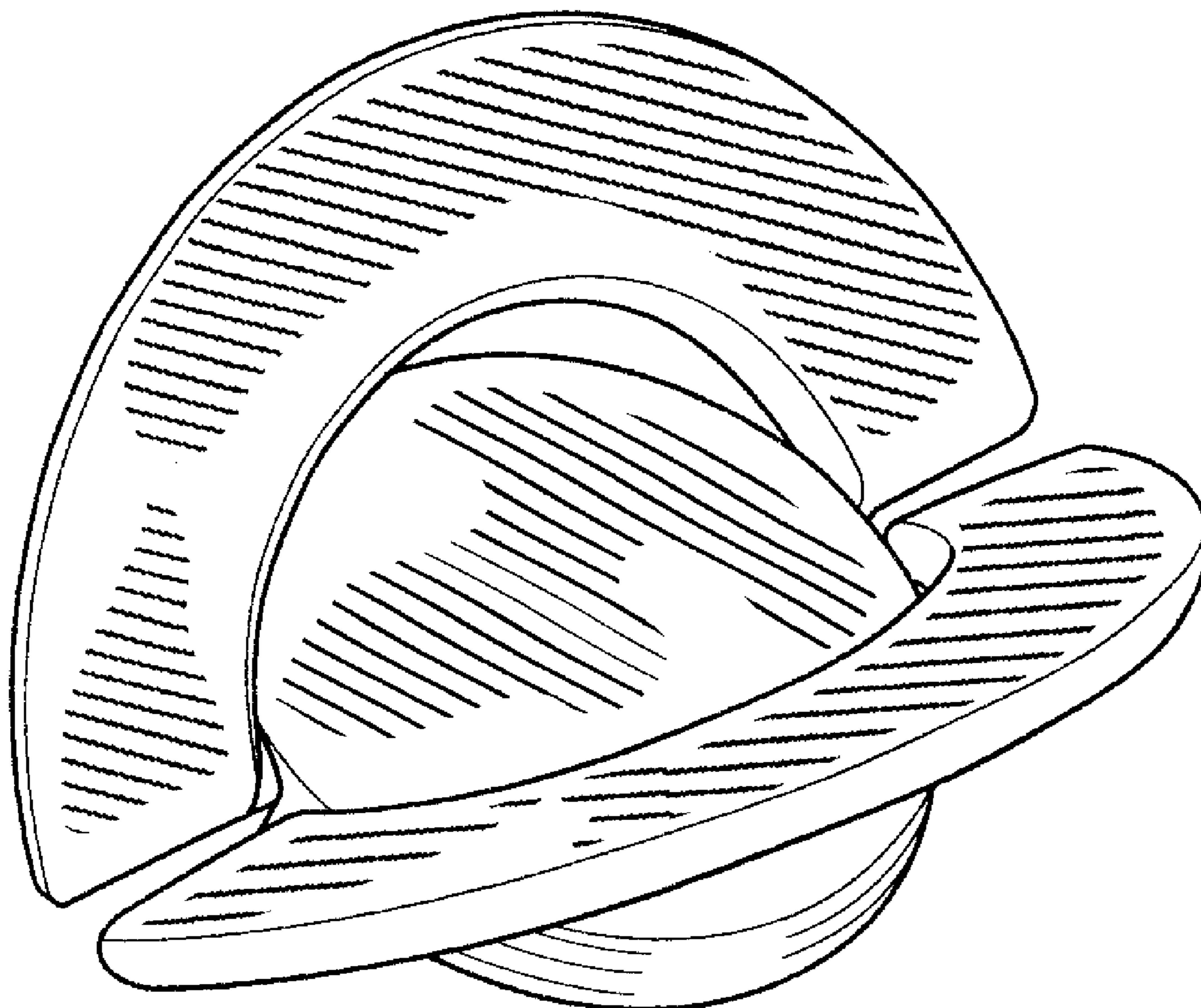
(57) **CLAIM**

The ornamental design for a knob for cooking utensil, as shown and described.

DESCRIPTION

FIG. 1 is a perspective view of the knob for cooking utensil showing my design.
FIG. 2 is a front view of the knob of FIG. 1.
FIG. 3 is a left side view of the knob of FIG. 1.
FIG. 4 is a right side view of the knob of FIG. 1.
FIG. 5 is a top view of the side knob of FIG. 1.
FIG. 6 is a bottom view of the knob of FIG. 1; and,
FIG. 7 is a rear view of the knob of FIG. 1.

1 Claim, 7 Drawing Sheets



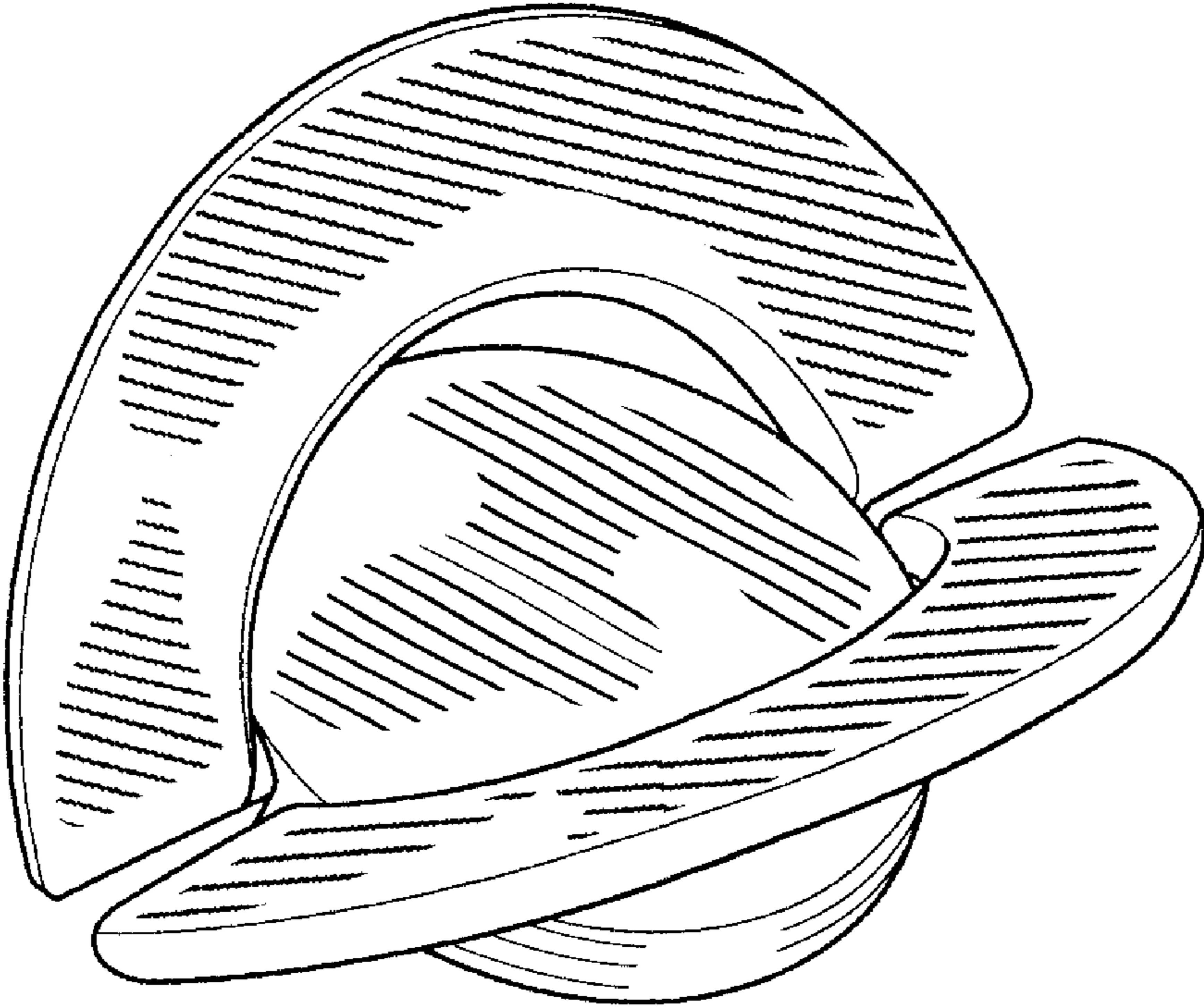


Fig. 1

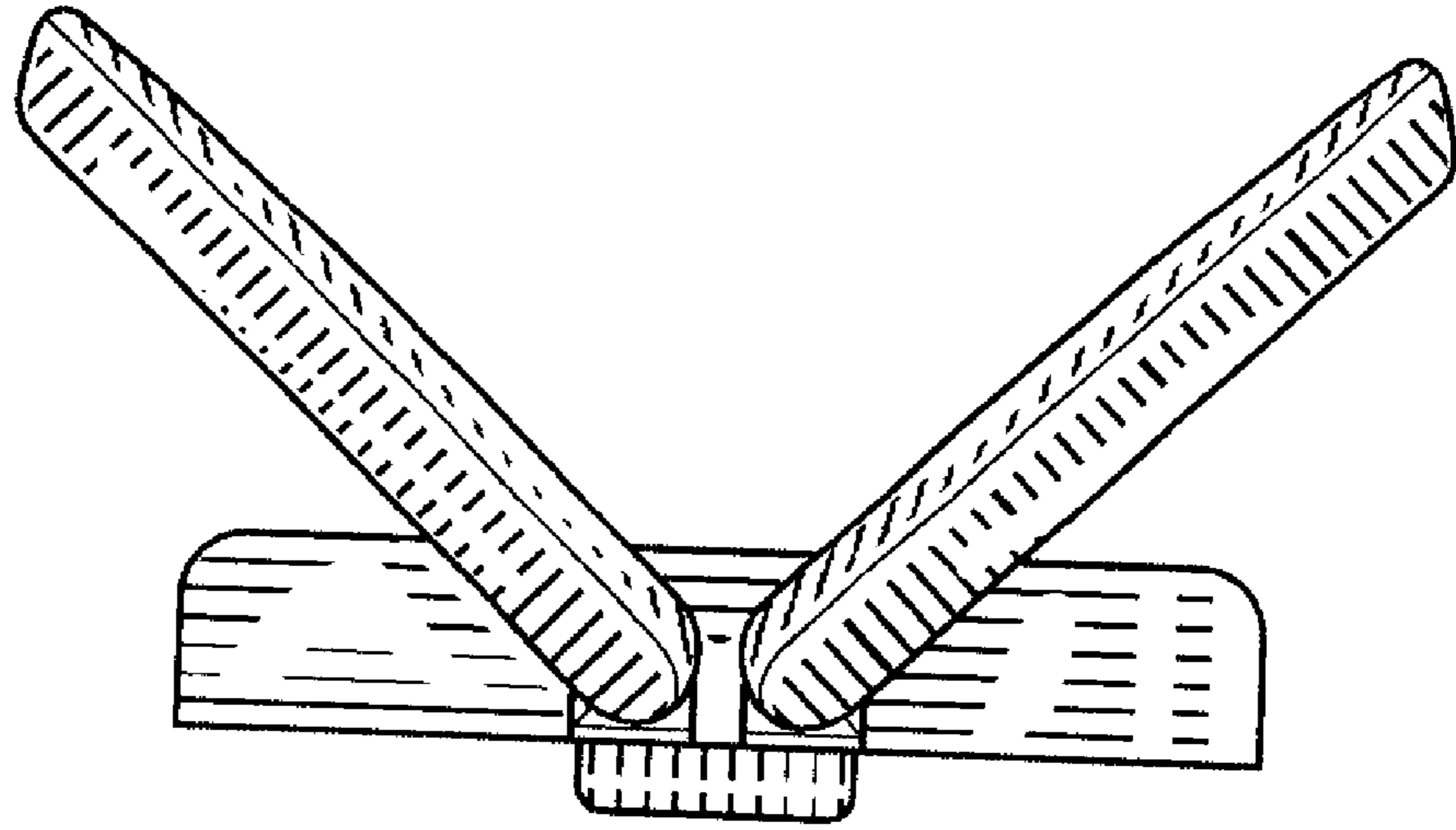


Fig. 2

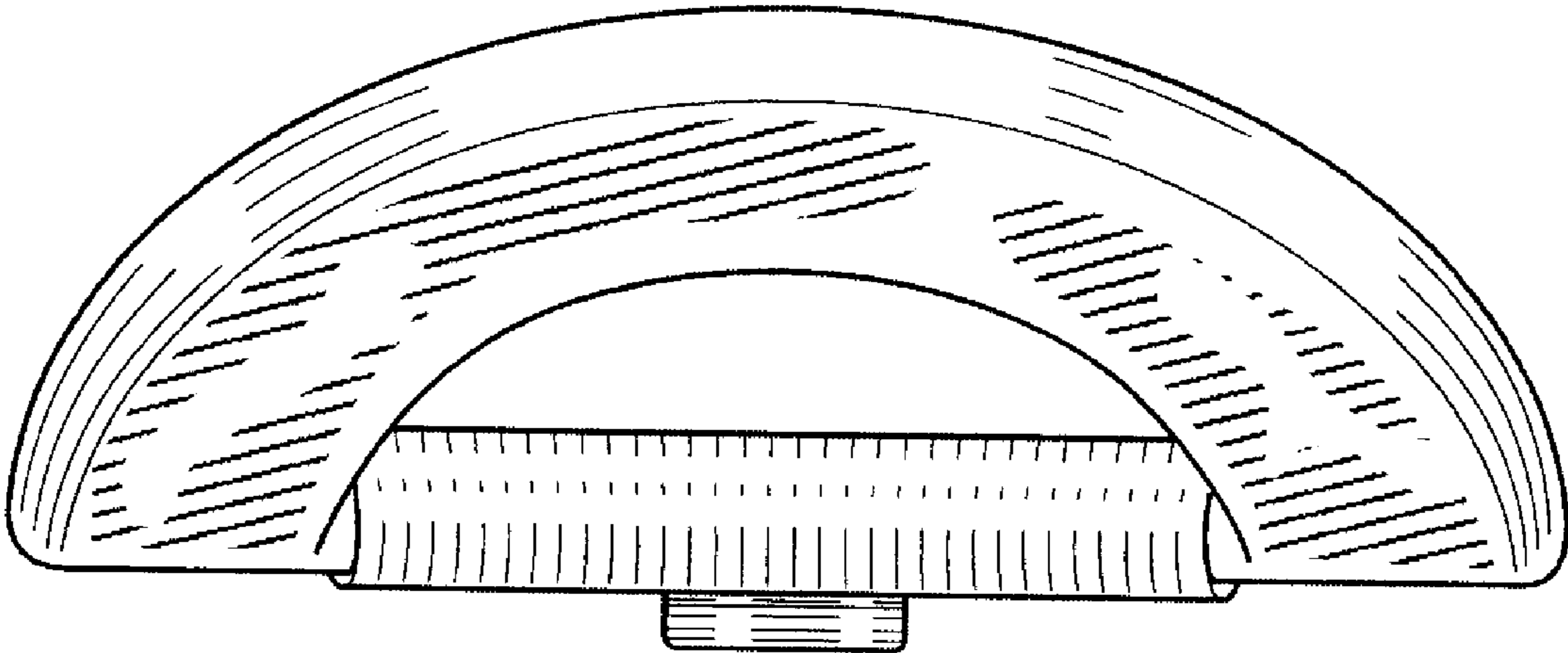


Fig. 3

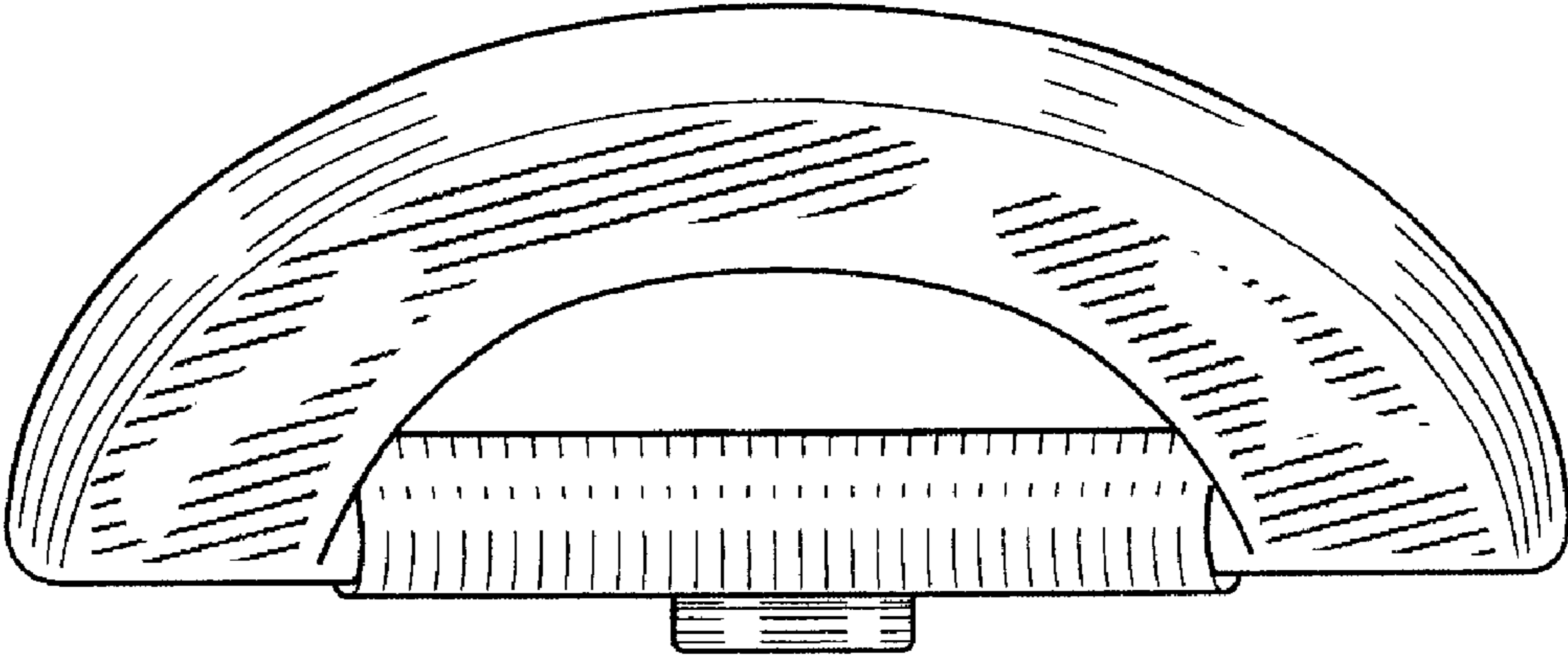


Fig. 4

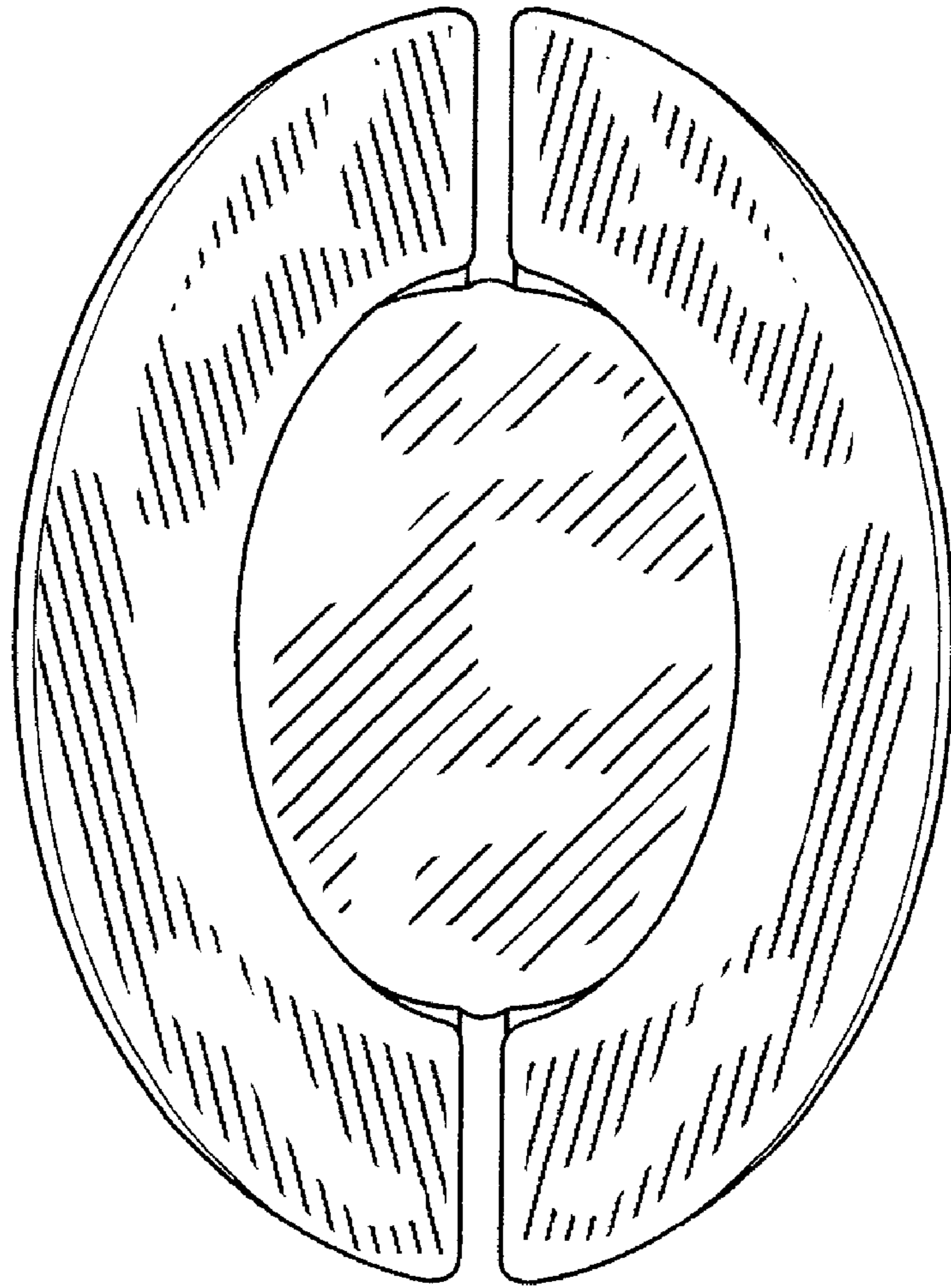


Fig. 5

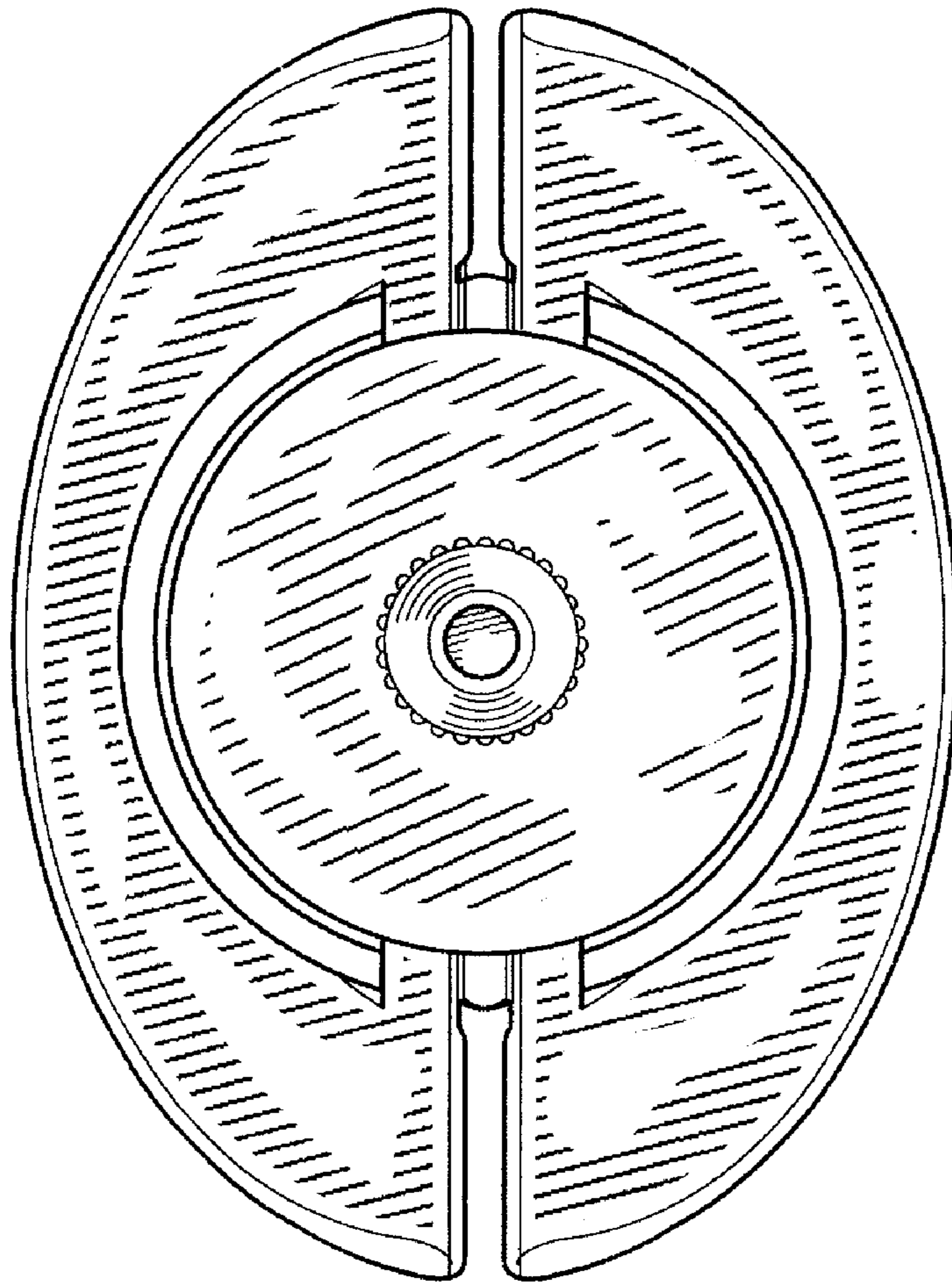


Fig. 6

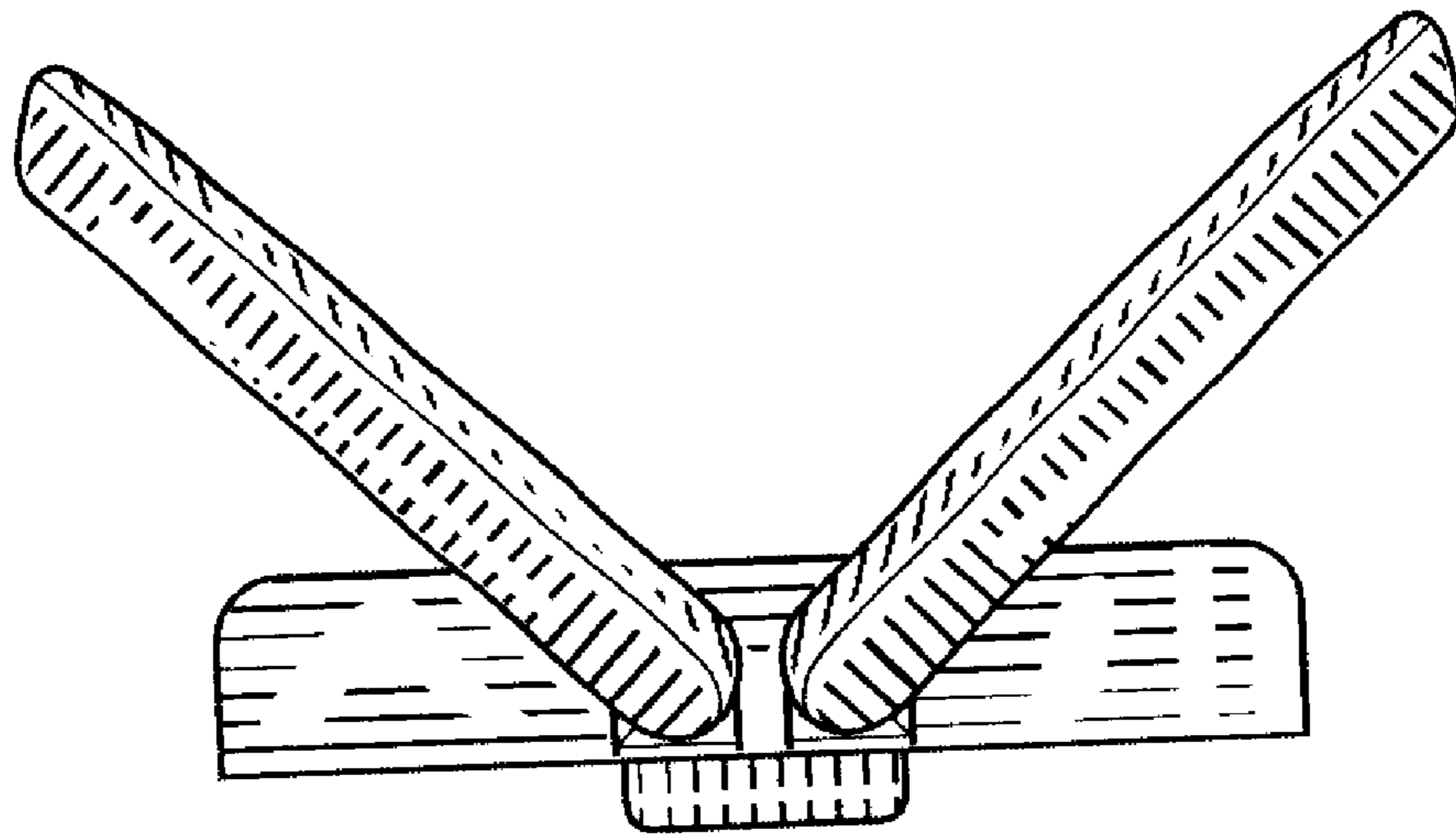


Fig. 7