



US00D523688S

(12) **United States Design Patent**  
**Karam**

(10) **Patent No.:** **US D523,688 S**  
(45) **Date of Patent:** **\*\* Jun. 27, 2006**

(54) **GRILL**

(75) Inventor: **Charbel Karam**, Kumla (SE)

(73) Assignee: **Atria Concept AB**, Skollersta (SE)

(\*\*) Term: **14 Years**

(21) Appl. No.: **29/196,774**

(22) Filed: **Jan. 5, 2004**

(30) **Foreign Application Priority Data**

Jul. 3, 2003 (EP) ..... 48095

(51) **LOC (8) Cl.** ..... **07-02**

(52) **U.S. Cl.** ..... **D7/365**

(58) **Field of Classification Search** ..... D7/332,  
D7/334-337, 402-405, 346, 362-367; 126/25 R,  
126/25 A, 25 AA, 40, 41 R, 38-39 R, 50,  
126/304 R, 305, 9 R, 19 M, 245; 108/115;  
99/450; 219/451.1, 452.11, 455.11, 385,  
219/520, 450.1; 248/129, 188.6, 250, 439  
See application file for complete search history.

(56) **References Cited**

**U.S. PATENT DOCUMENTS**

- D274,111 S \* 6/1984 Naito et al. .... D7/337
- D278,505 S \* 4/1985 Mackin ..... D7/337
- D326,030 S \* 5/1992 Silver ..... D7/362
- D351,083 S \* 10/1994 O'Brien et al ..... D7/363
- 5,368,009 A \* 11/1994 Jones ..... 126/41 R
- D484,737 S \* 1/2004 Bodum ..... D7/337
- 6,763,824 B1 \* 7/2004 Hsu ..... 126/41 R

2004/0154605 A1 \* 8/2004 Han et al. .... 126/25 R

\* cited by examiner

*Primary Examiner*—Ruth McInroy

(74) *Attorney, Agent, or Firm*—Knobbe, Martens, Olson & Bear LLP

(57) **CLAIM**

The ornamental design for a grill, as shown and described.

**DESCRIPTION**

FIG. 1 is a front perspective view of a first embodiment of the grill of the present design;

FIG. 2 is a top plan view of the grill of FIG. 1;

FIG. 3 is a bottom plan view of the grill of FIG. 1;

FIG. 4 is a front elevational view of the grill of FIG. 1;

FIG. 5 is a rear elevational view of the grill of FIG. 1;

FIG. 6 is a left side elevational view of the grill of FIG. 1;

FIG. 7 is a right side elevational view of the grill of FIG. 1;

FIG. 8 is a front perspective view of a second embodiment of the grill of the present design;

FIG. 9 is a top plan view of the grill of FIG. 8;

FIG. 10 is a bottom plan view of the grill of FIG. 8;

FIG. 11 is a front elevational view of the grill of FIG. 8;

FIG. 12 is a rear elevational view of the grill of FIG. 8;

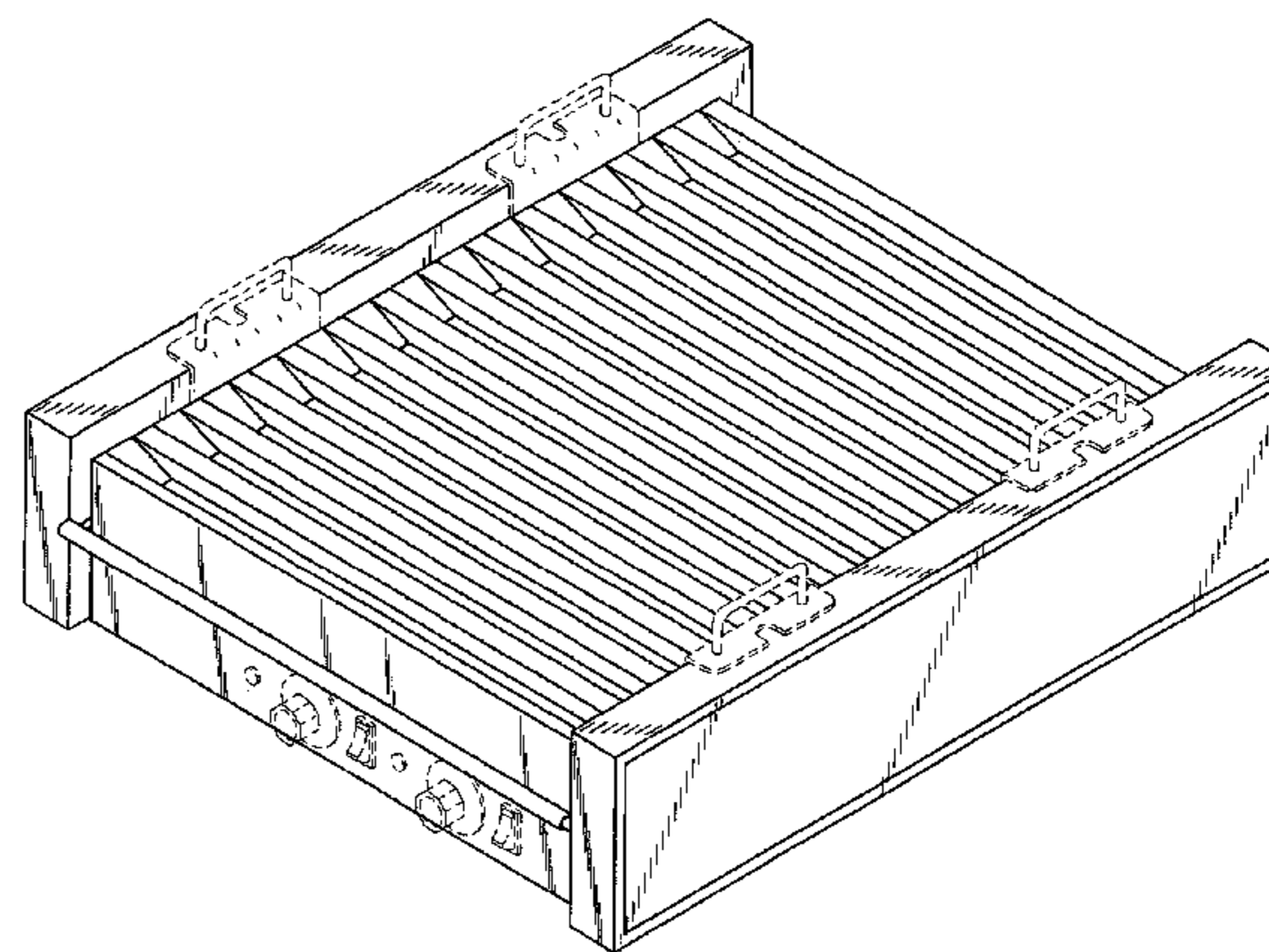
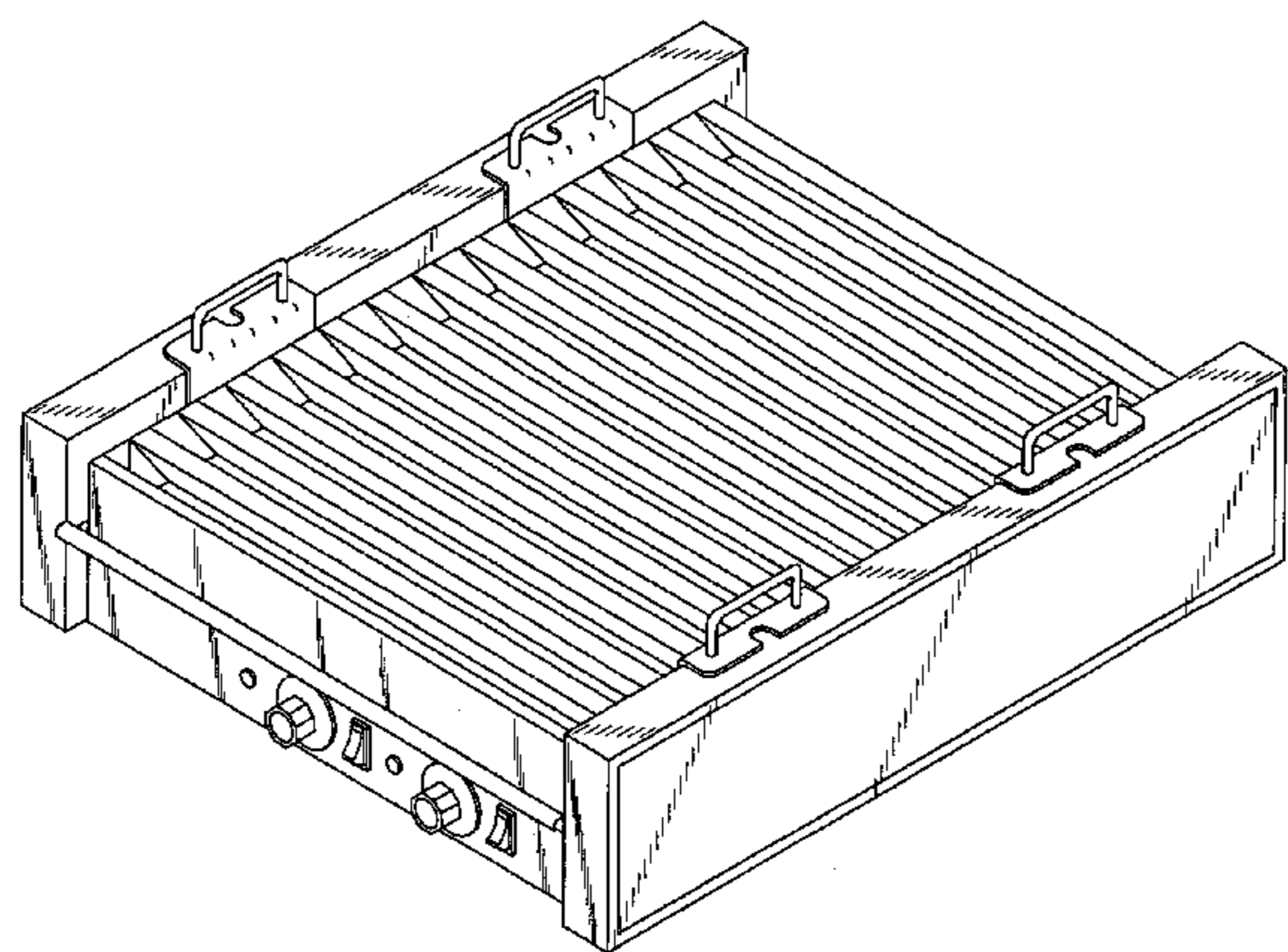
FIG. 13 is a left side elevational view of the grill of FIG. 8;

and,

FIG. 14 is a right side elevational view of the grill of FIG. 8.

The details shown in broken lines are for illustrative purposes only and form no part of the claimed design.

**1 Claim, 10 Drawing Sheets**



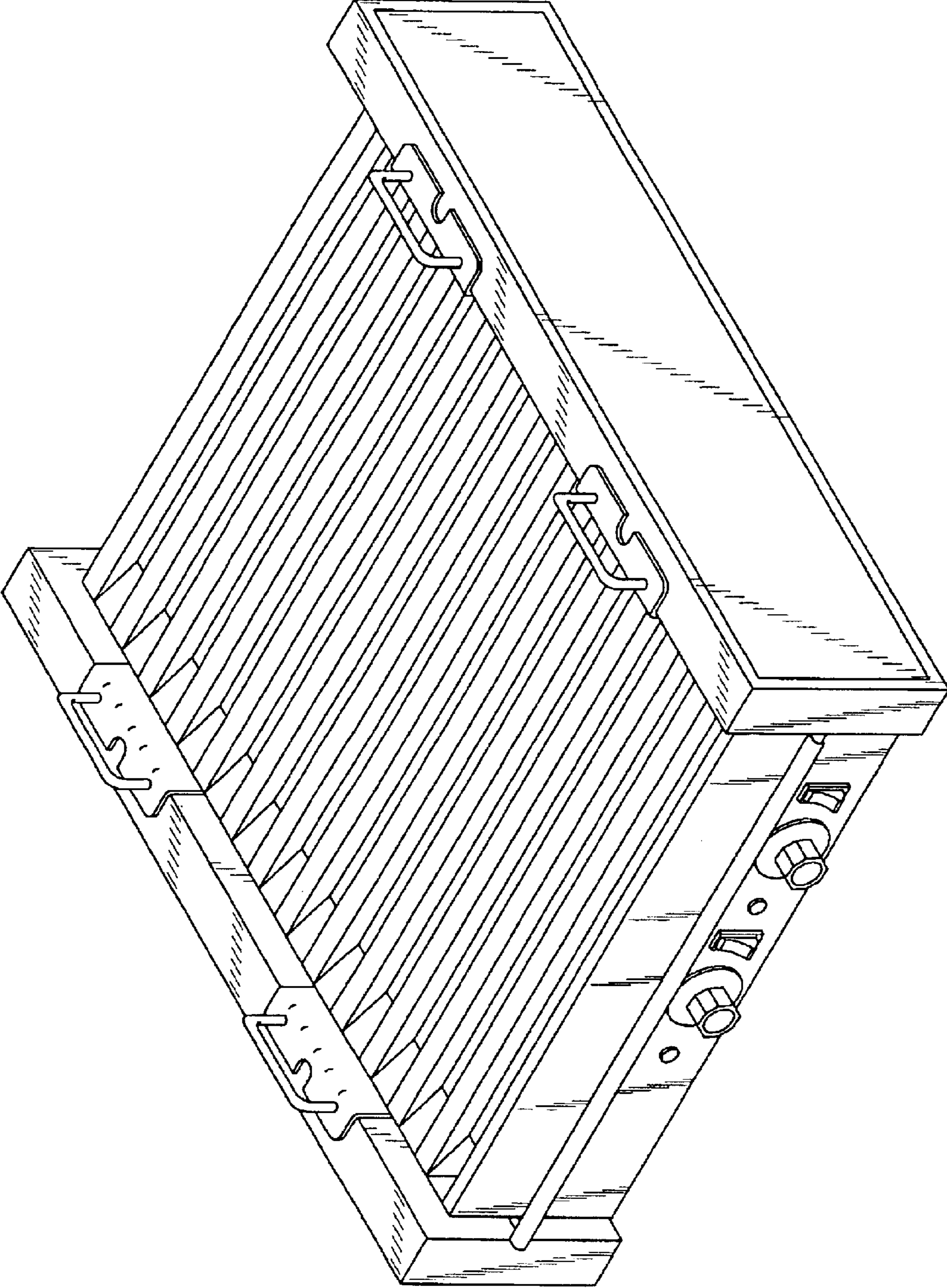


FIG. 1

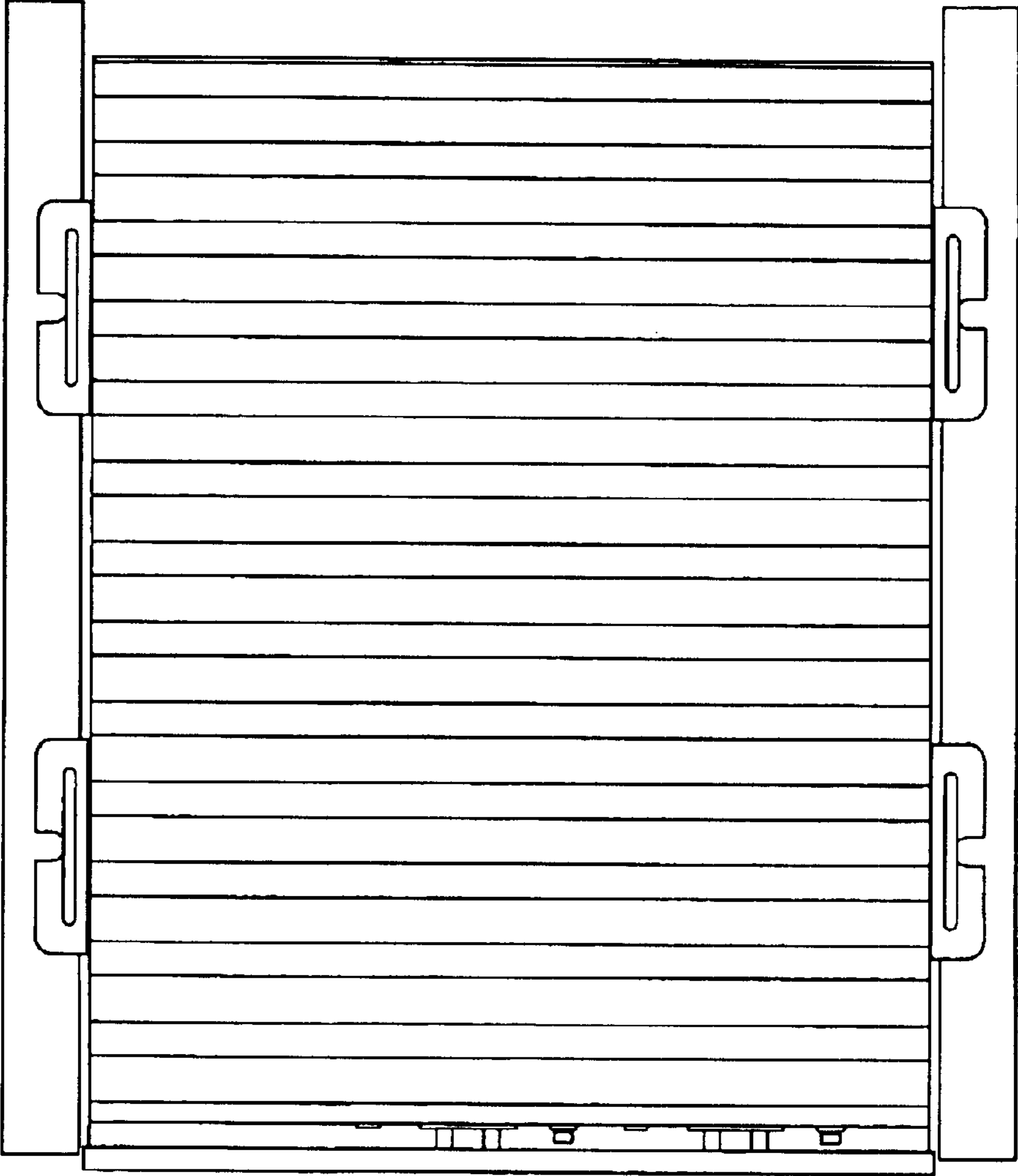


FIG. 2

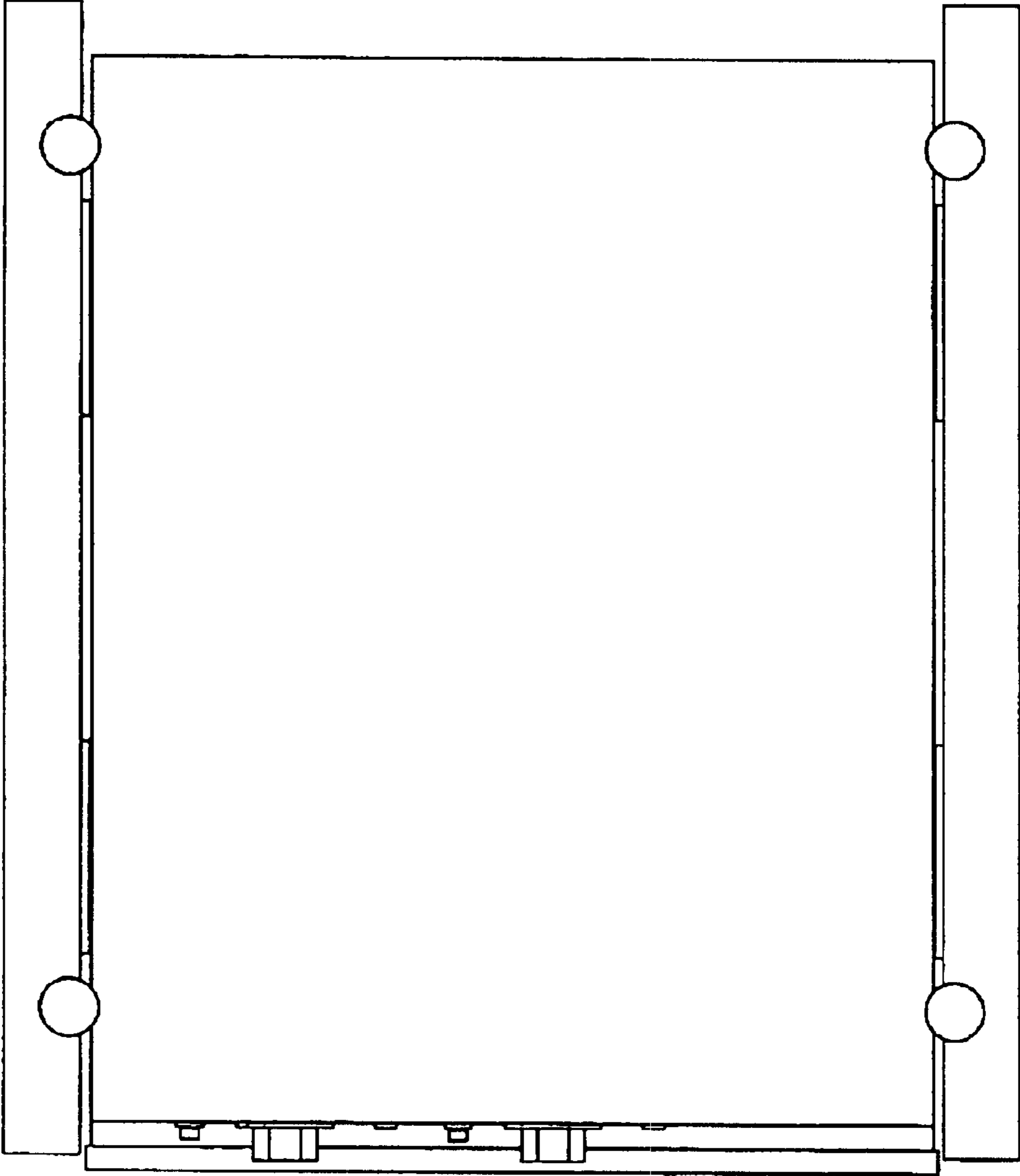


FIG. 3

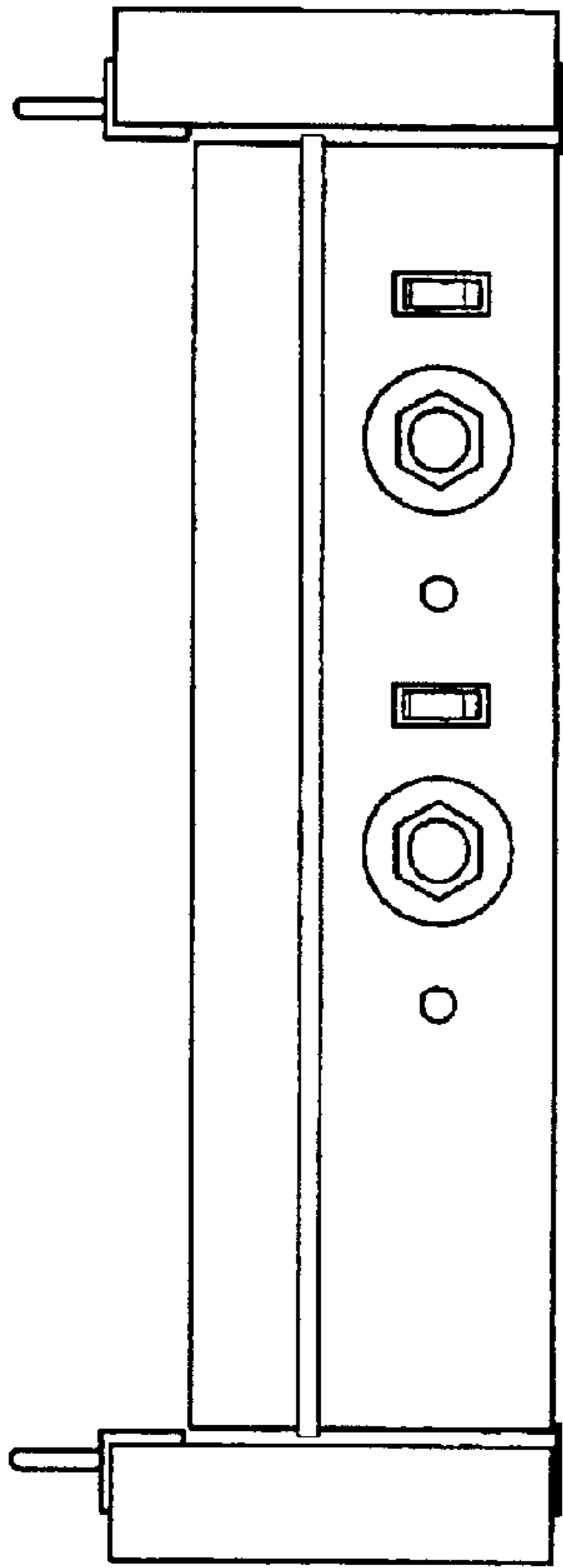


FIG. 4

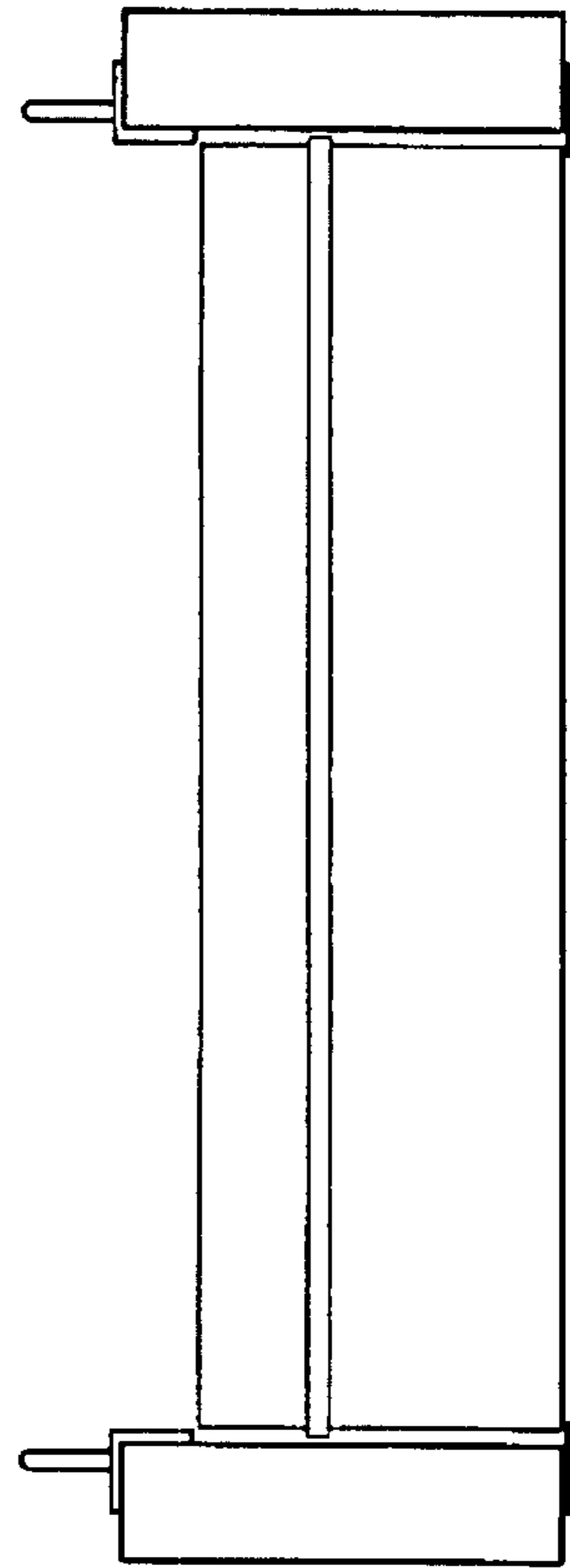


FIG. 5

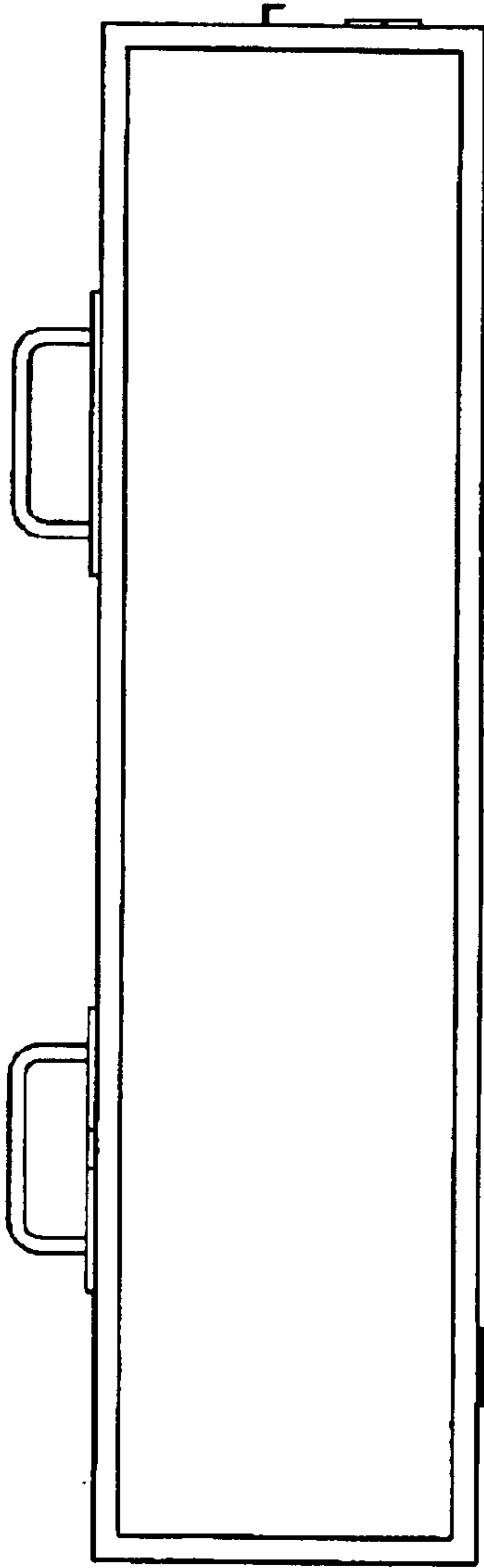


FIG. 6

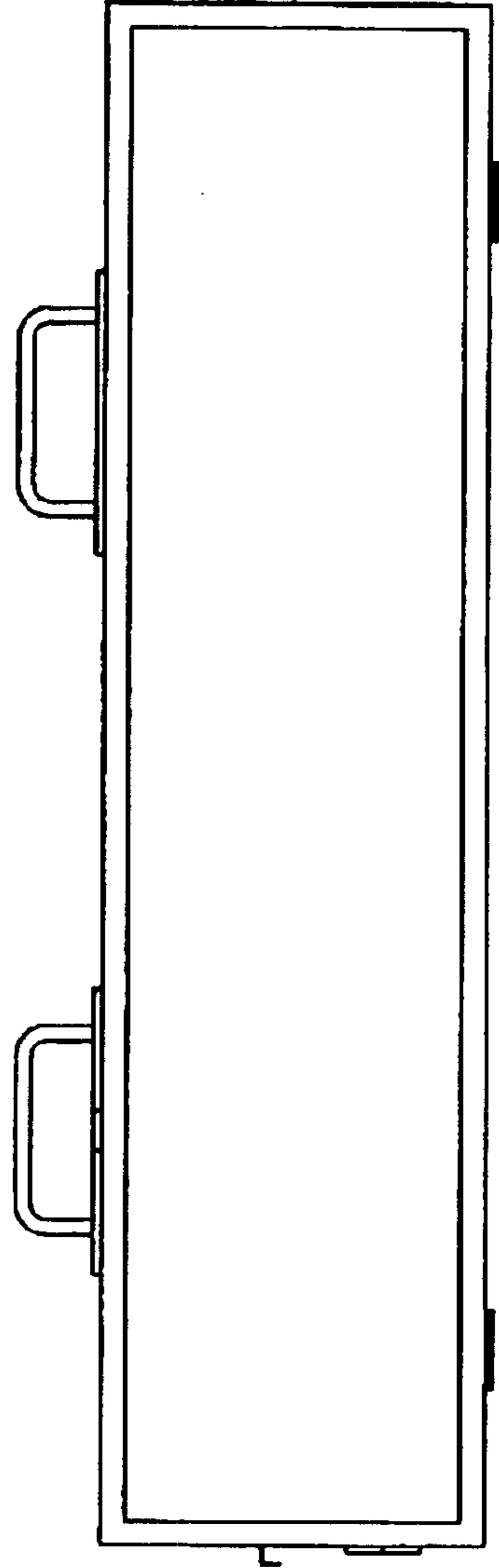


FIG. 7

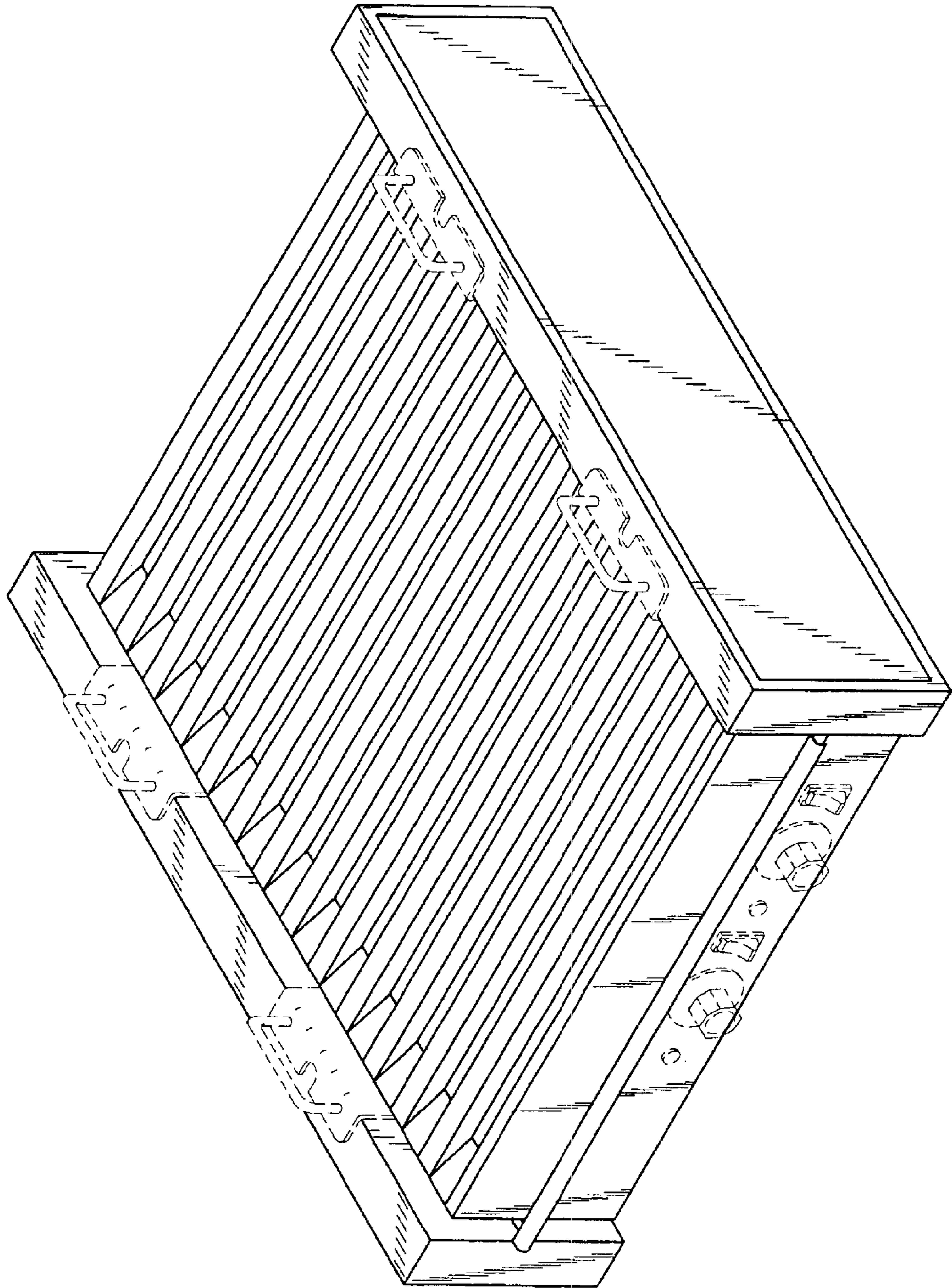


FIG. 8

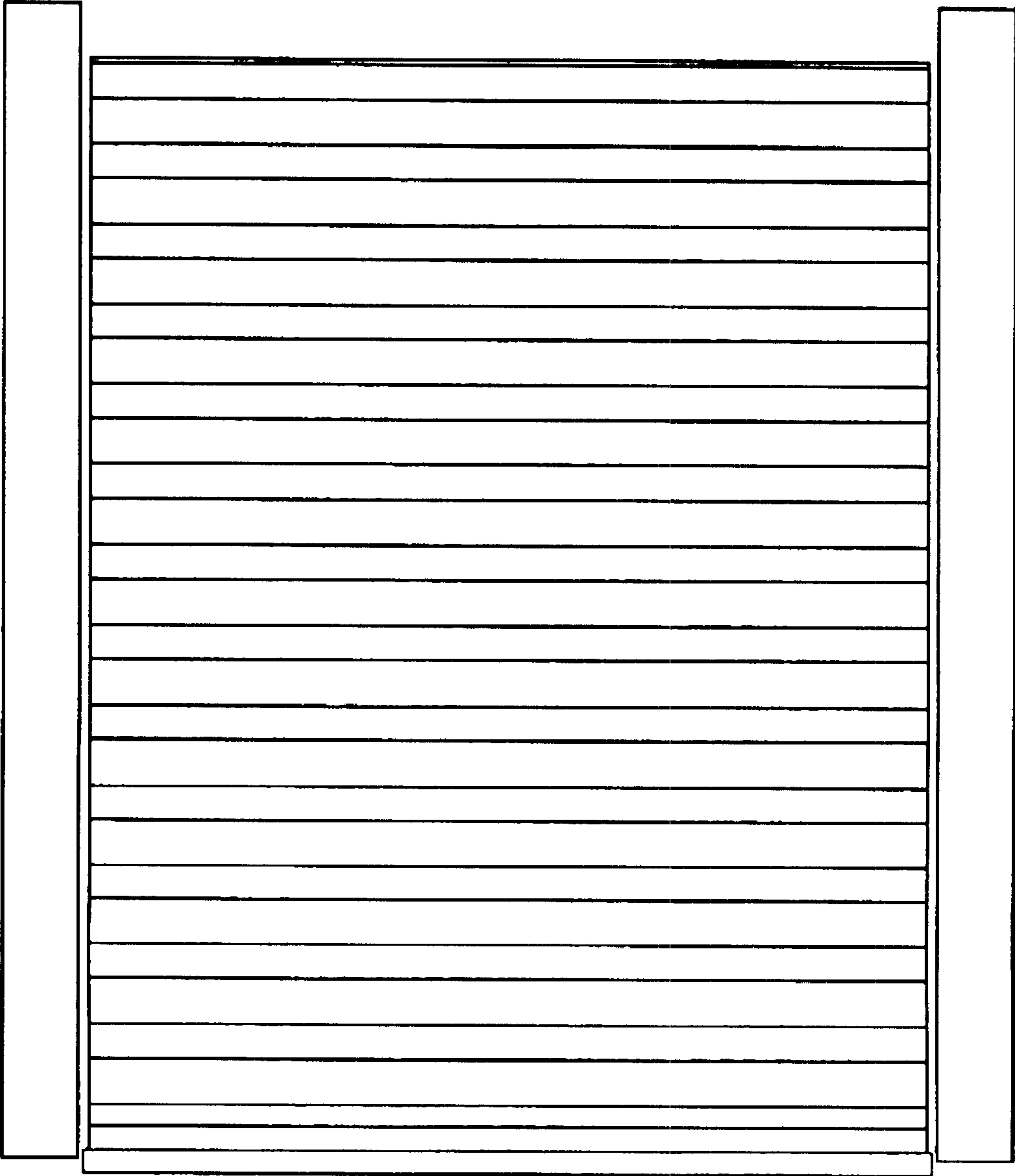


FIG. 9



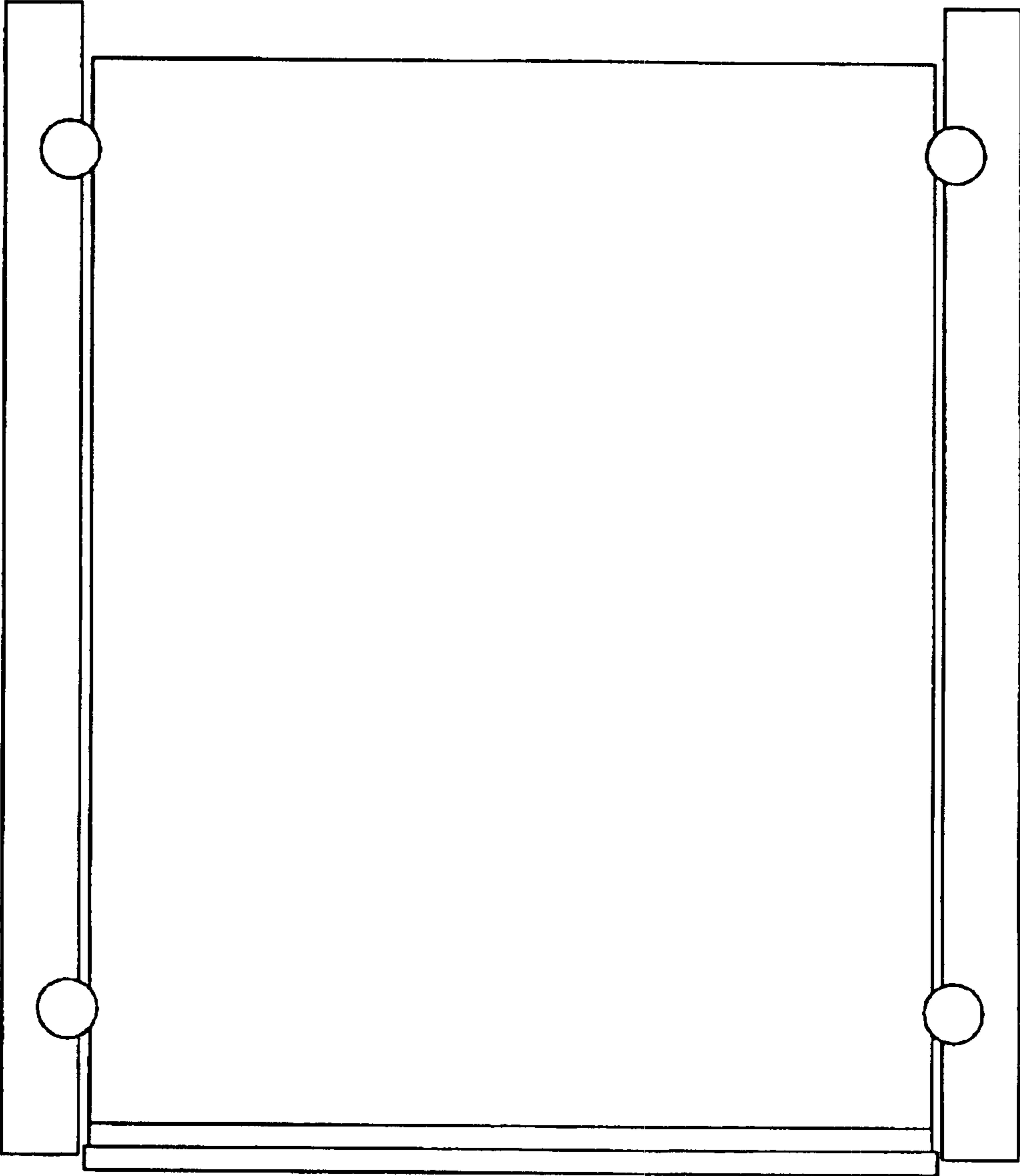


FIG. 10

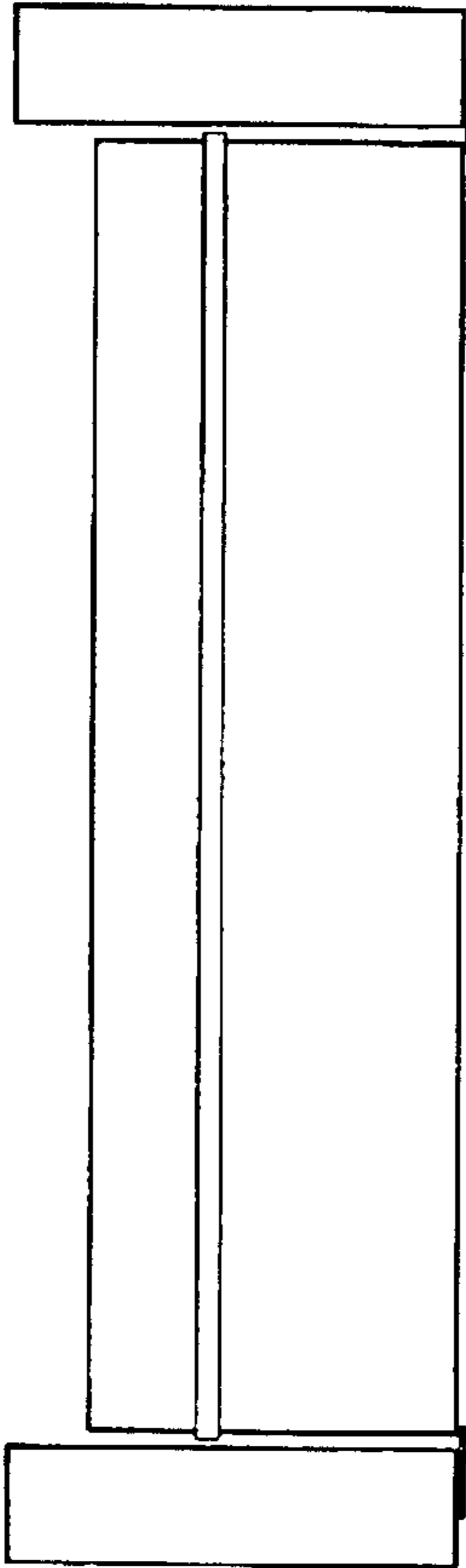


FIG. 11

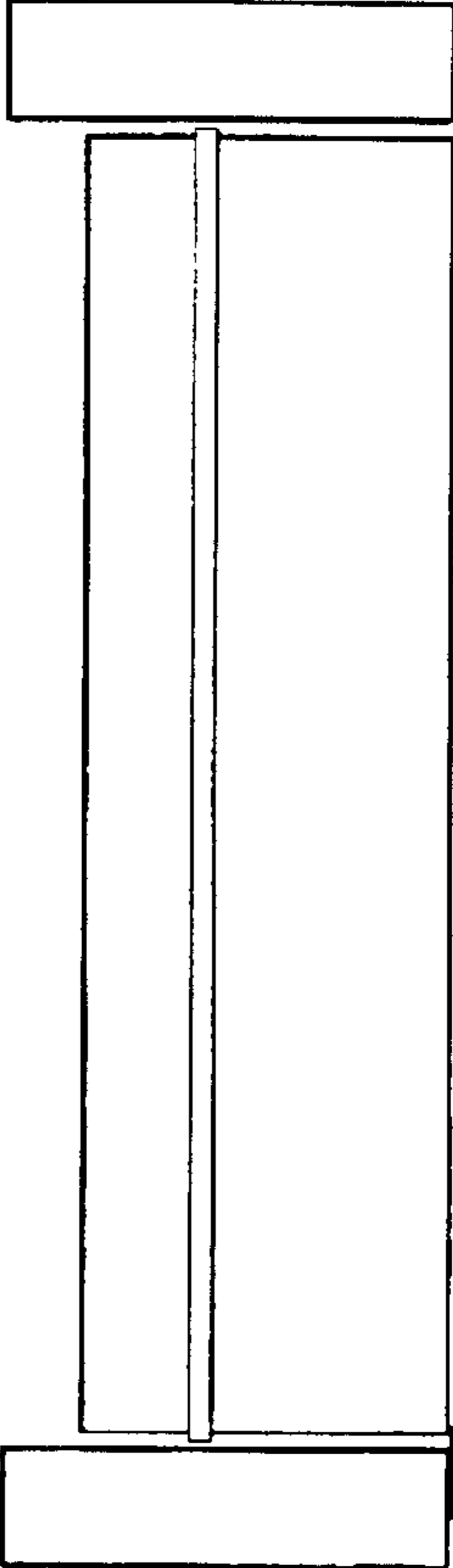


FIG. 12

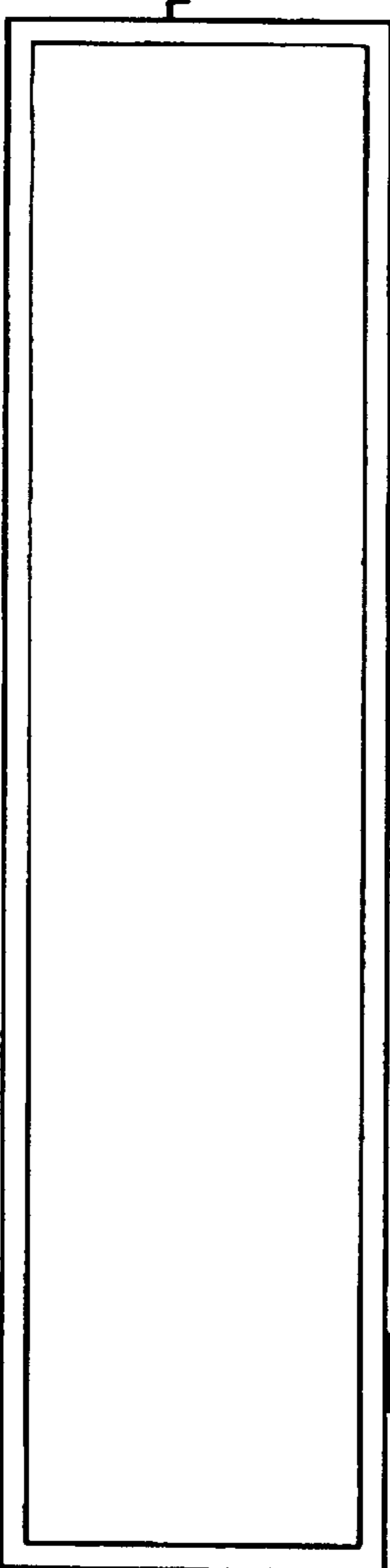


FIG. 13

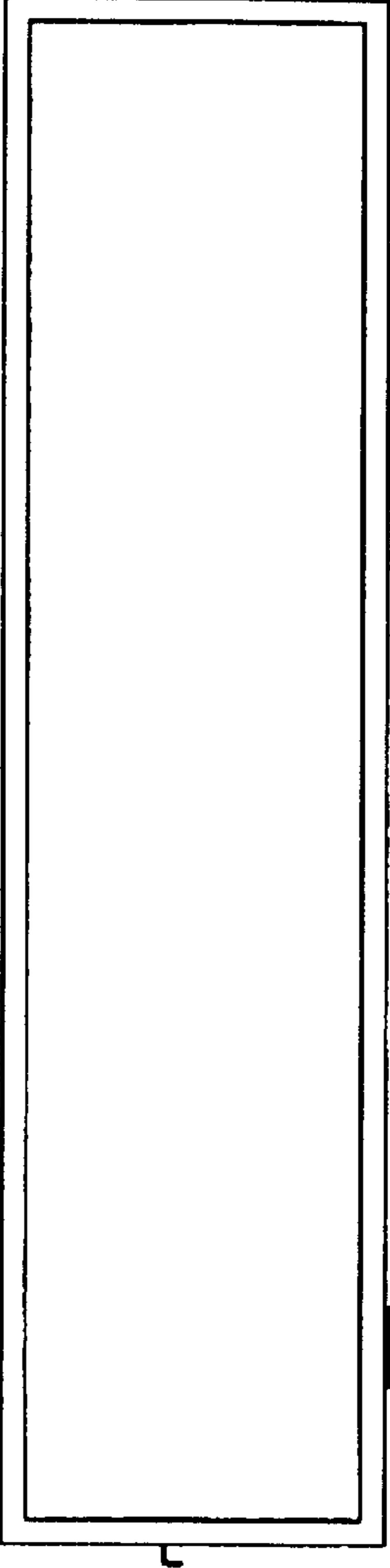


FIG. 14