

US00D523687S

(12) **United States Design Patent**  
**Jian**

(10) **Patent No.:** **US D523,687 S**

(45) **Date of Patent:** **\*\* Jun. 27, 2006**

(54) **ELECTRIC ROASTER OVEN**

(76) Inventor: **Wei-wen Jian**, Huanzhen Road, Yanbu,  
Nanhai, Foshan City, Guangdong (CN),  
528247

(\*\*) Term: **14 Years**

(21) Appl. No.: **29/220,792**

(22) Filed: **Jan. 7, 2005**

(51) **LOC (8) Cl.** ..... **07-02**

(52) **U.S. Cl.** ..... **D7/360**

(58) **Field of Classification Search** ..... D7/350.1,  
D7/350.2, 350.3, 350.4, 351-352, 354-355,  
D7/358, 360, 362, 402-403, 405-406; 126/19 M,  
126/275 E, 273 A; 219/756-758, 391, 401-402,  
219/386, 393, 429, 431, 433, 438, 622; 99/DIG. 14  
See application file for complete search history.

(56) **References Cited**

**U.S. PATENT DOCUMENTS**

D250,626 S	*	12/1978	Scott	.....	D7/360
5,746,119 A	*	5/1998	Matsumoto	.....	99/451
D420,247 S	*	2/2000	Kaney et al.	.....	D7/360
D429,596 S	*	8/2000	Hlava et al.	.....	D7/360
D436,287 S	*	1/2001	Choi	.....	D7/360

D438,422 S	*	3/2001	Choi	.....	D7/360
6,274,847 B1	*	8/2001	Hlava et al.	.....	219/433
6,347,576 B1	*	2/2002	Chung	.....	99/331
6,472,642 B1	*	10/2002	Jian	.....	219/431
6,515,262 B1	*	2/2003	Li	.....	219/429
D479,432 S	*	9/2003	Barker	.....	D7/360

\* cited by examiner

*Primary Examiner*—Ruth McInroy

(74) *Attorney, Agent, or Firm*—Baker Donelson Bearman  
Caldwell & Berkowitz PC

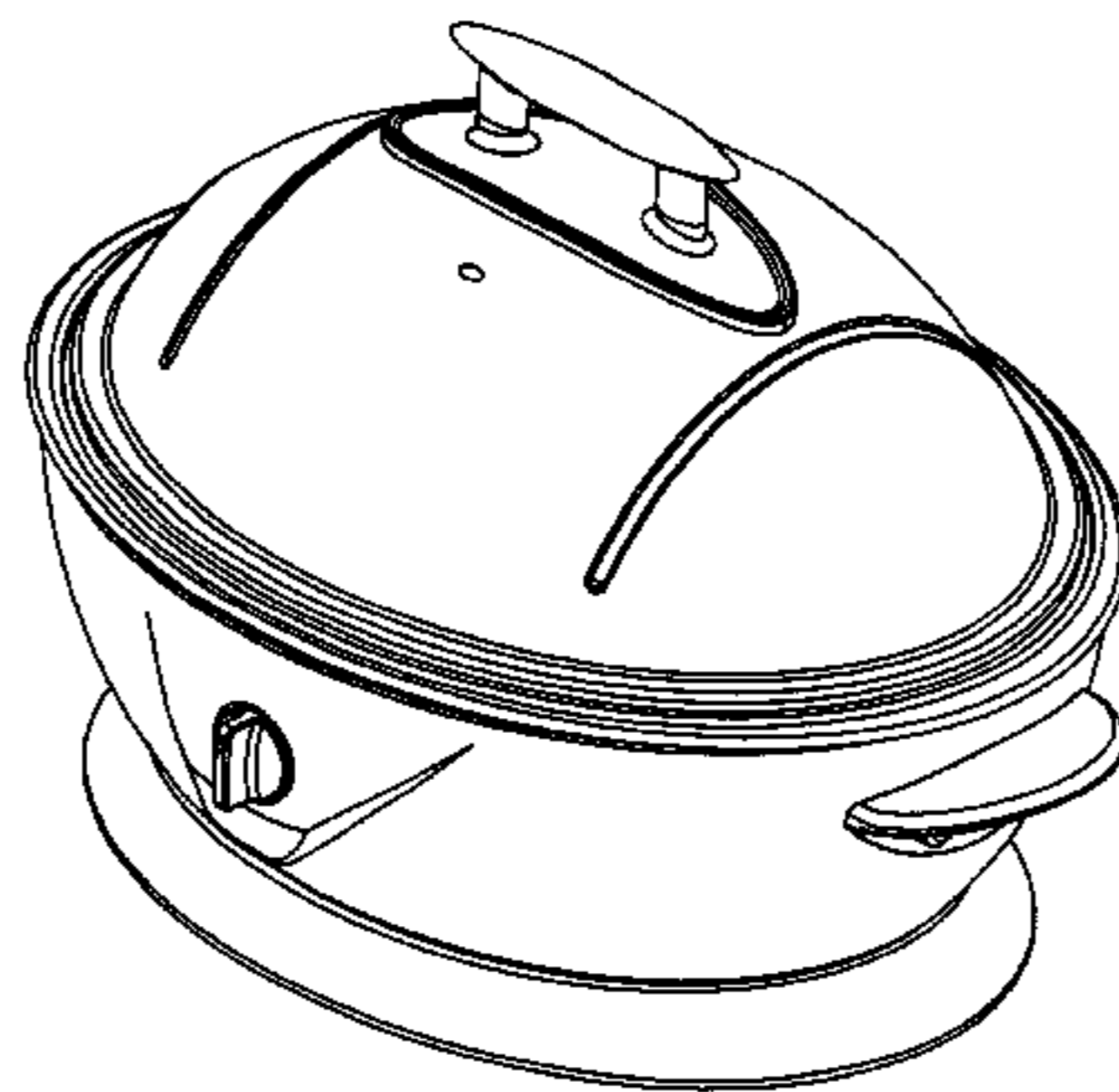
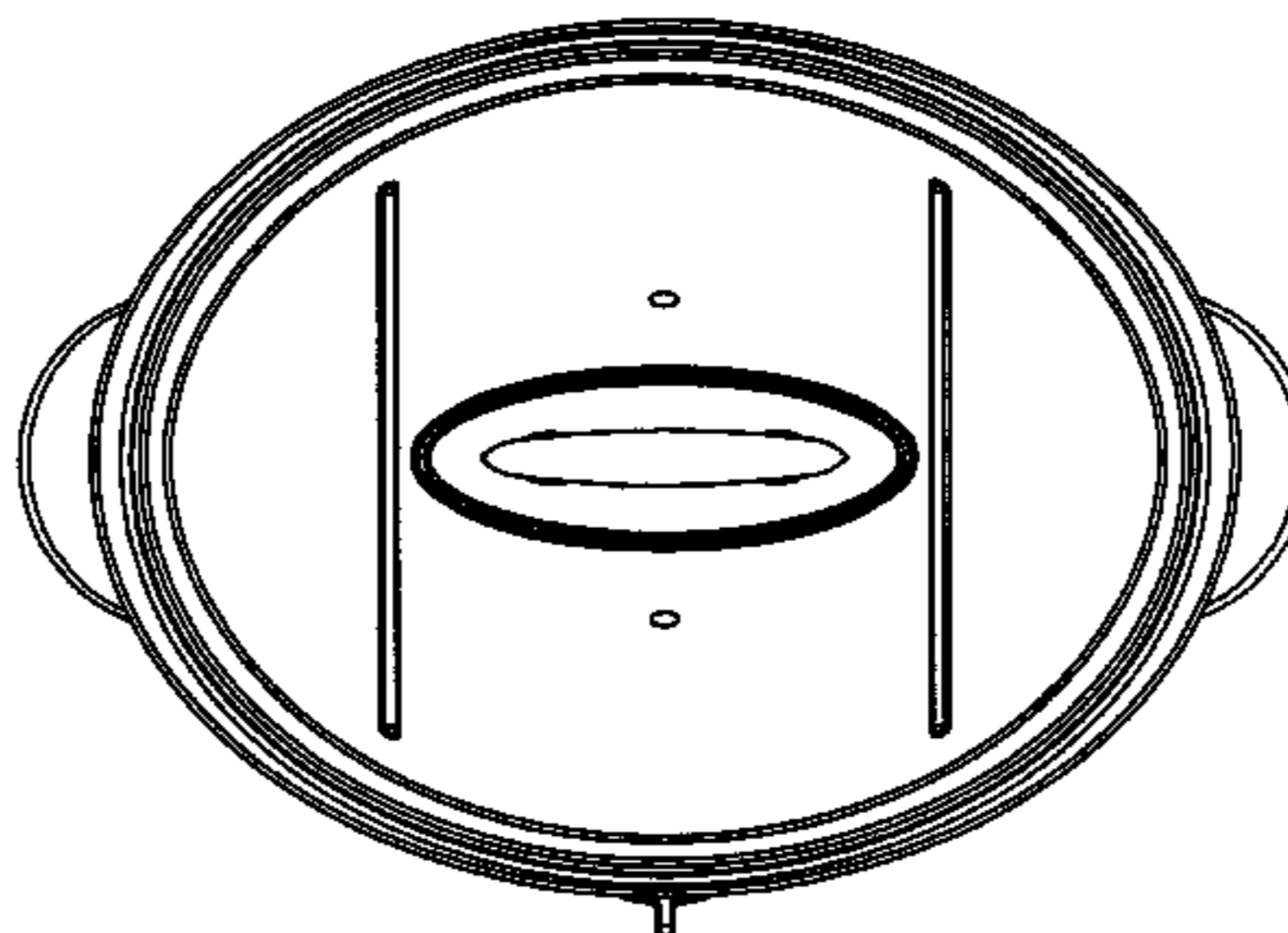
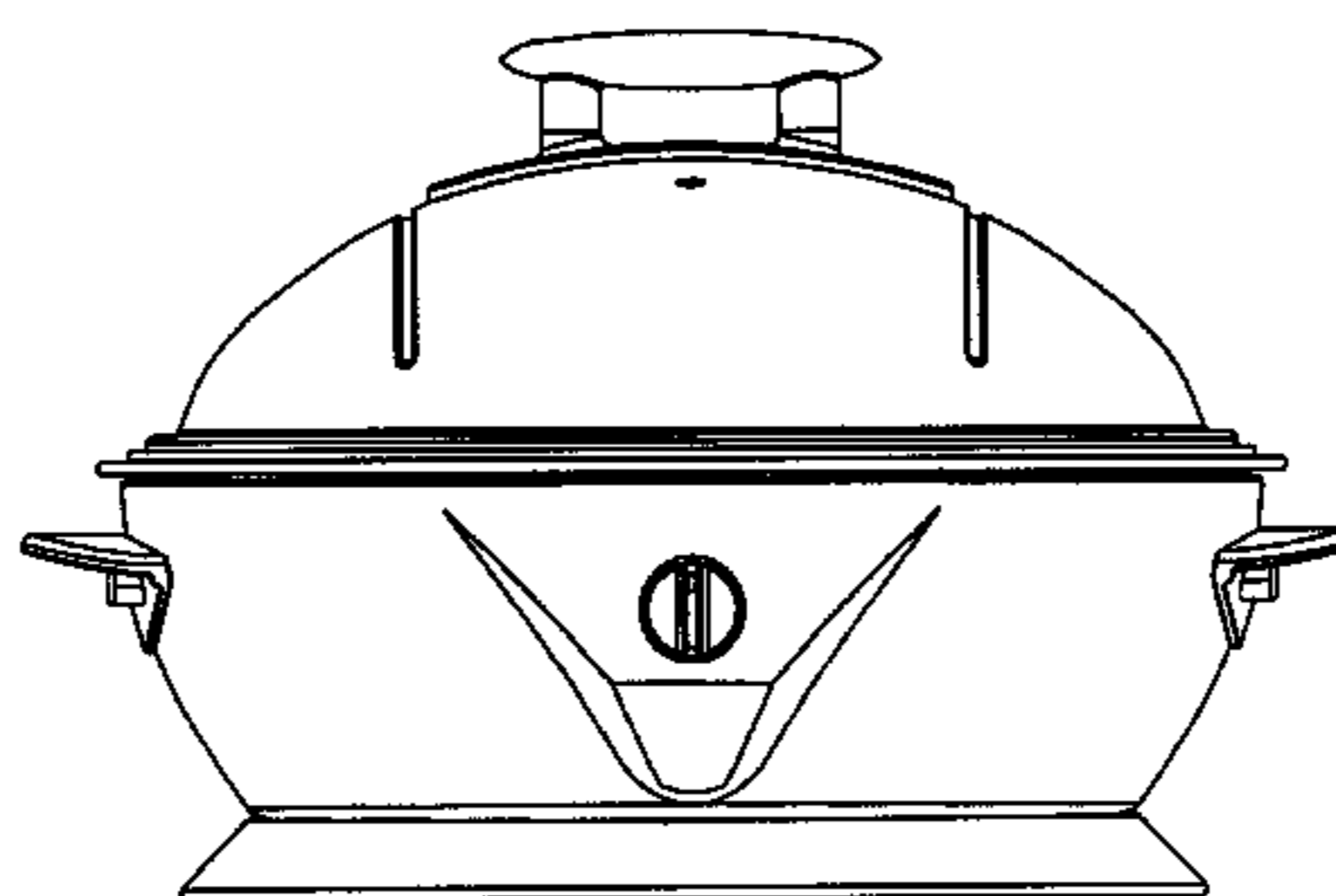
(57) **CLAIM**

I claim the ornamental design for an electric roaster oven, as shown and described.

**DESCRIPTION**

FIG. 1 is a front view of an electric roaster oven showing my new design;  
FIG. 2 is a rear view thereof;  
FIG. 3 is a top plan view thereof;  
FIG. 4 is a bottom plan view thereof;  
FIG. 5 is a left view thereof;  
FIG. 6 is a right view thereof; and,  
FIG. 7 is a perspective view thereof.

**1 Claim, 7 Drawing Sheets**



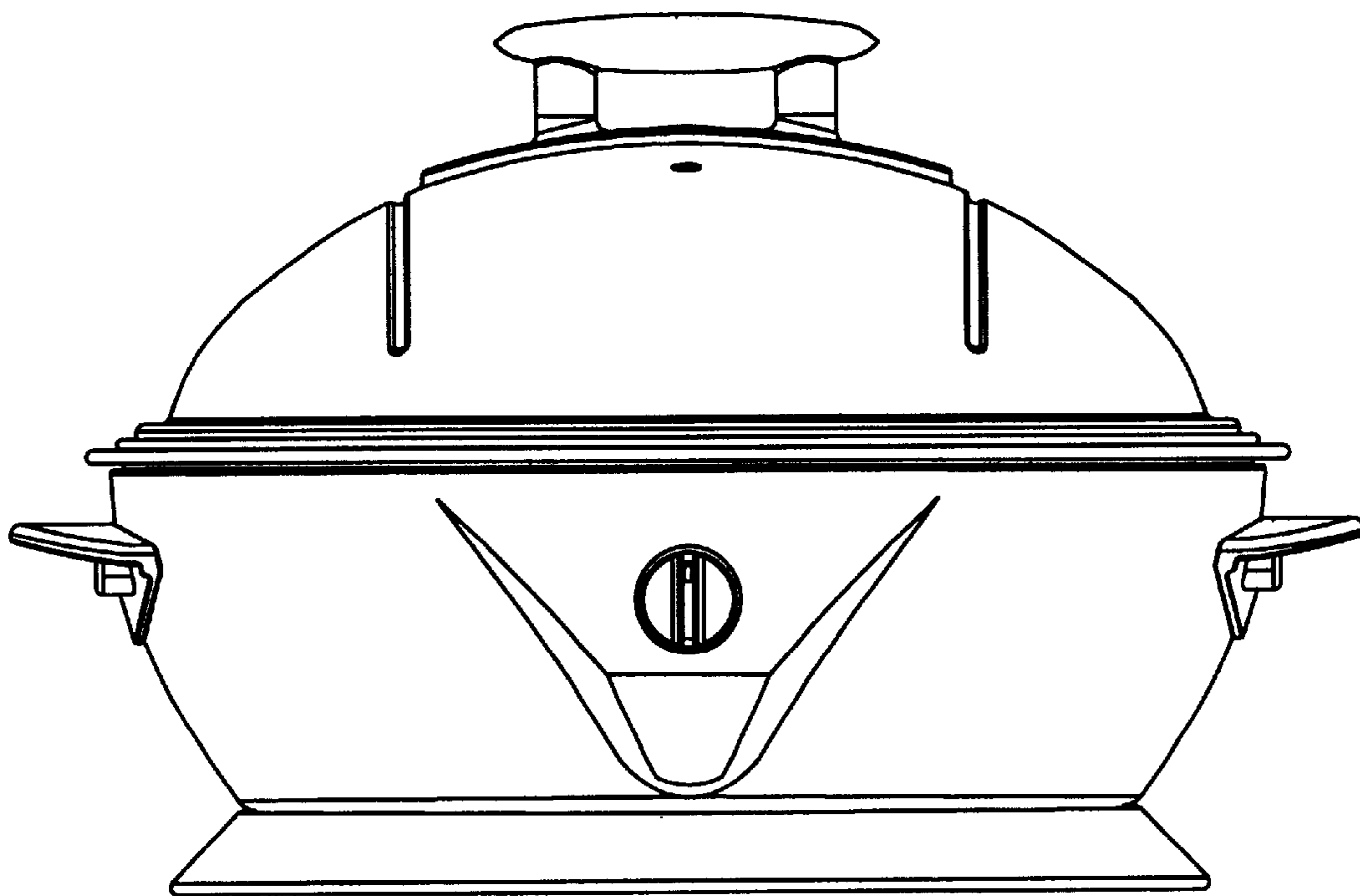


Fig. 1

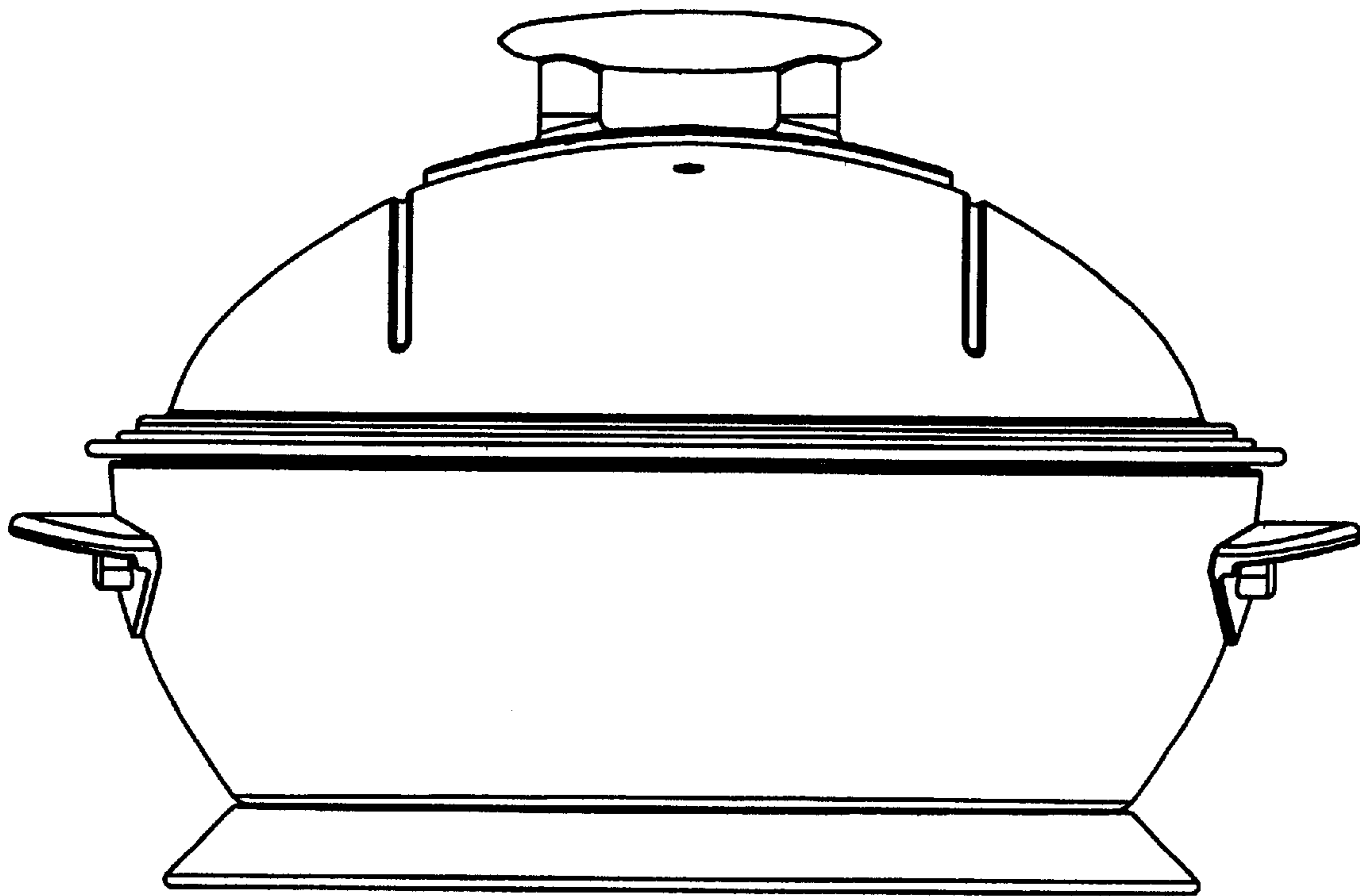


Fig. 2

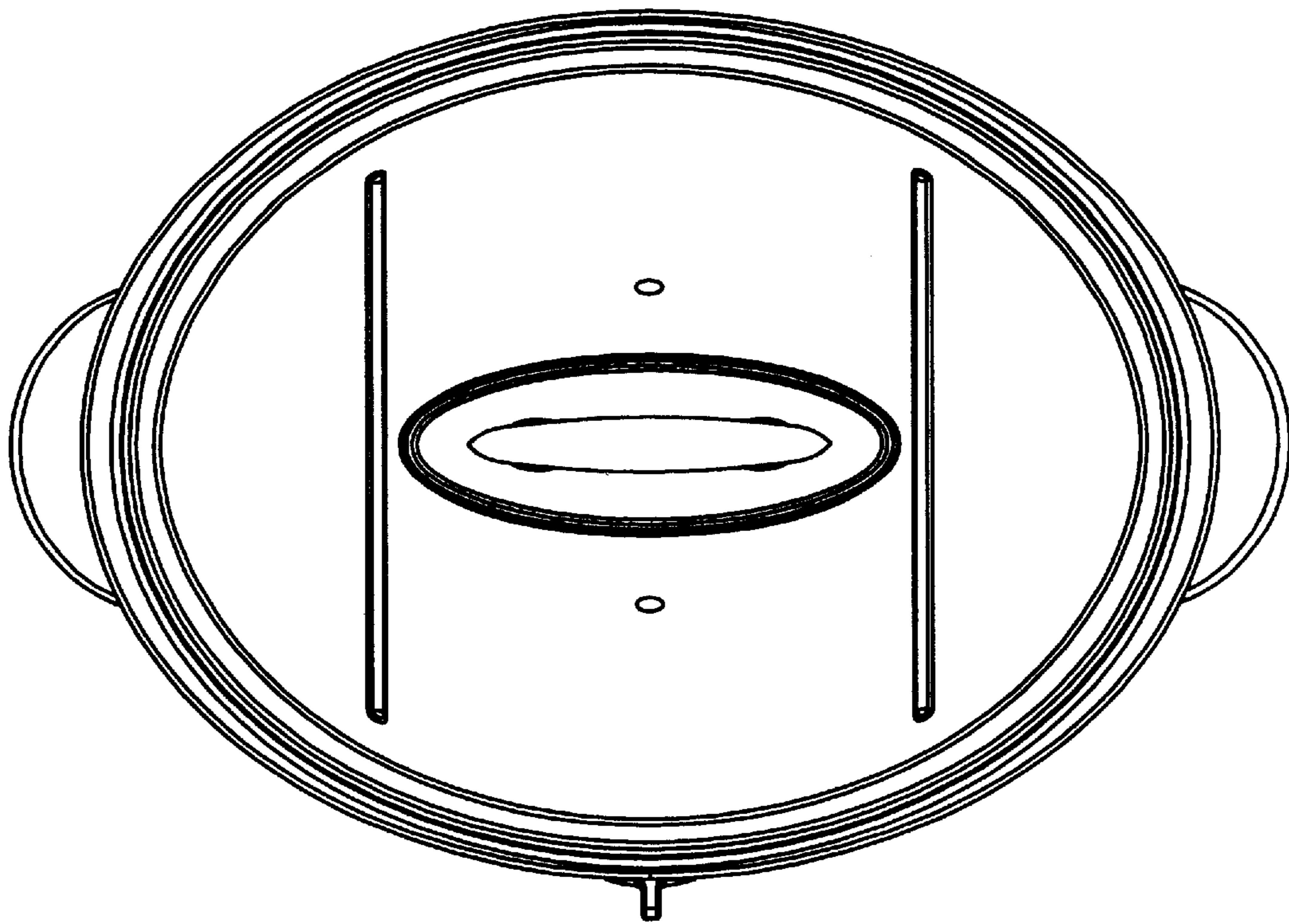


Fig. 3

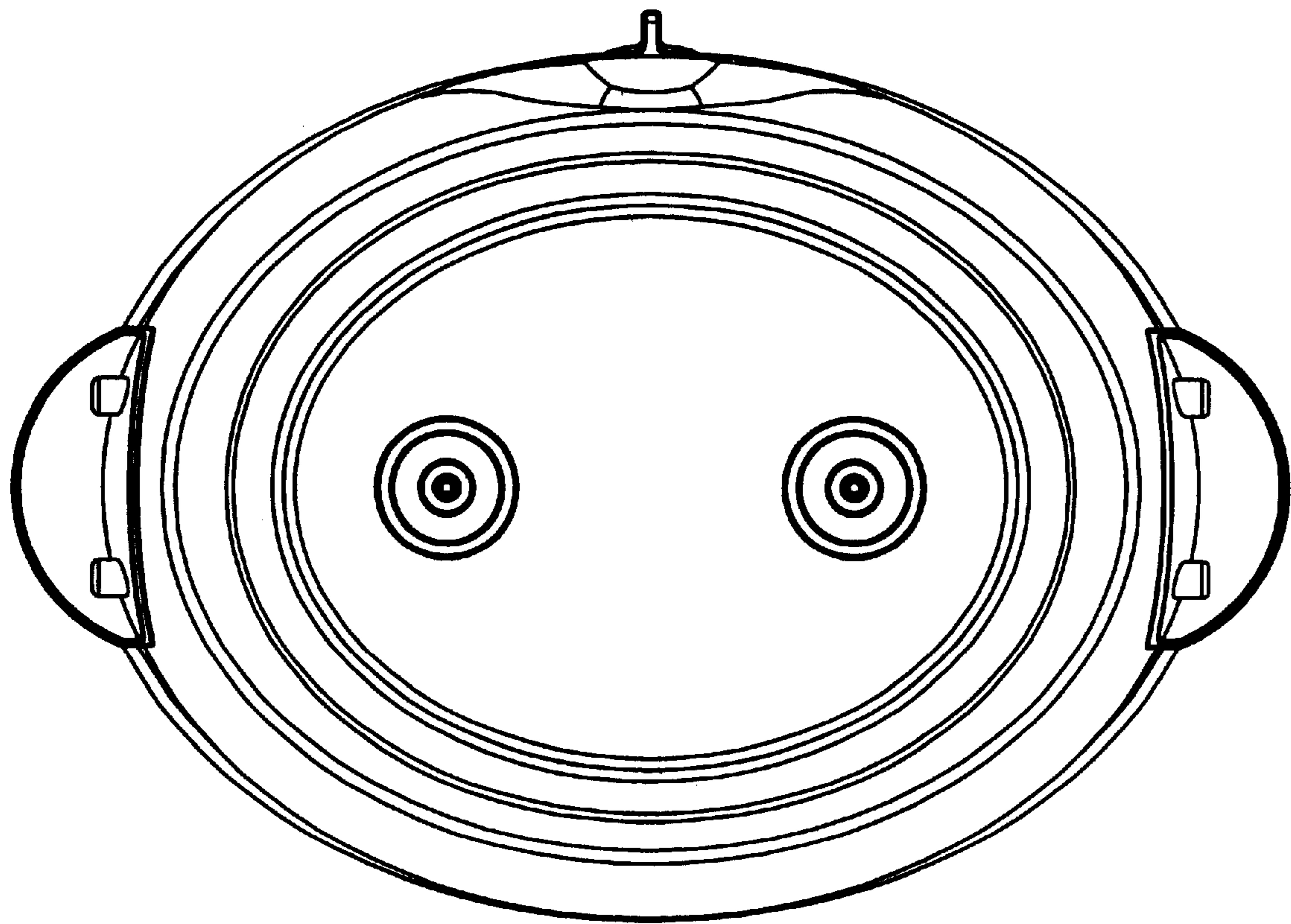


Fig. 4

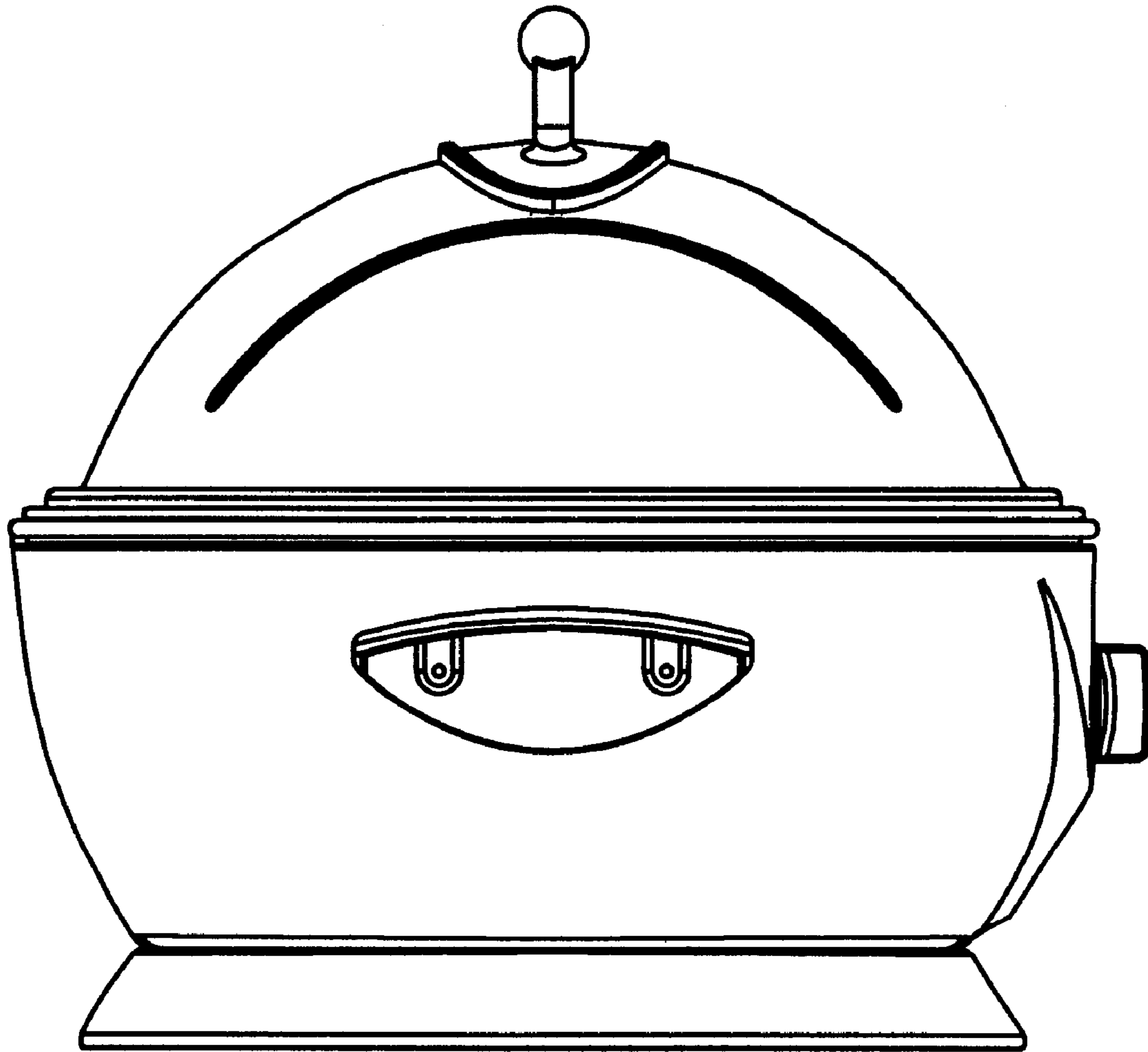


Fig. 5

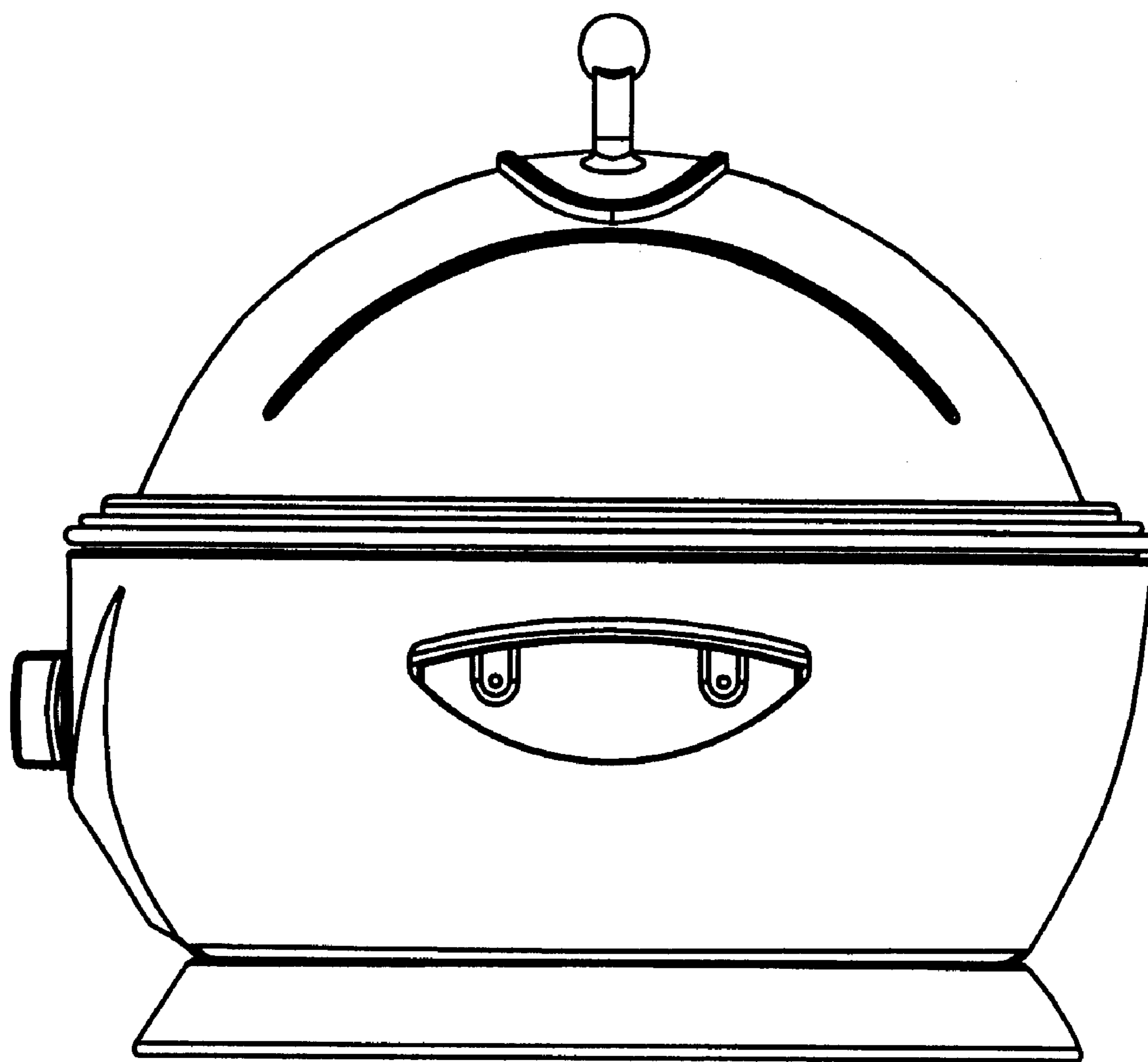


Fig. 6

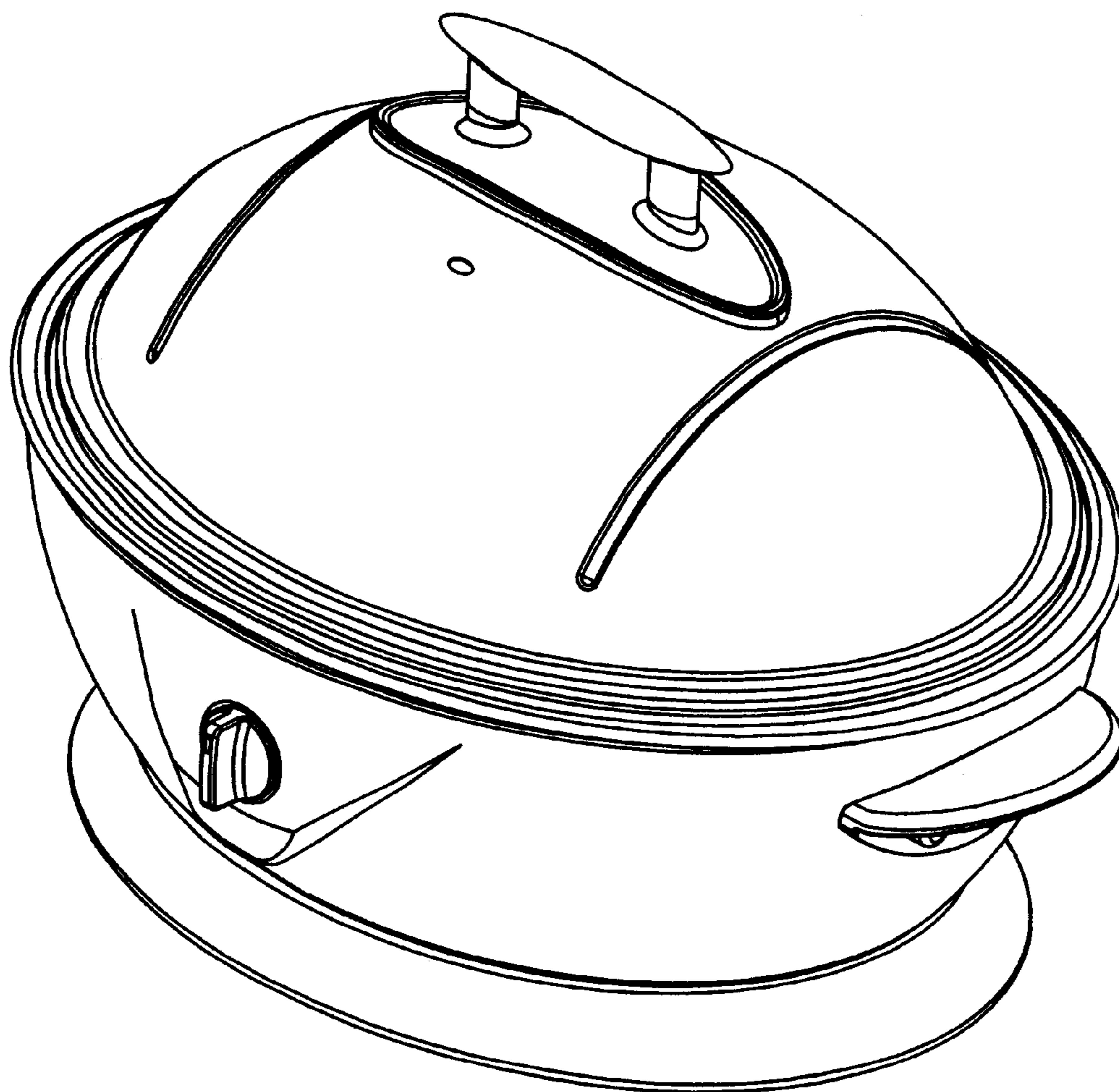


Fig. 7