



US00D523686S

(12) **United States Design Patent**  
**Currie**

(10) **Patent No.:** **US D523,686 S**  
(45) **Date of Patent:** **\*\* Jun. 27, 2006**

(54) **DEEP FRYER**

(75) **Inventor:** **Neil Anthony Currie,**  
Stourport-on-Severn (GB)

(73) **Assignee:** **3rd Angle (U.K.) Ltd.,** Shropshire  
(GB)

(\*\*) **Term:** **14 Years**

(21) **Appl. No.:** **29/202,981**

(22) **Filed:** **Apr. 8, 2004**

(30) **Foreign Application Priority Data**

Oct. 24, 2003 (EM) ..... RCD 00091954

(51) **LOC (8) Cl.** ..... **07-02**

(52) **U.S. Cl.** ..... **D7/354**

(58) **Field of Classification Search** ..... D7/361,  
D7/354, 355, 360, 366, 367, 353, 330, 331,  
D7/358, 347, 350.3, 336, 338, 339, 359, 350.2,  
D7/351, 352, 369; 99/348, 371, 389, 446;  
219/620-622

See application file for complete search history.

(56) **References Cited**

**U.S. PATENT DOCUMENTS**

5,249,510 A \* 10/1993 Rozak et al. .... 99/336  
D343,090 S \* 1/1994 Connell ..... D7/339  
D368,619 S \* 4/1996 Garber ..... D7/339

D428,563 S \* 7/2000 Russett et al. .... D7/350.4  
D481,581 S \* 11/2003 Pearlman et al. .... D7/323  
D496,822 S \* 10/2004 Currie ..... D7/354

**FOREIGN PATENT DOCUMENTS**

EP 1025788 A1 \* 8/2000  
GB 2087247 \* 10/1999  
GB 2097800 \* 11/2000  
GB 2102245 \* 6/2001  
GB 2103838 \* 8/2001  
GB 3005407 \* 7/2002

\* cited by examiner

*Primary Examiner*—Caron D. Veynar

*Assistant Examiner*—Ricky Pham

(74) *Attorney, Agent, or Firm*—Bacon & Thomas PLLC

(57) **CLAIM**

The ornamental design for a deep fryer, as shown and described.

**DESCRIPTION**

FIG. 1 is a top left perspective view of a deep fryer showing my new design;

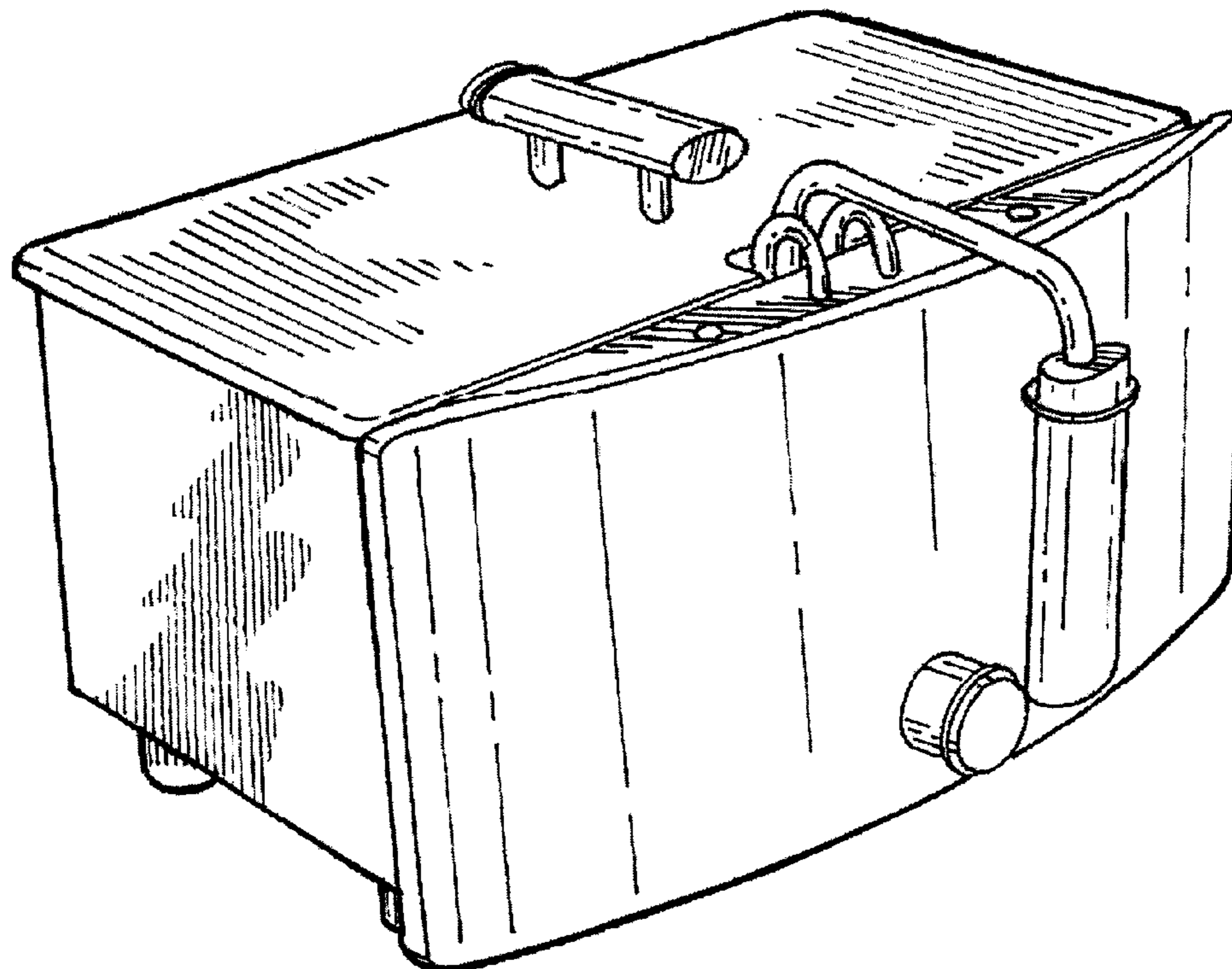
FIG. 2 is a right side elevation view of the deep fryer;

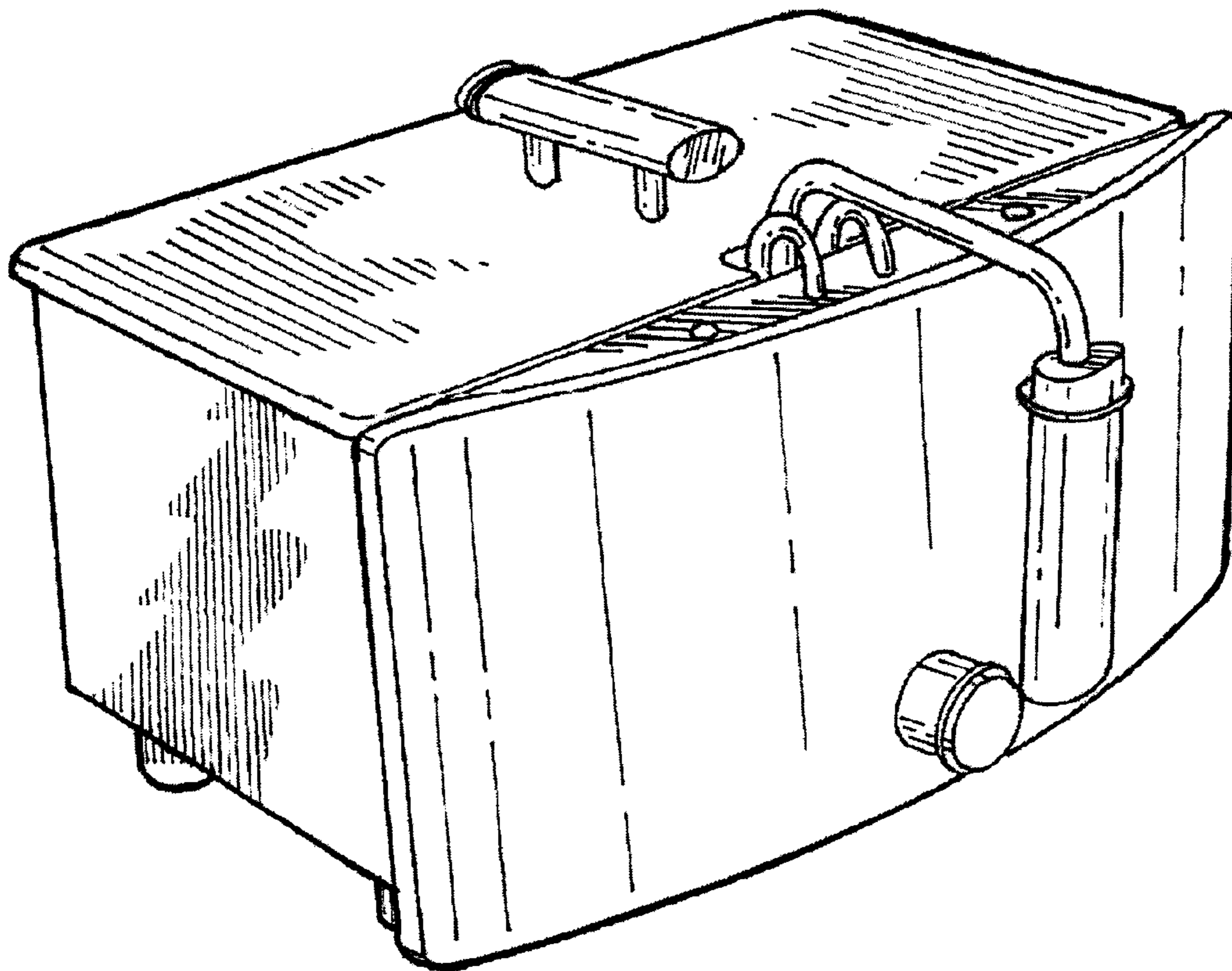
FIG. 3 is a top plan view of the deep fryer;

FIG. 4 is a front elevation view of the deep fryer; and,

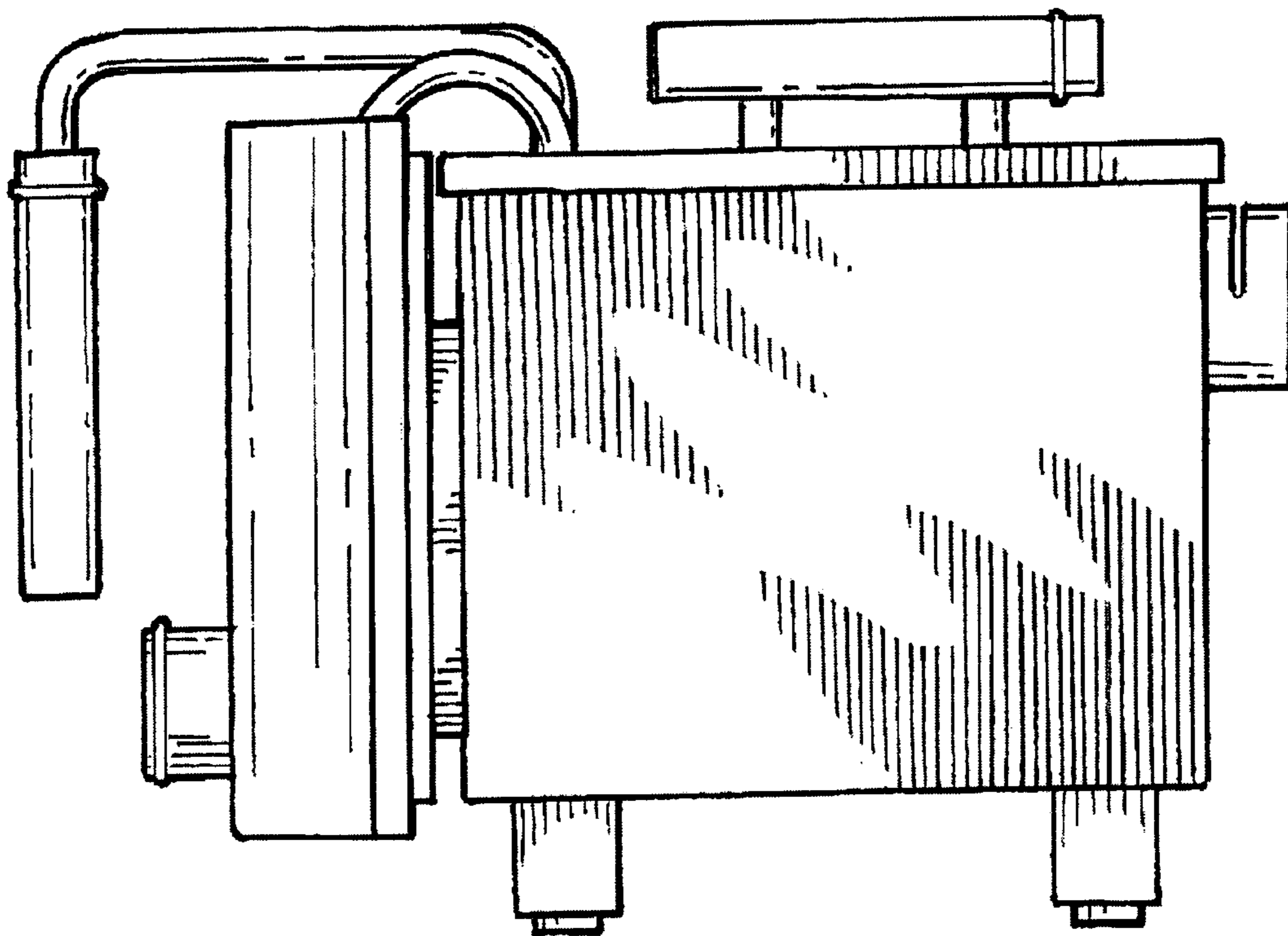
FIG. 5 is a rear elevation view of the deep fryer.

**1 Claim, 5 Drawing Sheets**

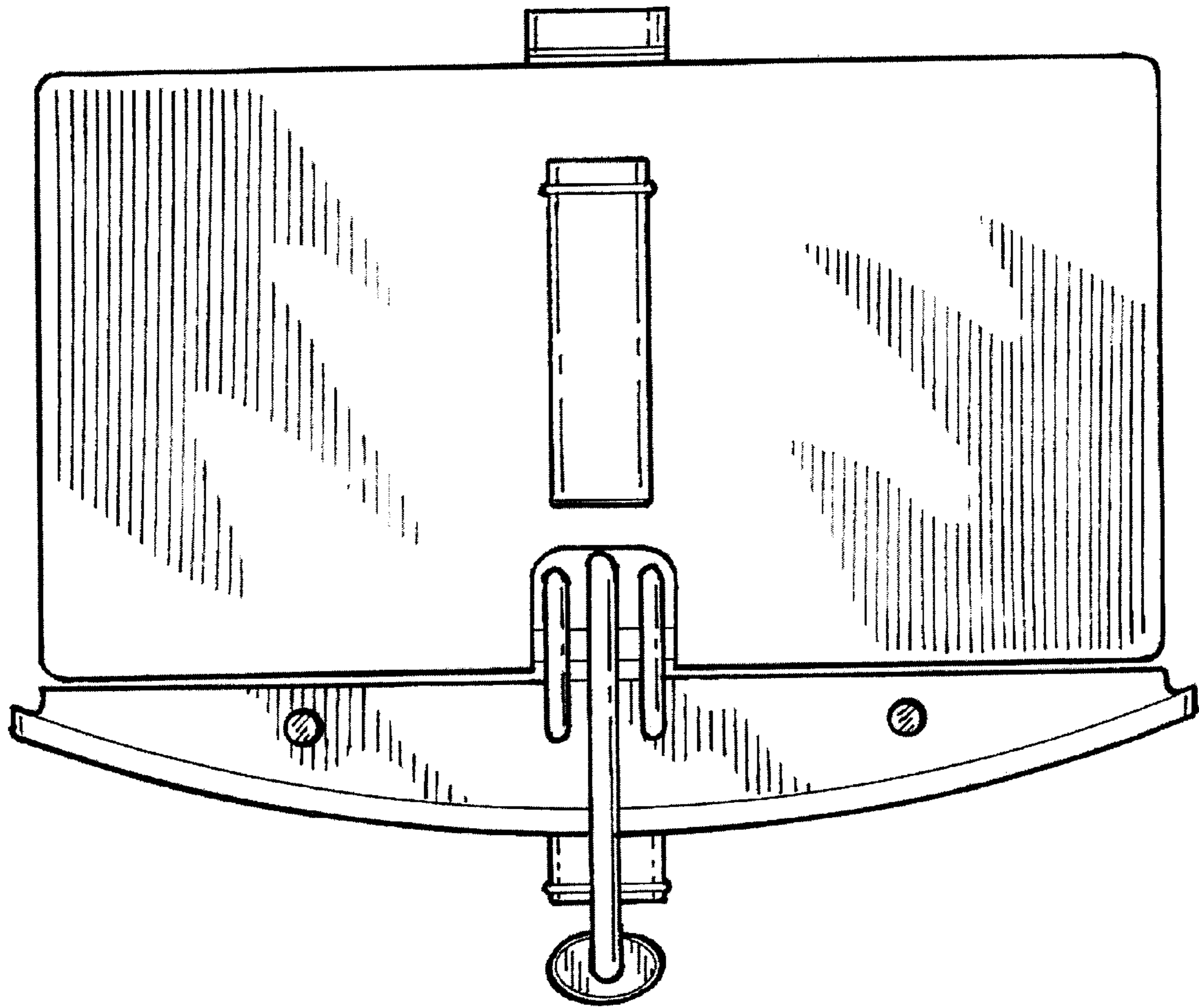




*Fig. 1*

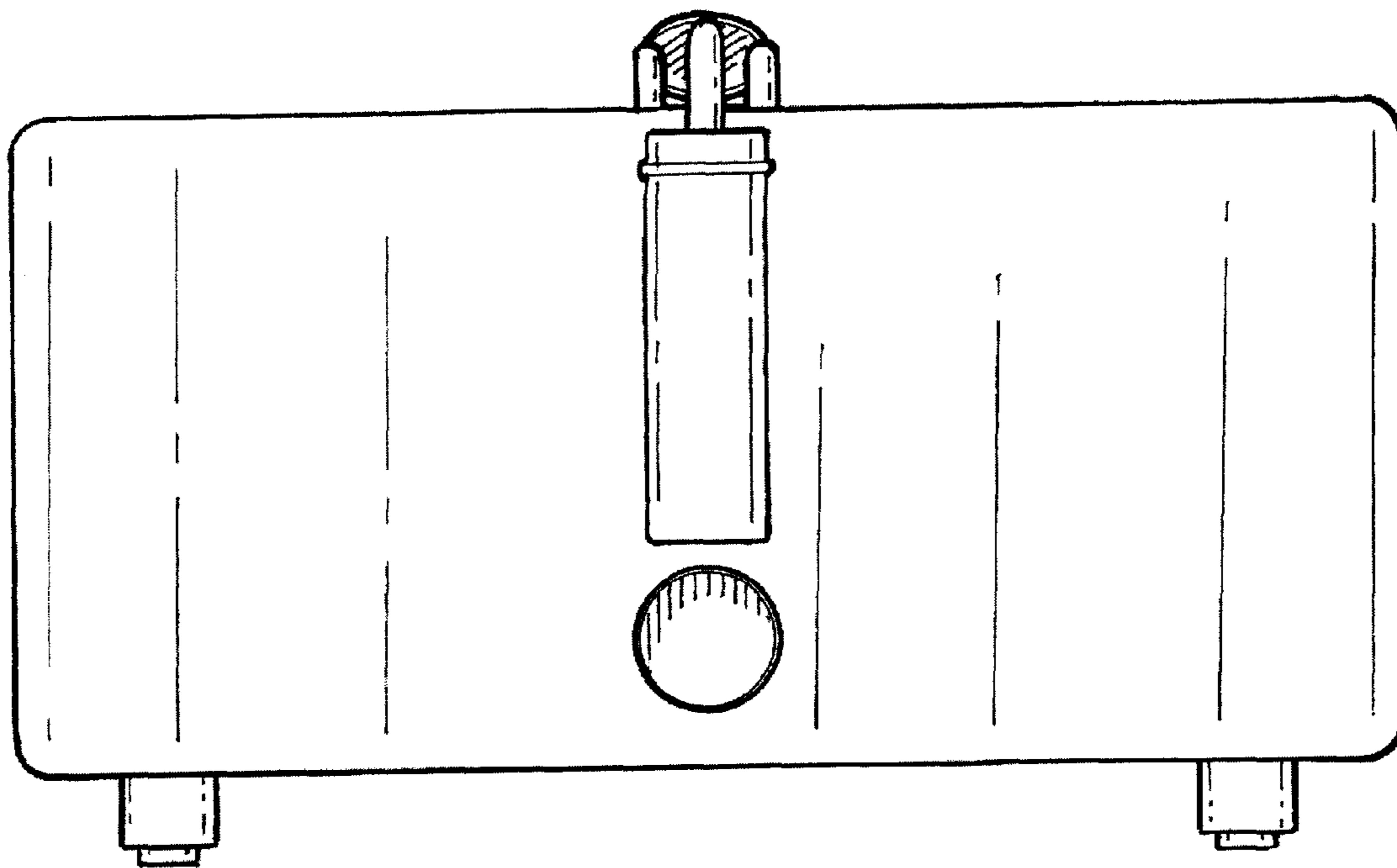


*Fig. 2*

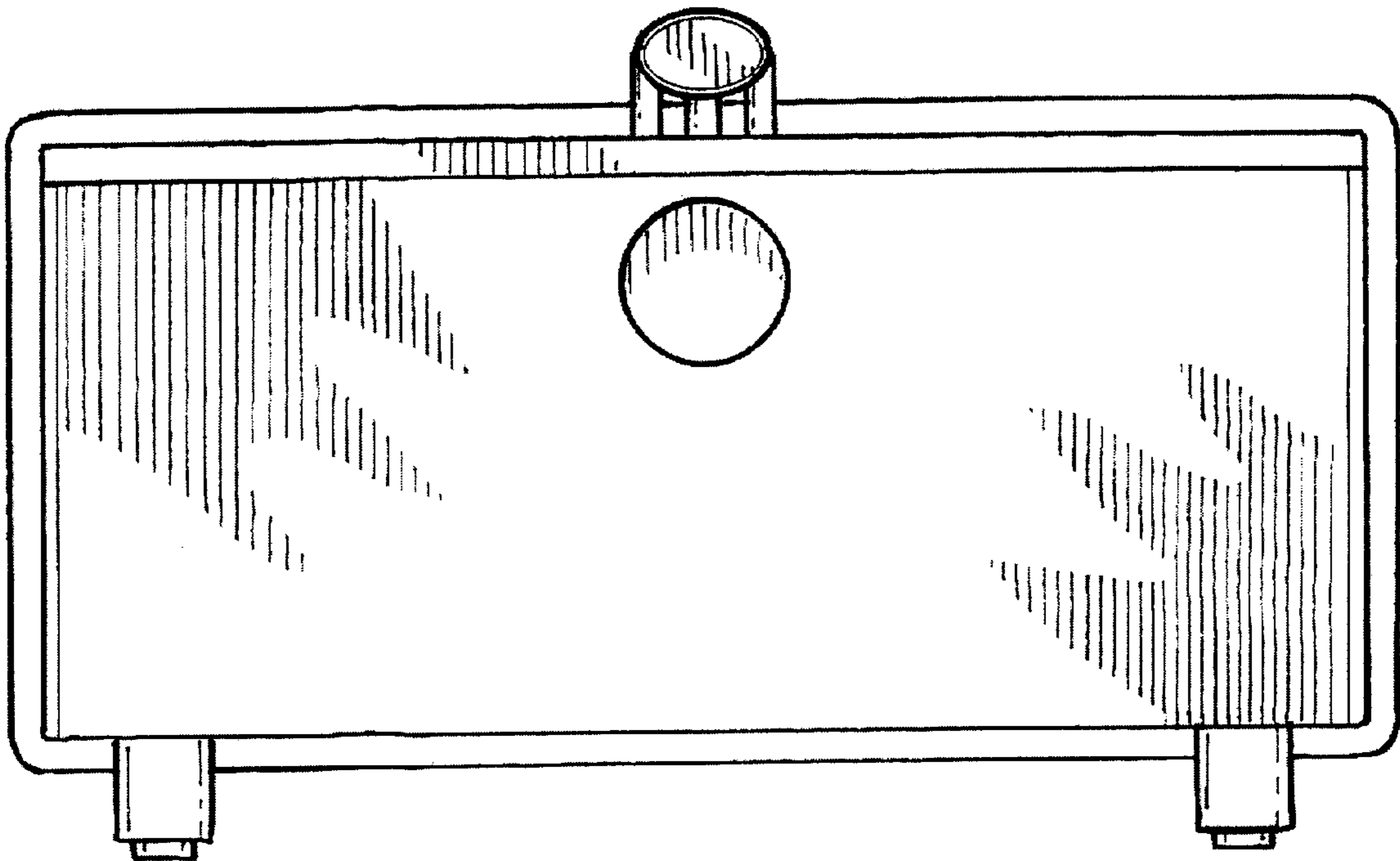


*Fig. 3*





*Fig. 4*



*Fig. 5*