



US00D523684S

(12) **United States Design Patent** (10) **Patent No.:** **US D523,684 S**
Dowst et al. (45) **Date of Patent:** **** Jun. 27, 2006**

(54) **HEATING VESSEL WITH SUPPORT**

584,162 A 6/1897 Langerfeld
651,952 A 6/1900 Pearlstine
941,915 A 11/1909 Edwards

(75) Inventors: **W. Perry Dowst**, Weare, NH (US);
Dwight C. Aspinwall, Hanover, NH
(US)

(Continued)

(73) Assignee: **Jetboil, Inc.**, Guild, NH (US)

(**) Term: **14 Years**

(21) Appl. No.: **29/210,547**

(22) Filed: **Aug. 3, 2004**

FOREIGN PATENT DOCUMENTS

DE	373125	6/1920
DE	576642	3/1932
DE	34 02 760	8/1985
DE	3516293	11/1986
DK	32658	2/1922
GB	335602	9/1930
GB	484718	5/1938
JP	62-5022	1/1987
JP	11-206572	8/1999
JP	11-244135	9/1999
JP	2001-149225	6/2001
WO	WO 2004/000082 A2	12/2003

Related U.S. Application Data

(63) Continuation of application No. 10/603,947, filed on Jun. 25, 2003.

(51) **LOC (8) Cl.** **07-02**

(52) **U.S. Cl.** **D7/337**

(58) **Field of Classification Search** D7/332,
D7/334-337, 361, 402-405, 417; 126/9 R,
126/9 B, 13, 2, 25 R, 25 B, 26, 29, 37 R-38,
126/39 E, 40, 41 R, 50, 218, 260, 262, 274,
126/304 R, 305, 344, 350.1, 375.1, 506;
108/115; 99/447, 450; 219/451.1, 452.11,
219/455.11, 385, 520, 450.1; 248/129, 166,
248/188.6, 250, 439; 431/203

See application file for complete search history.

OTHER PUBLICATIONS

'Mountain Safety Research Catalog' [online]. Retrieved from the Internet: <http://www.msrcorp.com> (Aug. 3, 2004)—3 pgs.

International Search Report for International Application No. PCT/US03/19957, mailed from the International Searching Authority on Aug. 18, 2004 (4 pgs.).

Primary Examiner—Ruth McInroy

(74) *Attorney, Agent, or Firm*—Wall Marjama & Bilinski LLP

(56) **References Cited**

U.S. PATENT DOCUMENTS

26,595 A	12/1859	Danner et al.
33,909 A	12/1861	Toothhill
76,390 A	4/1868	Bevan et al.
146,906 A	1/1874	Hein
175,263 A	3/1876	Sullivan
177,978 A	5/1876	Zugg
208,251 A	9/1878	Mains
221,749 A	11/1879	Stockford
222,673 A	12/1879	Conover
261,891 A	8/1882	Wolf
305,790 A	9/1884	Burgess
376,119 A	1/1888	Thayer et al.
451,444 A	4/1891	Howe

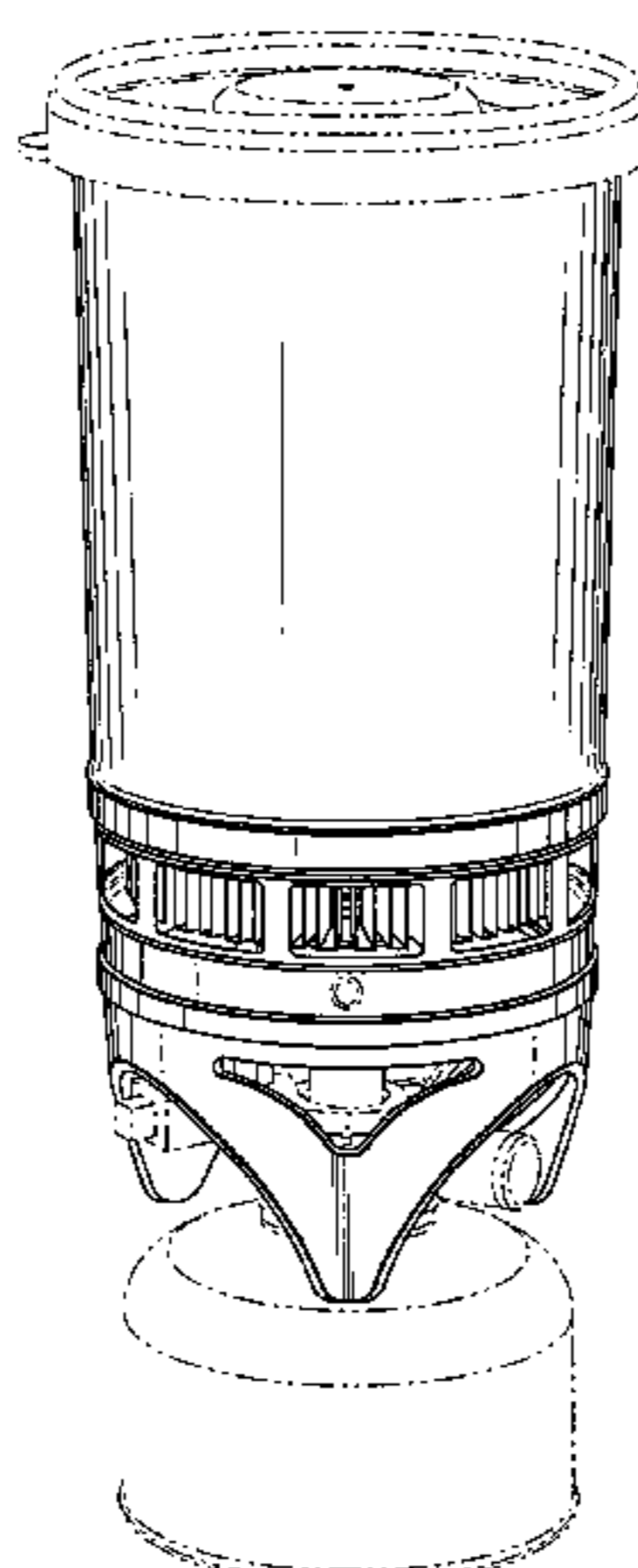
(57) **CLAIM**

The ornamental design for a heating vessel with support, as shown and described.

DESCRIPTION

FIG. 1 is a perspective view of a heating vessel with support showing our new design, the article shown in FIG. 1 is the same when it is rotated 120 degrees in either a clockwise or counterclockwise direction about its vertical axis. The details shown in broken lines are for illustrative purposes only and form no part of the claimed design.

1 Claim, 1 Drawing Sheet



US D523,684 S

Page 2

U.S. PATENT DOCUMENTS							
945,302	A	1/1910	Brown	D184,450	S * 2/1959	Morton D7/337	
986,272	A	3/1911	Ellis et al.	3,069,148	A	12/1962	Jacob
1,022,246	A	4/1912	Koretz	D196,018	S * 8/1963	Palmer et al. D7/337	
1,034,563	A	8/1912	Arctander	3,709,198	A	1/1973	Williams
1,058,601	A	4/1913	Knittel	3,730,165	A	5/1973	Williams
1,080,775	A	12/1913	Nelson	3,804,076	A	4/1974	Fant et al.
1,090,056	A	3/1914	Hildum et al.	3,978,844	A	9/1976	Wilkens
1,167,142	A	1/1916	Wright	D249,448	S * 9/1978	Vache D7/337	
1,203,774	A	11/1916	Ogden	4,191,173	A	3/1980	Dedeian et al.
1,232,227	A	7/1917	Corbitt	4,583,941	A	4/1986	Elperin et al.
1,260,798	A	3/1918	Popper	4,643,164	A * 2/1987	LaForge 126/44	
1,578,741	A	3/1926	Arthur et al.	4,829,981	A	5/1989	Burrell
2,014,931	A	9/1935	Genovar Jr.	5,048,506	A	9/1991	Hayashi
2,036,611	A	4/1936	Simmons	5,125,393	A	6/1992	Levitin
2,154,305	A	4/1939	Goerl	5,373,836	A	12/1994	Mifune et al.
D143,360	S * 12/1945	Stempel et al. D7/337		5,408,987	A	4/1995	Mifune et al.
2,502,434	A	4/1950	Creitz	5,564,589	A	10/1996	Fu et al.
2,570,508	A	10/1951	Balkema	5,598,833	A	2/1997	Nitta et al.
2,575,299	A	11/1951	Scheel	5,690,094	A	11/1997	Sheinfeld et al.
2,595,527	A	5/1952	Kells et al.	D444,991	S * 7/2001	Measom D7/337	
2,641,245	A	6/1953	Chambers et al.	D478,771	S * 8/2003	Wu D7/337	
2,678,644	A	5/1954	Banks et al.	D486,348	S * 2/2004	Zhu D7/332	
2,756,738	A	7/1956	Kratz	2004/0011350	A1	1/2004	Dowst et al.

* cited by examiner

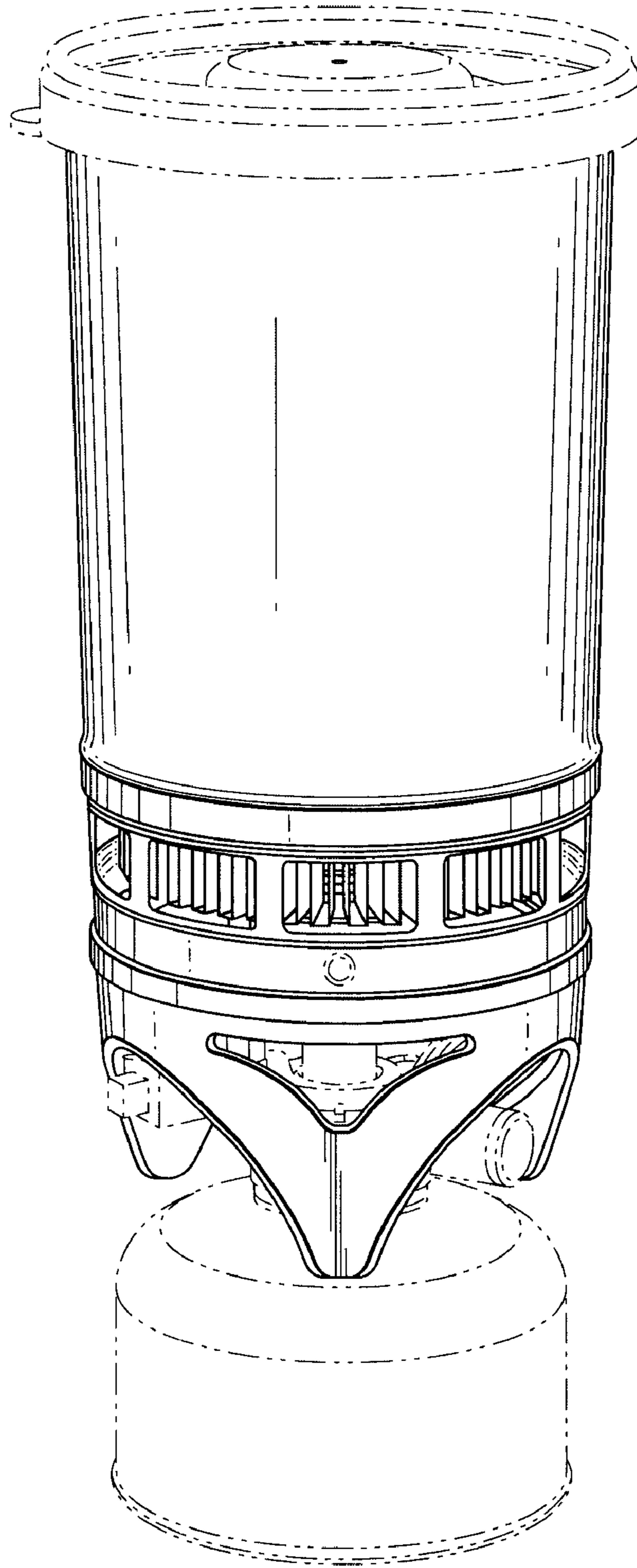


FIG. 1