

US00D523673S

(12) **United States Design Patent**
Nida

(10) **Patent No.:** **US D523,673 S**
(45) **Date of Patent:** **** Jun. 27, 2006**

(54) **DECORATIVE LIGHTHOUSE PAPER ROLL HOLDER**

(76) Inventor: **Bryan W. Nida**, 1022 Egurrola Pl.,
Boise, ID (US) 83709

(**) Term: **14 Years**

(21) Appl. No.: **29/208,737**

(22) Filed: **Jul. 1, 2004**

(51) **LOC (8) Cl.** **23-02**

(52) **U.S. Cl.** **D6/523; D6/521**

(58) **Field of Classification Search** D6/515-523;
206/225, 233, 389, 391, 812, 824; 211/13.1,
211/45; 222/173, 180; 221/26, 33, 282-283;
224/925; 242/570, 590; 248/309.1, 309.2,
248/905; D12/17, 19

See application file for complete search history.

(56) **References Cited**

U.S. PATENT DOCUMENTS

D99,916 S	*	6/1936	Smith	D9/638
D199,418 S	*	10/1964	Katz	D9/609
D314,107 S	*	1/1991	Lewis et al.	D6/518
D384,274 S	*	9/1997	Tolpin	D9/604
D422,170 S	*	4/2000	Harris, Jr.	D6/521
D438,817 S	*	3/2001	Reaver	D11/157
6,405,972 B1	*	6/2002	Wakam	242/590
D463,716 S	*	10/2002	Seater	D9/608
D467,106 S		12/2002	Bohay	D6/523
D468,459 S	*	1/2003	Yu	D26/26
D478,753 S	*	8/2003	Hall et al.	D6/523
D483,584 S		12/2003	Perfetto	D6/523
D489,641 S	*	5/2004	Puntch	D11/160
D503,018 S	*	3/2005	Shih	D9/601
D504,052 S	*	4/2005	Wang	D7/628

OTHER PUBLICATIONS

Two pages from www.bearfamilygifts.com web site prior to Mar. 1, 2004.

* cited by examiner

Primary Examiner—Brian N Vinson
(74) *Attorney, Agent, or Firm*—Pedersen & Co., PLLC;
Ken J. Pedersen; Barbara S. Pedersen

(57) **CLAIM**

The ornamental design for a decorative lighthouse paper roll holder, as shown and described.

DESCRIPTION

FIG. 1 is a front perspective view of one embodiment of the invented design for a decorative lighthouse paper roll holder. FIG. 2 is a right side view of the embodiment shown in FIG. 1.

FIG. 3 is a top view of the embodiment shown in FIG. 1. FIG. 4 is a left side view of the embodiment shown in FIG. 1.

FIG. 5 is a front view of the embodiment shown in FIG. 1. FIG. 6 is a rear view of the embodiment shown in FIG. 1. FIG. 7 is a bottom view of the embodiment shown in FIG. 1.

FIG. 8 is a front perspective view of an embodiment of the invented design for a decorative lighthouse paper roll holder, including a taller paper roll.

FIG. 9 is a right side view of the embodiment shown in FIG. 8.

FIG. 10 is a top view of the embodiment shown in FIG. 8. FIG. 11 is a left side view of the embodiment shown in FIG. 8.

FIG. 12 is a front view of the embodiment shown in FIG. 8. FIG. 13 is a rear view of the embodiment shown in FIG. 8. FIG. 14 is a bottom view of the embodiment shown in FIG. 8.

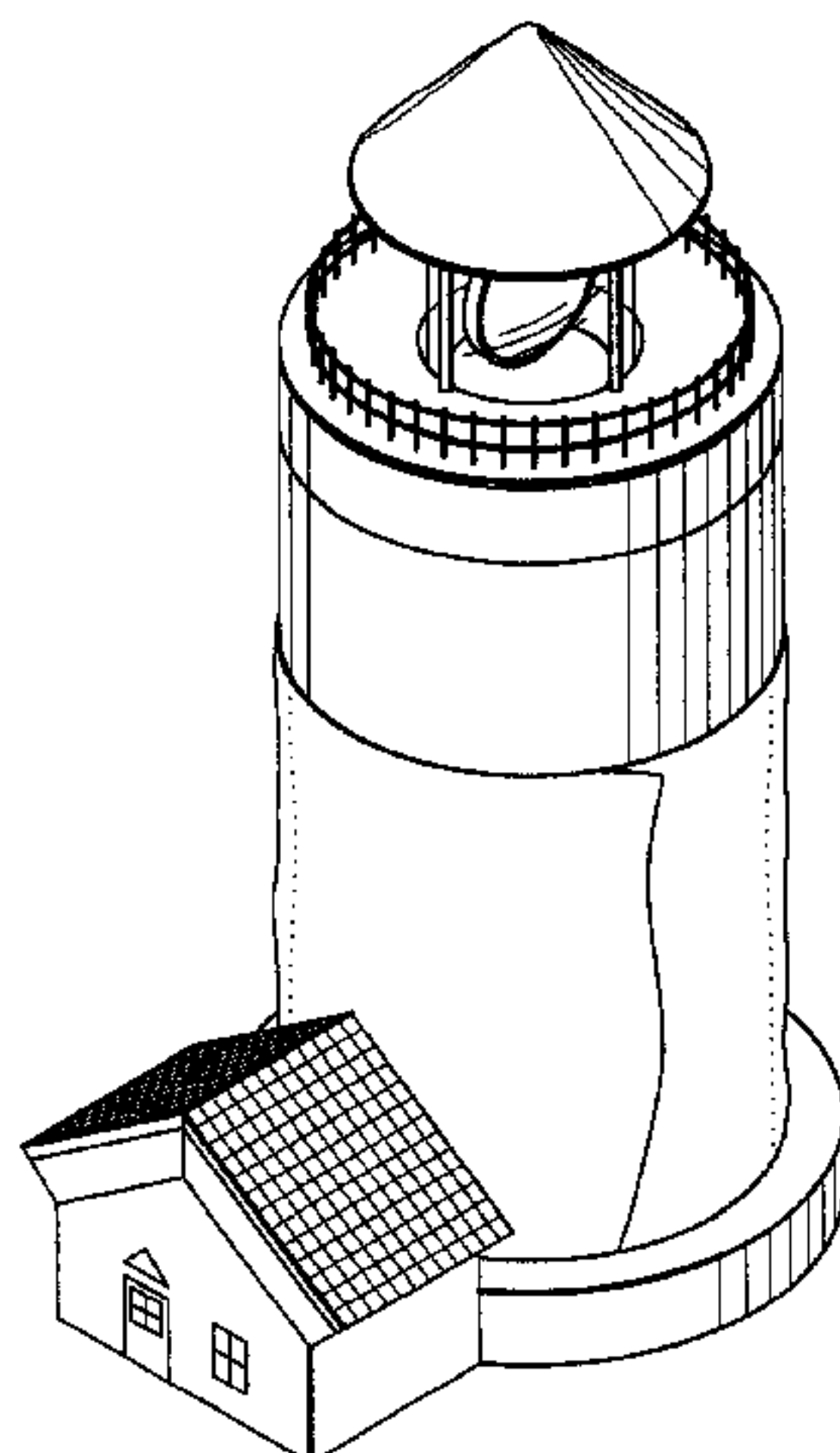
FIG. 15 is a front view of the embodiment shown in FIG. 1, wherein the paper roll is shown in dashed lines as background and is not part of the invented design.

FIG. 16 is a front view of the embodiment shown in FIG. 8, wherein the paper roll is shown in dashed lines as background and is not part of the invented design.

FIG. 17 is a front view of the embodiment shown in FIG. 15, wherein a supporting post is added between the top and bottom portions of the decorative lighthouse paper roll holder; and,

FIG. 18 is a front view of the embodiment shown in FIG. 16, wherein a supporting post is added between the top and bottom portions of the decorative lighthouse paper roll holder.

1 Claim, 8 Drawing Sheets



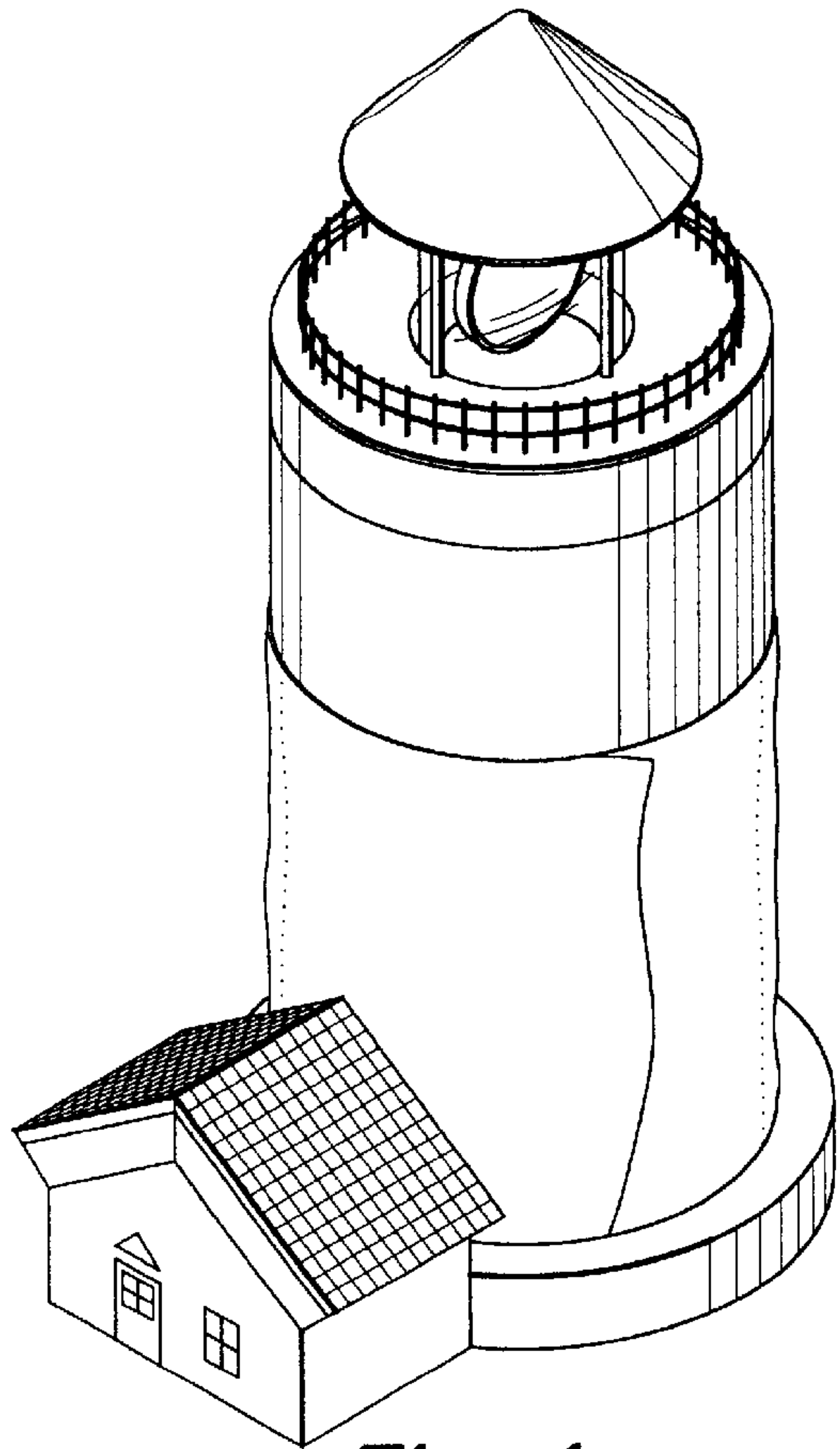


Fig. 1

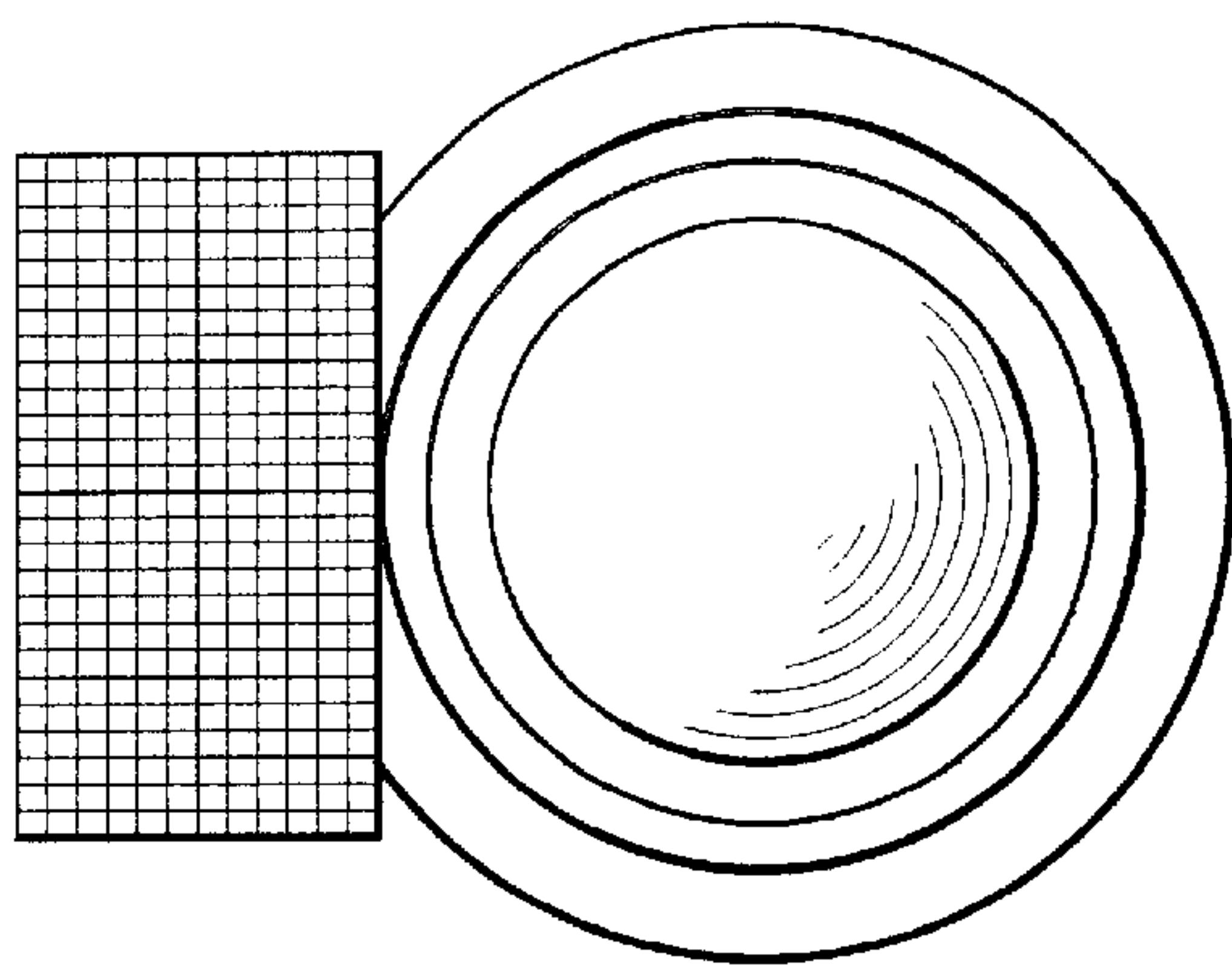


Fig. 3

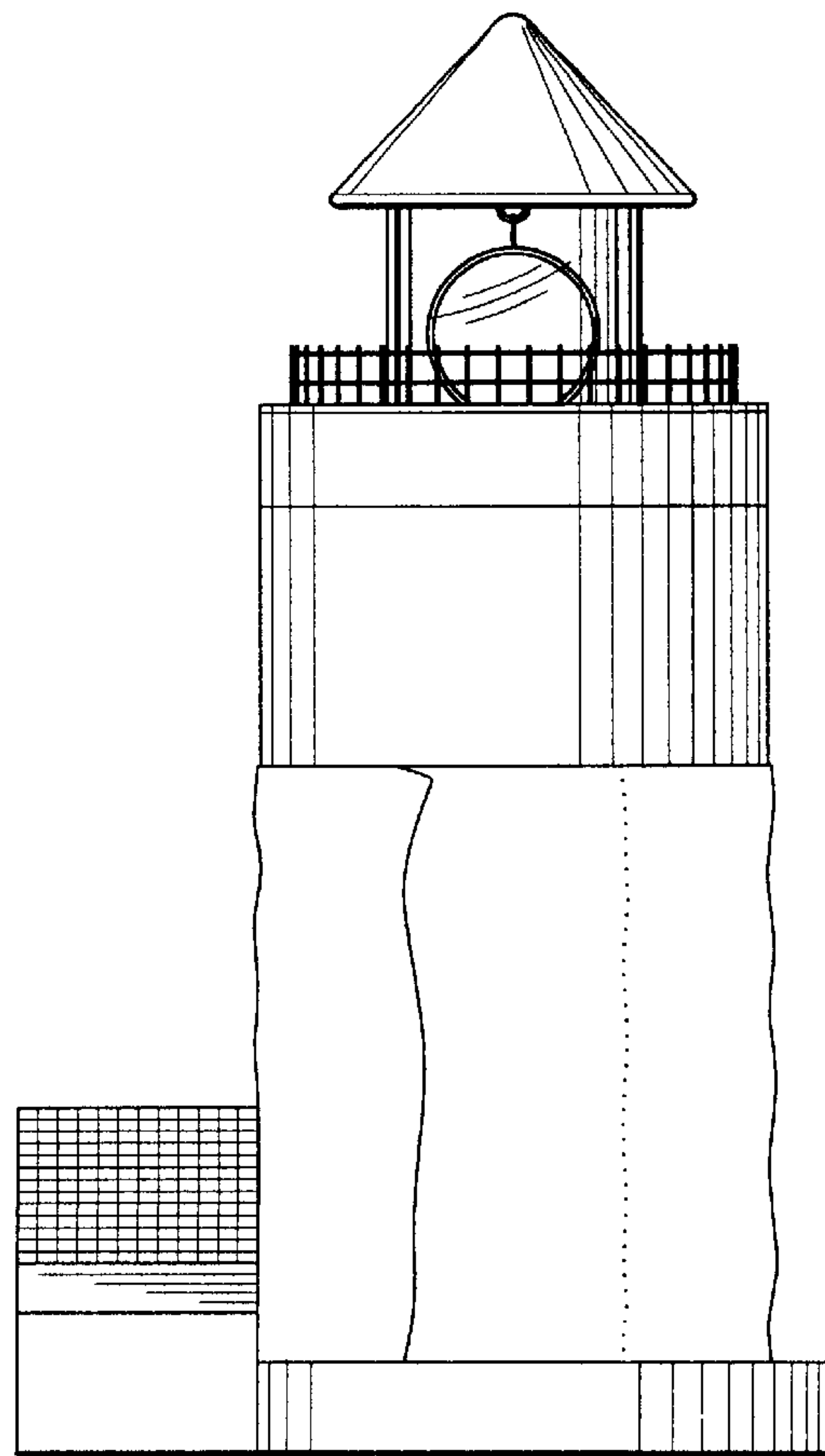


Fig. 2

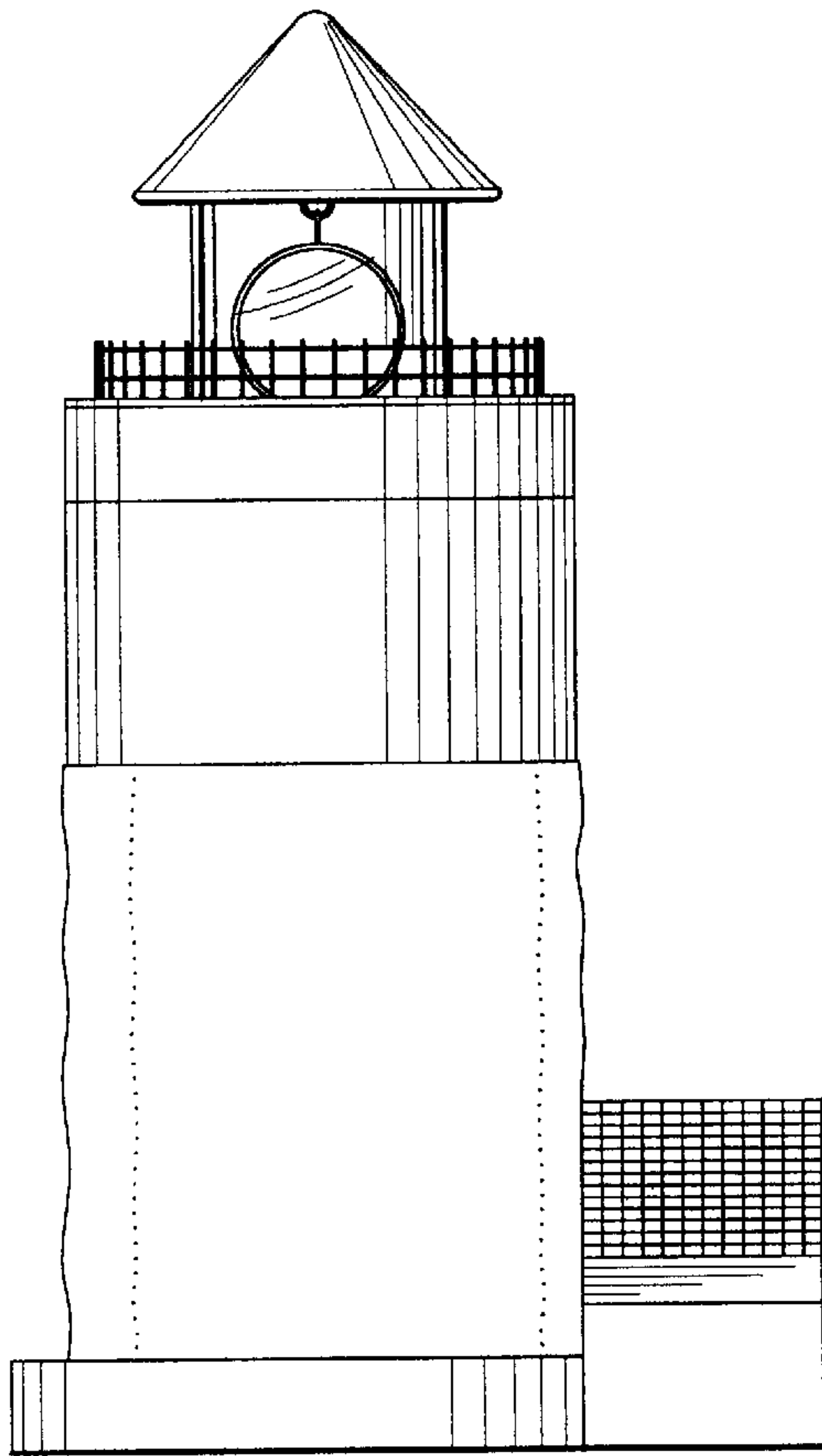


Fig. 4

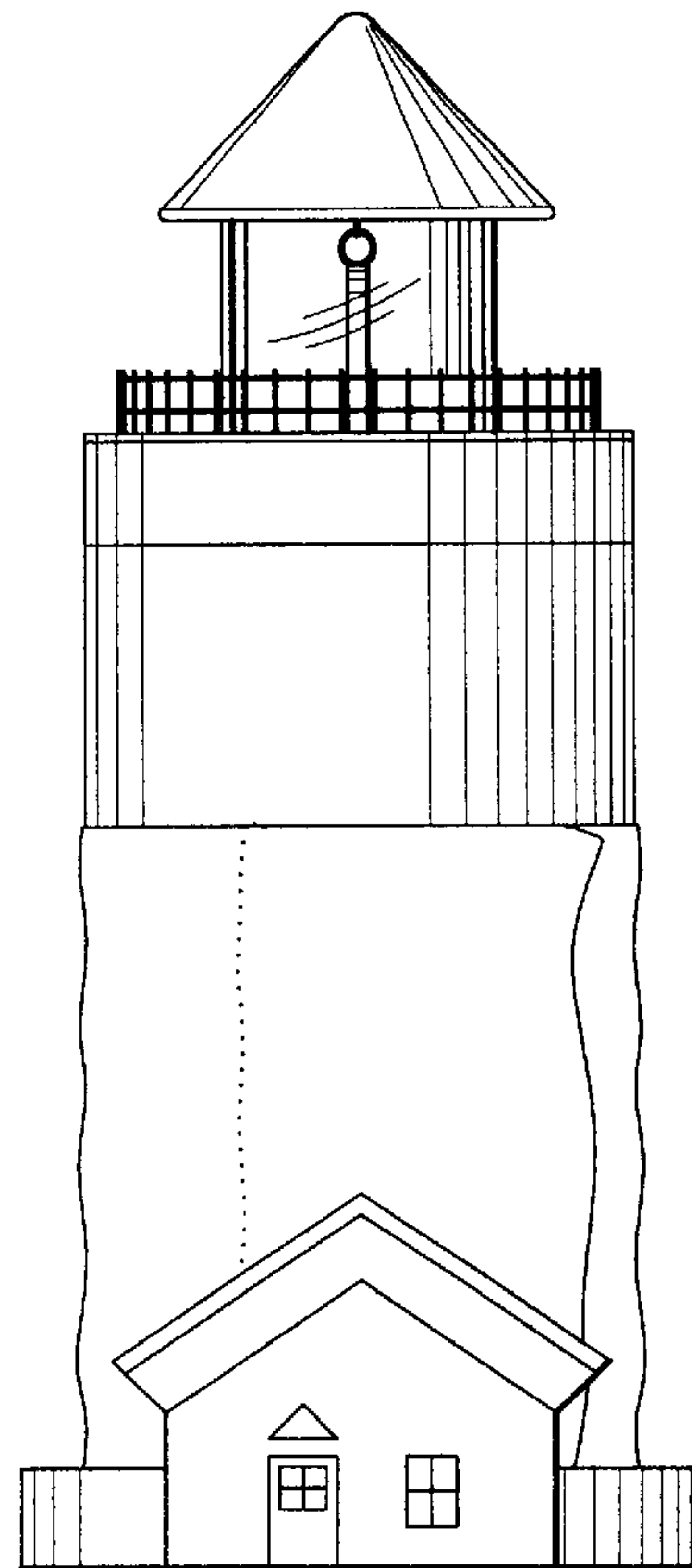


Fig. 5

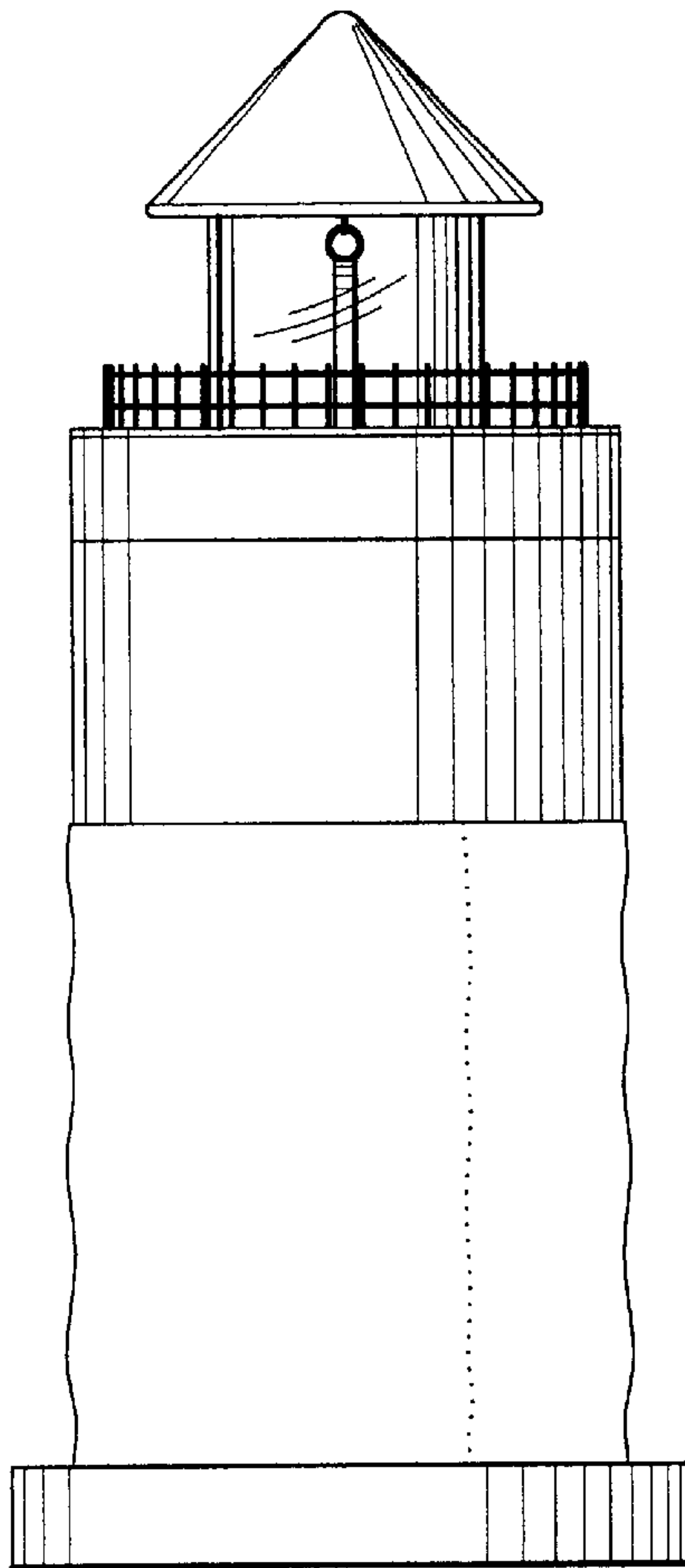


Fig. 6

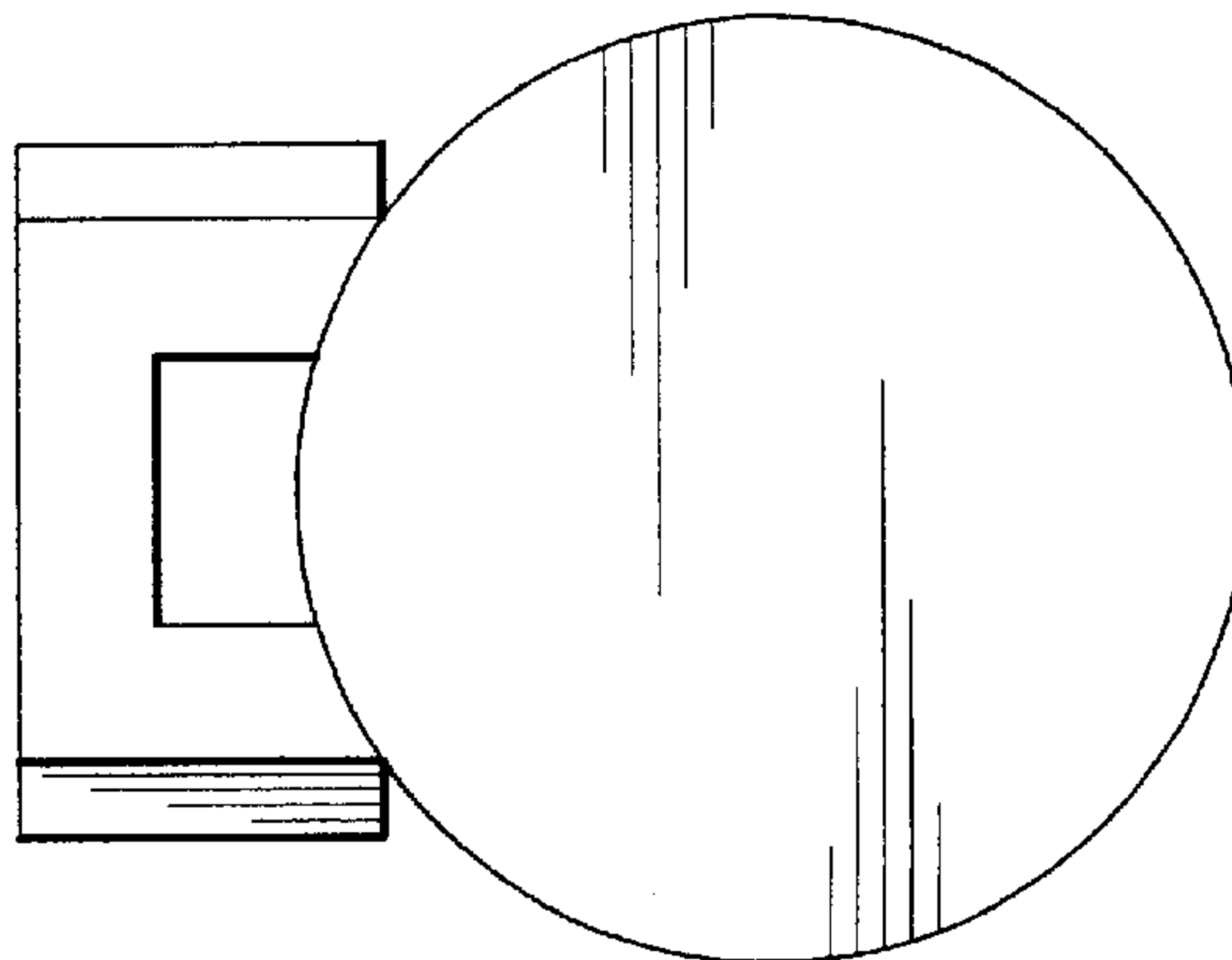


Fig. 7

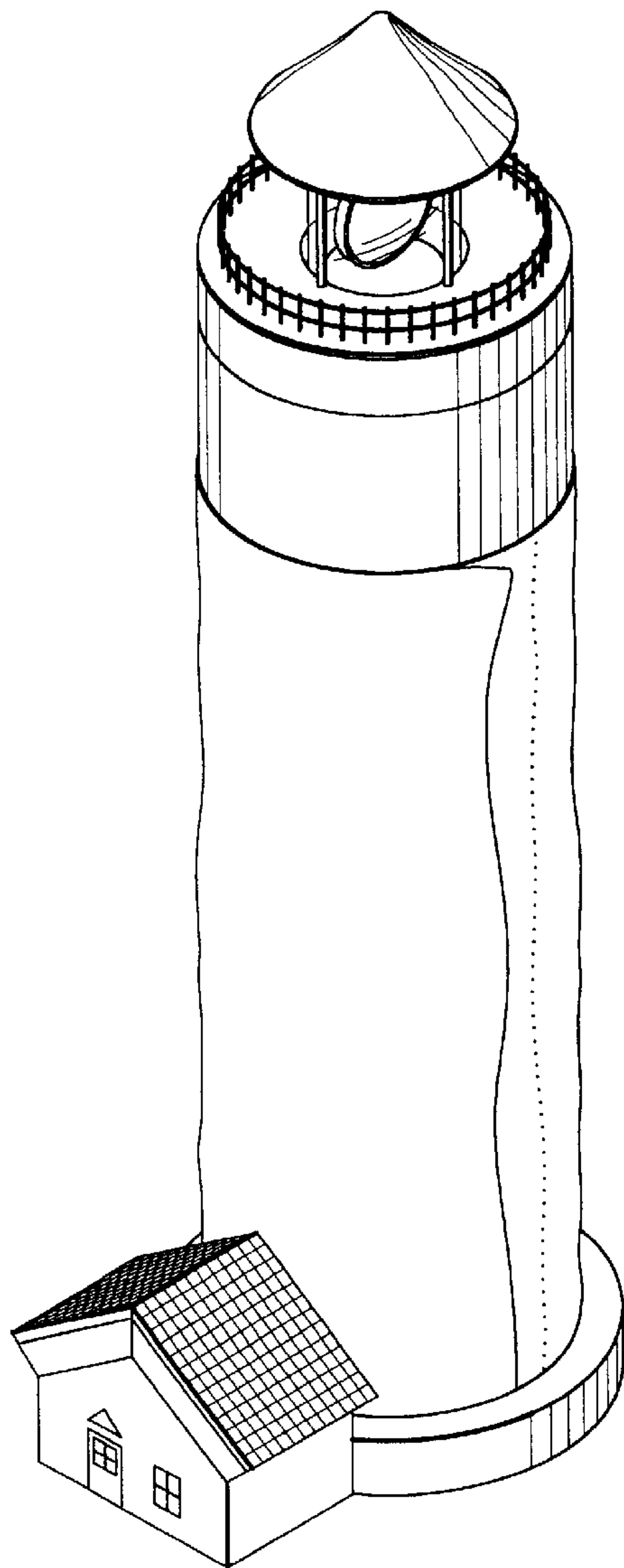


Fig. 8

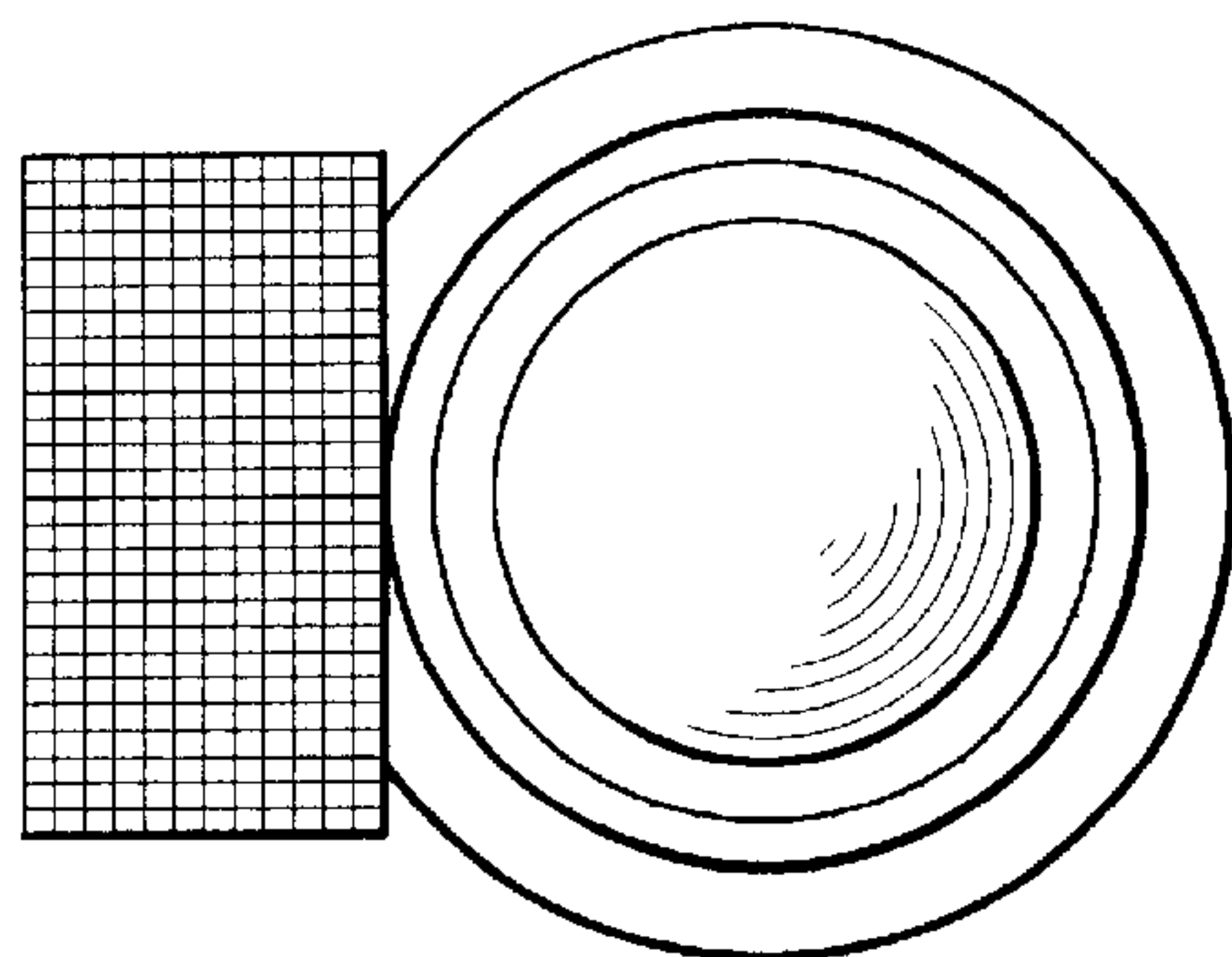


Fig. 10

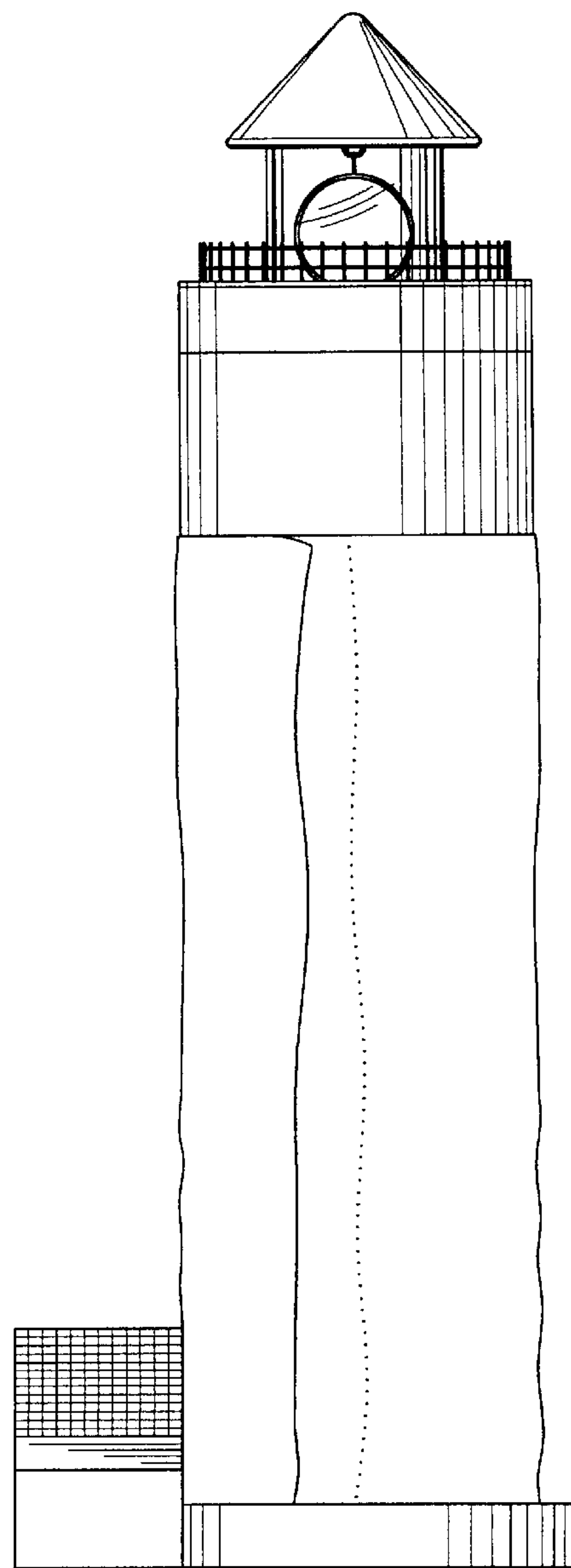


Fig. 9

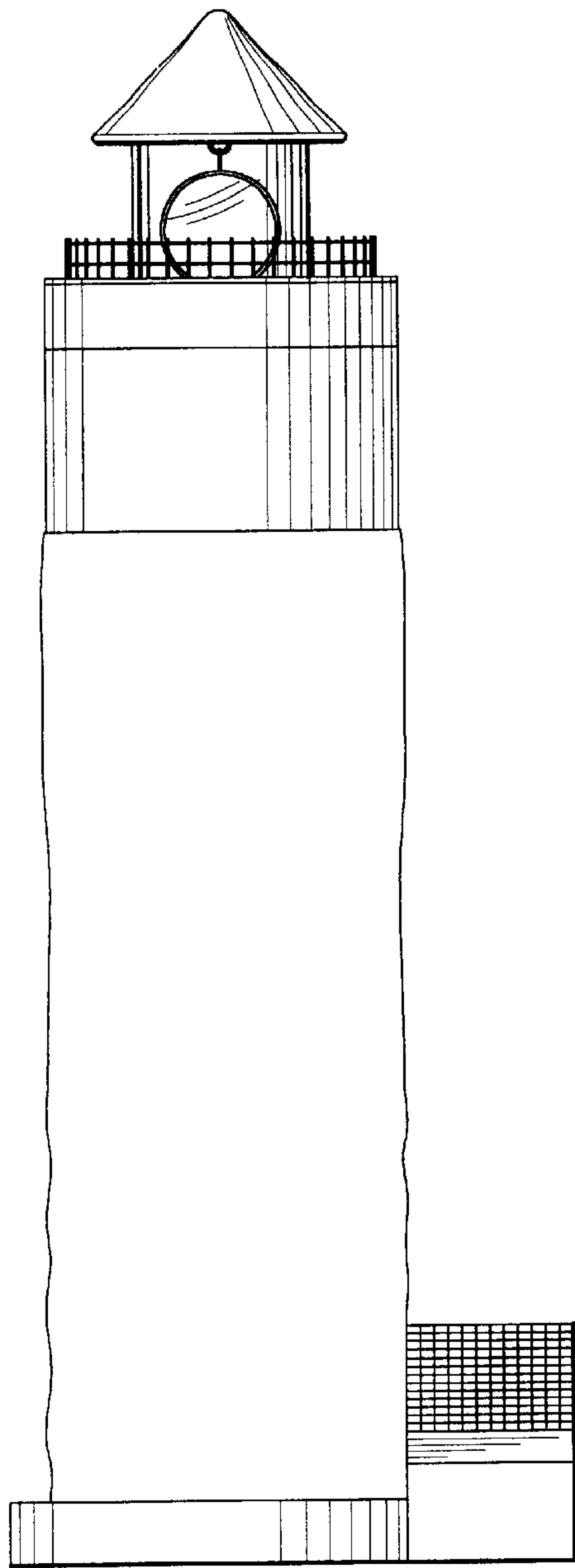


Fig. 11

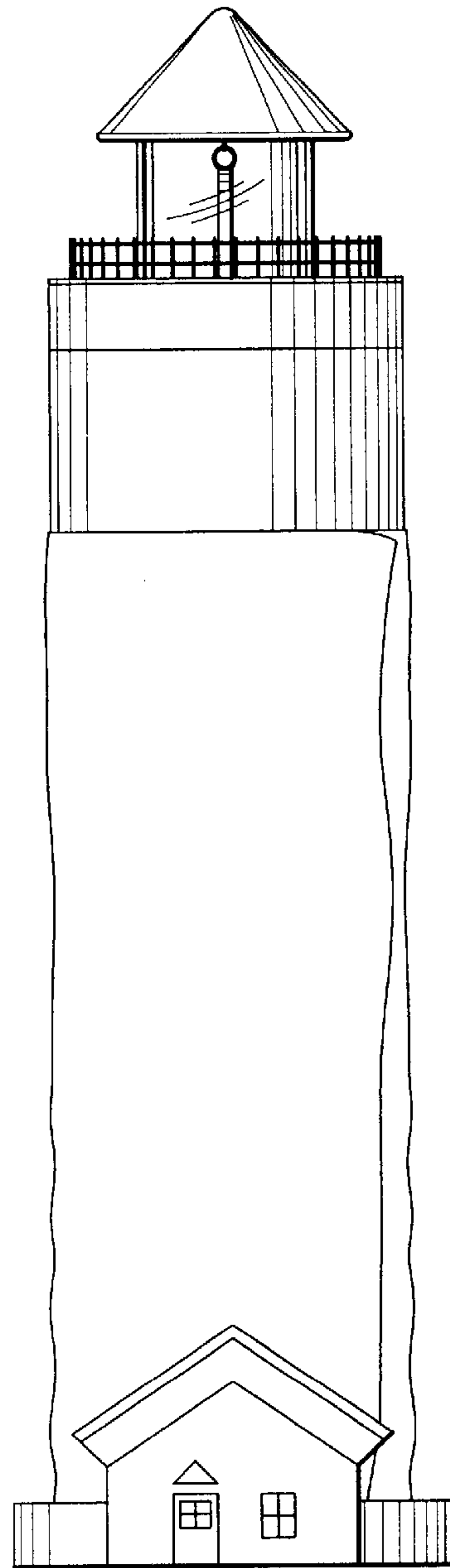


Fig. 12

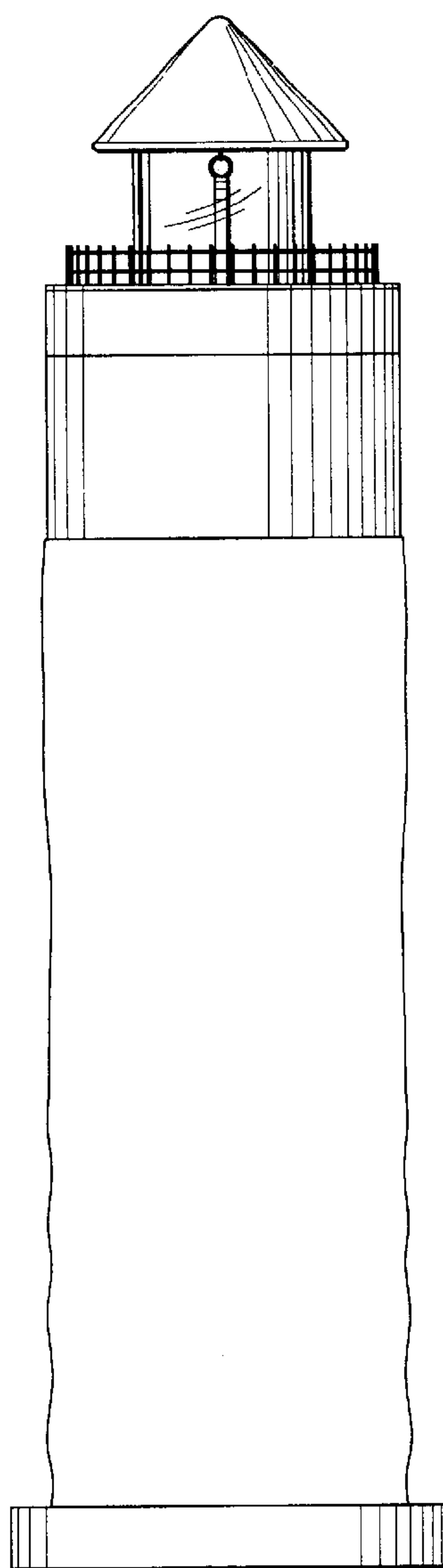


Fig. 13

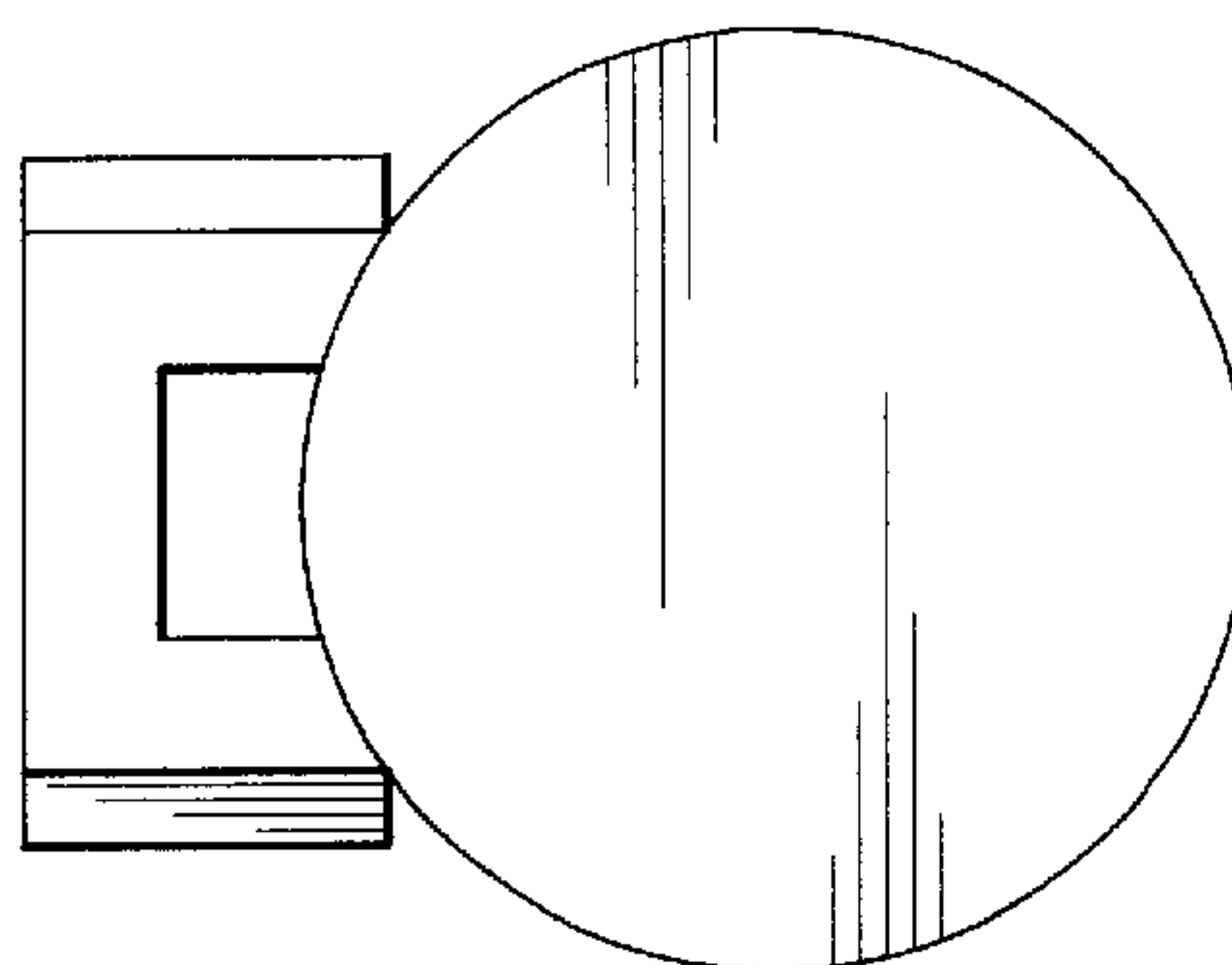


Fig. 14

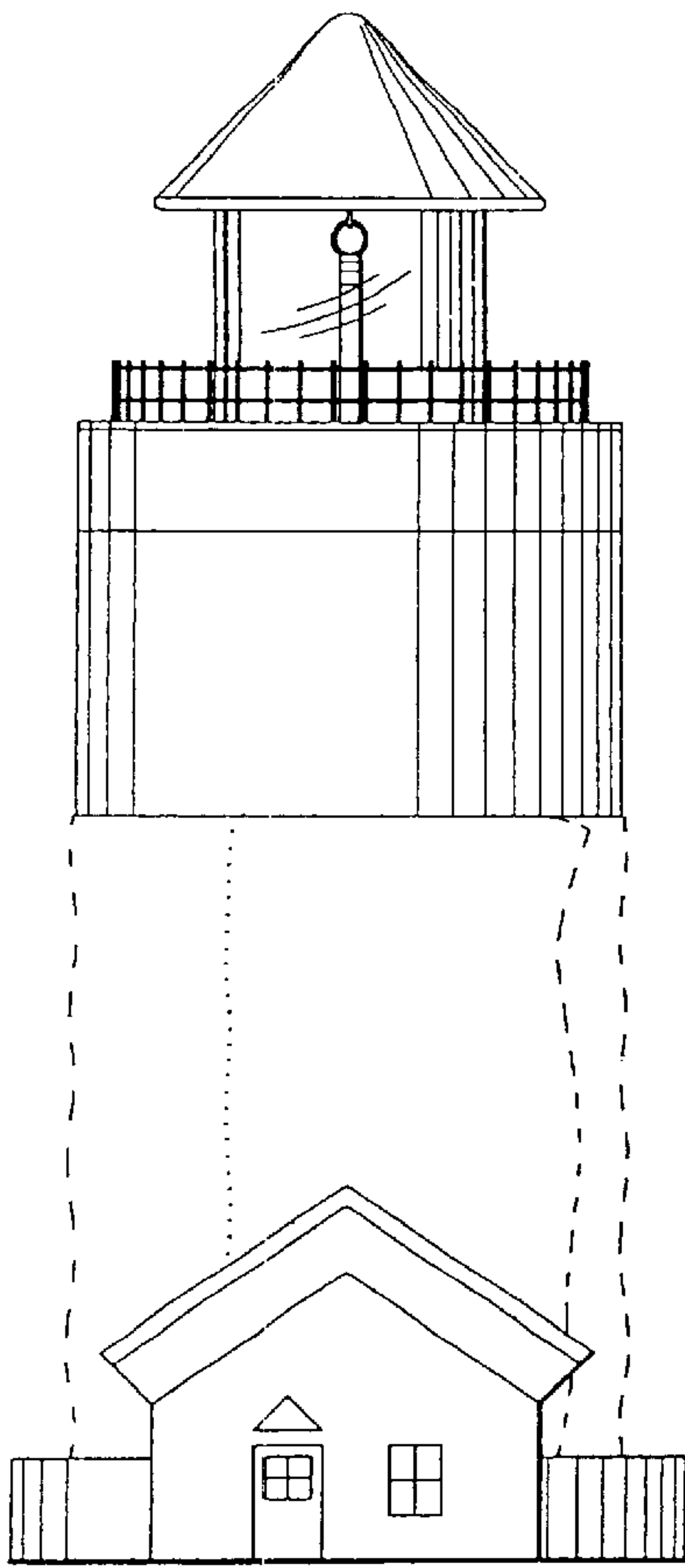


Fig. 15

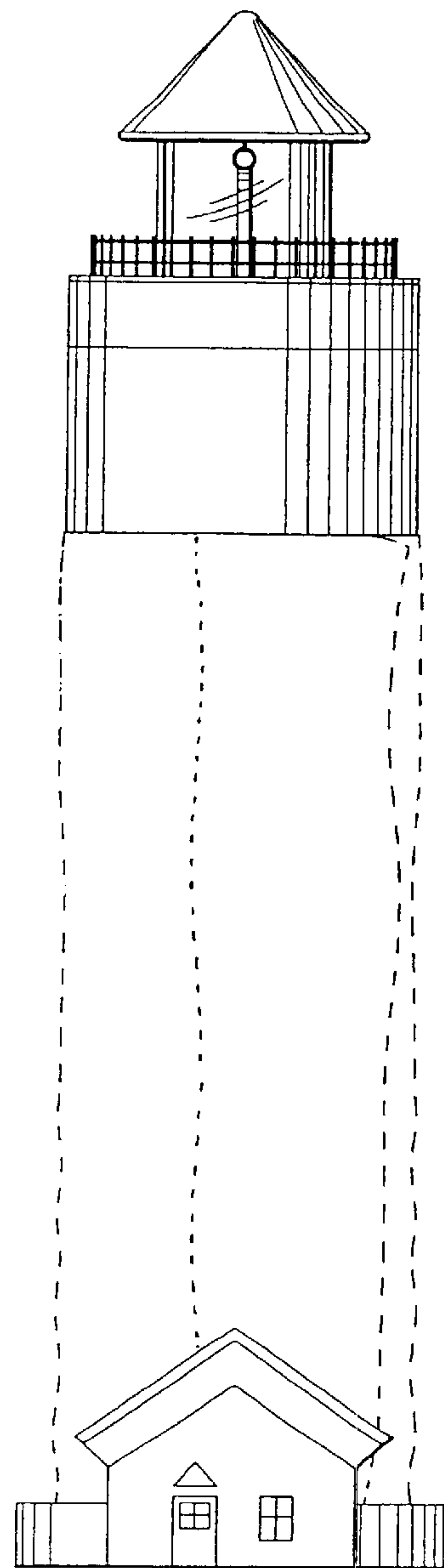


Fig. 16

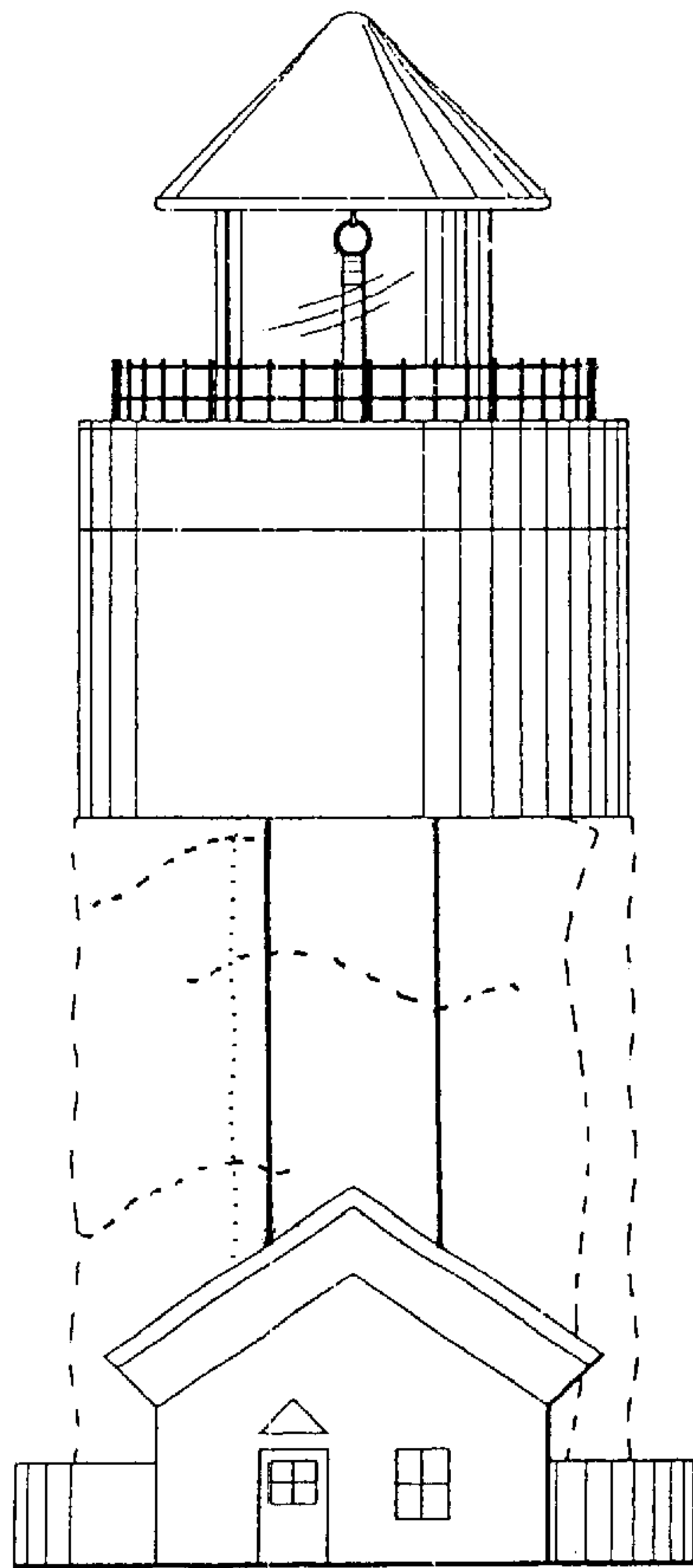


Fig. 17

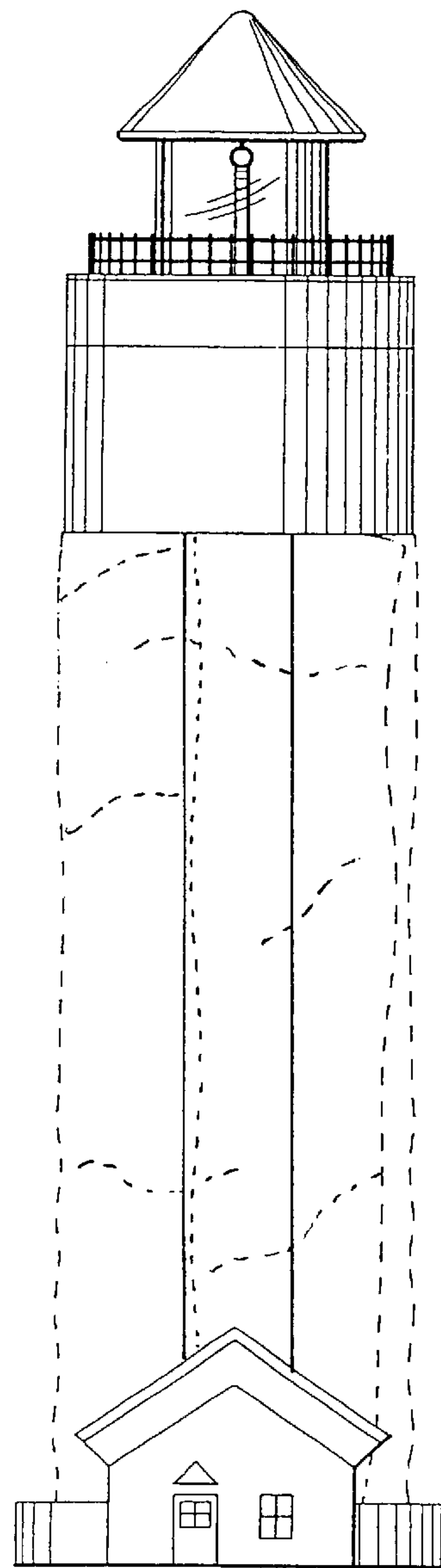


Fig. 18