



US00D523672S

(12) **United States Design Patent**
Yang et al.

(10) **Patent No.:** **US D523,672 S**
(45) **Date of Patent:** **** Jun. 27, 2006**

(54) **PAPER TOWEL HOLDER**
(75) Inventors: **Frank Yang**, Rancho Palos Verdes, CA
(US); **Myk Wayne Lum**, Irvine, CA
(US); **Tzu-Hao Wei**, Hacienda Heights,
CA (US)

(73) Assignee: **Simplehuman LLC**, Los Angeles, CA
(US)

(**) Term: **14 Years**

(21) Appl. No.: **29/235,379**

(22) Filed: **Aug. 1, 2005**

(51) **LOC (8) Cl.** **20-20**

(52) **U.S. Cl.** **D6/521**

(58) **Field of Classification Search** D6/518–523;
206/389, 391; 211/13.1, 59.1, 45, 89.01;
242/570, 590, 597, 597.7, 130.2; 248/309.1,
248/309.2

See application file for complete search history.

(56) **References Cited**

U.S. PATENT DOCUMENTS

D298,597 S * 11/1988 Bell D6/521
D432,828 S * 10/2000 Snell D6/522
D474,360 S * 5/2003 Yip D6/521

D479,072 S * 9/2003 Duncan et al. D6/521
D489,558 S * 5/2004 Snell D6/521
D499,916 S * 12/2004 Yang et al. D6/521
D507,716 S * 7/2005 Snow et al. D6/521
2004/0104300 A1 6/2004 Friesen
2004/0140389 A1 7/2004 Moratto
2004/0159738 A1 8/2004 Duncan et al.
2004/0195429 A1 10/2004 Demers et al.

* cited by examiner

Primary Examiner—Brian N Vinson

(74) *Attorney, Agent, or Firm*—Raymond Sun

(57) **CLAIM**

The ornamental design for a paper towel holder, as shown and described.

DESCRIPTION

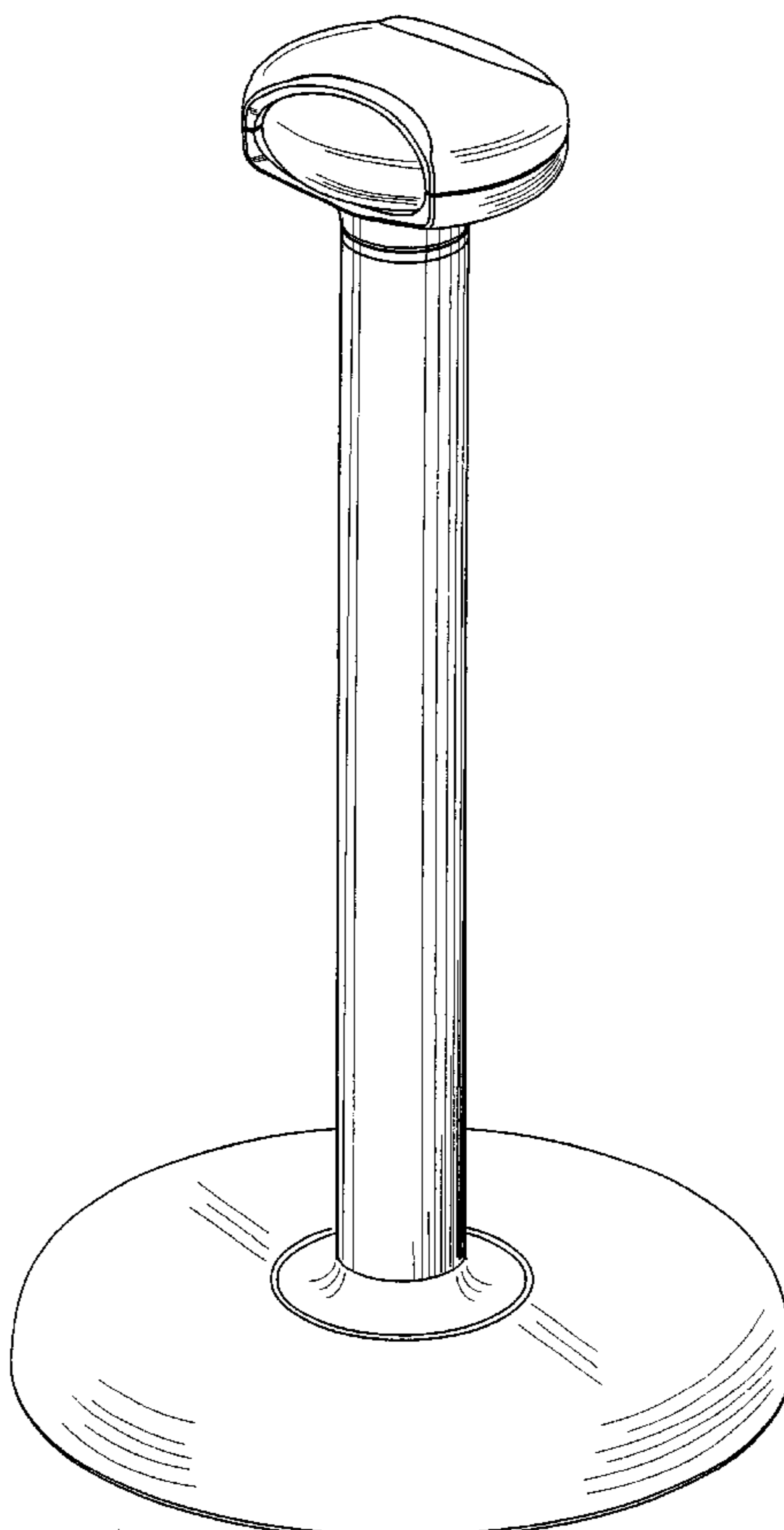
FIG. 1 is a perspective view of a paper towel holder showing my new design.

FIG. 2 is a top plan view of the paper towel holder of FIG. 1.

FIG. 3 is a side plan view of the paper towel holder of FIG. 1; the other side view being symmetrical; and,

FIG. 4 is a front plan view of the paper towel holder of FIG. 1; the rear view being symmetrical.

1 Claim, 4 Drawing Sheets



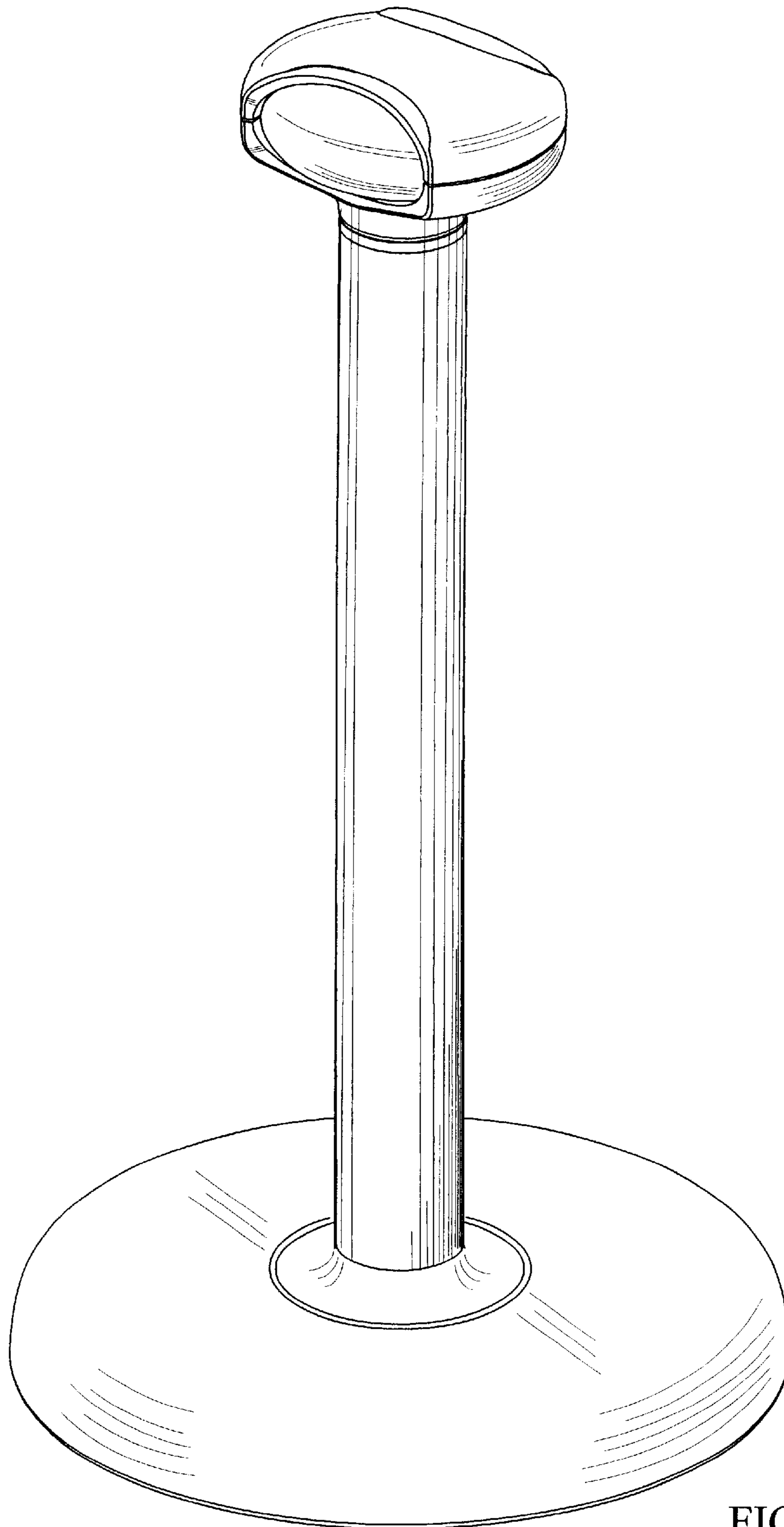


FIG. 1

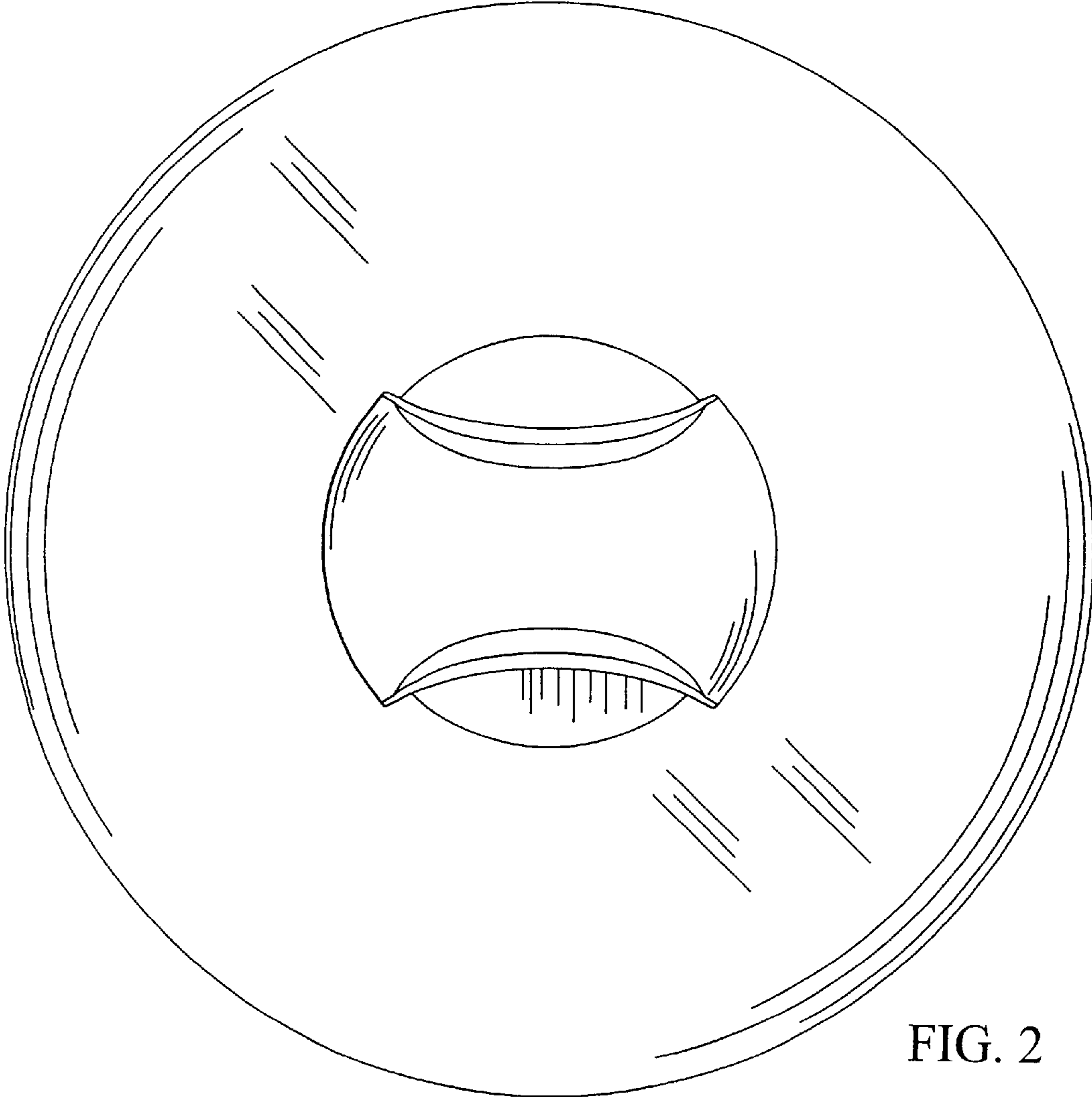


FIG. 2

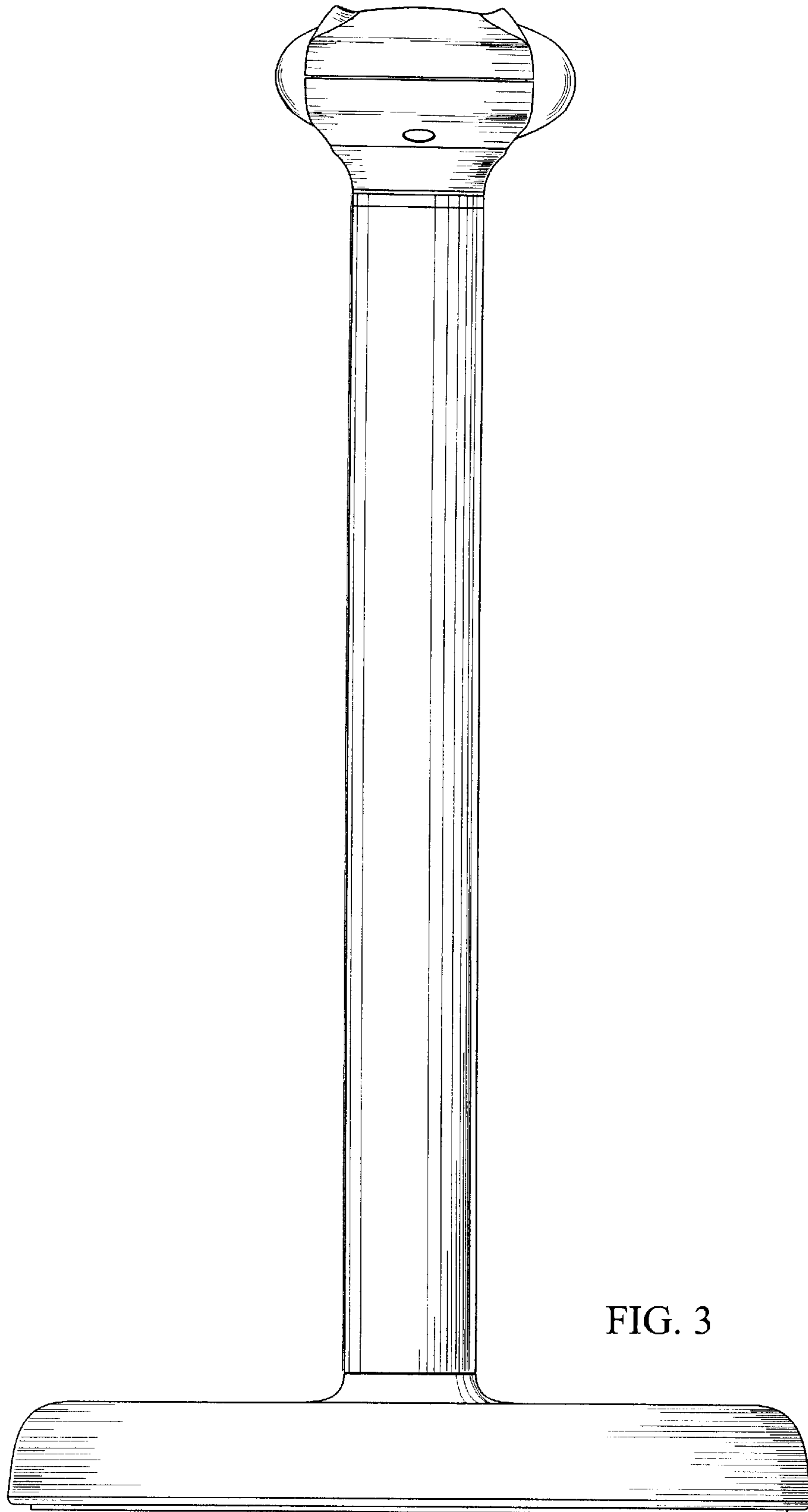


FIG. 3

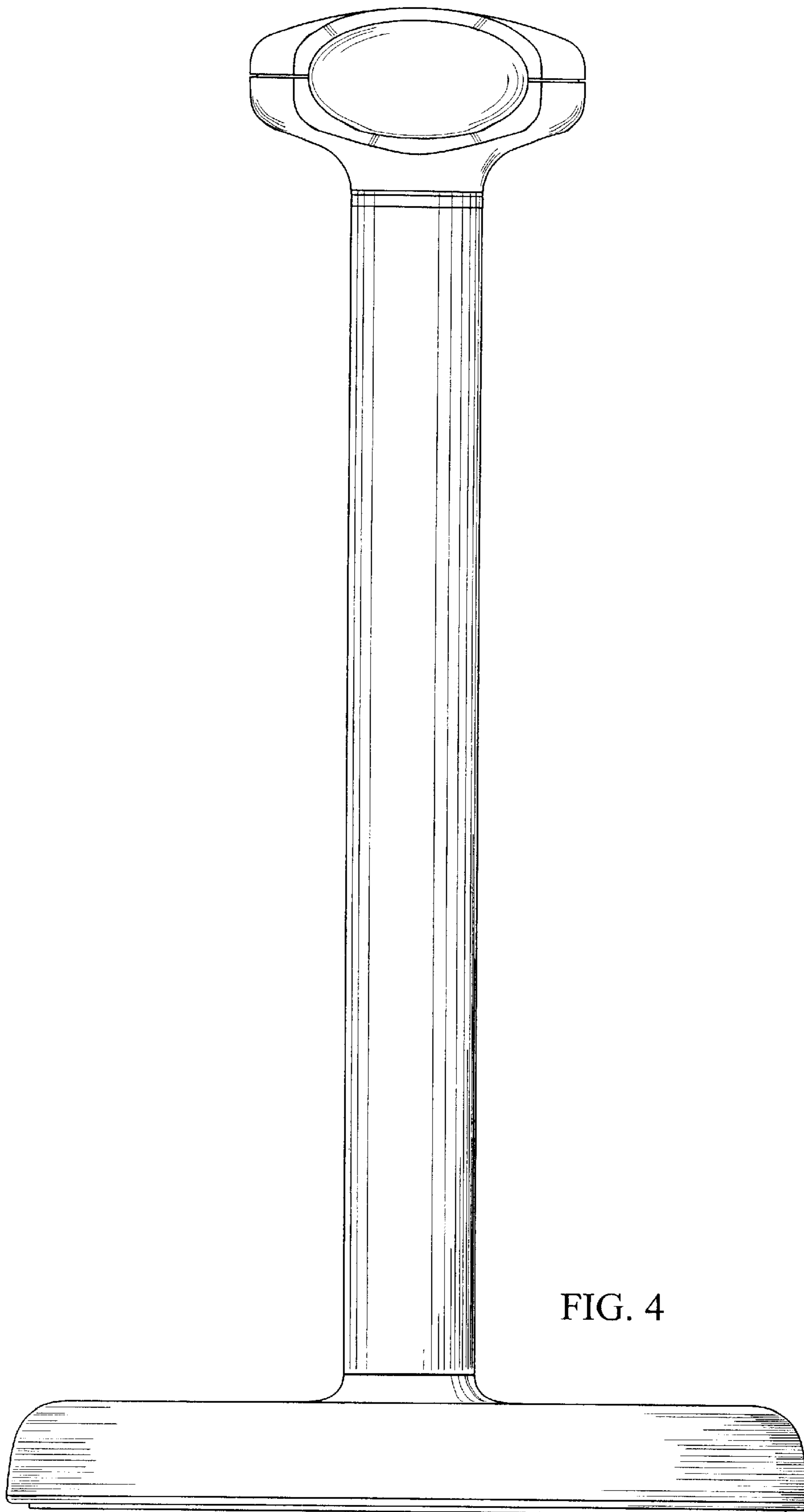


FIG. 4