

US00D523668S

(12) **United States Design Patent**  
**Azrak**

(10) **Patent No.:** **US D523,668 S**  
(45) **Date of Patent:** **\*\* Jun. 27, 2006**

(54) **DECORATIVE WIPES DISPENSING PACKAGE**

(75) Inventor: **Marvin Azrak**, New York, NY (US)  
(73) Assignee: **Wego, LLC**, New York, NY (US)  
(\*\*) Term: **14 Years**

(21) Appl. No.: **29/215,507**  
(22) Filed: **Oct. 20, 2004**

(51) **LOC (8) Cl.** ..... **20-02**  
(52) **U.S. Cl.** ..... **D6/518**  
(58) **Field of Classification Search** ..... D6/515-523;  
206/225, 233, 389, 391, 812, 824; 211/13.1,  
211/45; 222/173, 180; 221/26, 33, 282-283;  
224/925; 242/570, 590; 248/309.1, 309.2,  
248/905; D12/17, 19

See application file for complete search history.

(56) **References Cited**

**U.S. PATENT DOCUMENTS**

D360,790 S \* 8/1995 Landis et al. .... D6/518  
D420,236 S \* 2/2000 Parkes et al. .... D6/515  
D495,544 S \* 9/2004 Tan ..... D6/515  
D500,617 S \* 1/2005 Azrak ..... D6/515

D511,917 S \* 11/2005 Borchardt et al. .... D6/515

\* cited by examiner

*Primary Examiner*—Brian N Vinson

(74) *Attorney, Agent, or Firm*—Cohen, Pontani, Lieberman & Pavane

(57) **CLAIM**

The ornamental design for a decorative wipes dispensing package, as shown and described.

**DESCRIPTION**

FIG. 1 is an elevated perspective view of a decorative wipes dispensing package, with its pivoted top closed, showing my new design;

FIG. 2 is another elevated perspective view thereof, with its pivoted top open;

FIG. 3 is yet another elevated perspective view thereof, with its pivoted top open and a wipe, shown in phantom, extending outwardly therefrom;

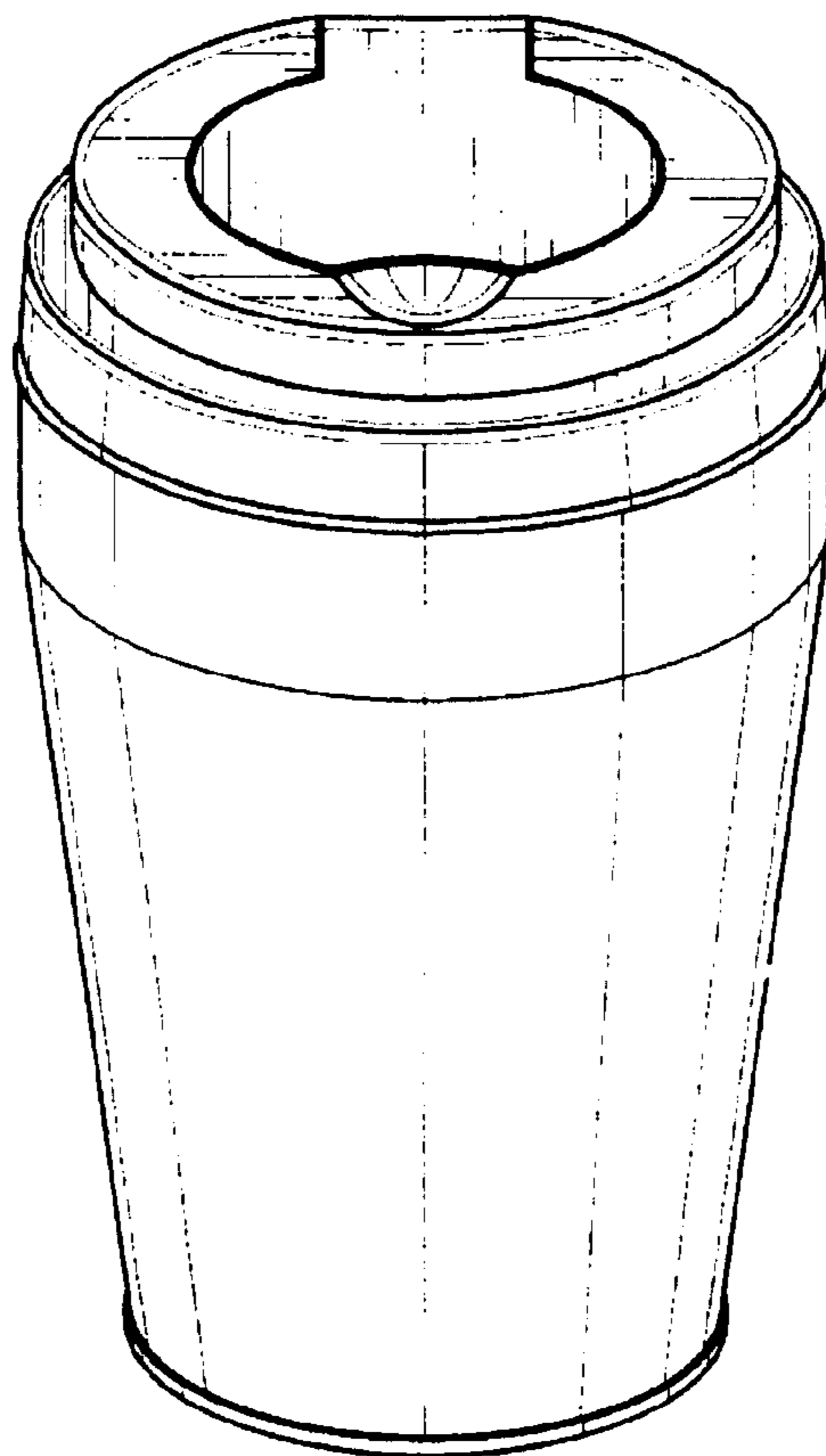
FIG. 4 is a top plan view thereof;

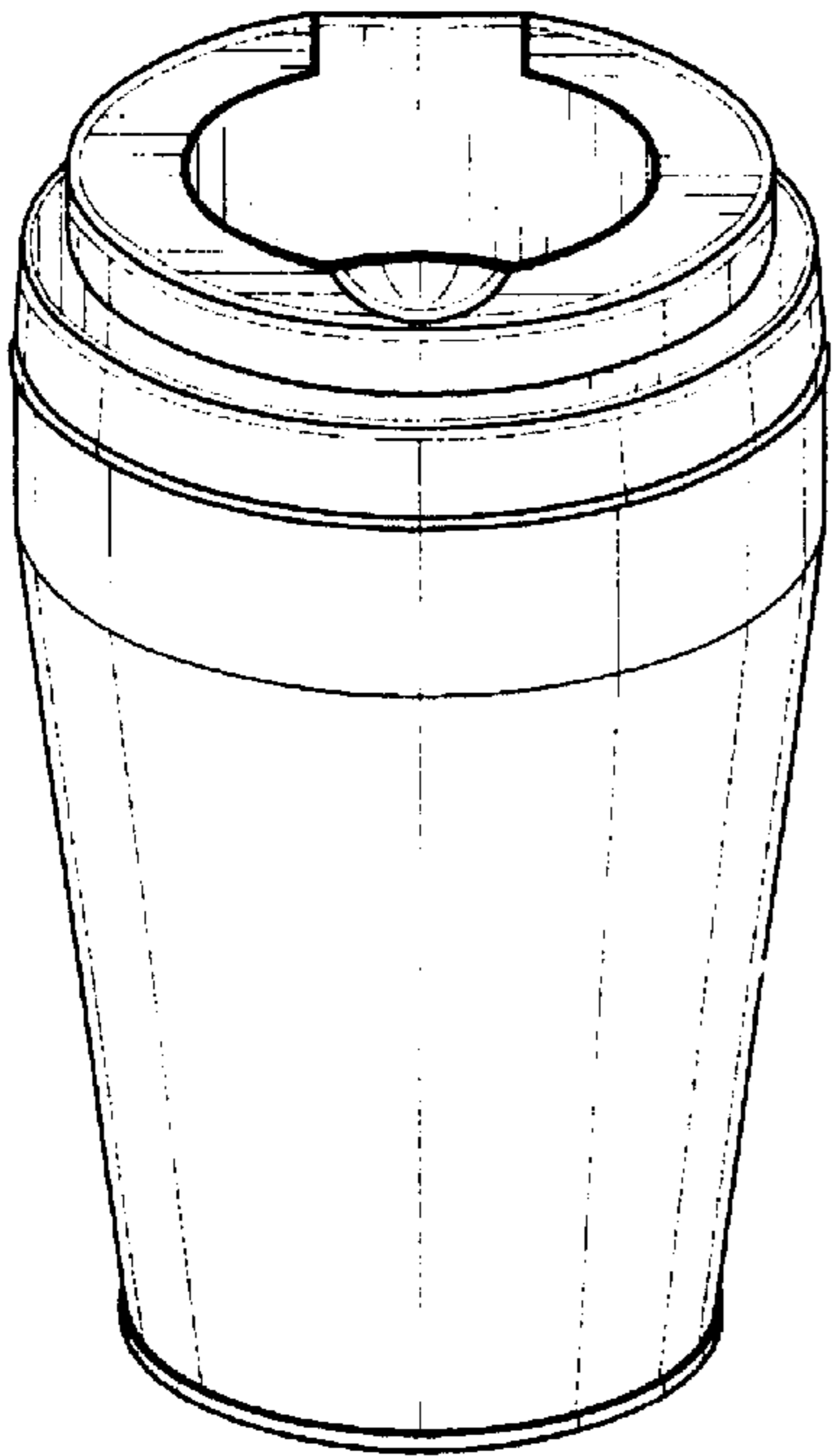
FIG. 5 is a rear view thereof, the left side and right side views being identical thereto;

FIG. 6 is a bottom plan view thereof; and,

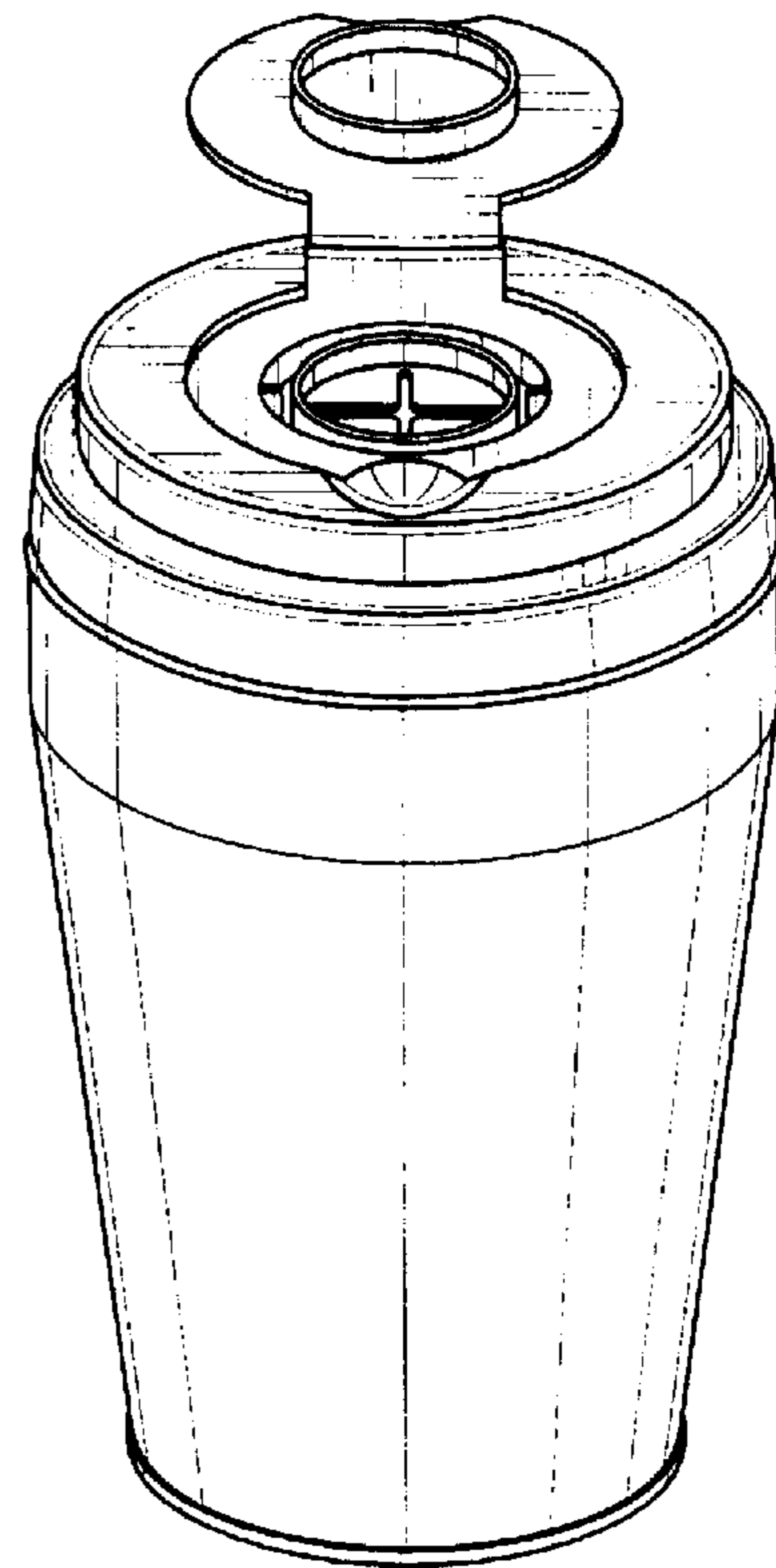
FIG. 7 is a front view thereof.

**1 Claim, 2 Drawing Sheets**

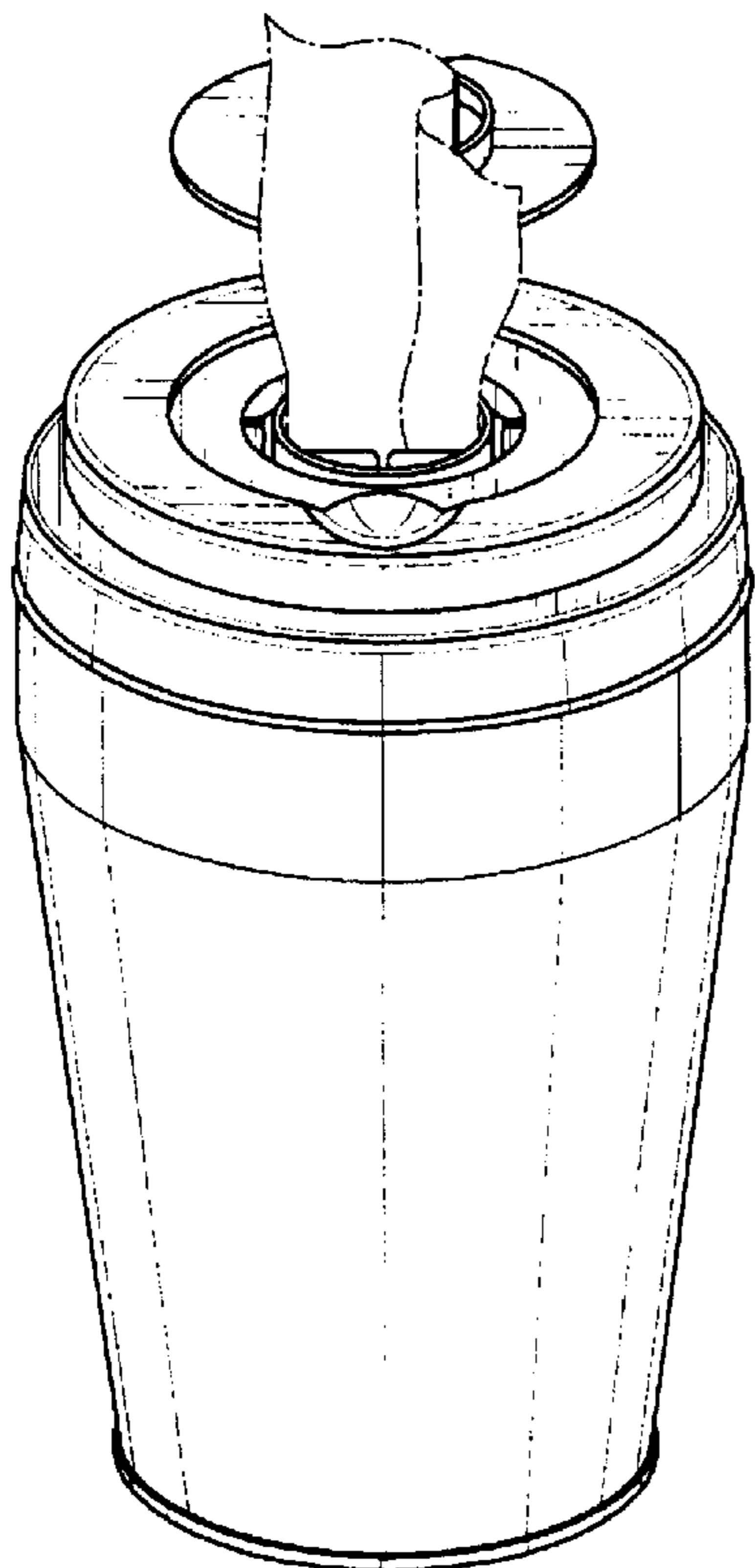




**FIG. 1**

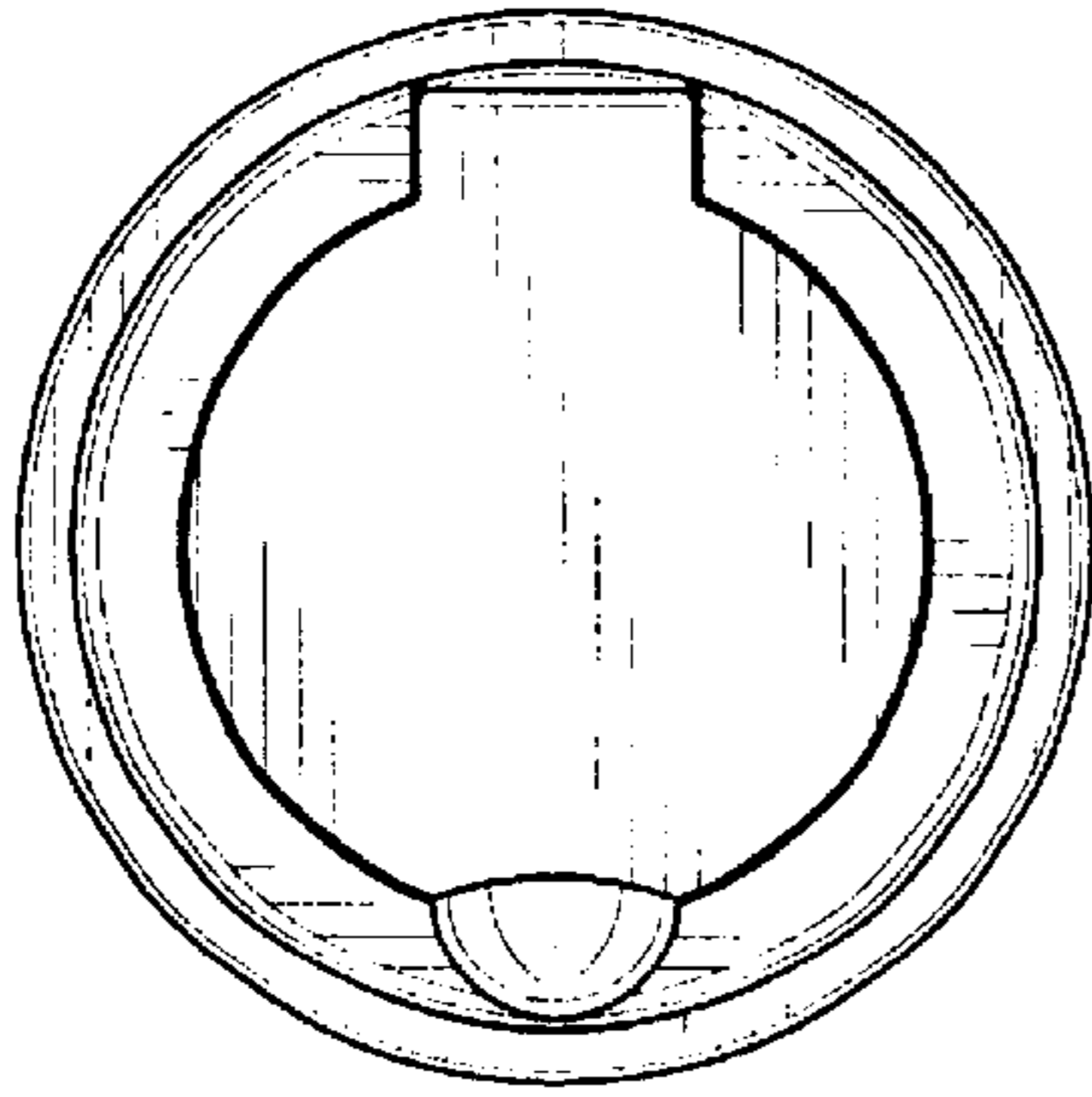


**FIG. 2**

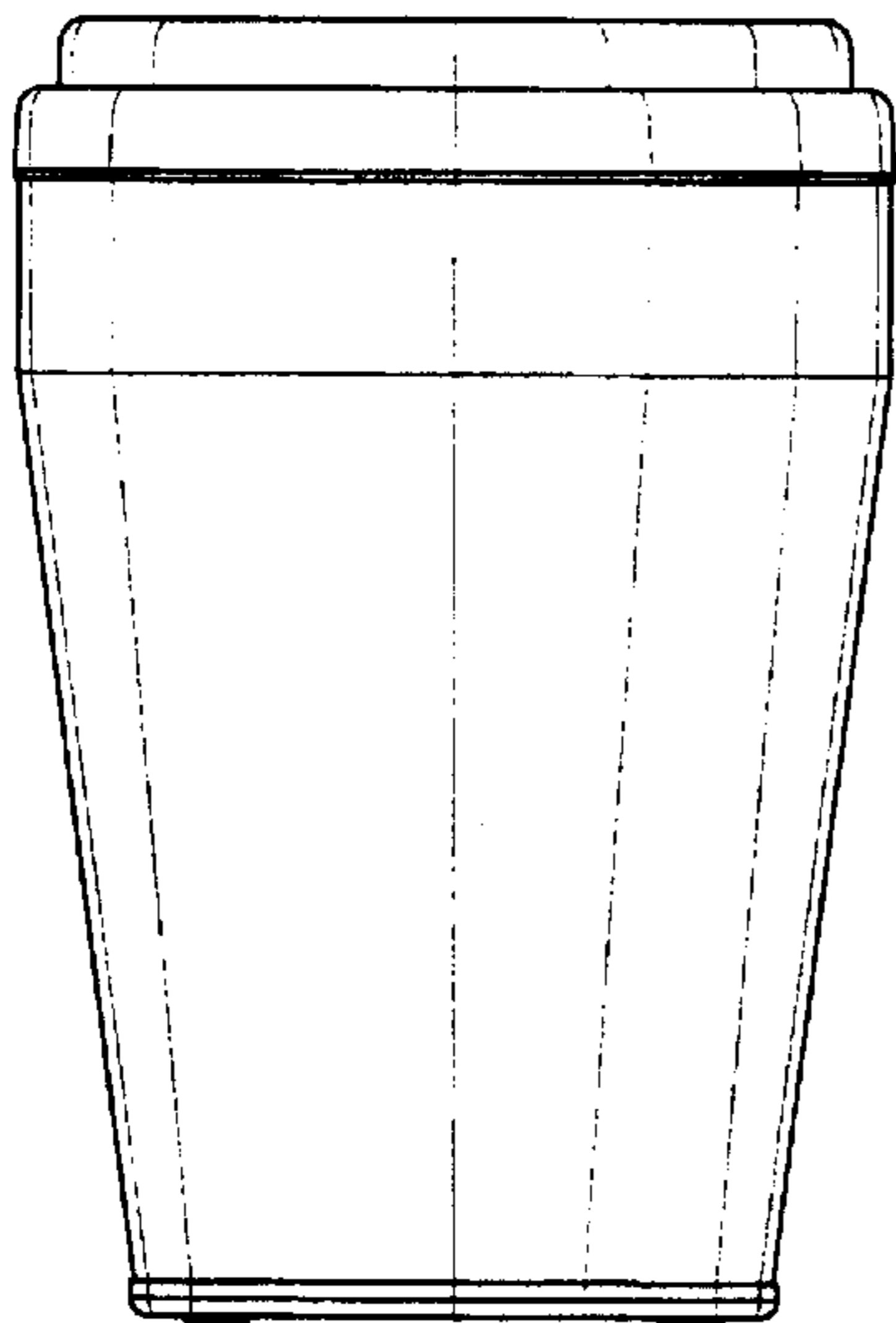


**FIG. 3**

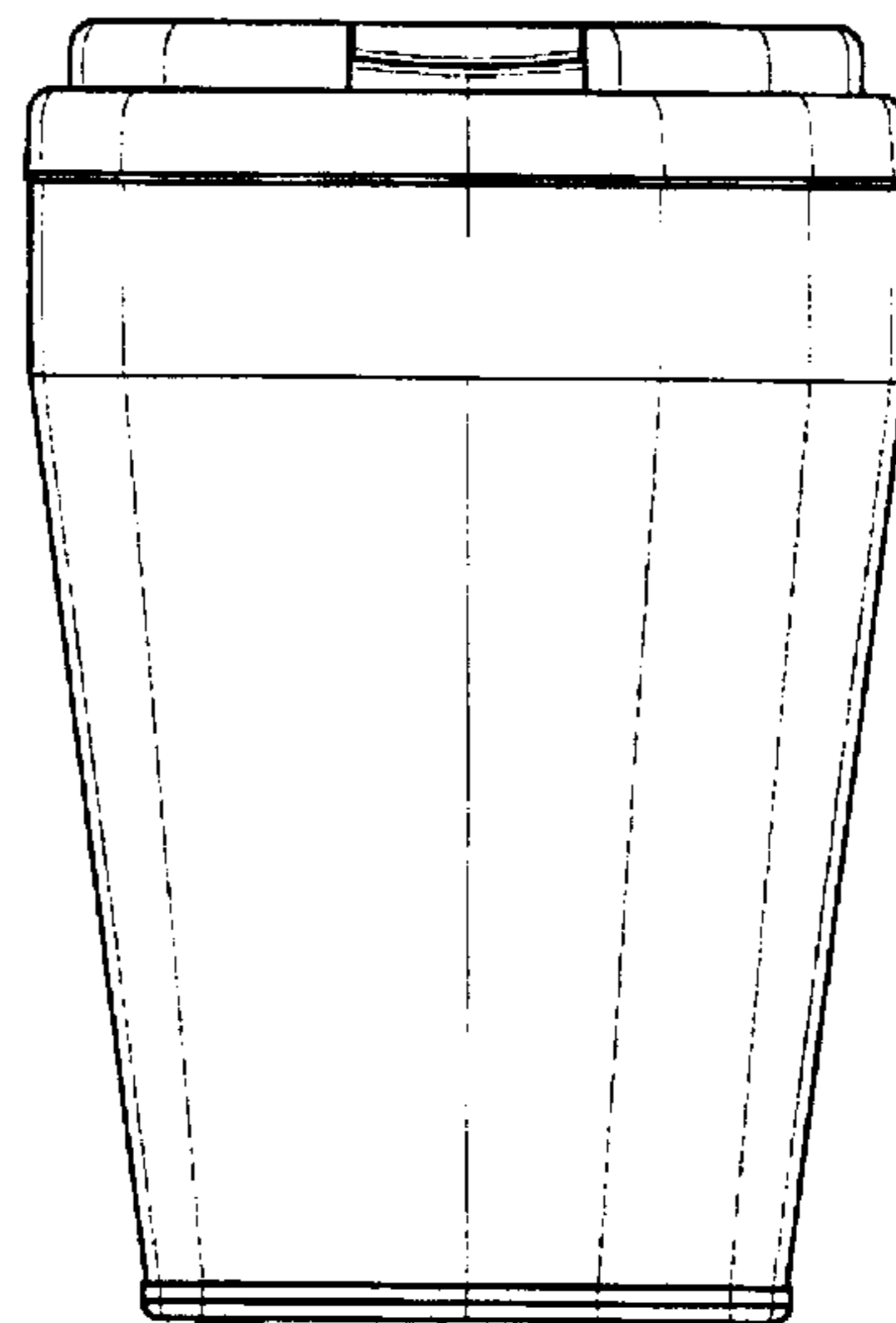
**FIG.4**



**FIG.5**



**FIG.7**



**FIG.6**

