

US00D523667S

(12) **United States Design Patent**  
**Bisson**

(10) **Patent No.:** **US D523,667 S**

(45) **Date of Patent:** **\*\* Jun. 27, 2006**

(54) **CABINET DRAWER**

(75) Inventor: **Serge Bisson**, Saint-Jean-Port-Joli (CA)

(73) Assignee: **Rousseau Metal Inc.**,  
Saint-Jean-Port-Joli (CA)

(\*\*) Term: **14 Years**

(21) Appl. No.: **29/198,188**

(22) Filed: **Jan. 28, 2004**

(51) **LOC (8) Cl.** ..... **06-06**

(52) **U.S. Cl.** ..... **D6/510**

(58) **Field of Classification Search** ..... D6/432,  
D6/441, 445, 446, 510, 511, 336; 312/108,  
312/257.1, 297, 330.1

See application file for complete search history.

(56) **References Cited**

**U.S. PATENT DOCUMENTS**

D149,434 S	*	4/1948	Moberg	.....	D6/446
D263,100 S	*	2/1982	Thompson	.....	D6/432
D263,777 S	*	4/1982	Thompson	.....	D6/448
D275,500 S	*	9/1984	Tyke	.....	D19/76

D278,664 S	*	5/1985	Ferdinand et al.	.....	D6/510
D296,397 S	*	6/1988	Cugley	.....	D6/476
4,861,123 A	*	8/1989	Russell	.....	312/330.1
D388,986 S	*	1/1998	Dittberner et al.	.....	D6/510
D398,795 S	*	9/1998	Zapf	.....	D6/510
D477,479 S	*	7/2003	Henderson et al.	.....	D6/510

\* cited by examiner

*Primary Examiner*—Cathron C. Brooks

(74) *Attorney, Agent, or Firm*—ROBIC

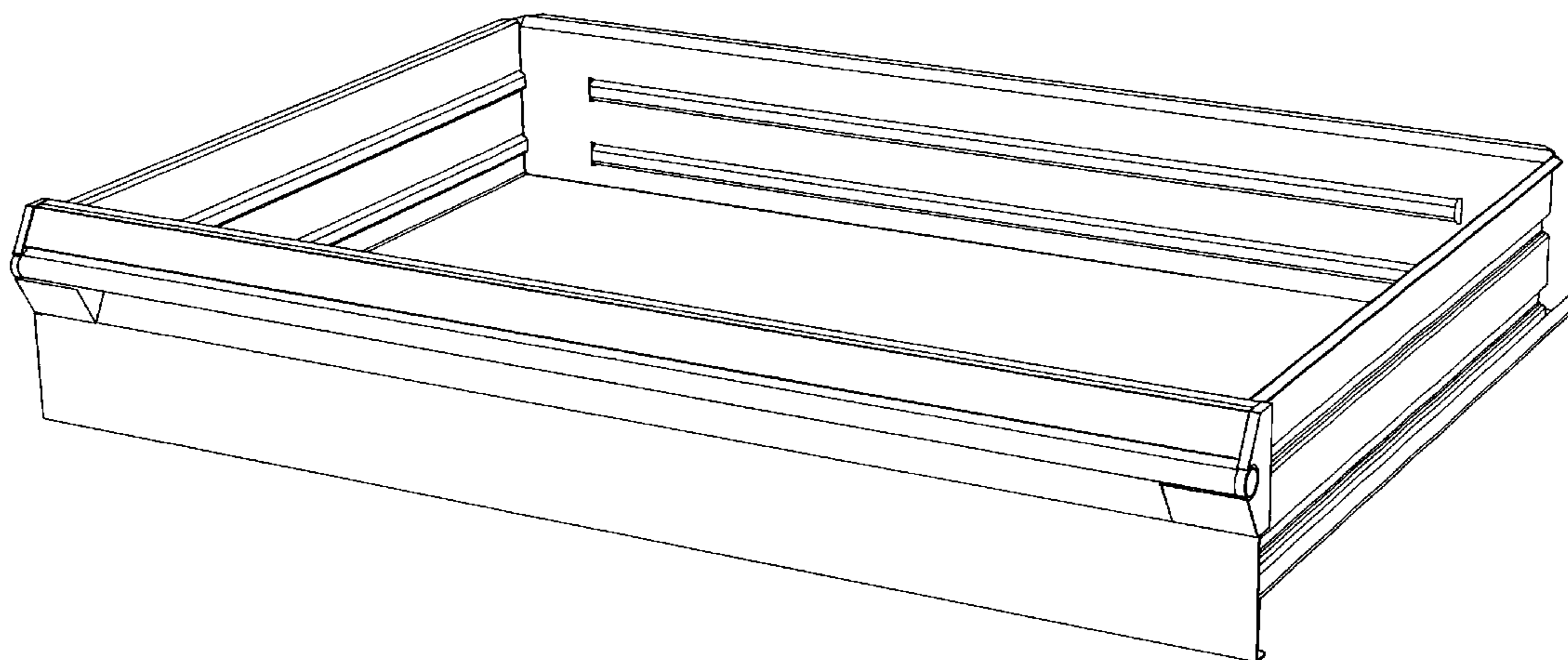
(57) **CLAIM**

The ornamental design for a cabinet drawer, as shown and described.

**DESCRIPTION**

FIG. 1 is a perspective view of the article;  
 FIG. 2 is an enlarged fragmentary view of the front corner of the drawer;  
 FIG. 3 is a front elevational view thereof;  
 FIG. 4 is a side elevational view thereof (the other side being identical);  
 FIG. 5 is a top plan view thereof; and,  
 FIG. 6 is a bottom view thereof.

**1 Claim, 6 Drawing Sheets**



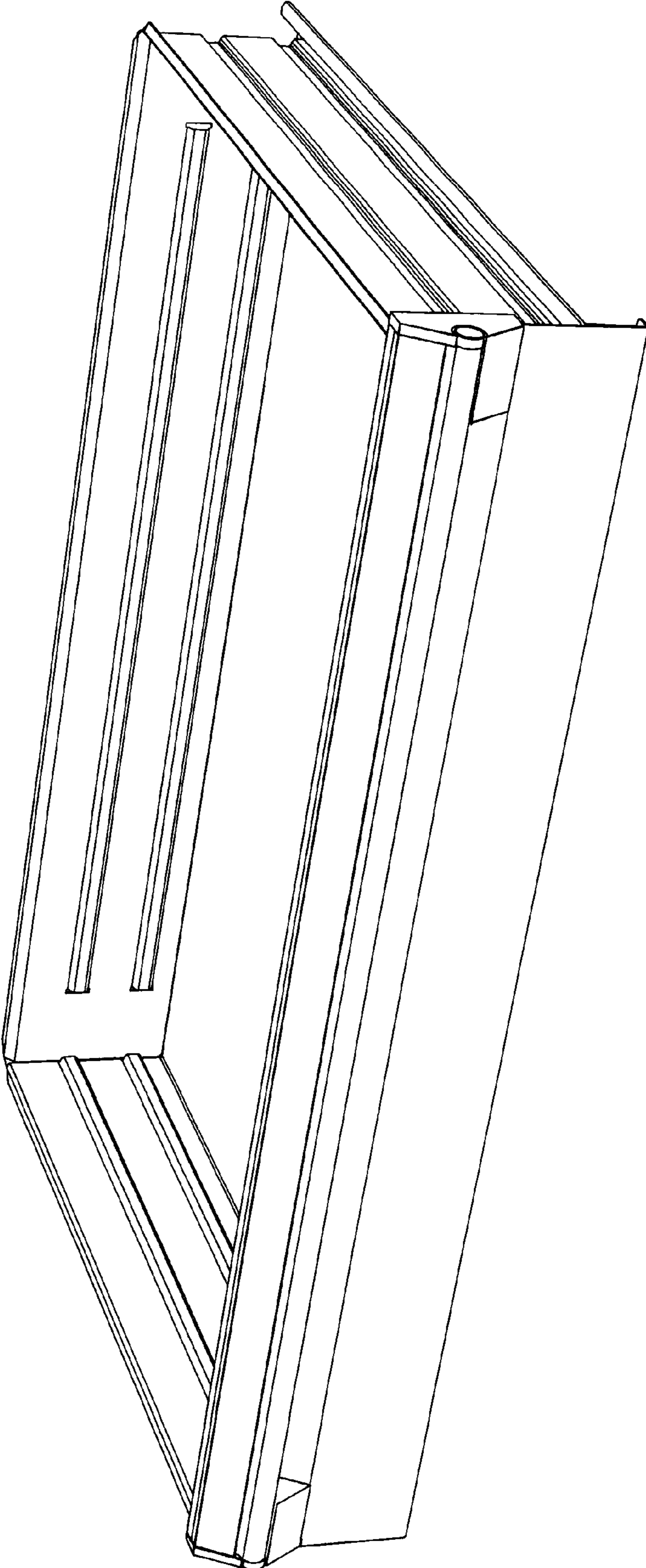


FIG. 1

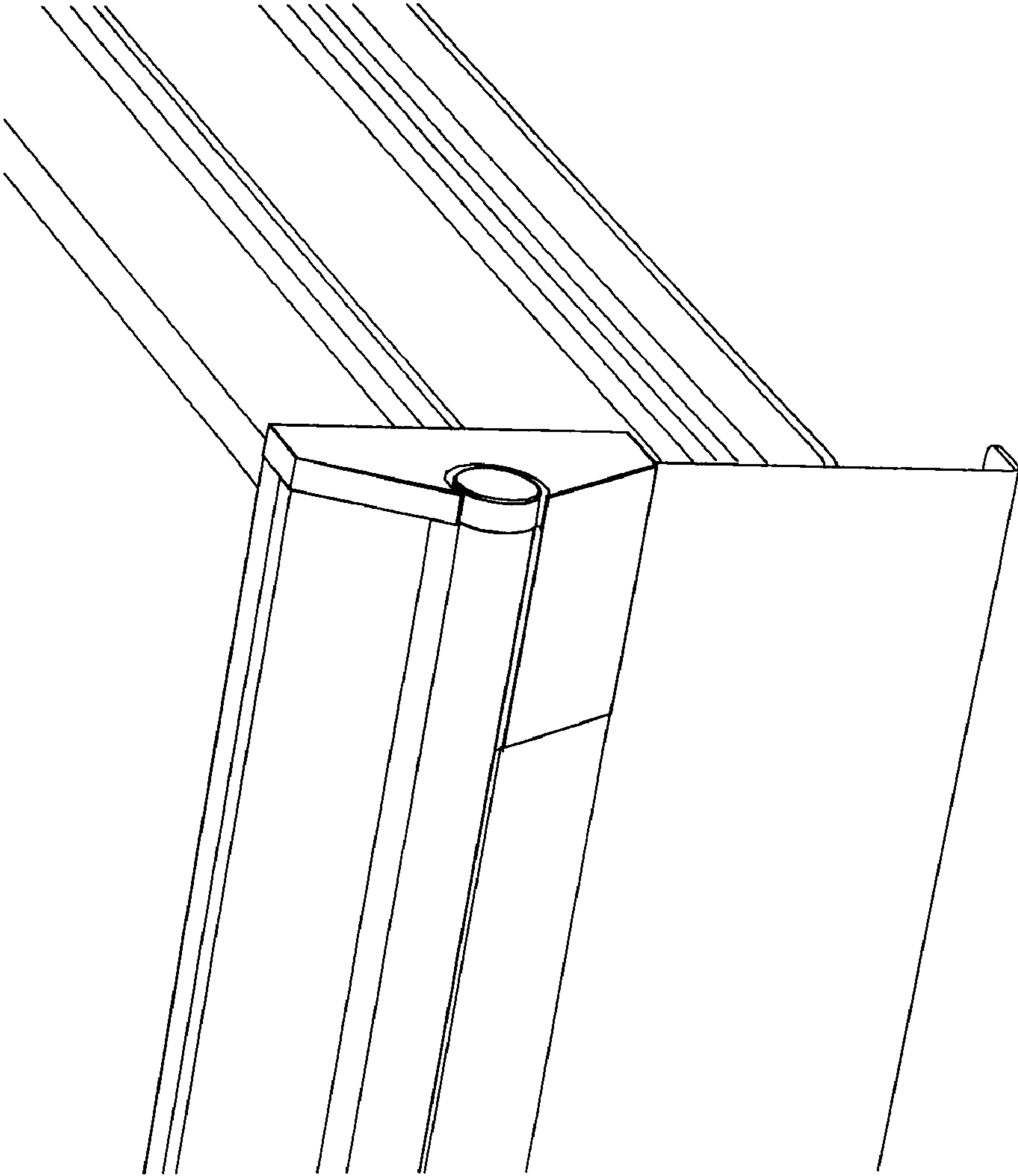


FIG. 2

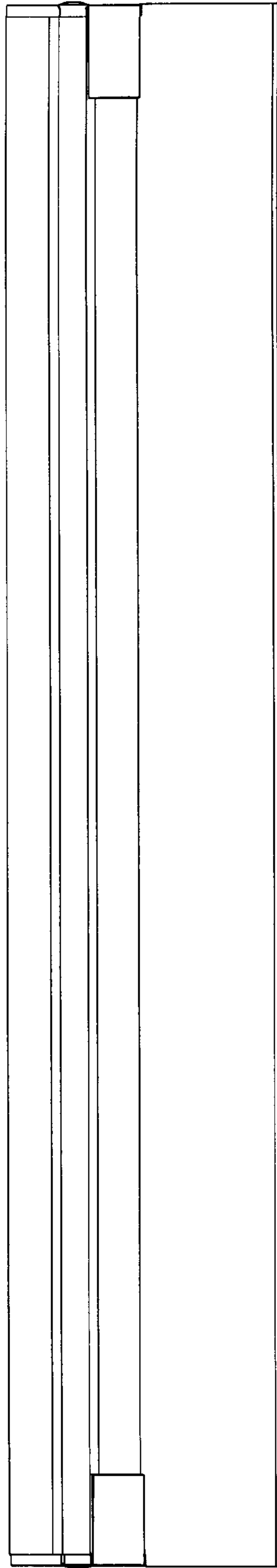


FIG. 3

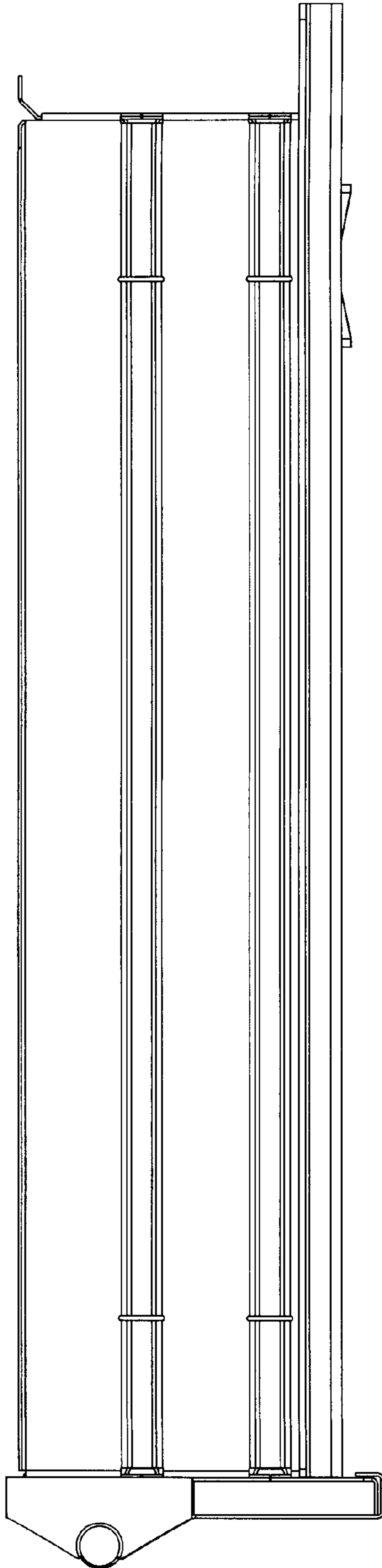


FIG. 4

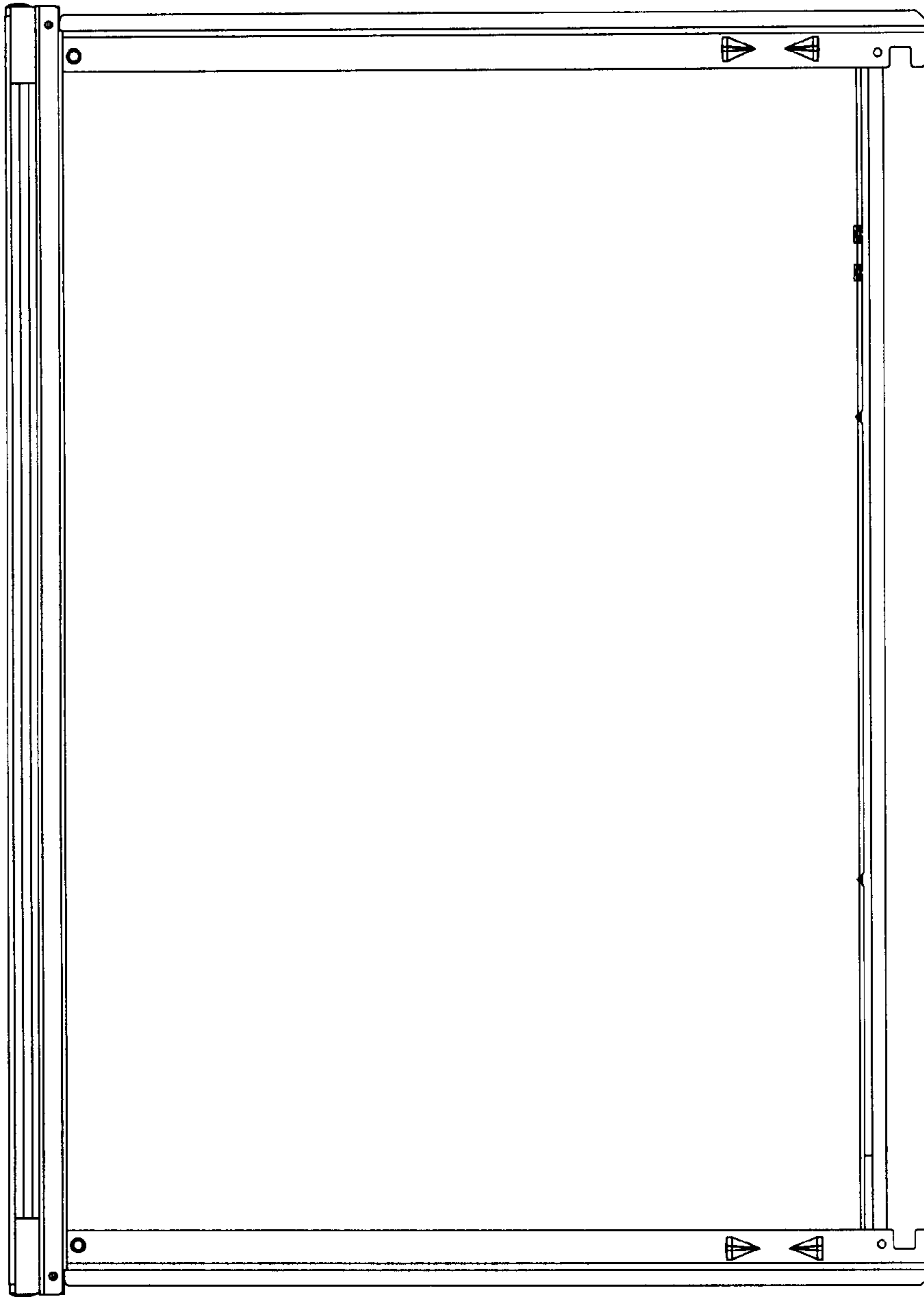


FIG. 5

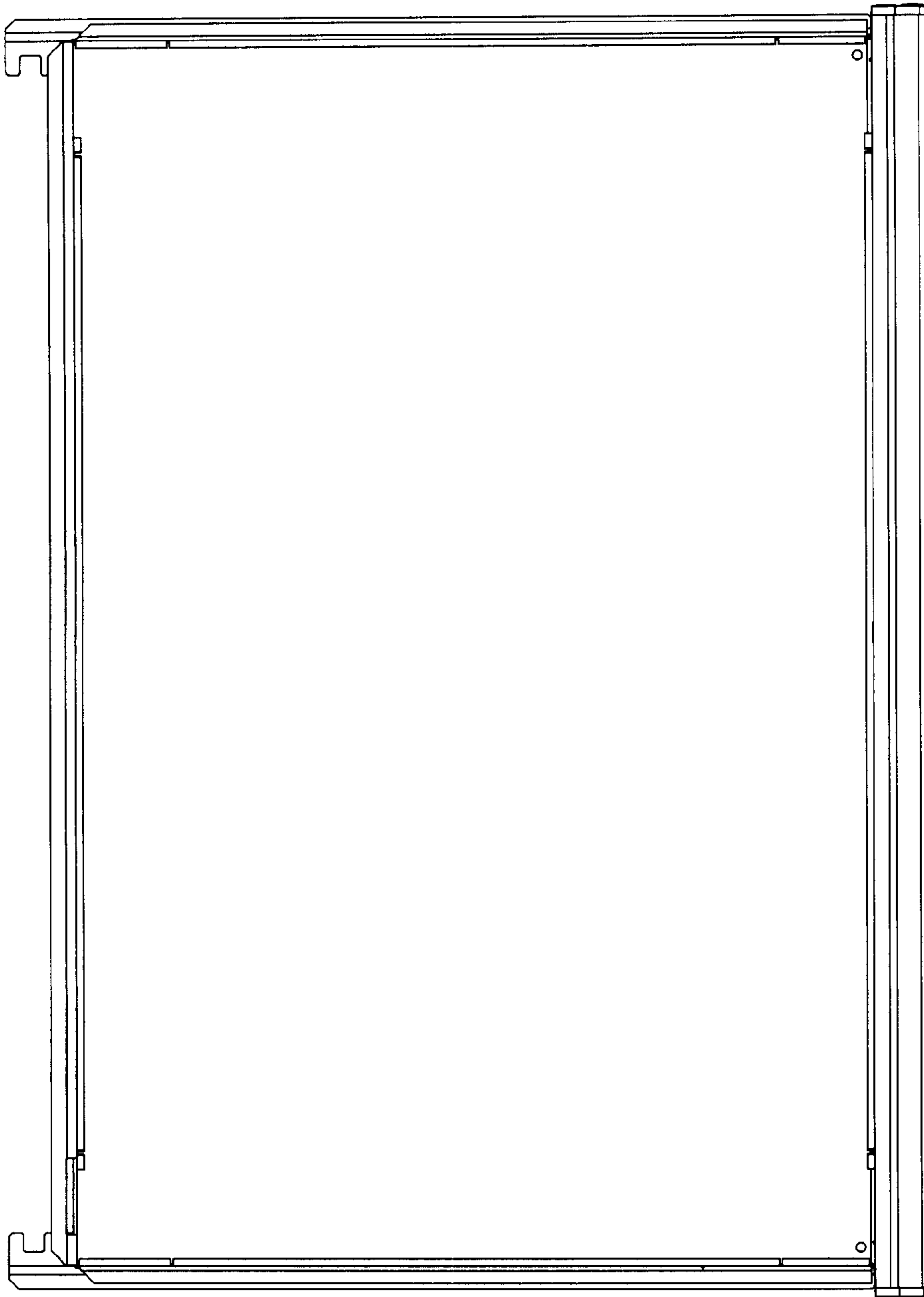


FIG. 6