



US00D523666S

(12) **United States Design Patent**
Schiefer et al.

(10) **Patent No.:** **US D523,666 S**

(45) **Date of Patent:** **** Jun. 27, 2006**

(54) **BENCH SUPPORT**

(75) Inventors: **Sonja Schiefer**, Santa Monica, CA (US); **Ana Maria Reza-Hadden**, San Rafael, CA (US)

(73) Assignee: **Landscape Forms, Inc.**, Kalamazoo, MI (US)

(**) Term: **14 Years**

(21) Appl. No.: **29/216,587**

(22) Filed: **Nov. 5, 2004**

(51) **LOC (8) Cl.** **06-06**

(52) **U.S. Cl.** **D6/495**

(58) **Field of Classification Search** D6/334-339, D6/349, 352, 364-366, 353, 369, 370, 495, D6/500-502, 358, 351, 345, 367, 368, 379, D6/480, 481, 483, 484; 5/12.1; 297/445.1, 297/232, 446.1, 447.3, 448.1, 452.1, 118, 297/119, 122-126; 108/11, 13, 15, 115

See application file for complete search history.

(56) **References Cited**

U.S. PATENT DOCUMENTS

D156,935 S * 1/1950 Carlson D6/368
D256,300 S * 8/1980 Yoshimura D6/368

D263,189 S * 3/1982 Beals D6/495
D412,622 S * 8/1999 DeJule D6/371
D442,379 S * 5/2001 Vertongen D6/368
D509,675 S * 9/2005 Reza-Hadden D6/381

OTHER PUBLICATIONS

“EXPOSIT”, Erlau A.G., Germany, 3 pp.

* cited by examiner

Primary Examiner—Sandra S. Snapp

(74) *Attorney, Agent, or Firm*—Heslin Rothenberg Farley & Mesiti P.C.

(57) **CLAIM**

The ornamental design for a bench support, as shown and described.

DESCRIPTION

FIG. 1 is an isometric view of a bench support of the present invention;

FIG. 2 is a front elevation view thereof;

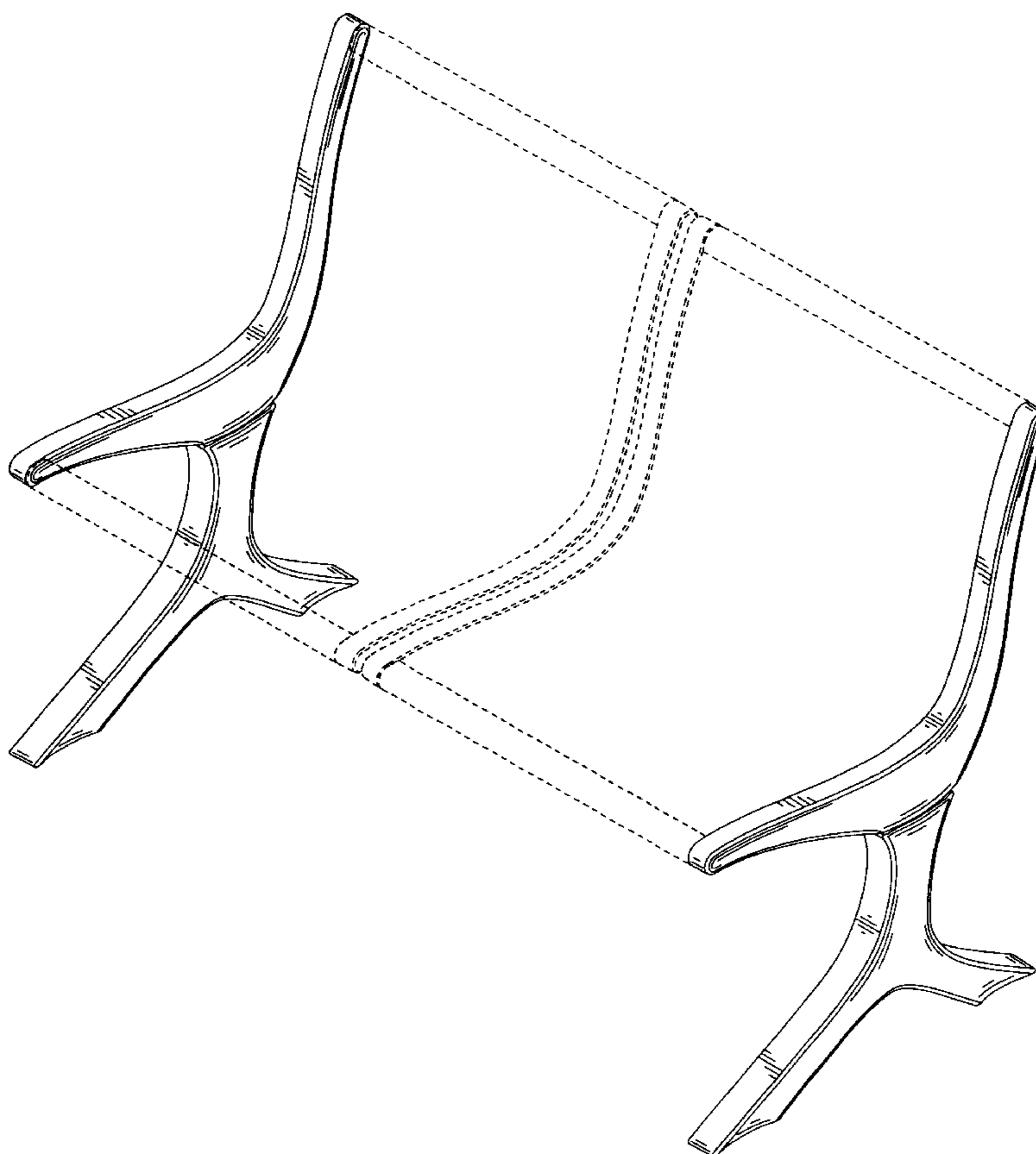
FIG. 3 is a right side elevation view thereof, the left side elevation view being a mirror image thereof;

FIG. 4 is a top plan view thereof; and,

FIG. 5 is a back elevation view thereof.

The broken line depiction is for illustrative purposes only and forms no part of the claimed invention.

1 Claim, 5 Drawing Sheets



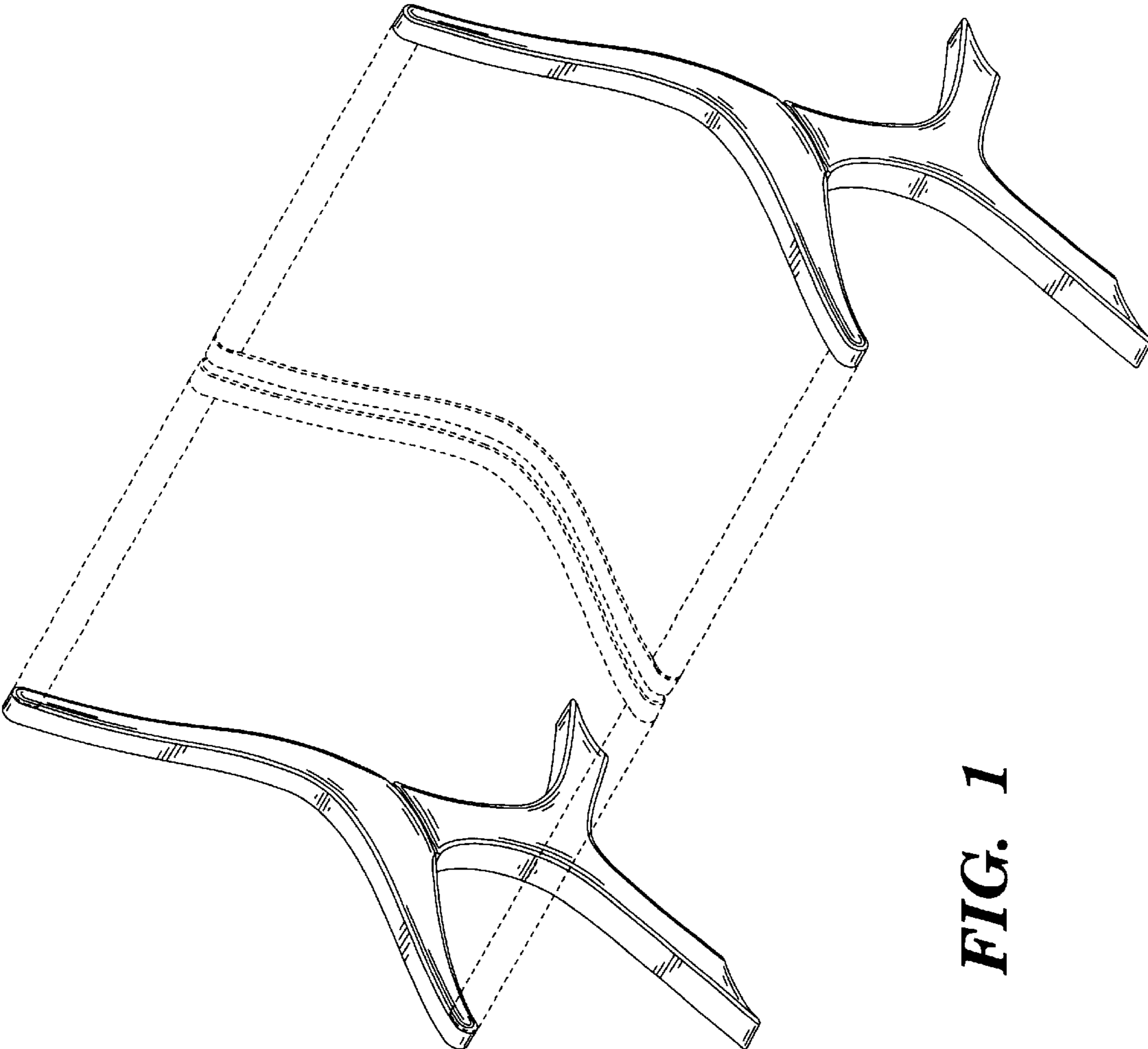


FIG. 1

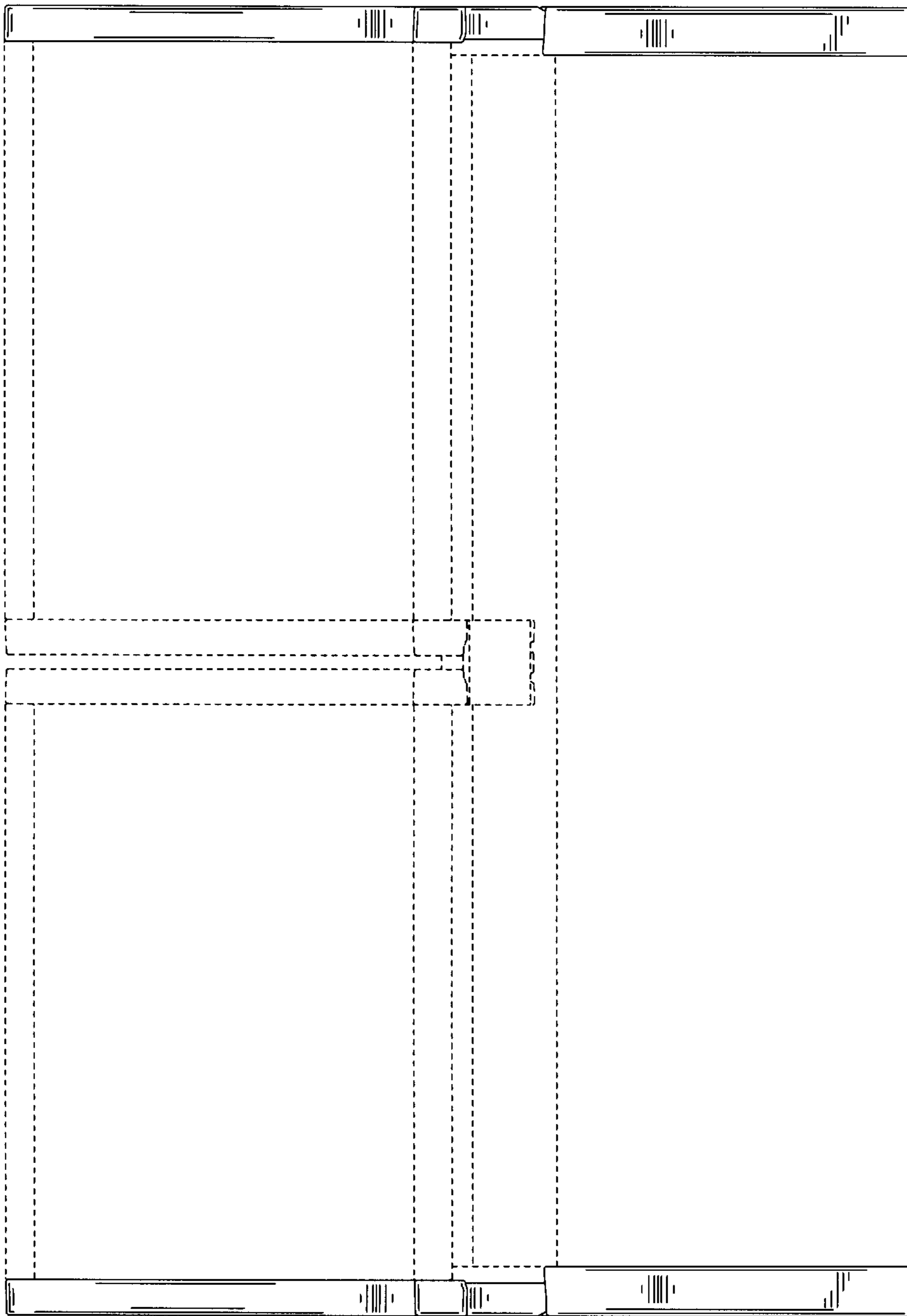


FIG. 2

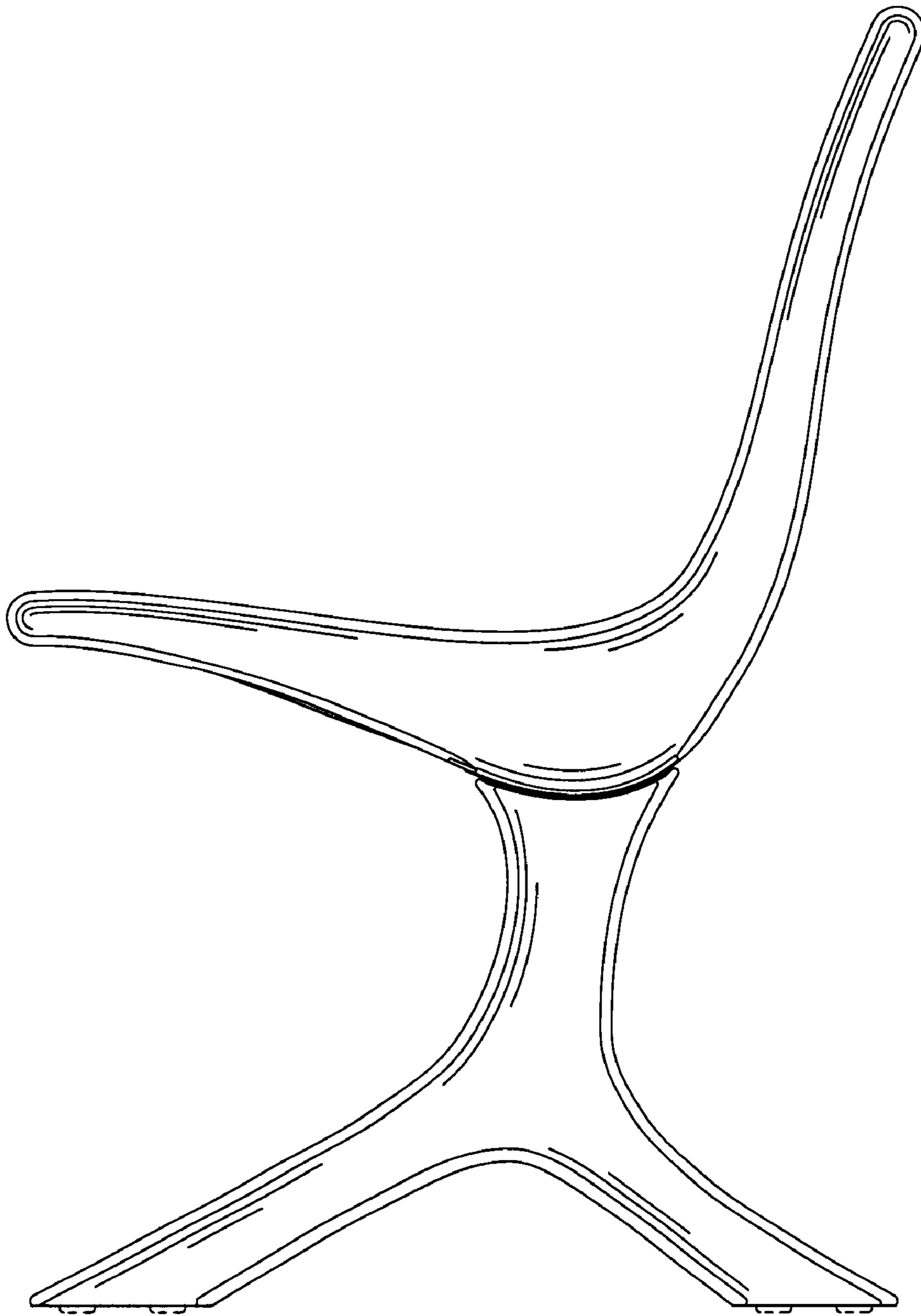


FIG. 3

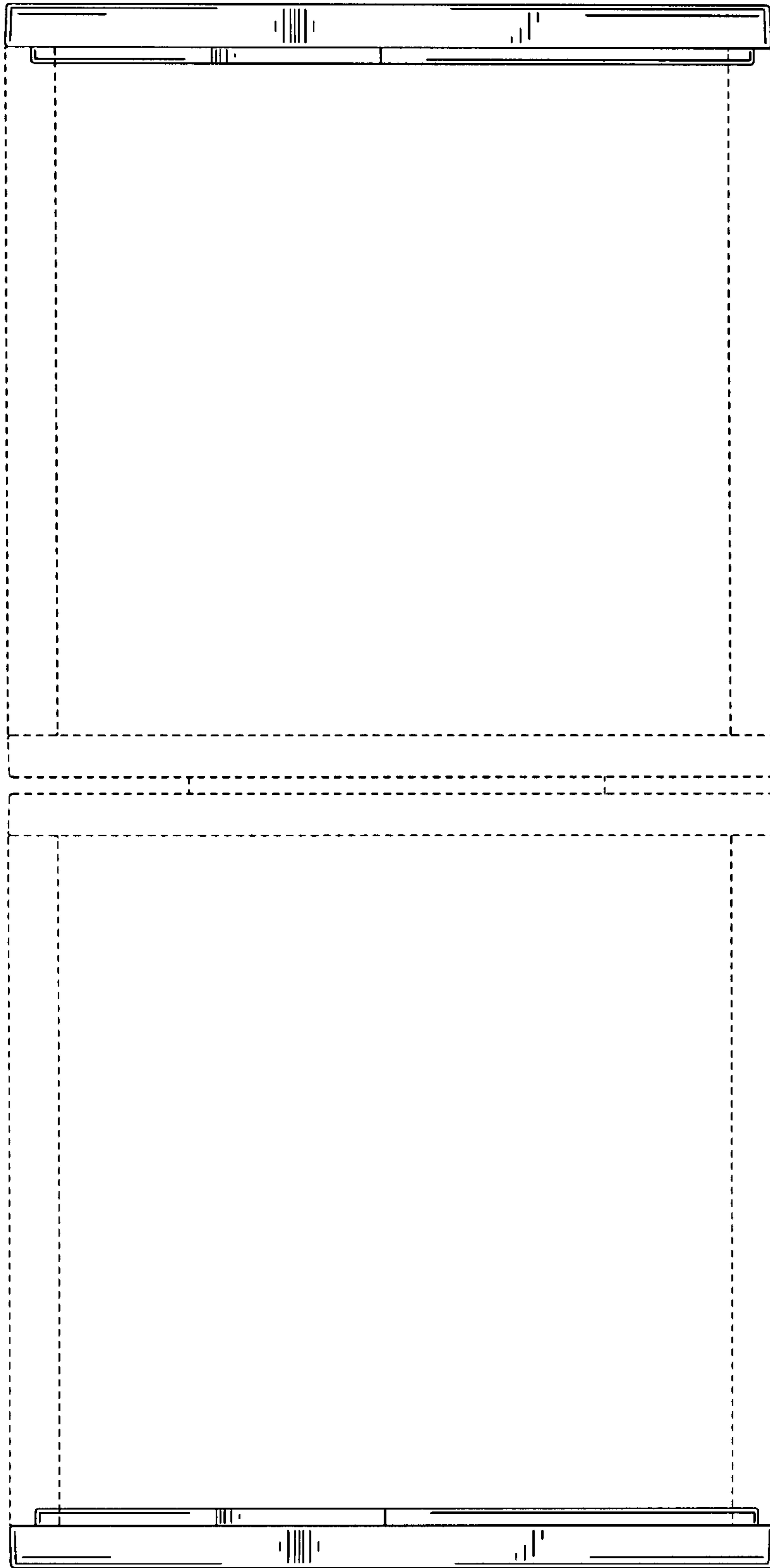


FIG. 4

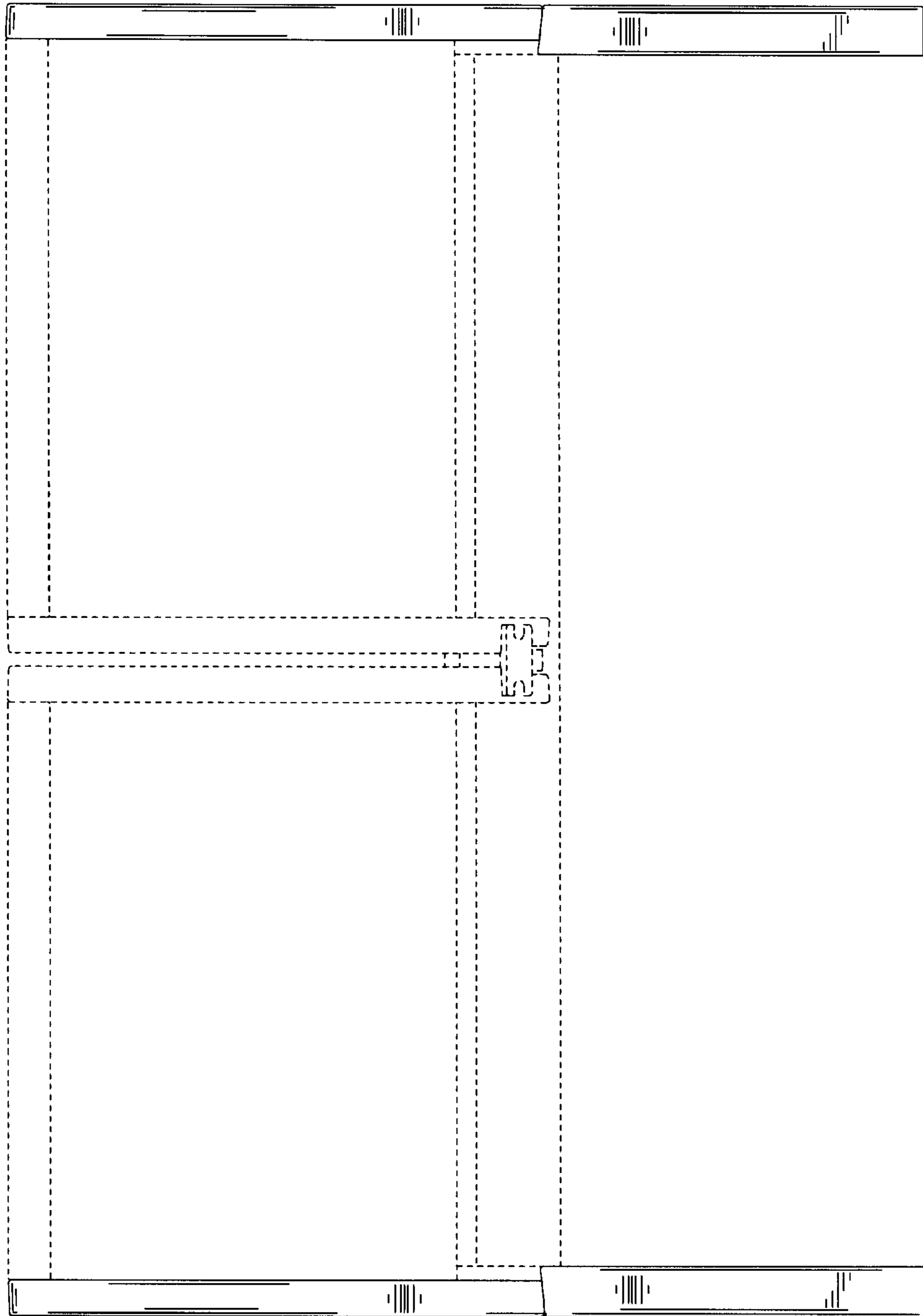


FIG. 5