

US00D523665S

(12) **United States Design Patent**
Schulman

(10) **Patent No.:** **US D523,665 S**
(45) **Date of Patent:** **** Jun. 27, 2006**

- (54) **FURNITURE CONSTRUCTION ELEMENT**
- (76) Inventor: **Carl H. Schulman**, 3362 Caminito
Luna Nueva, Del Mar, CA (US) 92014
- (**) Term: **14 Years**
- (21) Appl. No.: **29/216,145**
- (22) Filed: **Oct. 29, 2004**

- 5,944,396 A 8/1999 Stephan
- 6,022,087 A 2/2000 Gilbert
- 6,076,906 A 6/2000 Royal
- 6,082,844 A 7/2000 Hausler et al.
- 6,102,476 A 8/2000 May et al.
- 6,164,462 A 12/2000 Mumford
- 6,170,926 B1 1/2001 Roberts et al.
- 6,206,495 B1 3/2001 Peterson
- D441,567 S 5/2001 Nielsen
- D445,597 S 7/2001 Stone et al.
- D446,188 S 8/2001 Gershfeld
- D449,819 S 10/2001 Gershfeld
- 6,340,212 B1 1/2002 Beiss et al.
- D454,541 S 3/2002 Gershfeld

Related U.S. Application Data

- (62) Division of application No. 29/202,540, filed on Apr. 1, 2004, now Pat. No. Des. 058,176.

- (51) **LOC (8) Cl.** **06-06**
- (52) **U.S. Cl.** **D6/491; D6/509; D6/510**
- (58) **Field of Classification Search** D6/491,
D6/509-511, 443, 422, 425, 441; 123/194,
123/195, 208.1, 208.3, 204, 29, 249.1, 223.2,
123/223.3

See application file for complete search history.

(56) **References Cited**

U.S. PATENT DOCUMENTS

- 886,017 A 4/1908 Schram et al.
- 886,192 A 4/1908 DeCanio
- 1,990,980 A 2/1935 Fakkema
- D118,637 S 1/1940 Dyches
- D133,524 S 8/1942 Bargaen
- 2,785,036 A * 3/1957 Elsdon-King et al. 312/327
- 3,292,986 A 12/1966 Fenwick
- 3,589,524 A 6/1971 Schramm
- 3,722,975 A 3/1973 Taylor
- 3,954,315 A 5/1976 Sanden
- 4,615,095 A 10/1986 Bessinger et al.
- 4,669,789 A 6/1987 Pemberton
- 4,695,104 A 9/1987 Lederman
- 4,836,623 A 6/1989 Holland
- 4,892,367 A 1/1990 Jantzen
- 5,119,942 A 6/1992 McCullars
- 5,231,552 A 7/1993 Schneider et al.
- D385,431 S * 10/1997 Lee D6/436
- 5,678,905 A 10/1997 Kelley
- 5,741,053 A 4/1998 Nielsen

(Continued)

Primary Examiner—Janice E. Seeger
(74) *Attorney, Agent, or Firm*—Alston & Bird LLP

(57) **CLAIM**

The ornamental design for a furniture construction element, as shown and described.

DESCRIPTION

FIG. 1 is a perspective view of a furniture construction element, showing my new design, the broken lines are for environmental purposes only and form no part of the claimed design.

FIG. 2 is an elevational view of the left side of the furniture construction element of FIG. 1;

FIG. 3 is a sectional view taken on line 3—3 of FIG. 1, and is an elevational view of the right side of the furniture construction element of FIG. 1, illustrating an electronic component in broken lines supported within the furniture construction element;

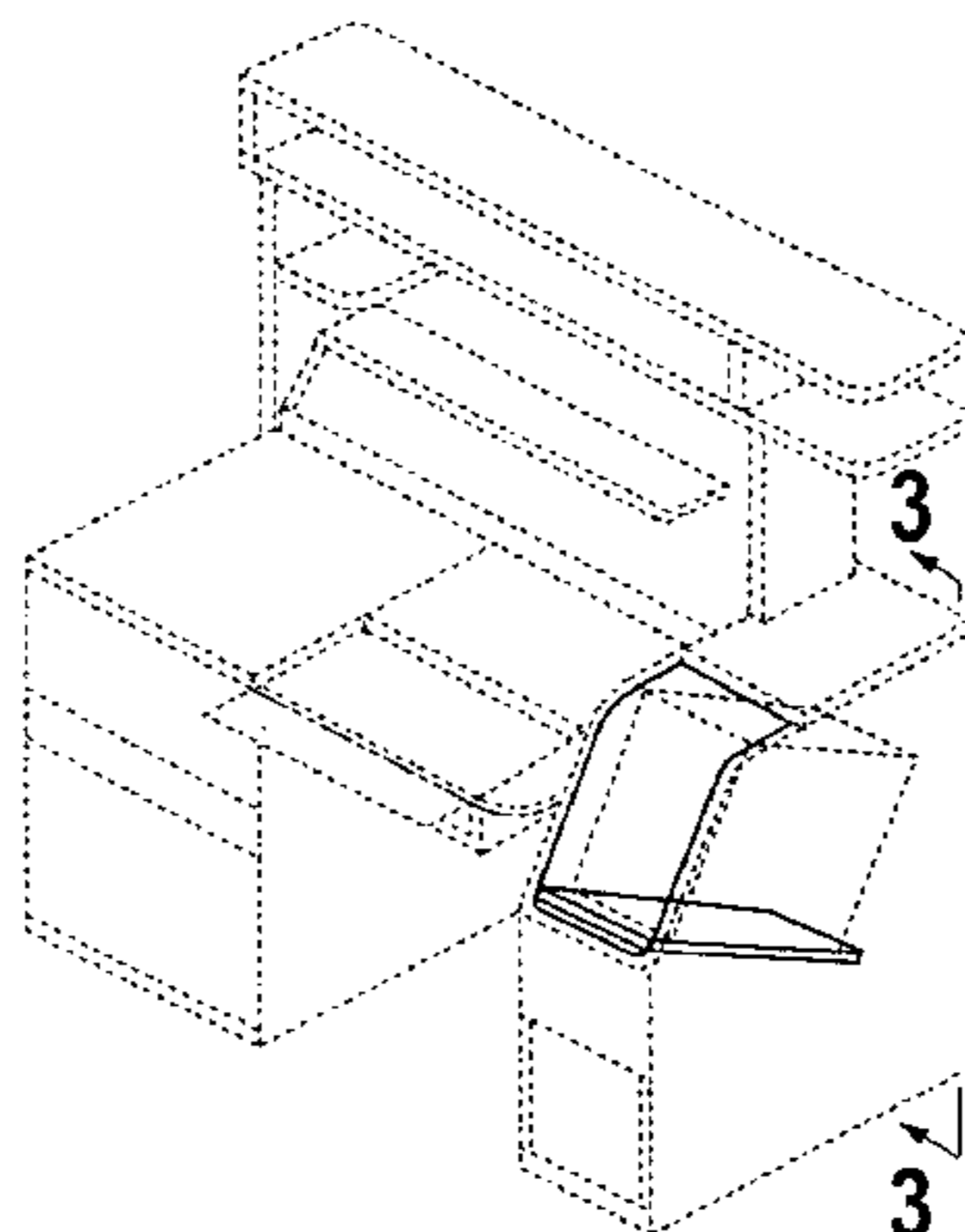
FIG. 4 is a plan view of the top side of the furniture construction element of FIG. 1;

FIG. 5 is a plan view of the bottom side of the furniture construction element of FIG. 1;

FIG. 6 is an elevational view of the front side of the furniture construction element of FIG. 1; and,

FIG. 7 is an elevational view of the rear side of the furniture construction element of FIG. 1.

1 Claim, 2 Drawing Sheets



US D523,665 S

Page 2

U.S. PATENT DOCUMENTS

D455,123 S	4/2002	Gershfeld	6,508,526 B1	1/2003	Reppas et al.
D455,716 S	4/2002	Gershfeld	D472,405 S	4/2003	Tzeng
D456,357 S	4/2002	Gershfeld	6,553,919 B1	4/2003	Nevin
D457,137 S	5/2002	Gershfeld	6,580,602 B1	6/2003	Zodnik
6,402,271 B1	6/2002	Kelley et al.	D478,225 S	8/2003	Wang
6,446,564 B1	9/2002	Anderson	6,612,665 B1	9/2003	Nielsen
6,480,352 B1	11/2002	Okada et al.	6,619,765 B1	9/2003	Visser et al.
D466,868 S	12/2002	Gershfeld	6,736,469 B1 *	5/2004	Long 312/223.3

* cited by examiner

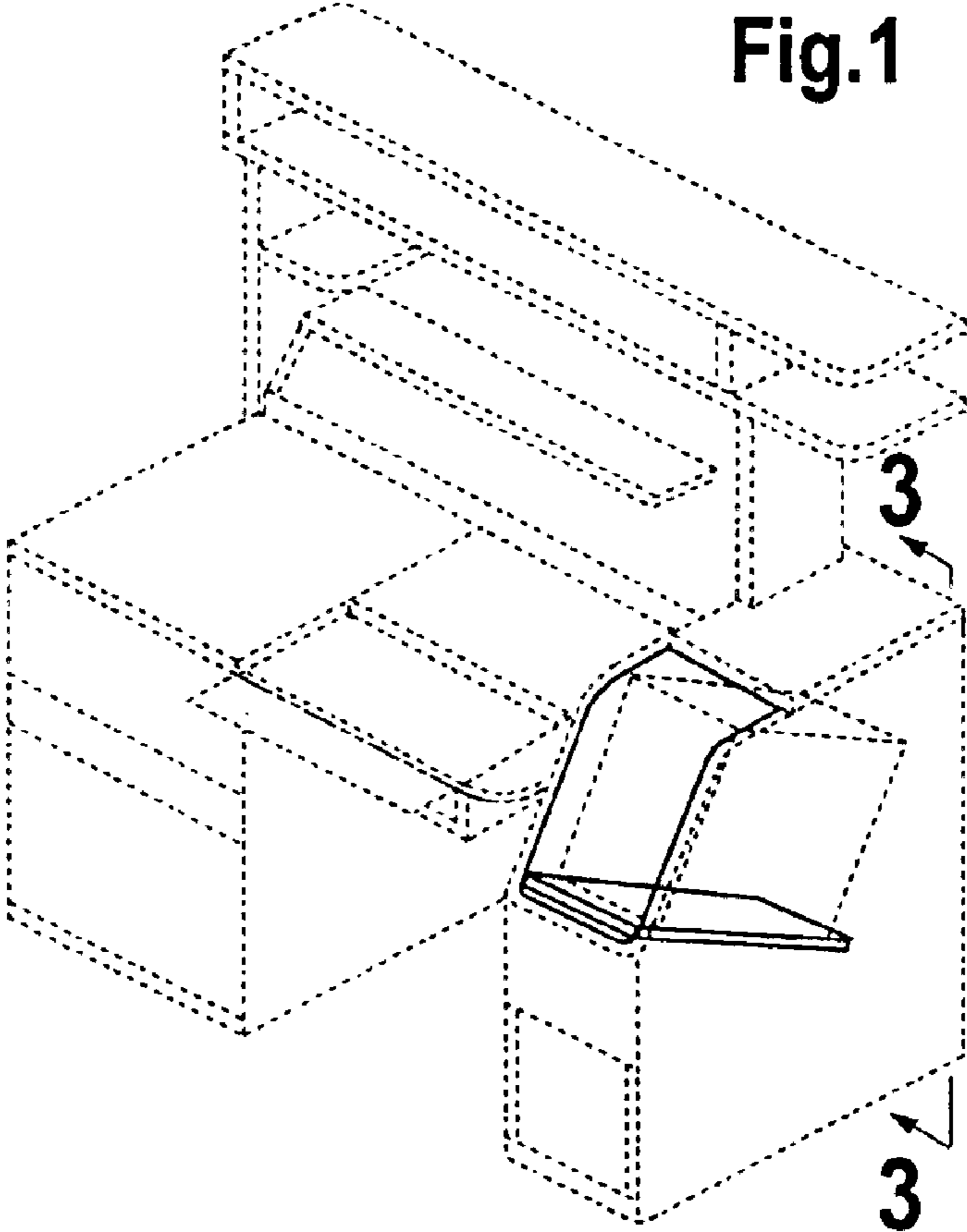


Fig.2

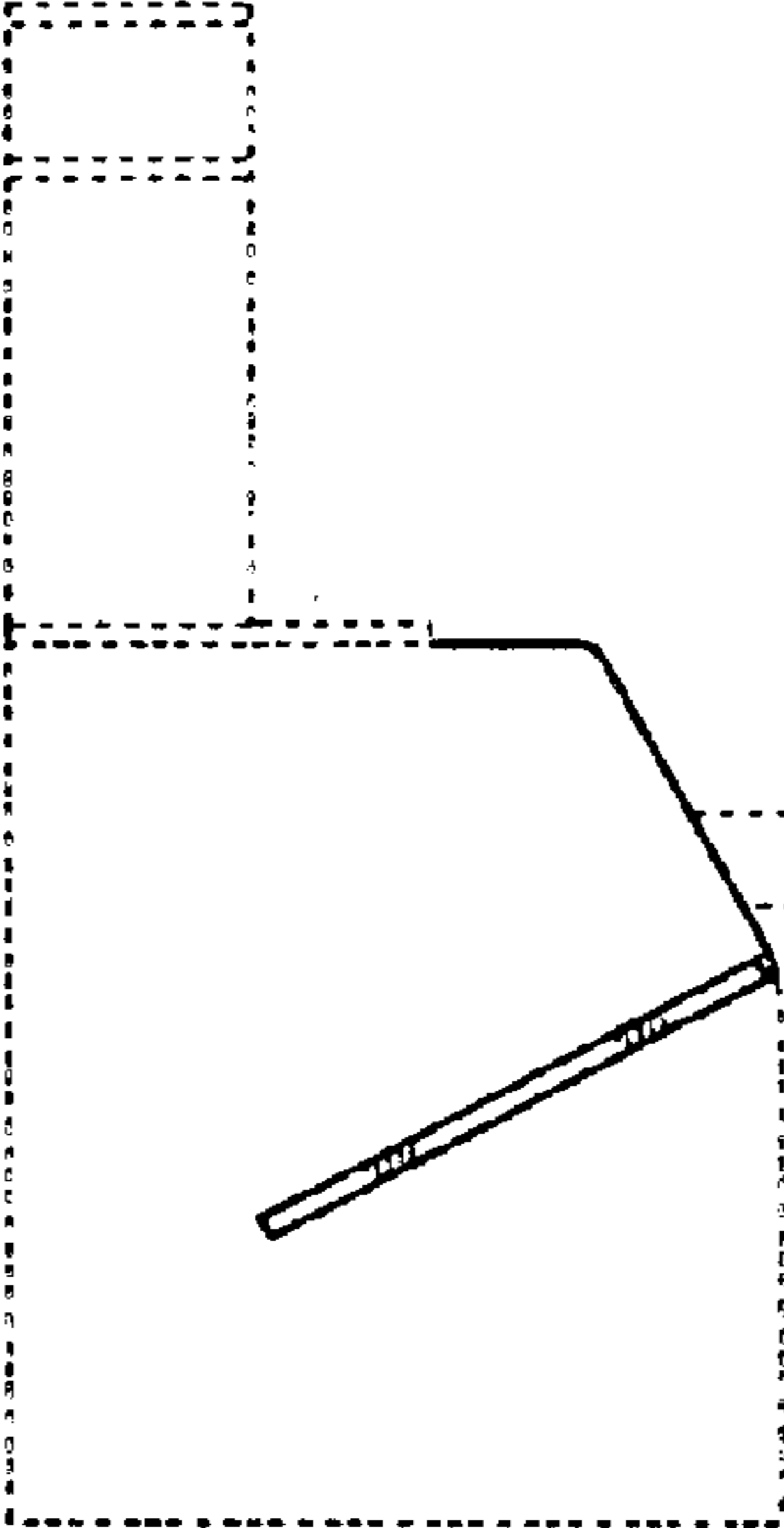


Fig.3

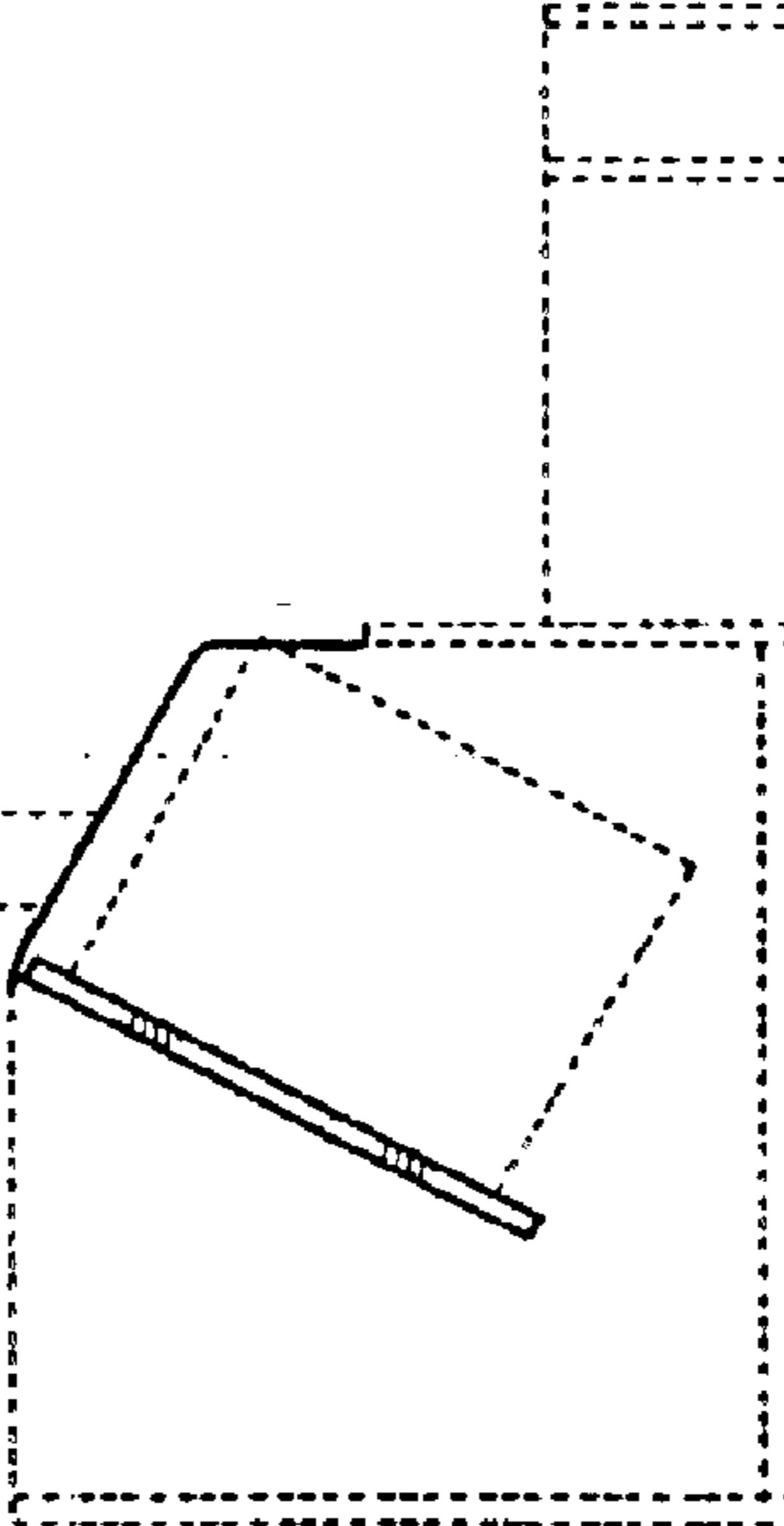


Fig.4

Fig.5

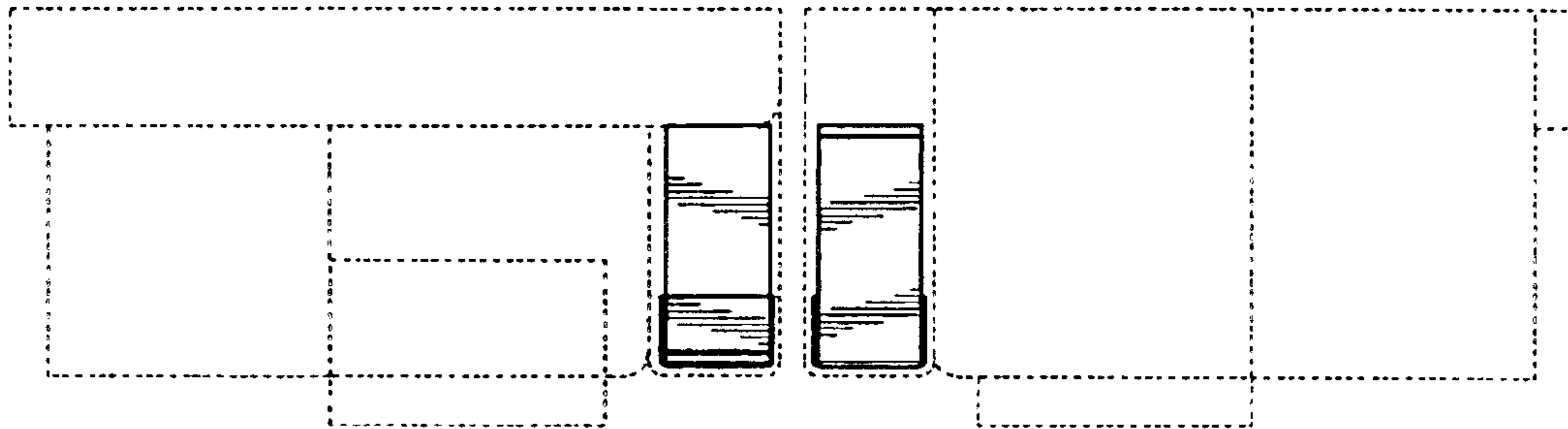


Fig.6

Fig.7

