

US00D523664S

(12) **United States Design Patent**
Rudisill

(10) **Patent No.:** **US D523,664 S**

(45) **Date of Patent:** **** Jun. 27, 2006**

(54) **TABLE**

(75) **Inventor:** **Andrew D Rudisill**, Hickory, NC (US)

(73) **Assignee:** **Century Furniture LLC**, Hickory, NC (US)

(**) **Term:** **14 Years**

(21) **Appl. No.:** **29/209,994**

(22) **Filed:** **Jul. 26, 2004**

(51) **LOC (8) Cl.** **06-03**

(52) **U.S. Cl.** **D6/480**

(58) **Field of Classification Search** D6/480-489,
D6/495-499, 511; 108/150, 153.1, 155, 156,
108/157.1, 161; 248/188, 188.1, 188.8, 188.9
See application file for complete search history.

(56) **References Cited**

U.S. PATENT DOCUMENTS

D117,274 S * 10/1939 Ingram D6/511

D256,296 S * 8/1980 Beall D6/430
D362,769 S * 10/1995 Paus D6/477
D371,260 S * 7/1996 Walters, III et al. D6/480
D423,257 S * 4/2000 Paus D6/495

* cited by examiner

Primary Examiner—Janice E. Seeger

(74) *Attorney, Agent, or Firm*—Venable LLP; Henry J. Daley

(57) **CLAIM**

The ornamental design for a table, as shown and described.

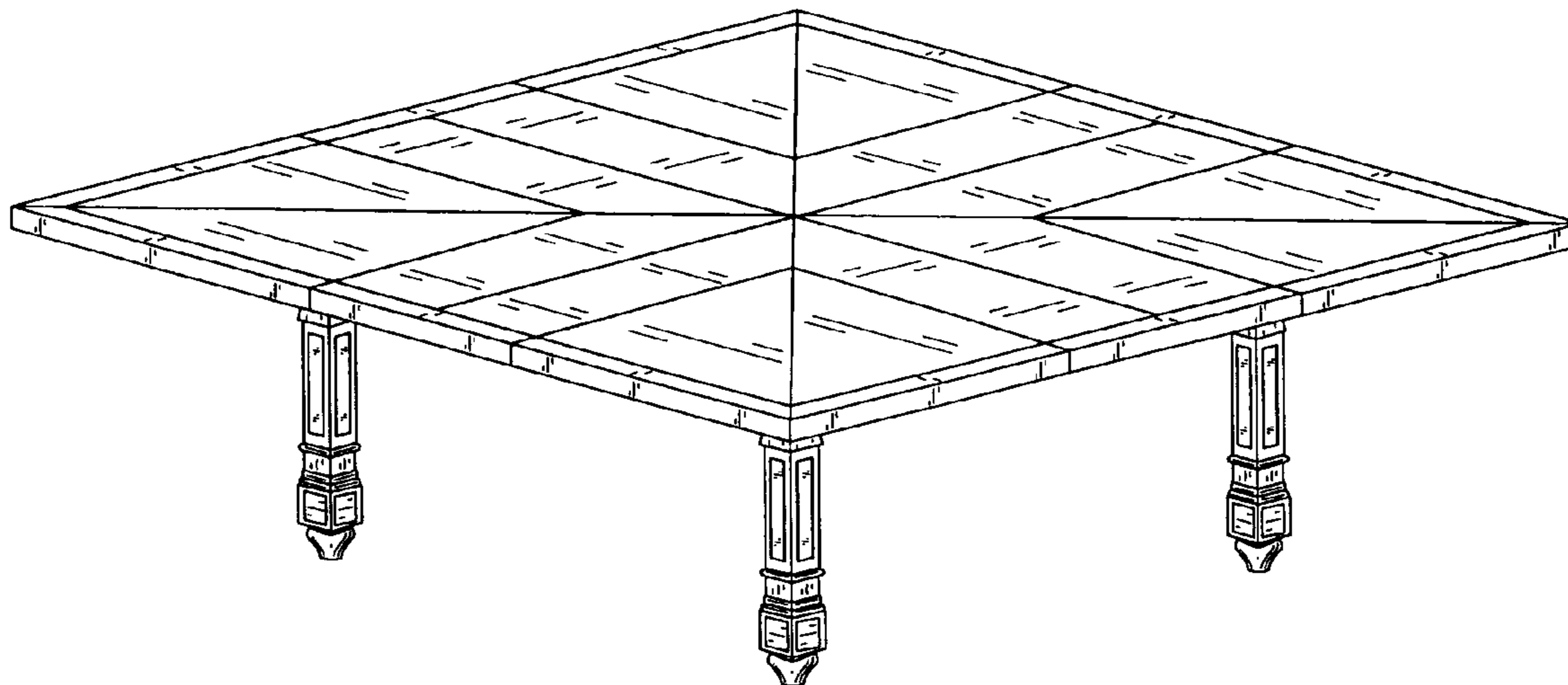
DESCRIPTION

FIG. 1 is a perspective view of a table, showing my new design;

FIG. 2 is a side elevational view, all four sides being identical thereto; and,

FIG. 3 is a top plan view thereof.

1 Claim, 3 Drawing Sheets



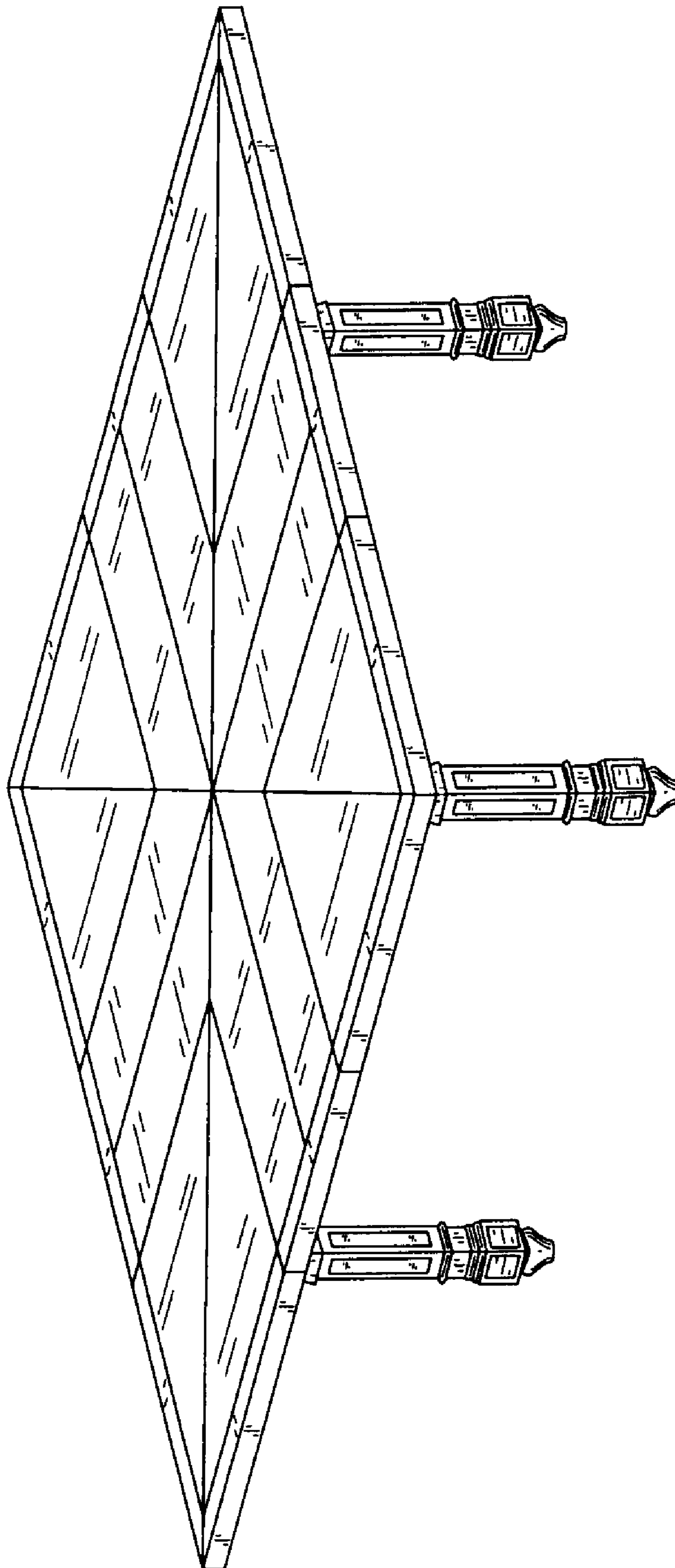


FIG. 1

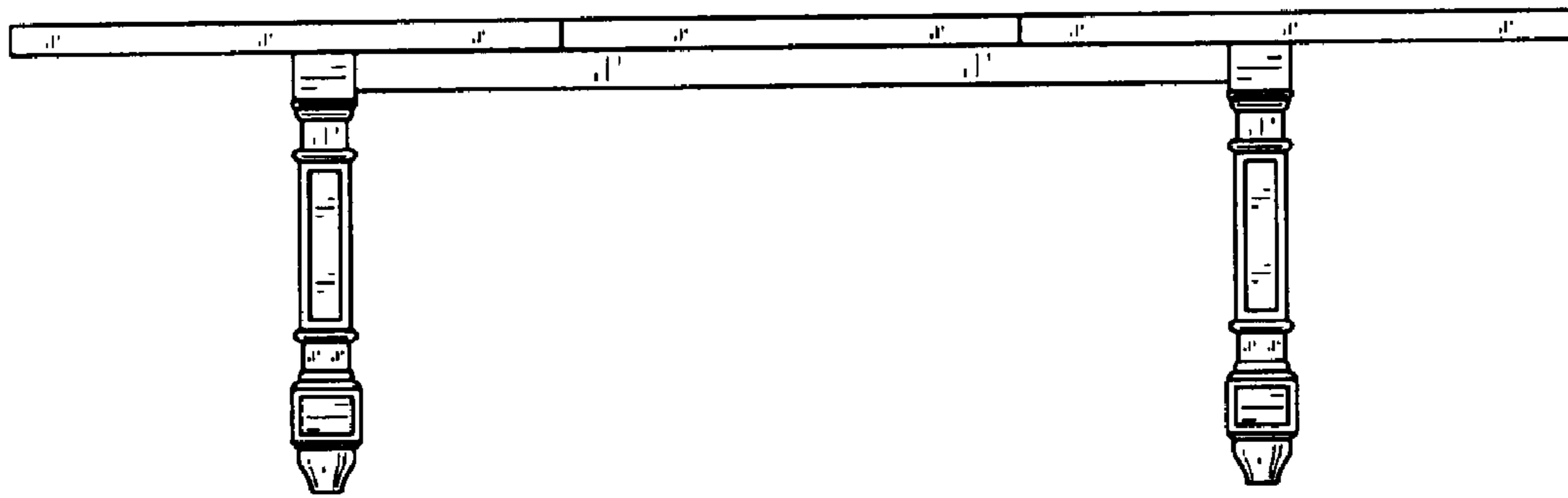


FIG. 2

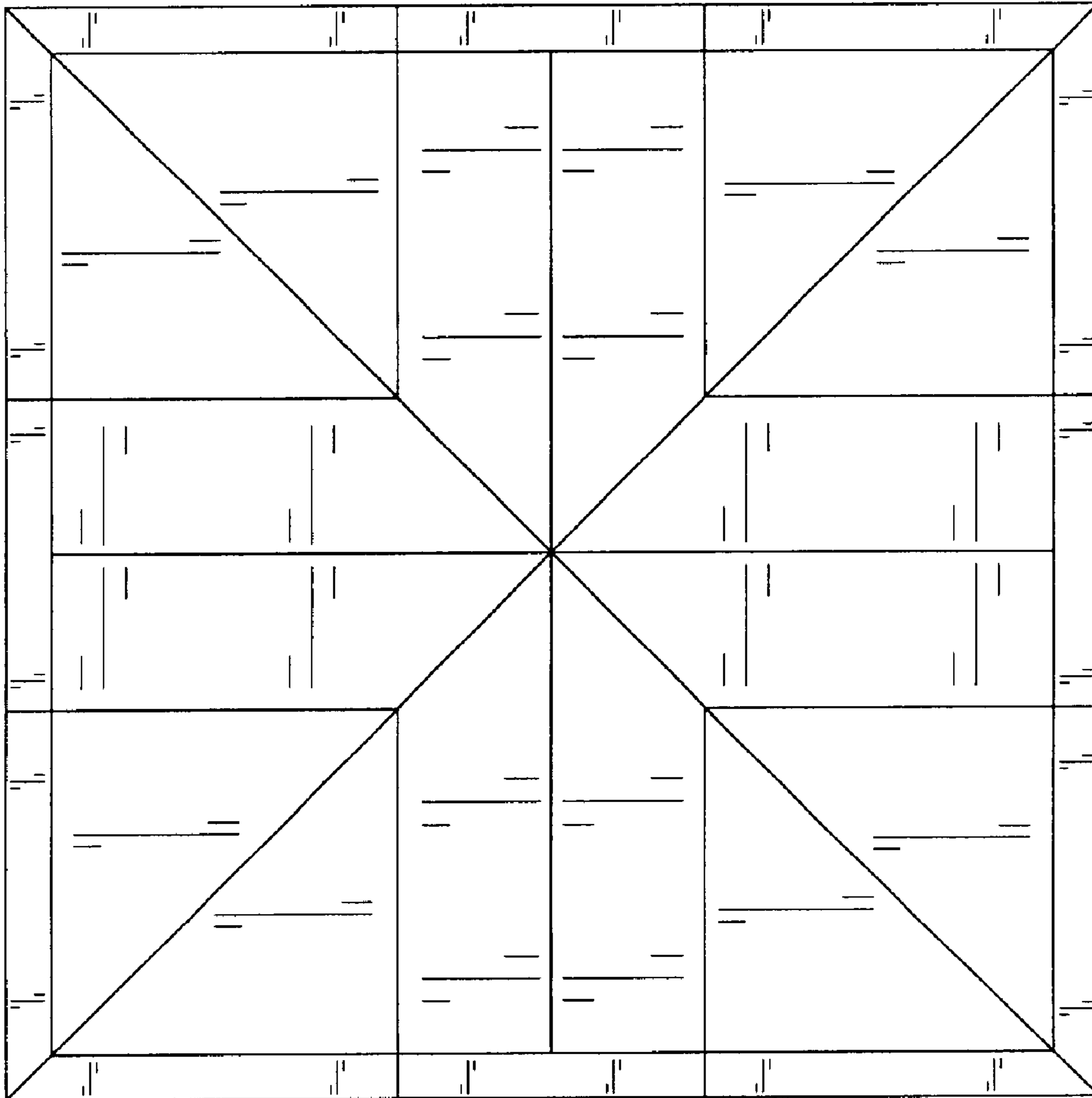


FIG. 3