



US00D523655S

(12) **United States Design Patent**
Giampavolo

(10) **Patent No.:** **US D523,655 S**
(45) **Date of Patent:** **** Jun. 27, 2006**

(54) **CHANGING STATION**

DESCRIPTION

(76) Inventor: **Paul Giampavolo**, 10 Kingsbride Rd.,
Fairfield, NJ (US) 07004

(**) Term: **14 Years**

(21) Appl. No.: **29/204,984**

(22) Filed: **May 7, 2004**

(51) **LOC (8) Cl.** **06-01**

(52) **U.S. Cl.** **D6/391**

(58) **Field of Classification Search** D6/382,
D6/383, 390-395, 333, 555; 5/2.1, 947, 101,
5/105, 655, 424
See application file for complete search history.

(56) **References Cited**

U.S. PATENT DOCUMENTS

4,876,970 A * 10/1989 Bolduc 108/35
D314,112 S * 1/1991 Dainty D6/555
6,055,688 A * 5/2000 Helmsderfer et al. 5/655

* cited by examiner

Primary Examiner—Janice Seeger

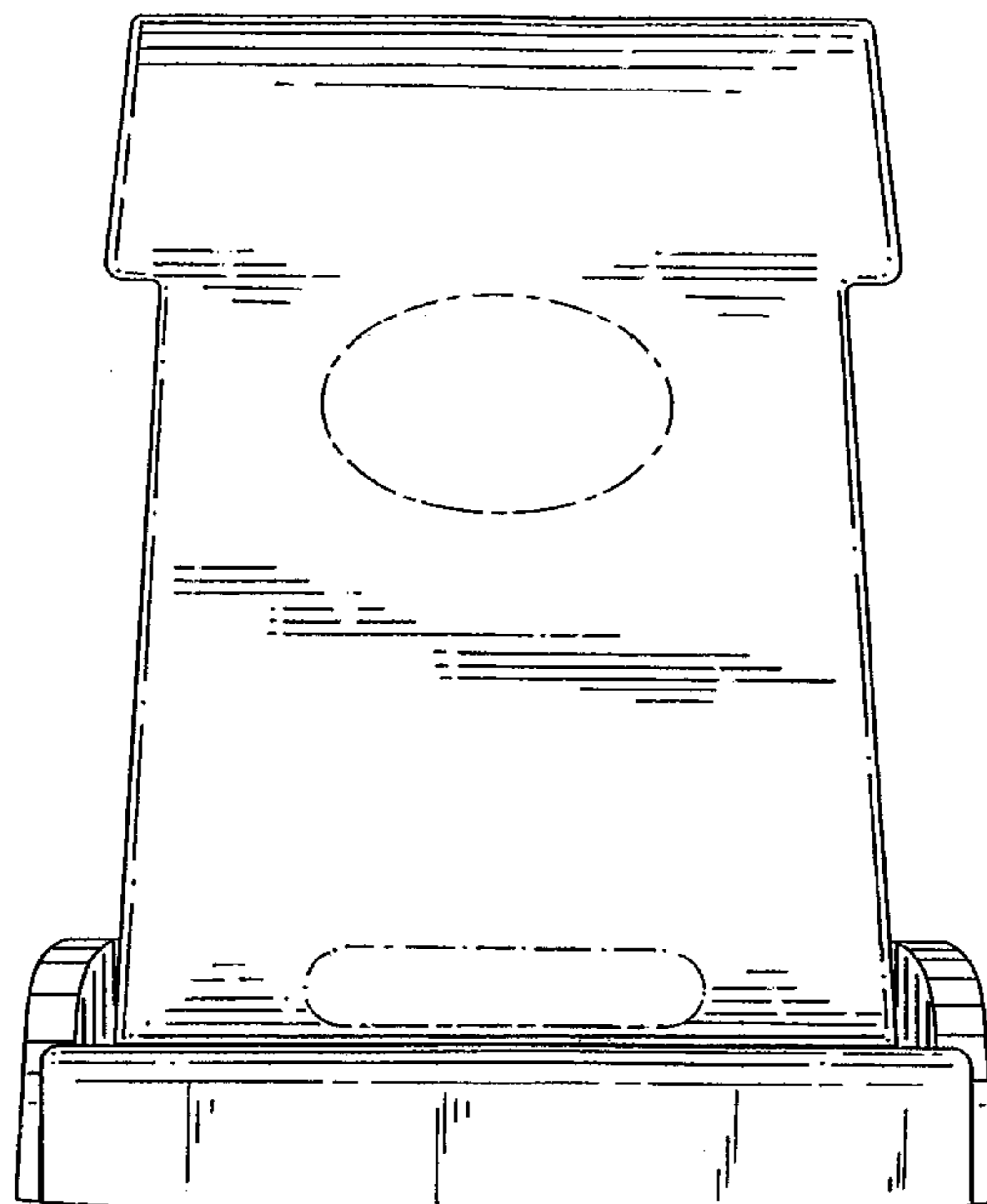
(74) *Attorney, Agent, or Firm*—Ostrolenk, Faber, Gerb &
Soffen, LLP

(57) **CLAIM**

The ornamental design for a changing station, as shown and
described.

FIG. 1 is a bottom view of the changing station in an open configuration showing my new design in full lines and with the broken lines showing environmental association matter. FIG. 2 is a rear view of the changing station in an open configuration shown in full lines, with the broken lines showing environmental association matter. FIG. 3 is a left side perspective view of the changing station in an open configuration. FIG. 4 is a right side perspective view of the changing station in an open configuration. FIG. 5 is a bottom perspective view of the changing station in an open configuration shown in full lines, with the broken lines showing environmental association matter. FIG. 6 is a top perspective view of the changing station in an open configuration shown in full lines, with the broken lines showing environmental association matter. FIG. 7 is a front view of the changing station in a closed configuration shown in full lines, with the broken lines showing environmental association matter. FIG. 8 is a rear view of the changing station in a closed configuration shown in full lines, with the broken lines showing environmental association matter. FIG. 9 is a top view of the changing station in a closed configuration. FIG. 10 is a bottom view of the changing station in a closed configuration. FIG. 11 is a left side view of the changing station in a closed configuration; and, FIG. 12 is a right side view of the changing station in a closed configuration. The broken lines showing environmental association matter in FIGS. 1, 2, and 5-8 are for illustrative purposes only and form no part of the claimed design.

1 Claim, 10 Drawing Sheets



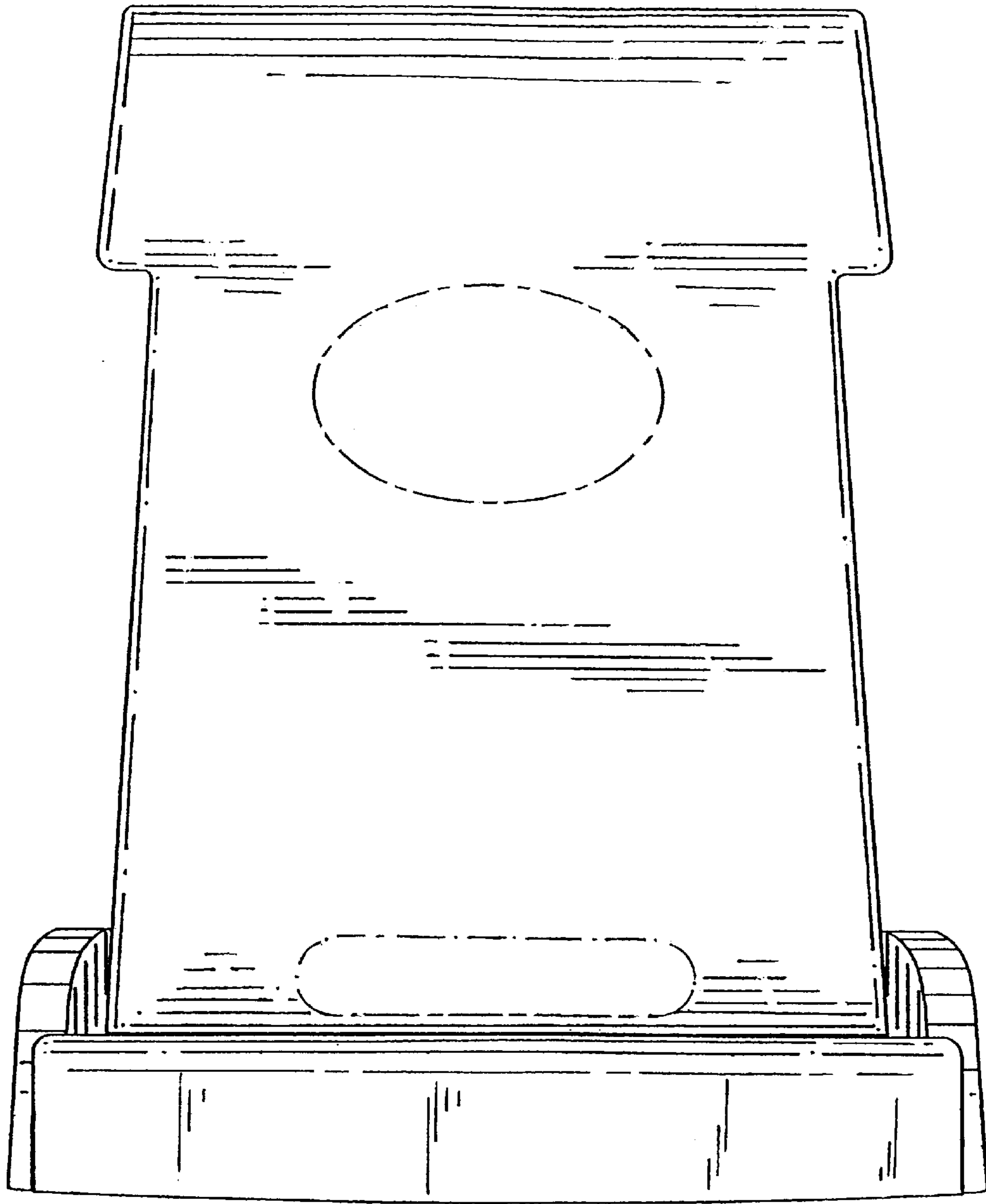


Figure 1

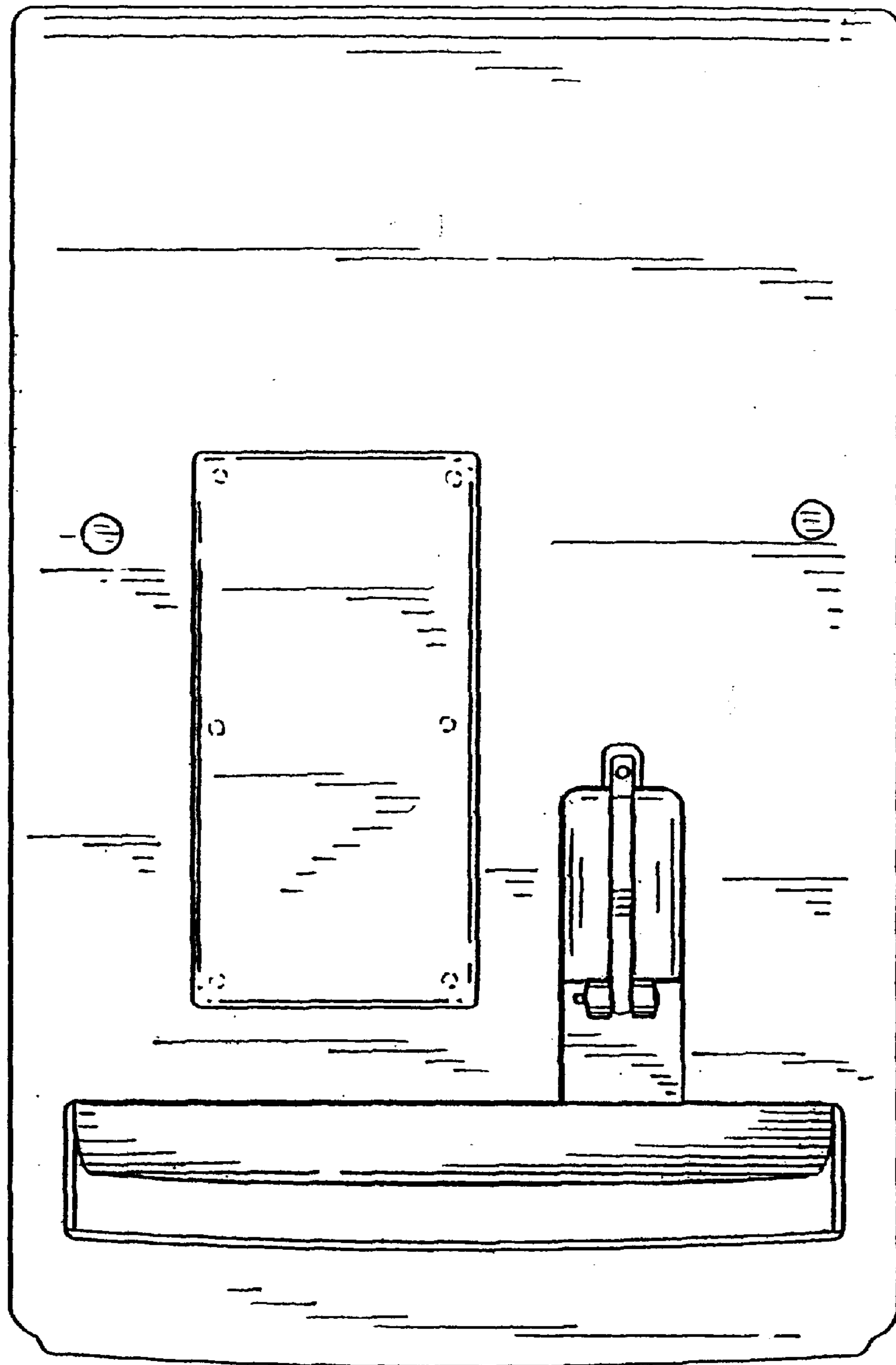


Figure 2

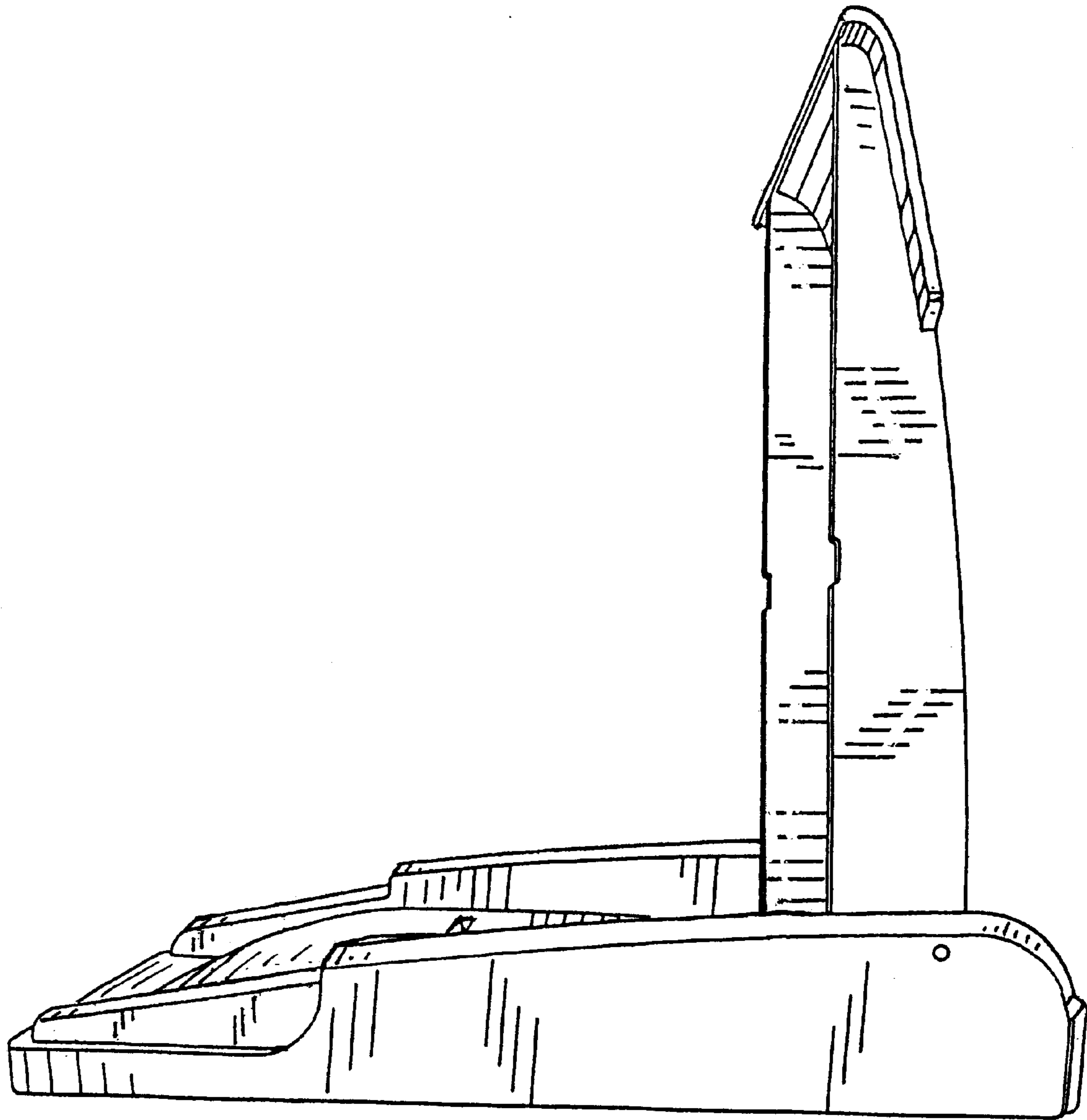


Figure 3

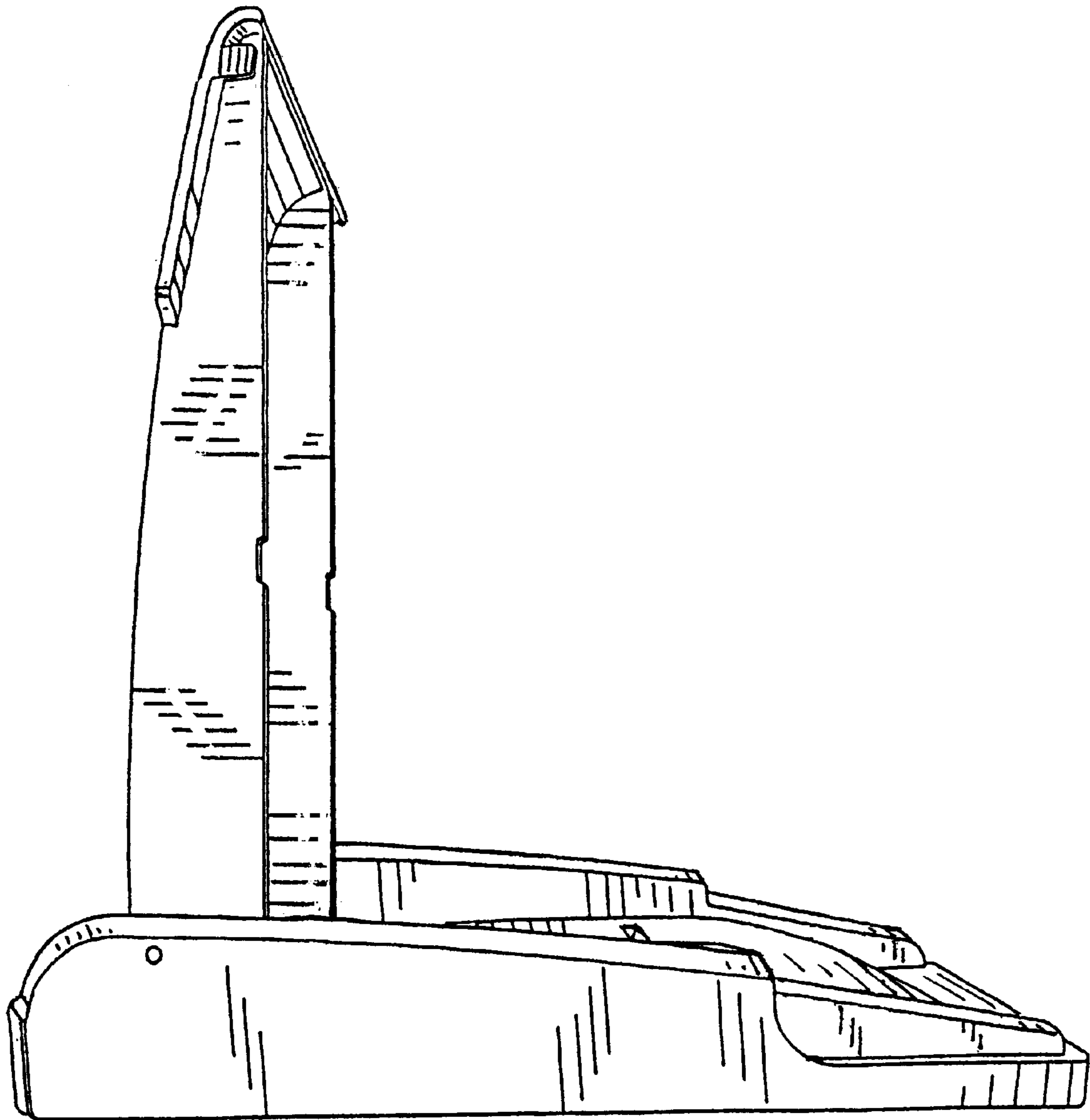


Figure 4

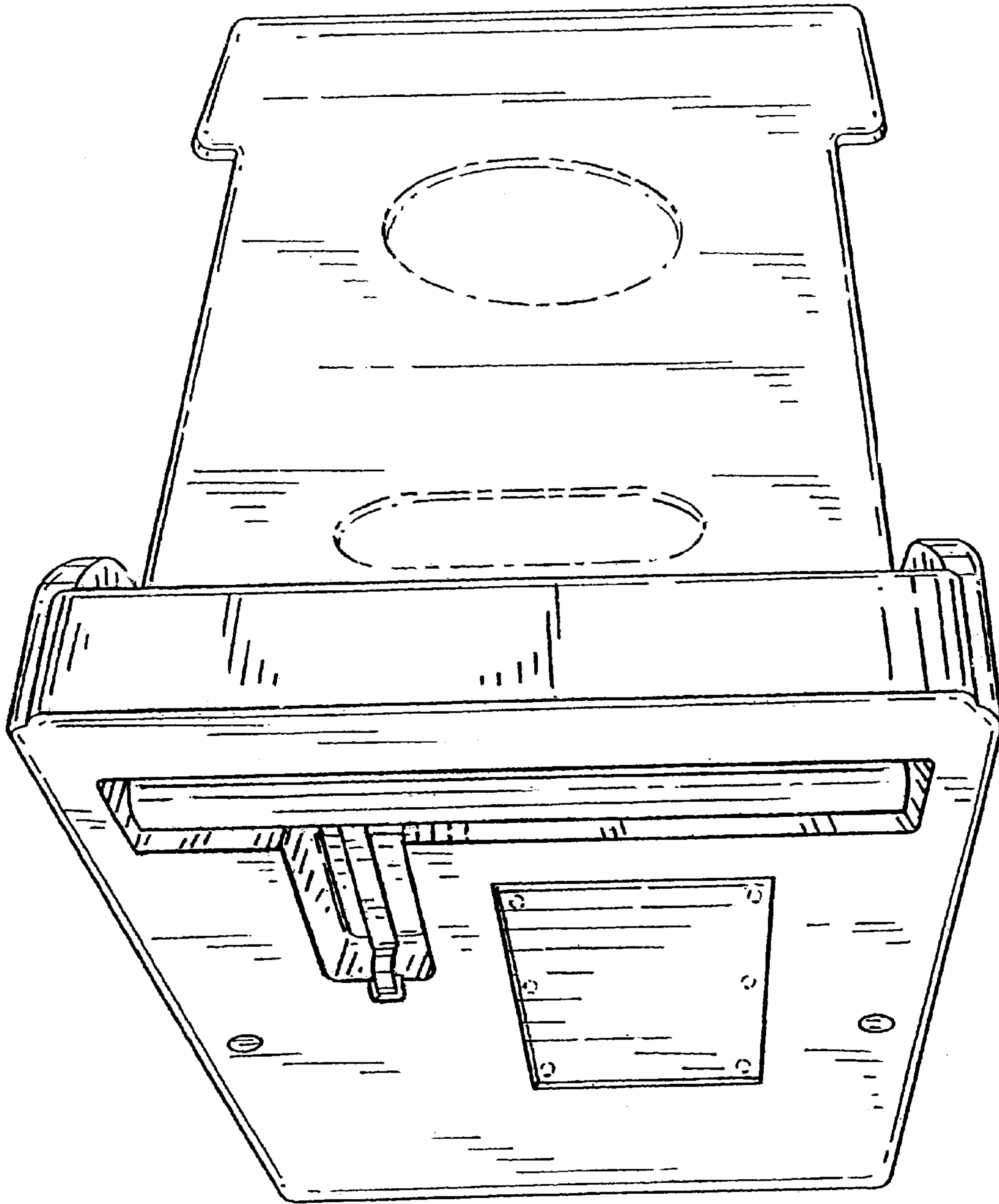


Figure 5

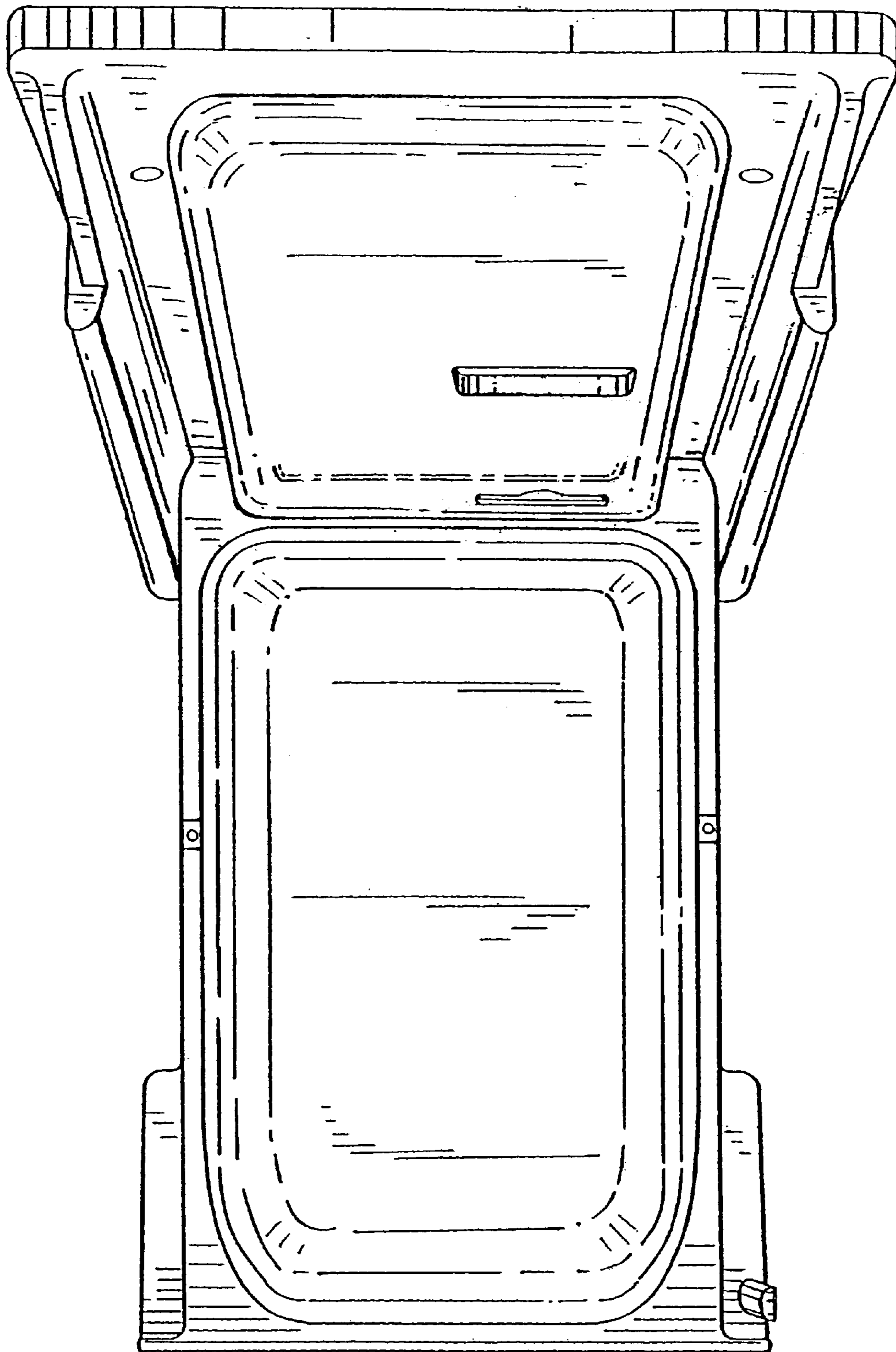


Figure 6

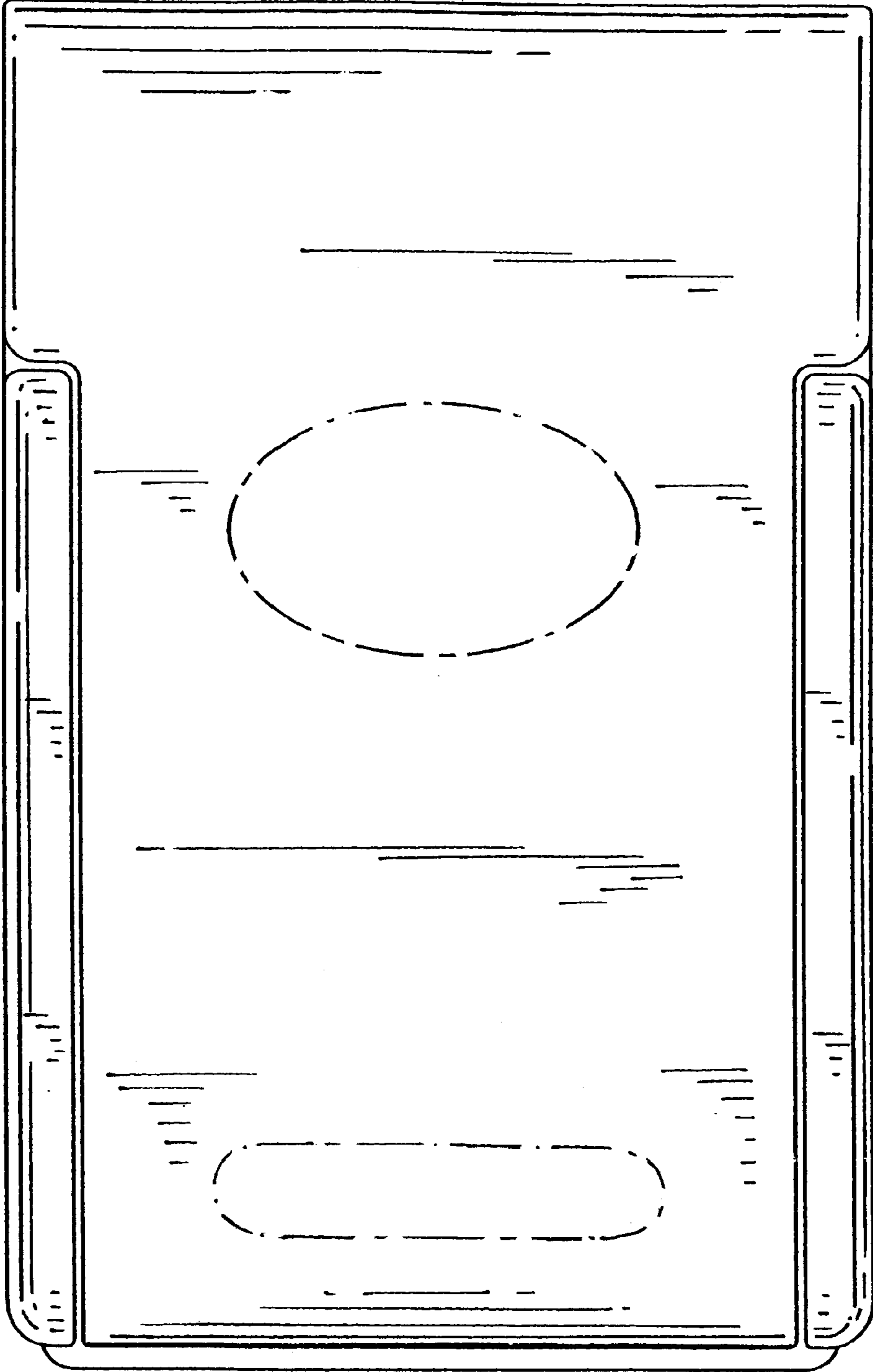


Figure 7

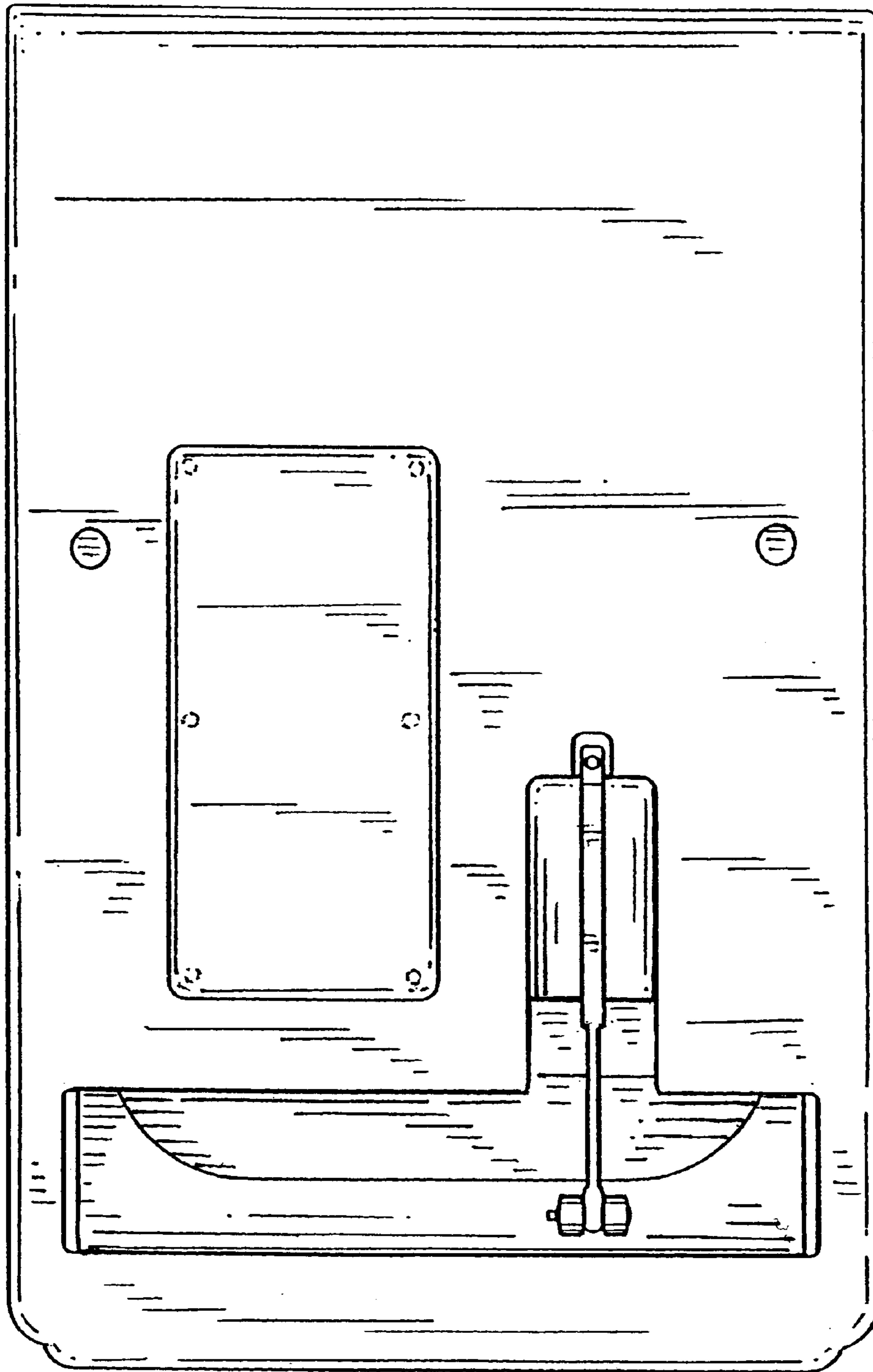


Figure 8

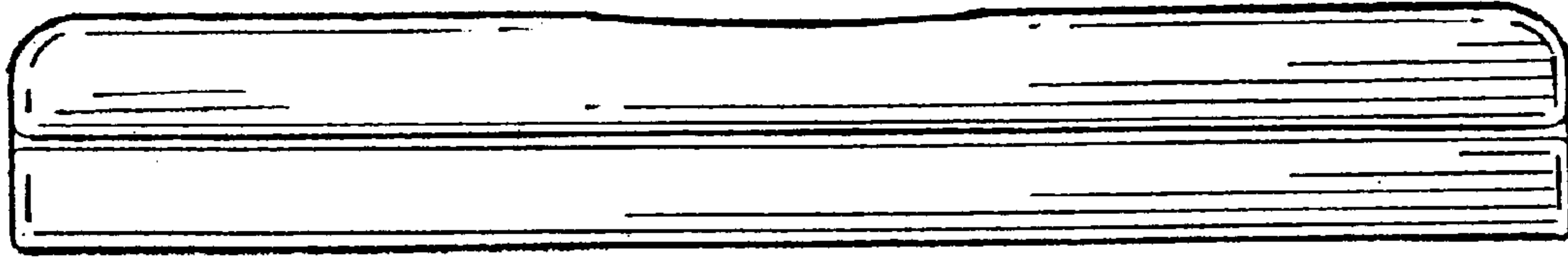


Figure 9

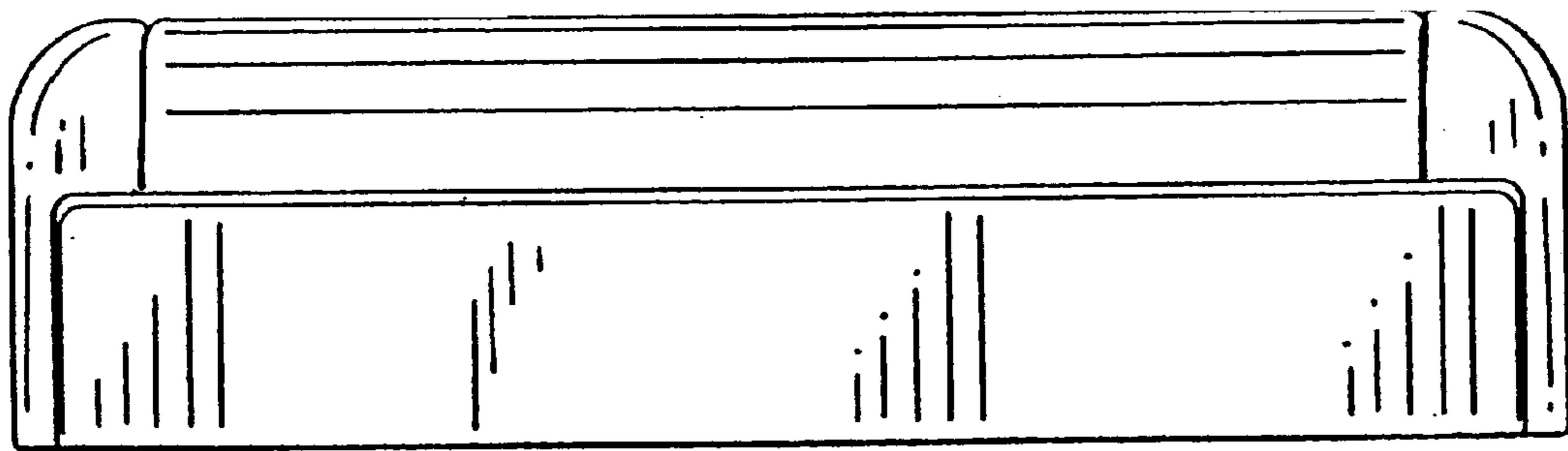


Figure 10

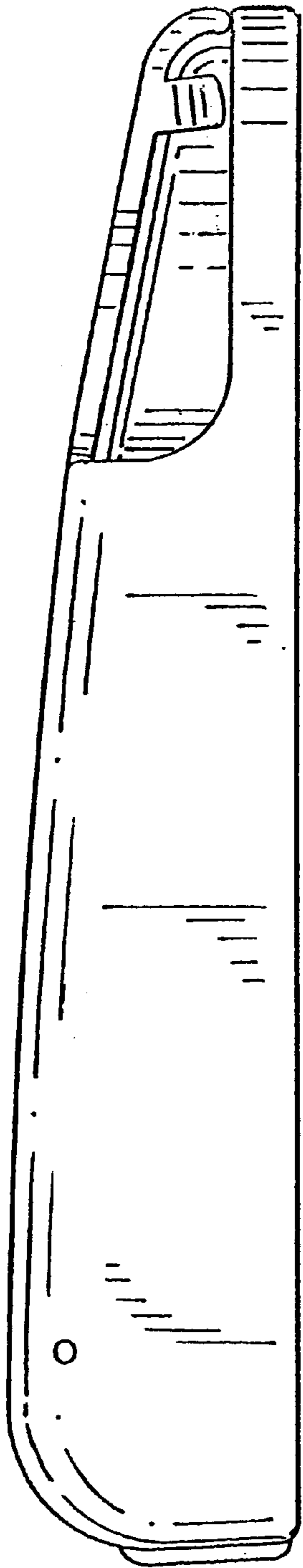


Figure 12

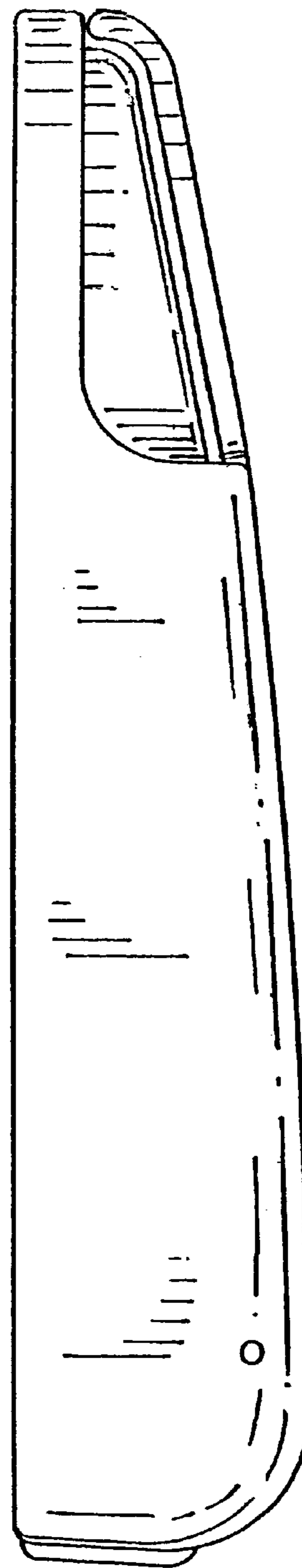


Figure 11