



US00D523650S

(12) **United States Design Patent**
Skalka

(10) **Patent No.:** **US D523,650 S**
(45) **Date of Patent:** **** Jun. 27, 2006**

(54) **MODULAR COMPONENT FOR USE AS A TABLE TOP AND BENCH SEAT**

(75) Inventor: **Gerald P. Skalka**, Potomac, MD (US)

(73) Assignee: **Victor Stanley, Inc.**, Dunkirk, MD (US)

(**) Term: **14 Years**

(21) Appl. No.: **29/204,600**

(22) Filed: **May 3, 2004**

(51) **LOC (8) Cl.** **06-01**

(52) **U.S. Cl.** **D6/349**

(58) **Field of Classification Search** D6/334-339, D6/349, 352, 364-366, 353, 369, 370, 495, D6/500-502, 367, 368, 379, 480, 481, 483, D6/484; 5/12.1; 297/445.1, 232, 446.1, 447.3, 297/448.1, 452.1, 118, 119, 122-126; 312/235.9; 108/11, 13, 15, 115

See application file for complete search history.

(56) **References Cited**

U.S. PATENT DOCUMENTS

D216,115 S * 11/1969 Suzuki D6/370

(Continued)

OTHER PUBLICATIONS

Product Nos. P2587, P3373, A6631, CR 8675 and CR8681, "Wabash Valley 2002 'Plastisol' Coated Furniture Catalog," pp. 47, 50, 64, and 93 (2000).

(Continued)

Primary Examiner—Sandra S. Snapp

(74) *Attorney, Agent, or Firm*—Jacobson Holman PLLC

(57) **CLAIM**

The ornamental design for a modular component for use as a table top and bench seat, as shown and described.

DESCRIPTION

FIG. 1 is a perspective view of a modular component for use as a table top and bench seat showing my new design.

FIG. 2 is a front elevational view of the modular component of FIG. 1, the back elevational view being the mirror image thereof.

FIG. 3 is a right side elevational view of the modular component of FIG. 1, the left side elevational view being the mirror image thereof.

FIG. 4 is a top plan view of the modular component of FIG. 1.

FIG. 5 is a bottom plan view of the modular component of FIG. 1.

FIG. 6 is a perspective view of a modular component for use as a table top and bench seat showing a second embodiment of my new design.

FIG. 7 is a front elevational view of the modular component of FIG. 6, the back elevational view being the mirror image thereof.

FIG. 8 is a right side elevational view of the modular component of FIG. 6, the left side elevational view being the mirror image thereof.

FIG. 9 is a top plan view of the modular component of FIG. 6.

FIG. 10 is a bottom plan view of the modular component of FIG. 6.

FIG. 11 is a perspective view of a modular component for use as a table top and bench seat showing a third embodiment of my new design.

FIG. 12 is a front elevational view of the modular component of FIG. 11, the back elevational view being the mirror image thereof.

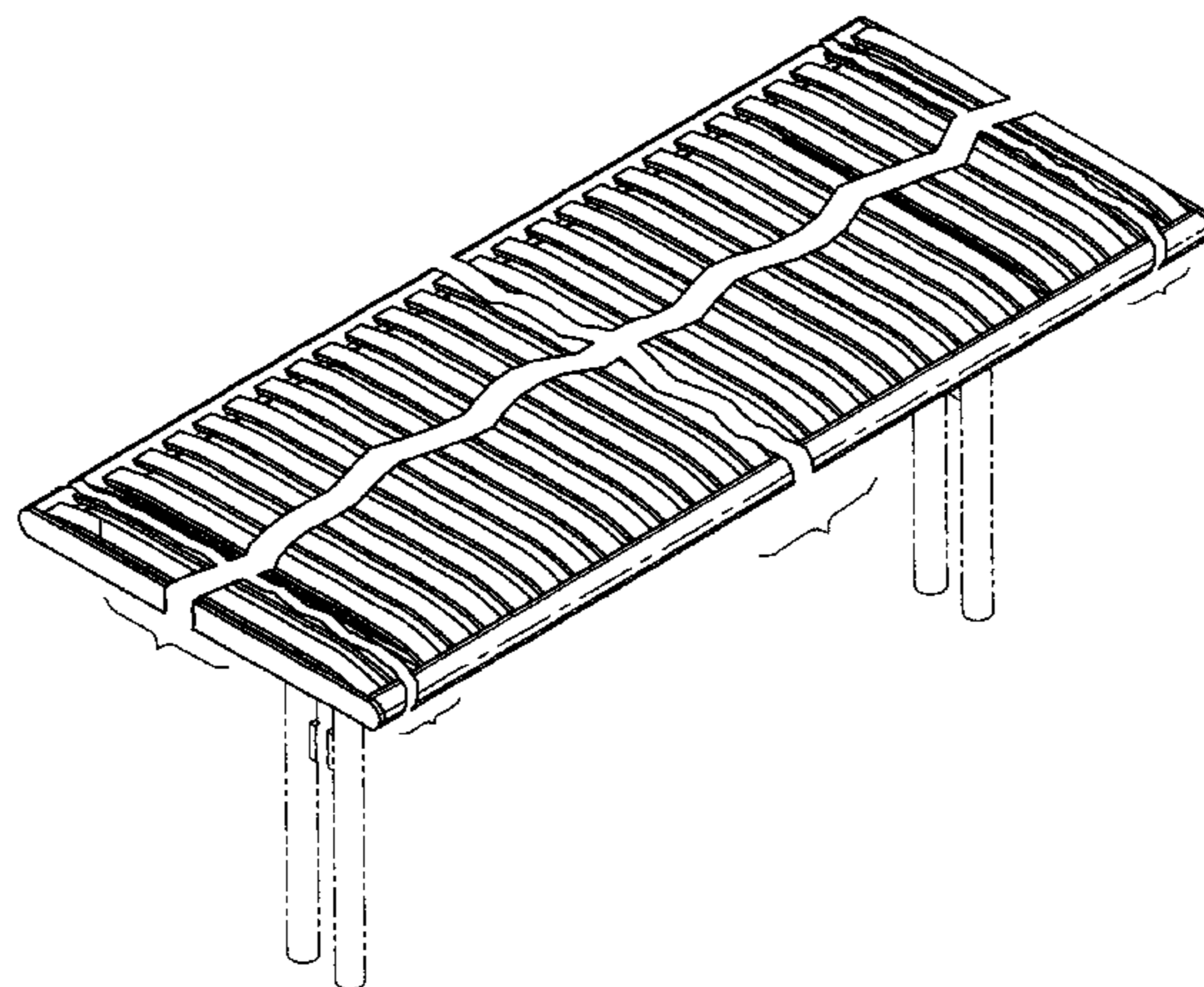
FIG. 13 is a right side elevational view of the modular component of FIG. 11, the left side elevational view being the mirror image thereof,

FIG. 14 is a top plan view of the modular component of FIG. 11.

FIG. 15 is a bottom plan view of the modular component of FIG. 11.

The modular component of the drawings shown with portions broken away indicate indeterminate lengths or widths. The broken line showing of legs in the figures is environmental only and forms no part of the claimed design.

1 Claim, 6 Drawing Sheets



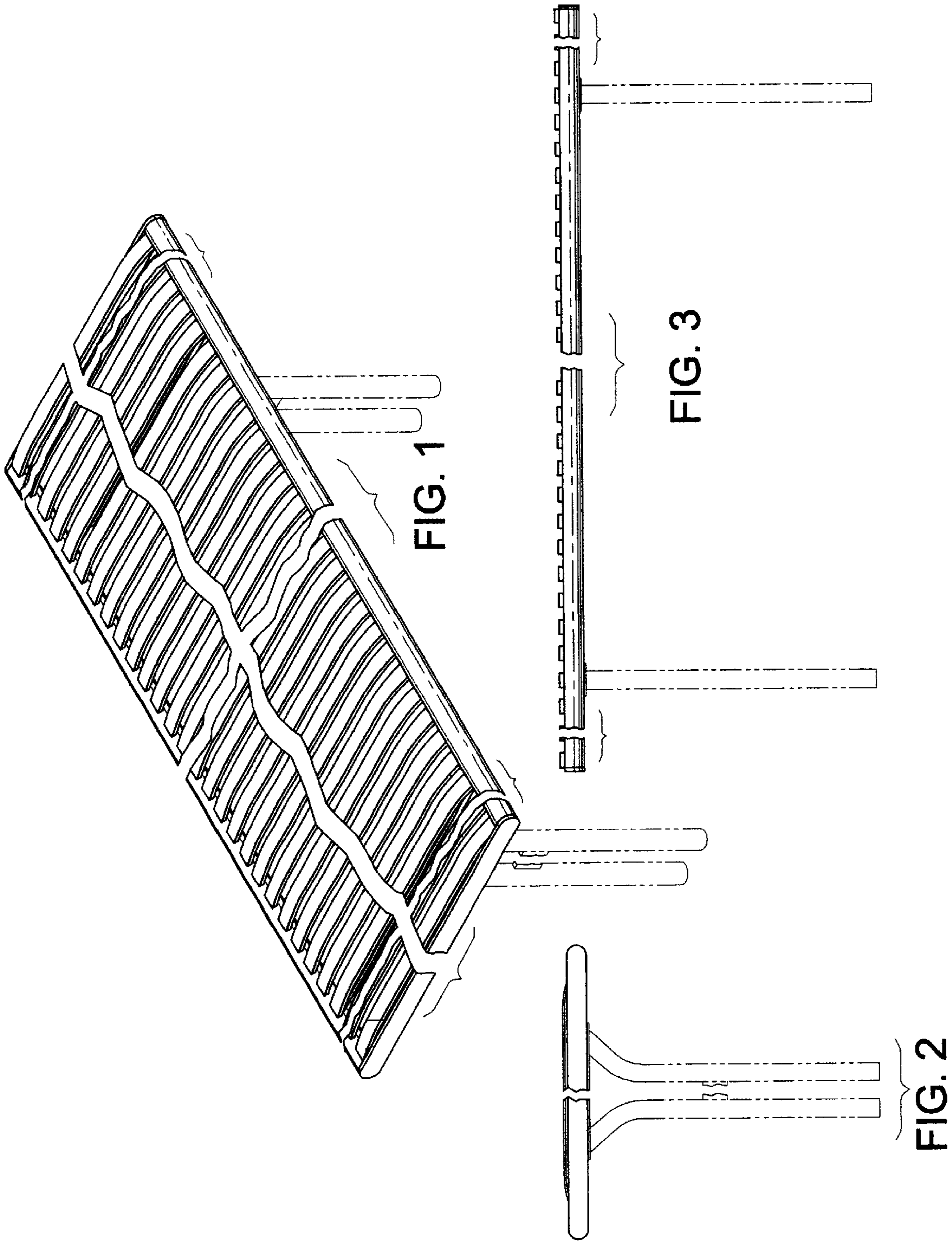
U.S. PATENT DOCUMENTS

D263,353 S	*	3/1982	Beals	D6/370
D314,677 S	*	2/1991	Hanna	D6/381
D336,796 S	*	6/1993	Chang	D6/370
D360,538 S		7/1995	Skalka		
D361,901 S	*	9/1995	Szekely	D6/370
D370,570 S	*	6/1996	Green et al.	D6/370
D372,133 S	*	7/1996	Slear	D6/370
D376,271 S		12/1996	Skalka		
D380,313 S	*	7/1997	Slear	D6/370
D383,615 S		9/1997	Skalka		
D396,963 S	*	8/1998	Jeng	D6/358
D399,662 S	*	10/1998	Jeng	D6/358
D401,770 S	*	12/1998	Jeng	D6/358
D406,700 S	*	3/1999	Slear	D6/376
D408,660 S	*	4/1999	Donnelly	D6/500
D409,011 S	*	5/1999	Jeng	D6/358
D409,401 S	*	5/1999	Jeng	D6/358
D409,402 S	*	5/1999	Jeng	D6/358
D409,410 S	*	5/1999	Jeng	D6/381
D409,850 S	*	5/1999	Jeng	D6/370
D413,738 S	*	9/1999	Hornyak	D6/370
D419,341 S	*	1/2000	Chipman	D6/492
D446,399 S	*	8/2001	Slear	D6/370
D457,742 S	*	5/2002	Arnold	D6/370
D458,044 S	*	6/2002	Slear et al.	D6/370
D466,318 S	*	12/2002	Arnold	D6/370
D467,101 S	*	12/2002	Hughes	D6/495
D468,126 S	*	1/2003	Pappas	D6/381
D468,550 S	*	1/2003	Pappas	D6/381
D473,063 S	*	4/2003	Pappas	D6/381
D473,391 S	*	4/2003	Haney et al.	D6/370
D486,004 S	*	2/2004	Haney et al.	D6/379
D486,664 S	*	2/2004	Pappas	D6/381
D488,934 S	*	4/2004	Milinov	D6/336
D498,079 S	*	11/2004	Messier	D6/381

OTHER PUBLICATIONS

Product Models IPR-48, NTRS, FTRS, FRST-6, and FTRS-24, Victor Stanley, Inc., www.victorstanelly.com/products.

* cited by examiner



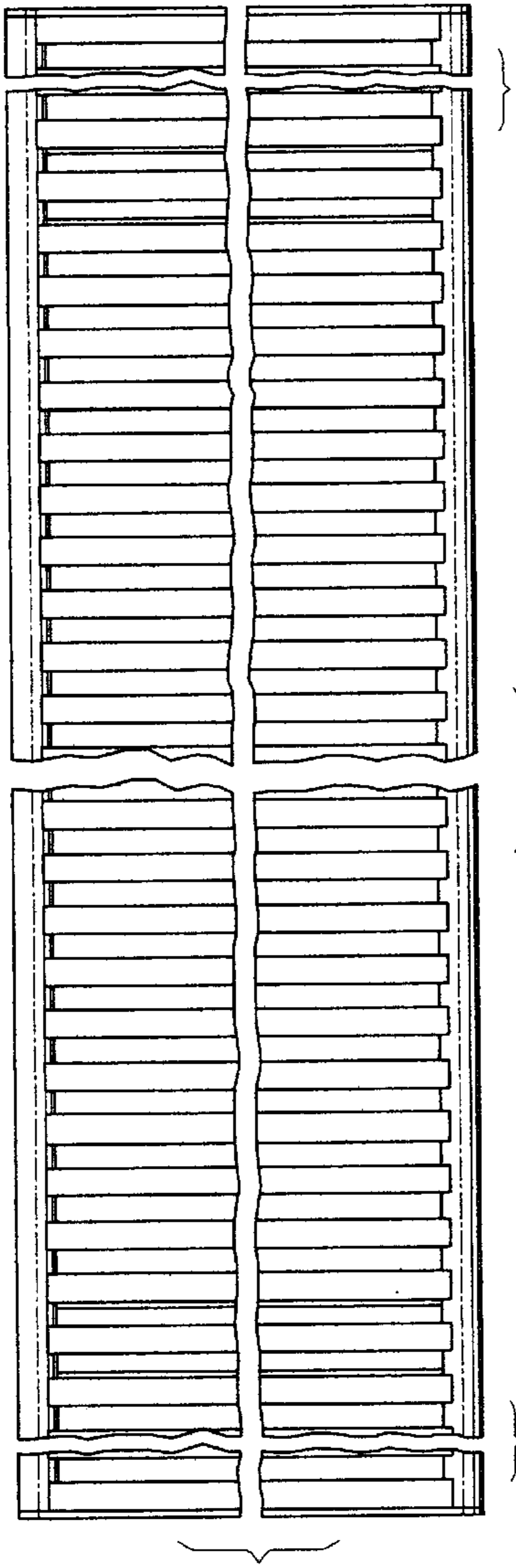


FIG. 4

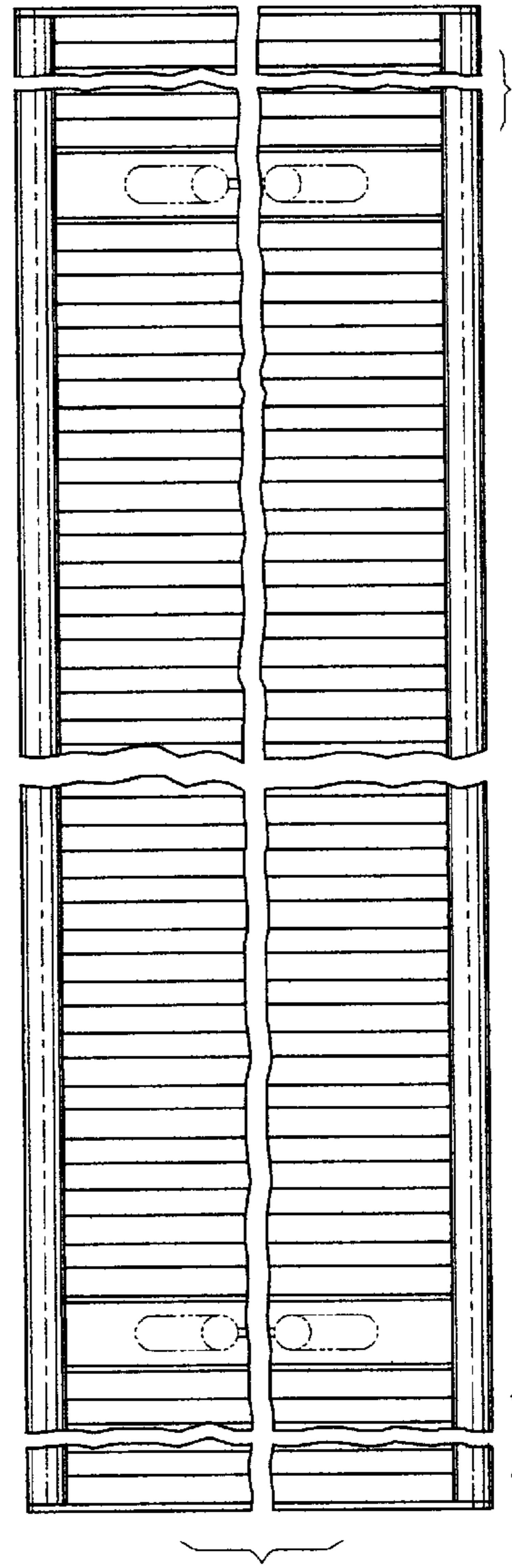


FIG. 5

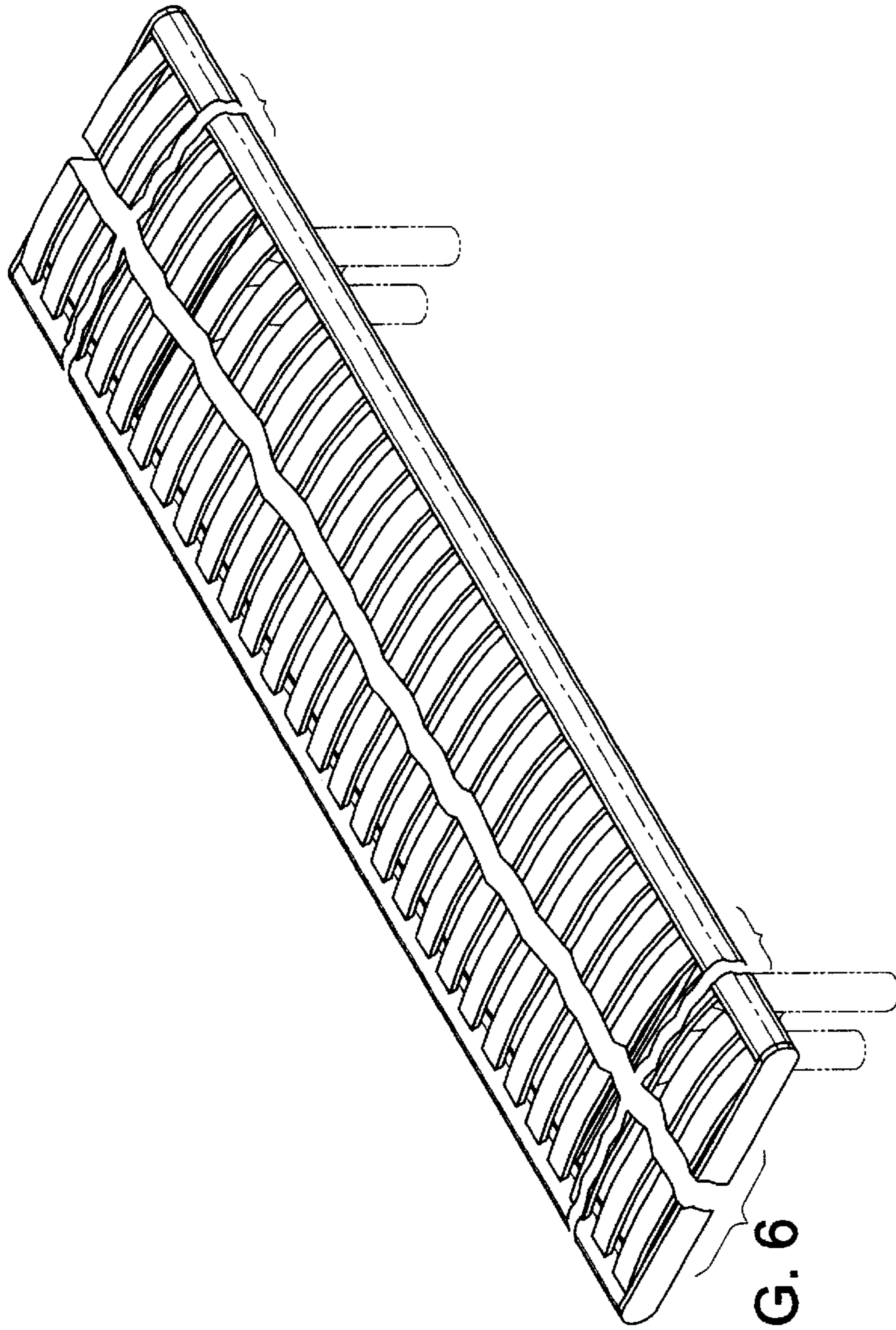


FIG. 6

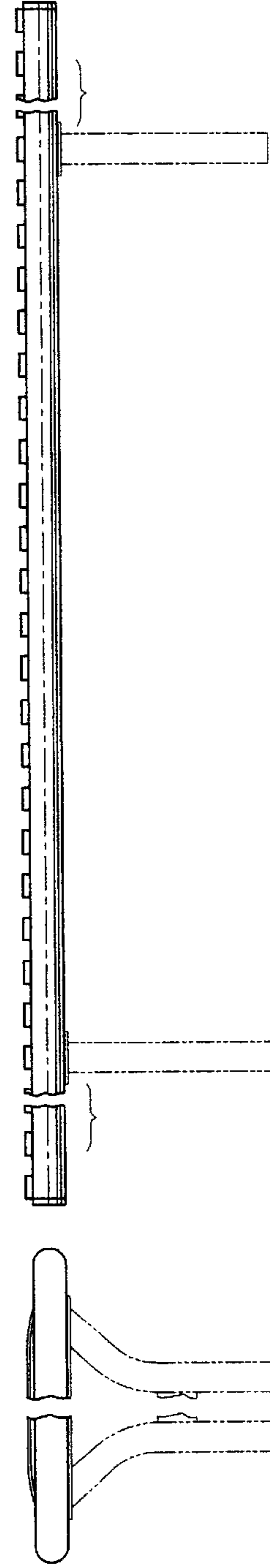


FIG. 8

FIG. 7

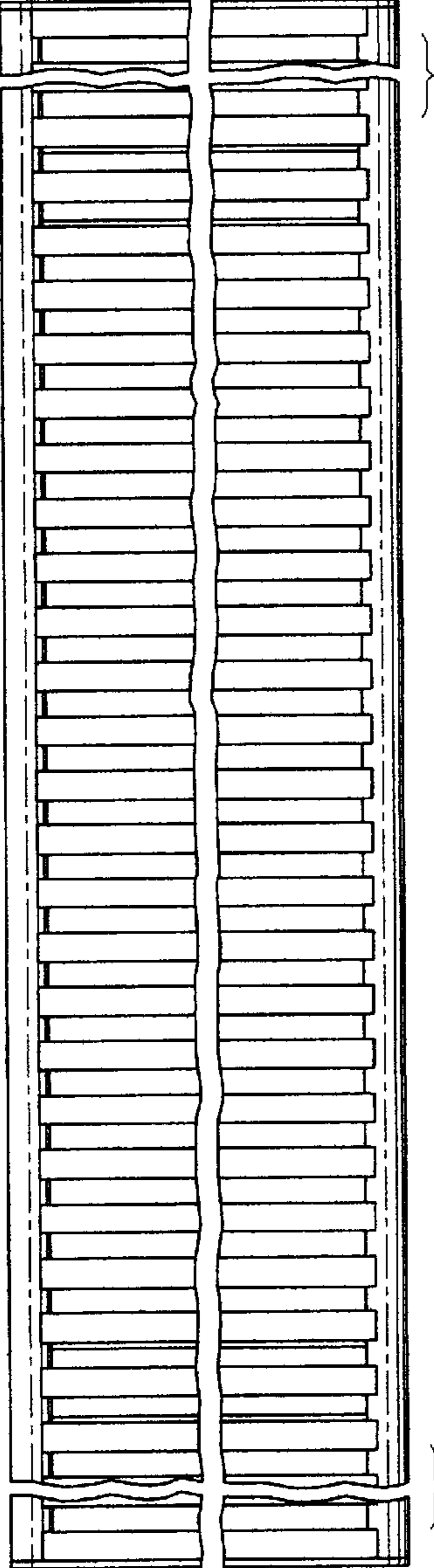


FIG. 9

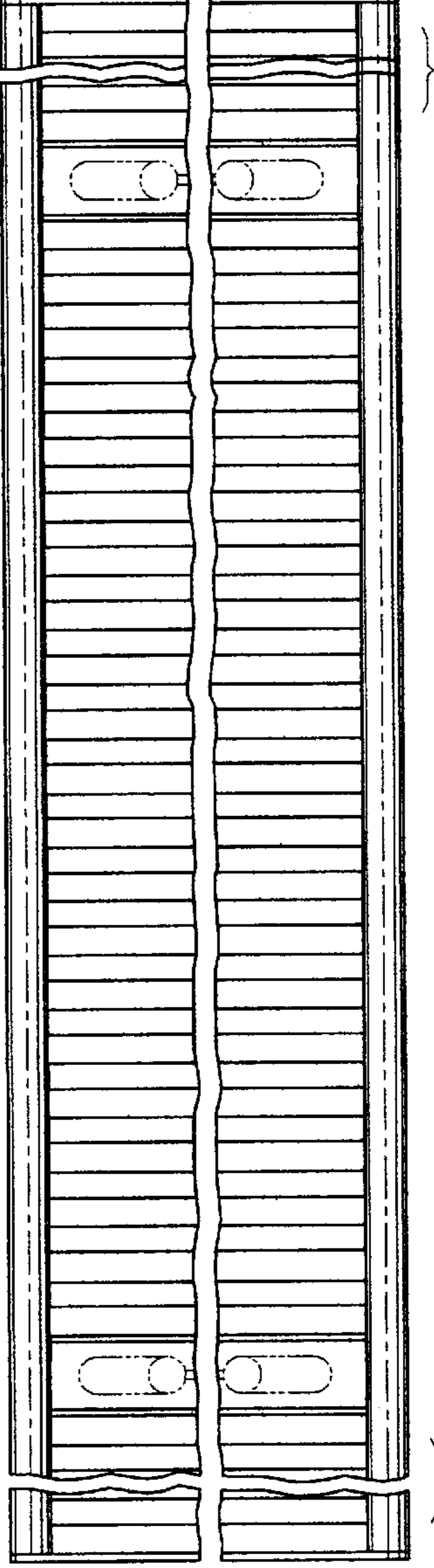


FIG. 10

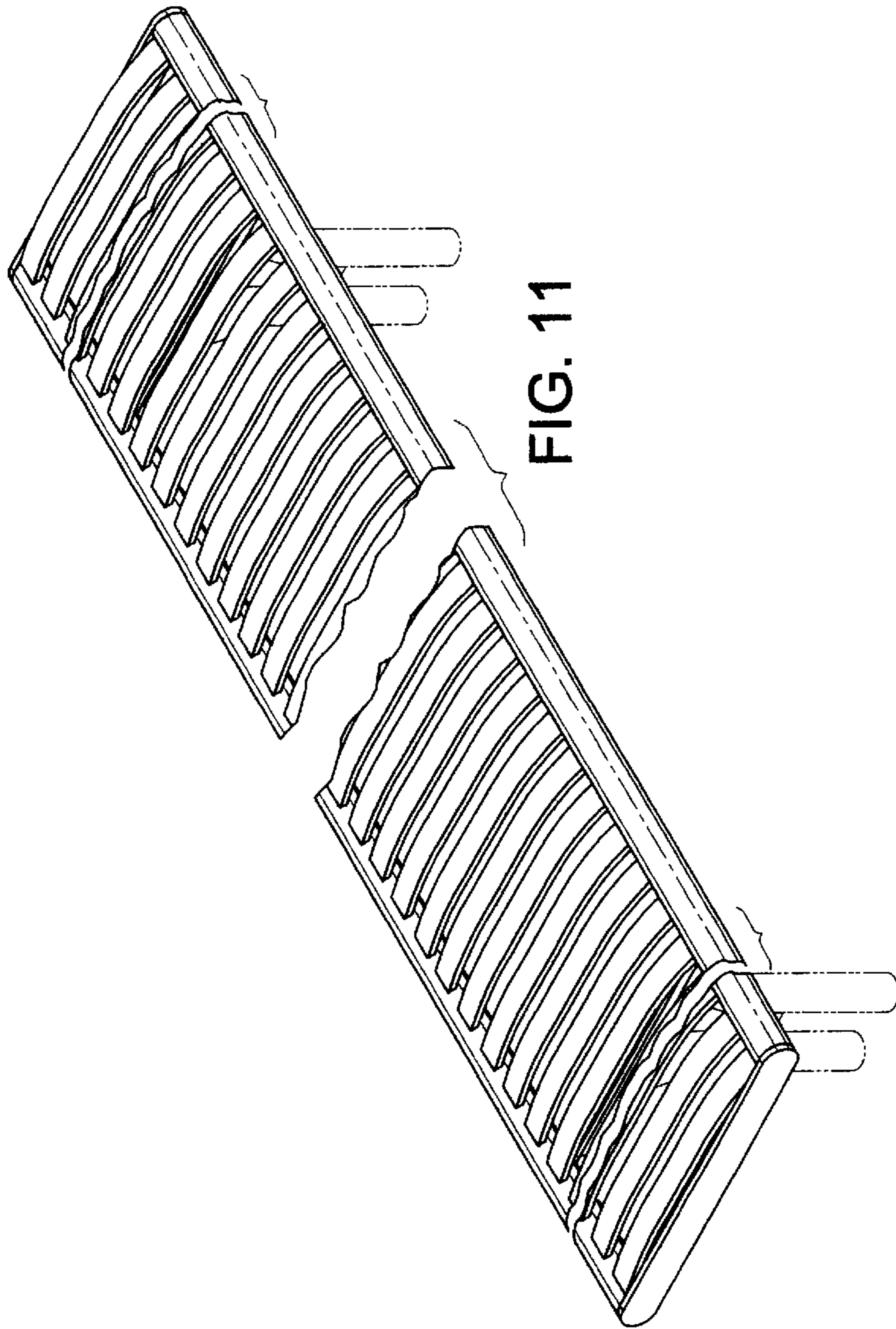


FIG. 11

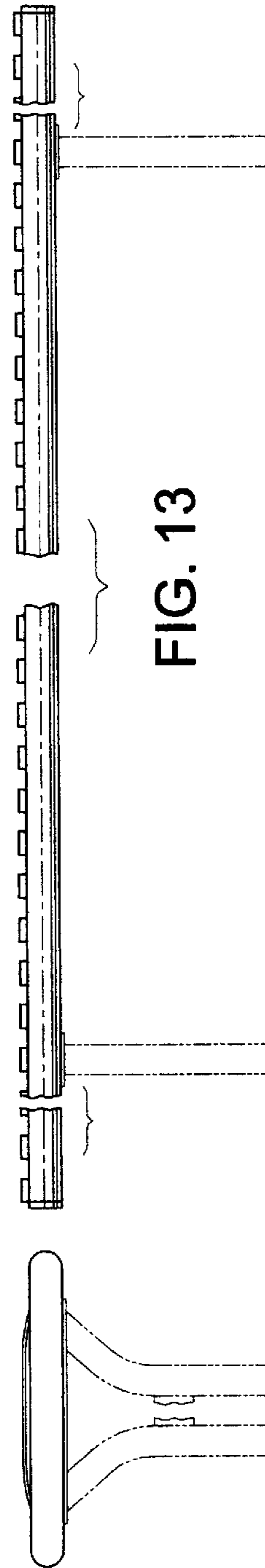


FIG. 13

FIG. 12

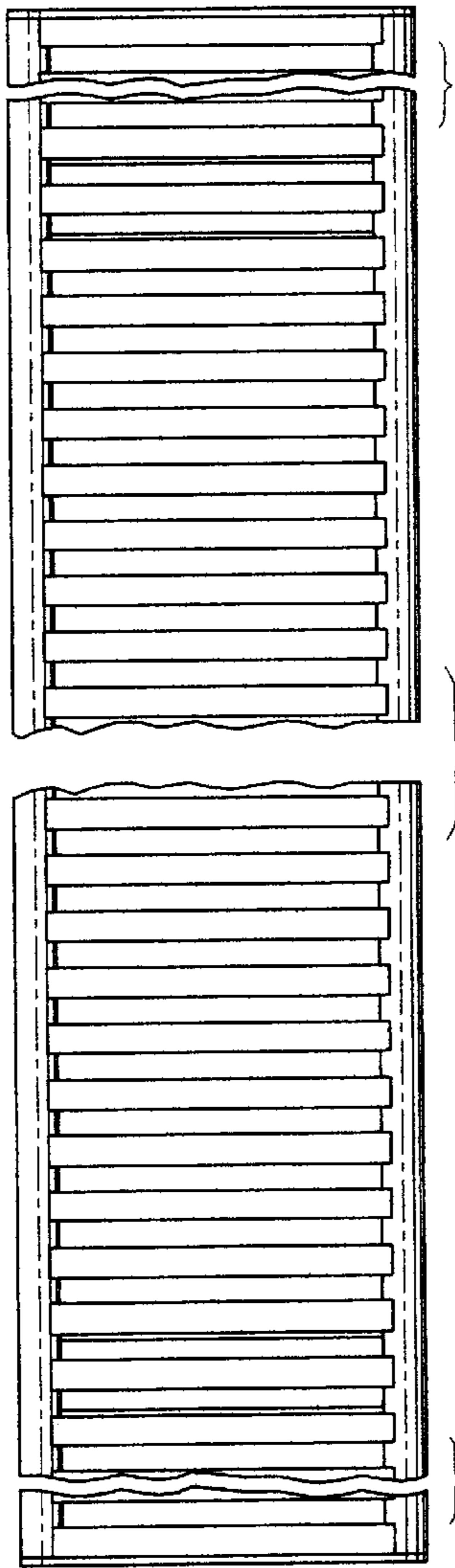


FIG. 14

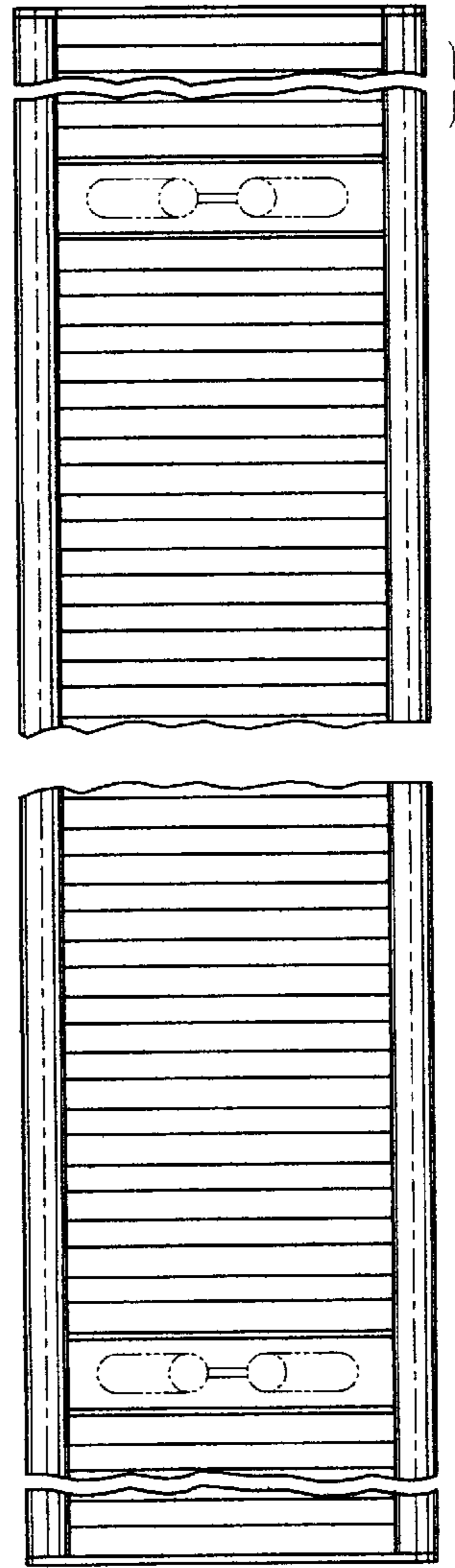


FIG. 15