



US00D523649S

(12) **United States Design Patent**
Sanford-Schwentke

(10) **Patent No.:** **US D523,649 S**

(45) **Date of Patent:** **** Jun. 27, 2006**

(54) **RECLINING ROCKER**

(75) **Inventor:** **Anthony Sanford-Schwentke,**
Burgdorg (GB)

(73) **Assignee:** **North Pole Limited,** Kowloon (HK)

(**) **Term:** **14 Years**

(21) **Appl. No.:** **29/205,692**

(22) **Filed:** **May 18, 2004**

(51) **LOC (8) Cl.** **06-01**

(52) **U.S. Cl.** **D6/348; D6/361**

(58) **Field of Classification Search** D6/334-336,
D6/344, 348, 361, 367, 368, 371-373, 374,
D6/375, 379, 380, 500-502; 297/258.1, 271.5,
297/271.6, 272.1, 351, 377, 452.13, 440.1,
297/16.1, 19, 20, 22, 29, 31, 32, 35, 270.4;
5/110, 112, 114; D21/688

See application file for complete search history.

(56) **References Cited**

U.S. PATENT DOCUMENTS

326,968	A	*	9/1885	Gibson	297/270.4
1,185,181	A	*	5/1916	Collins	5/112
1,462,005	A	*	7/1923	Hall	297/31
1,864,798	A	*	6/1932	Bryden	297/29
2,017,599	A	*	10/1935	Lehner	297/32
2,543,543	A	*	2/1951	Gomes et al.	297/20
3,716,271	A	*	2/1973	Kurz	297/19

4,047,753	A	*	9/1977	Uchida	297/32
4,441,756	A	*	4/1984	Liou et al.	297/35
5,560,675	A	*	10/1996	Alzheimer et al.	297/258.1
5,931,526	A	*	8/1999	Tseng	297/31
6,257,660	B1	*	7/2001	Calvey	297/16.1
6,439,656	B1	*	8/2002	Liu	297/271.6
6,471,287	B1	*	10/2002	Liu	297/32
6,926,356	B1	*	8/2005	Chen	297/35
6,955,398	B1	*	10/2005	Reese	297/271.6
2003/0214159	A1	*	11/2003	Brandschain	297/32
2005/0022303	A1	*	2/2005	Chen	5/110

* cited by examiner

Primary Examiner—Mimosa De

(74) *Attorney, Agent, or Firm*—Armstrong Teasdale LLP

(57) **CLAIM**

The ornamental design of a reclining rocker, as shown and described.

DESCRIPTION

FIG. 1 is a perspective view showing of a reclining rocker incorporating the new design;

FIG. 2 is a front elevation view thereof;

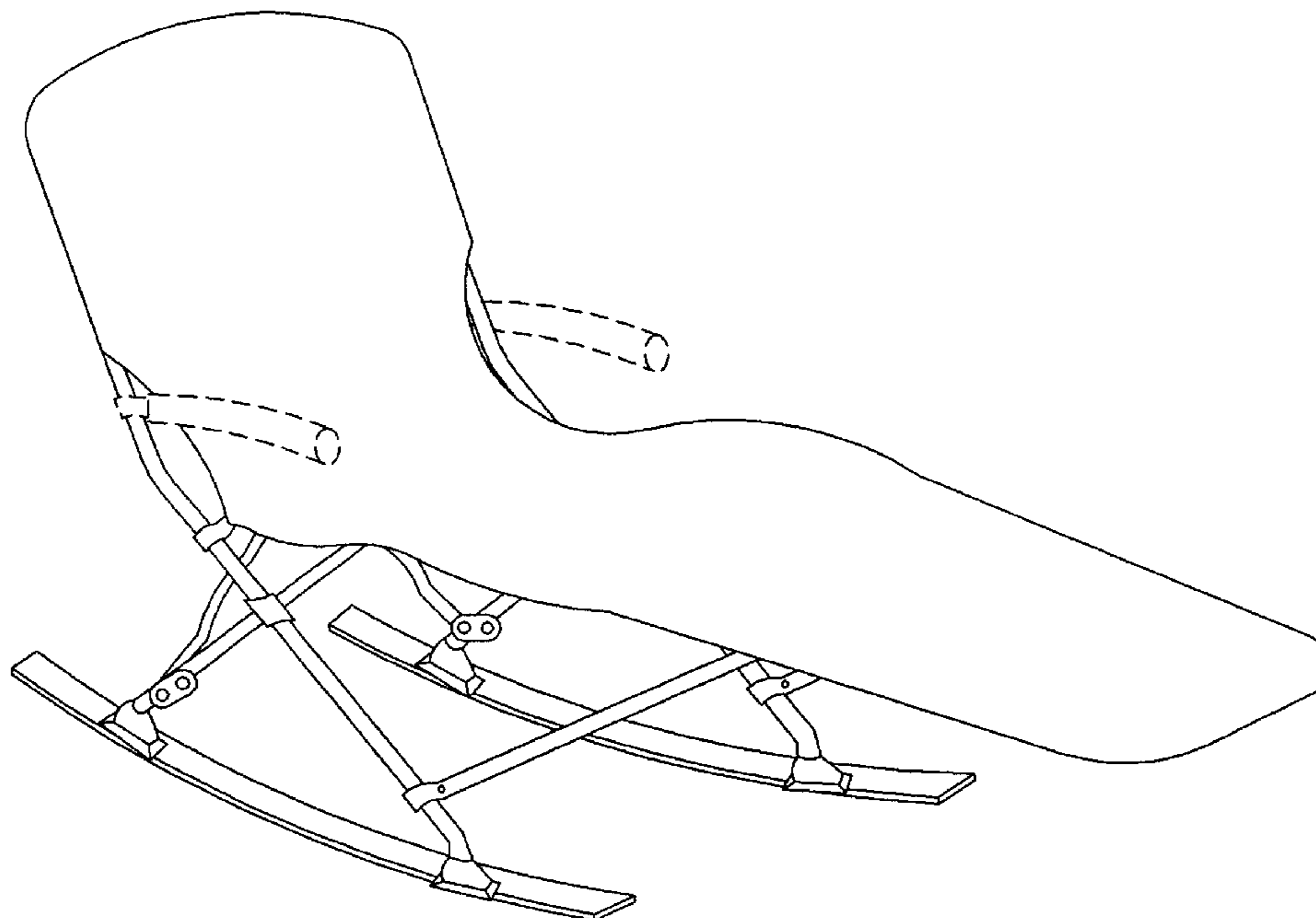
FIG. 3 is a rear elevation view thereof;

FIG. 4 is a top plan view thereof; and,

FIG. 5 is a right side elevation view thereof, the left side being a mirror image thereof.

The broken lines are shown for illustrative purposes only and form no part of the claimed design.

1 Claim, 5 Drawing Sheets



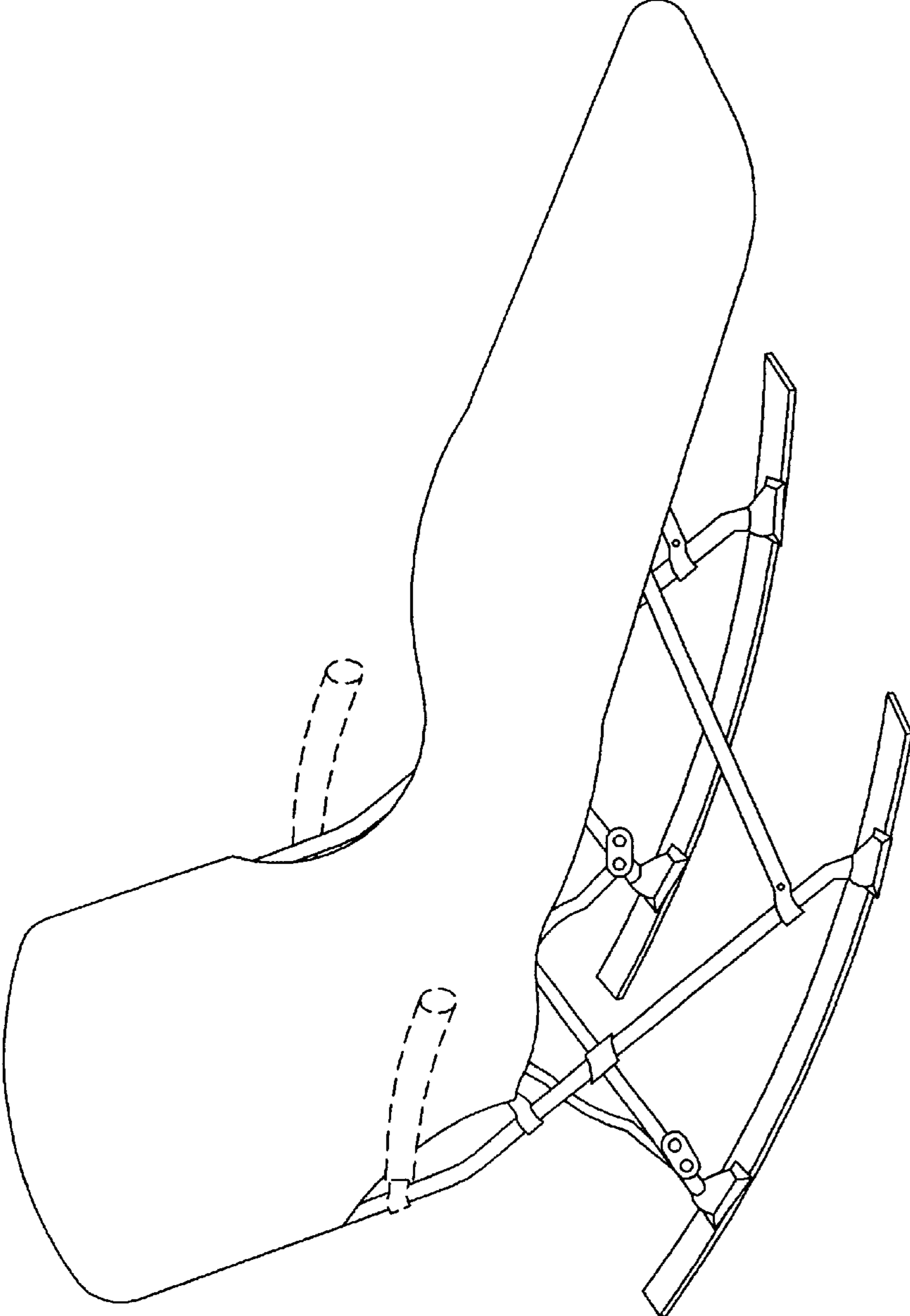


FIG. 1

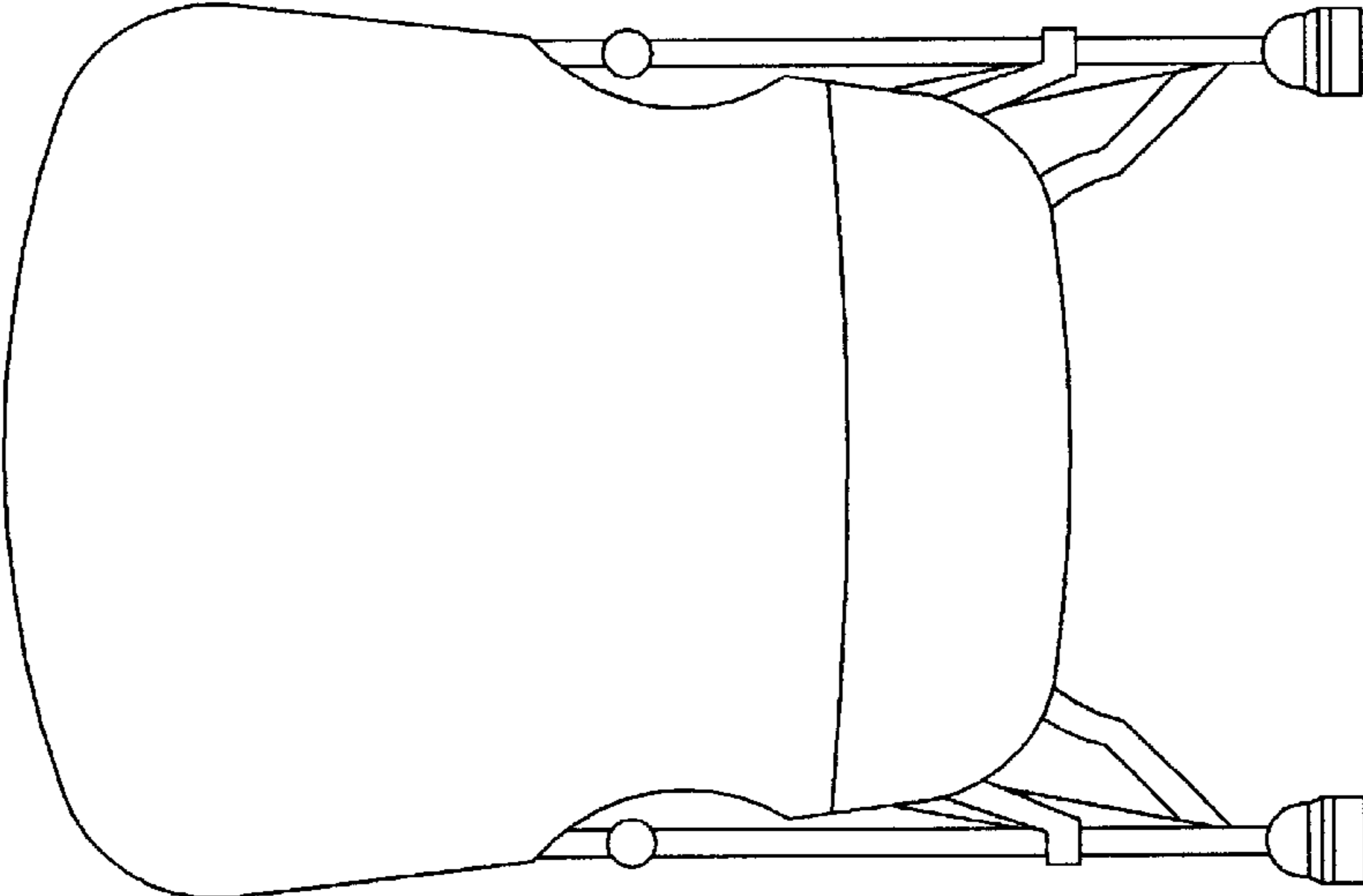


FIG. 2

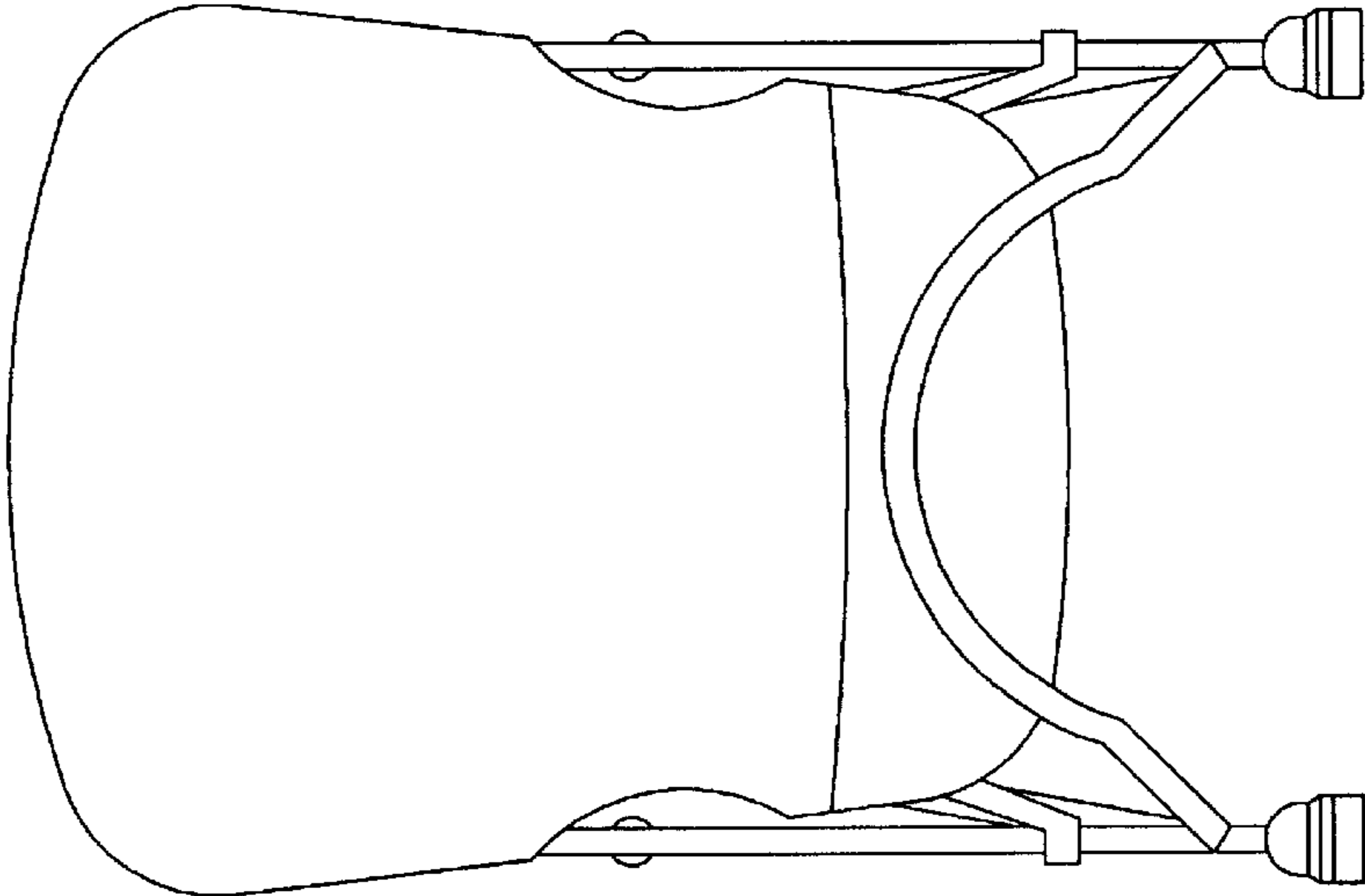


FIG. 3

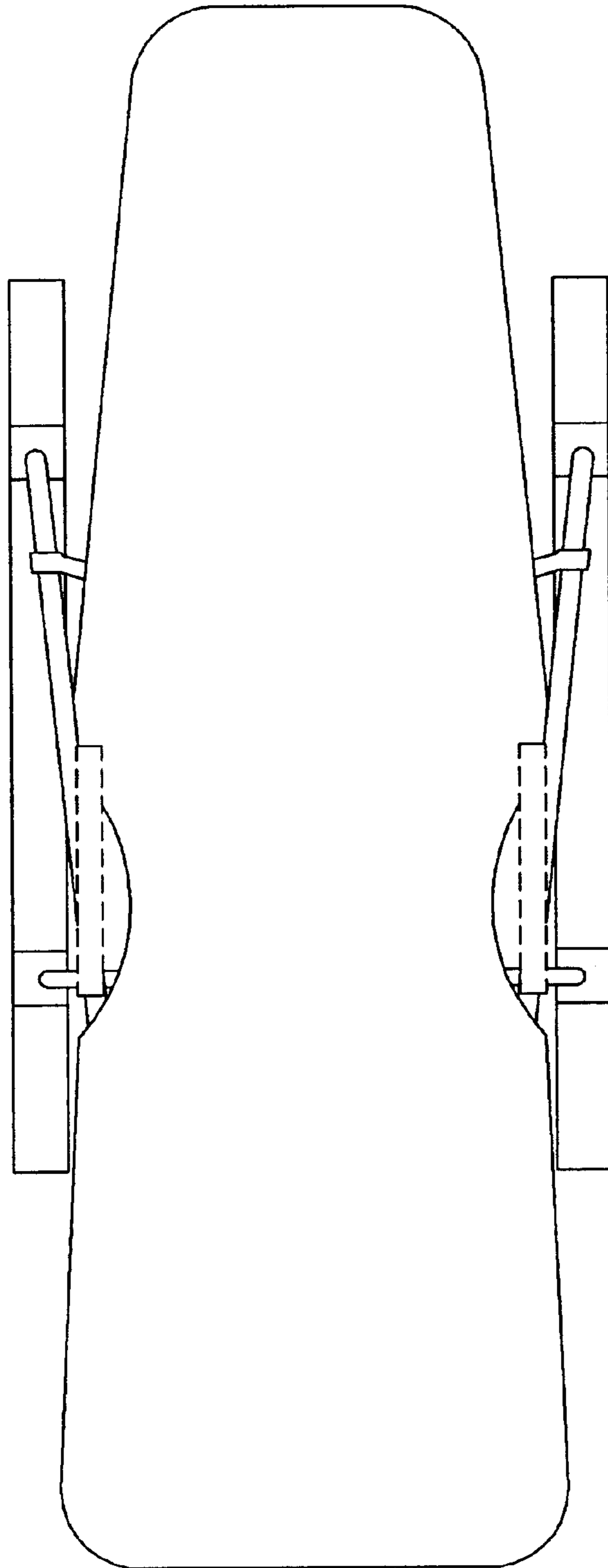


FIG. 4

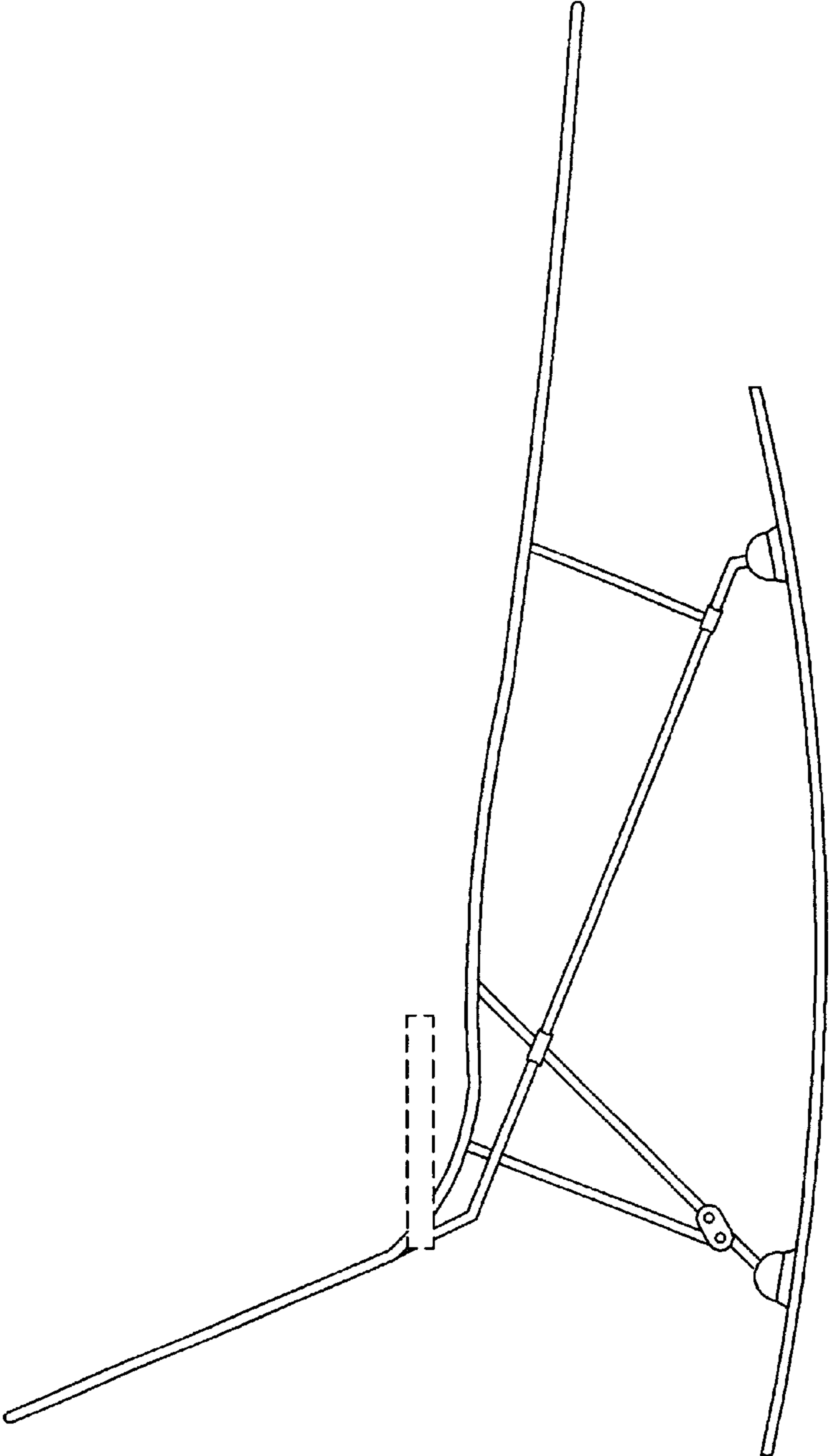


FIG. 5