



US00D523644S

(12) **United States Design Patent** (10) **Patent No.:** **US D523,644 S**  
**Knobloch et al.** (45) **Date of Patent:** **\*\* Jun. 27, 2006**

(54) **SURFACE PATTERN OF A PAPER PRODUCT**

(75) Inventors: **Thorsten Knobloch**, Loveland, OH (US); **Luis Bernardo De La Rosa**, Mason, OH (US); **Gregg Thomas Weaver**, Liberty Township, OH (US)

(73) Assignee: **The Procter & Gamble Company**, Cincinnati, OH (US)

(\*\*) Term: **14 Years**

(21) Appl. No.: **29/236,758**

(22) Filed: **Aug. 22, 2005**

**Related U.S. Application Data**

(62) Division of application No. 29/213,823, filed on Sep. 23, 2004, now Pat. No. Des. 508,613.

(51) **LOC (8) Cl.** ..... **05-06**

(52) **U.S. Cl.** ..... **D5/57**

(58) **Field of Classification Search** ..... D5/1-3, D5/5, 7-8, 11, 13-16, 19-20, 23-28, 30, D5/32, 35-37, 39, 43, 45, 47, 49-50, 52-66, D5/99; D2/749, 994; D6/582-583, 595-596, D6/598, 608, 603-606, 613, 616, 617, 619, D6/622; 428/17-18, 151, 154, 156, 171, 428/187, 198, 199, 540, 542.2, 542.6, 919, 428/904.4; D24/124, 125; D26/142, 152; 5/413 AM, 709; 162/134, 140, 231; 156/148, 156/209; D7/396.4-5

See application file for complete search history.

(56) **References Cited**

**U.S. PATENT DOCUMENTS**

- D60,408 S \* 2/1922 Humphreys ..... D5/60
- D178,454 S \* 8/1956 Klein ..... D5/53
- D178,455 S \* 8/1956 Klein ..... D5/53
- D239,137 S \* 3/1976 Appleman ..... D5/57
- D298,702 S \* 11/1988 Drew ..... D5/53
- D349,159 S \* 7/1994 Huffman ..... D24/124
- D362,967 S 10/1995 Rothwell et al.
- D382,162 S 8/1997 Ertolacci et al.

- D382,713 S 8/1997 Giesler, Sr.
- D384,210 S 9/1997 Du Grosriez
- D386,620 S 11/1997 Giesler
- D392,108 S 3/1998 Diggins et al.
- D395,955 S 7/1998 Du Grosriez
- D416,393 S 11/1999 Enderby et al.
- D419,307 S 1/2000 Boyce

(Continued)

**FOREIGN PATENT DOCUMENTS**

GB 2093988 S \* 1/2000

**OTHER PUBLICATIONS**

- Bounty® paper towel product—2003.
- Royale Premier paper towel product—2003.
- ScotTowels Jumbo paper towel product—2003.
- Ja! paper towel product—2003.
- Tesco Ultra paper towel product—2003.
- Cascades Ultra paper towel product—2003.

*Primary Examiner*—Janice E. Seeger  
*Assistant Examiner*—T. Chase Nelson

(74) *Attorney, Agent, or Firm*—C. Brant Cook; Betty Zea; David M. Weirich

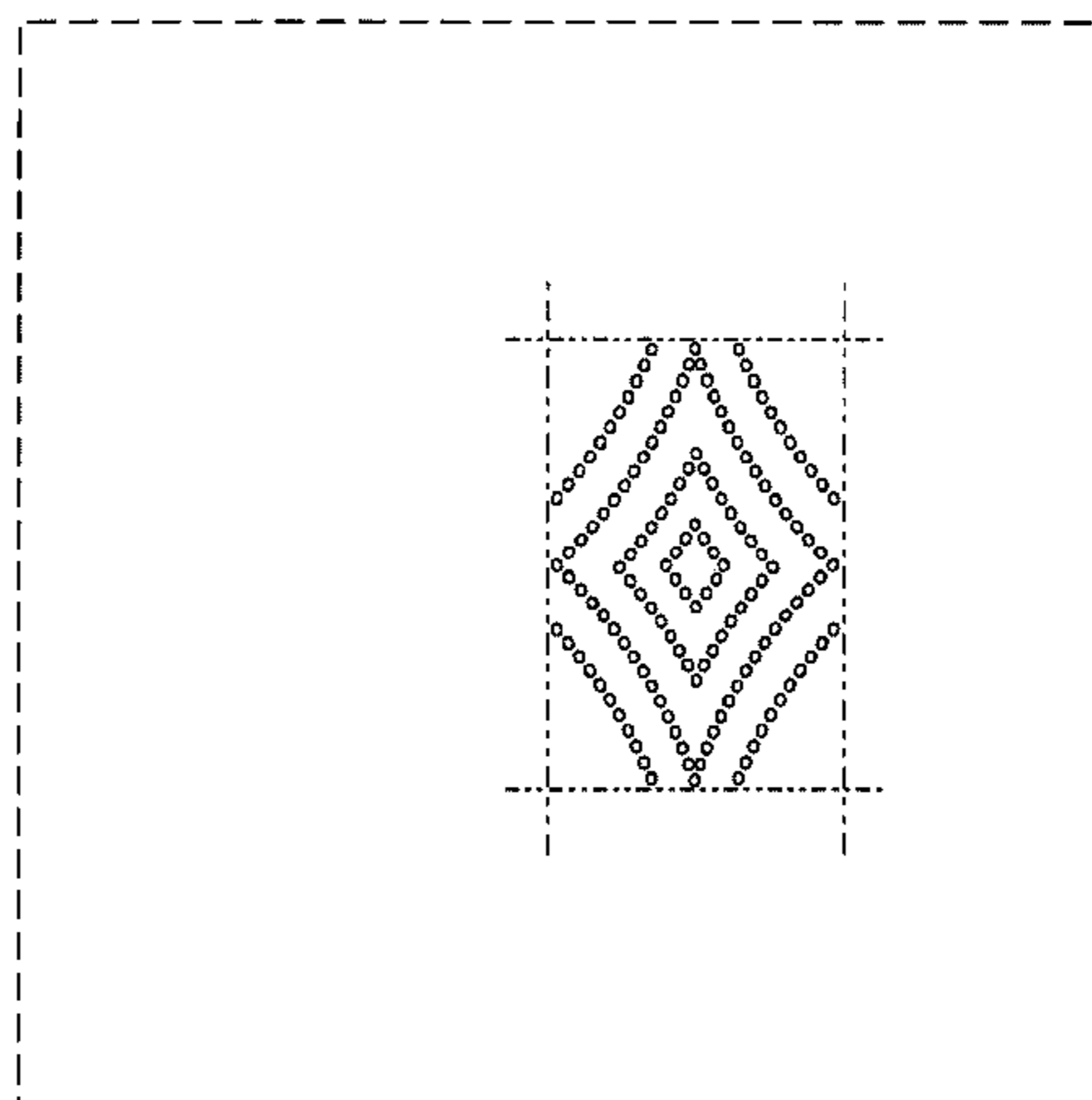
(57) **CLAIM**

The ornamental design for a surface pattern of a paper product, as shown and described.

**DESCRIPTION**

The sole FIGURE is a top plan view of a surface pattern of a paper product showing our new ornamental design, it being understood that the inner perimeter of broken lines defines the repeat unit of the surface pattern, which repeats uniformly and indefinitely throughout the entire surface of the paper product. The outer perimeter of broken lines indicates that the paper product is of indeterminate length and width. The broken line showings are for illustrative purposes only and form no part of the claimed design. The surfaces or portions not shown in the drawing or described in the specification form no part of the claimed design.

**1 Claim, 1 Drawing Sheet**



# US D523,644 S

Page 2

## U.S. PATENT DOCUMENTS

D419,780 S	2/2000	Funk et al.	D441,540 S	5/2001	Enderby et al.	
D422,150 S	4/2000	Enderby	D441,541 S	5/2001	Greenfield et al.	
D423,232 S	4/2000	Reid	D442,786 S	5/2001	Enderby et al.	
D425,354 S	5/2000	Rogers et al.	6,235,373 B1 *	5/2001	Graff .....	428/154
D426,709 S	6/2000	Latchoo et al.	D443,146 S	6/2001	Enderby et al.	
D426,959 S	6/2000	Jahner et al.	6,261,666 B1 *	7/2001	Enderby et al. ....	428/154
D426,960 S	6/2000	Jahner et al.	D447,875 S	9/2001	Graff et al.	
D427,472 S	7/2000	Rogers et al.	D448,574 S	10/2001	Graff et al.	
D428,264 S	7/2000	Boyce	D448,575 S	10/2001	Graff et al.	
D428,265 S	7/2000	Jahner et al.	D449,452 S	10/2001	Graff et al.	
D428,267 S	7/2000	Romano, III et al.	D449,453 S	10/2001	Duritsch et al.	
D428,708 S	8/2000	Jahner et al.	D450,934 S	11/2001	Duritsch et al.	
D428,709 S	8/2000	Jahner et al.	D451,682 S	12/2001	Jahner et al.	
D429,893 S	8/2000	Jahner et al.	D453,421 S	2/2002	Greenfield et al.	
D430,406 S	9/2000	Ingalls	D461,317 S	8/2002	Jahner et al.	
D430,407 S	9/2000	Ingalls	D463,137 S	9/2002	Monroe et al.	
D431,371 S	10/2000	Ingalls et al.	D465,093 S	11/2002	Jahner et al.	
D431,372 S	10/2000	Ingalls et al.	D465,338 S	11/2002	Jahner et al.	
D433,239 S	11/2000	Jahner et al.	D494,766 S	8/2004	Boerschinger et al.	
D436,740 S	1/2001	Jahner et al.	D496,797 S	10/2004	Boerschinger et al.	
D438,017 S	2/2001	Reid	2003/0021953 A1 *	1/2003	Graff .....	428/156
D438,711 S	3/2001	Graff et al.	2005/0034828 A1 *	2/2005	Graff et al. ....	156/209
D440,773 S	4/2001	Rogers et al.	2005/0095400 A1	5/2005	Prodoehl	
D441,167 S	4/2001	Graff et al.				

\* cited by examiner

