



US00D523642S

(12) **United States Design Patent**  
**Hollinger**

(10) **Patent No.:** **US D523,642 S**  
(45) **Date of Patent:** **\*\* Jun. 27, 2006**

(54) **FOAMING BACK BRUSH**

6,415,470 B1 7/2002 Ramrattan  
6,546,588 B1 4/2003 Black  
D484,314 S \* 12/2003 DiGioia ..... D4/115

(75) Inventor: **Fred Hollinger**, Monroe Township, NJ  
(US)

(73) Assignee: **E & B Giftware LLC**, Yonkers, NY  
(US)

(\*\*) Term: **14 Years**

(21) Appl. No.: **29/240,520**

(22) Filed: **Oct. 14, 2005**

(51) **LOC (8) Cl.** ..... **04-01**

(52) **U.S. Cl.** ..... **D4/114; D4/134**

(58) **Field of Classification Search** ..... D4/114,  
D4/115, 127, 134, 138; D28/7, 63; 15/143.1,  
15/145, 159.1, 160, 176.1, 176.6, 186, 187,  
15/191.1, 192, 193; 401/6, 188 R, 190, 268,  
401/270-273, 276, 278, 279, 282, 284, 290,  
401/291

See application file for complete search history.

(56) **References Cited**

**U.S. PATENT DOCUMENTS**

D214,387 S \* 6/1969 Holt, Jr. .... D4/114 X  
4,508,108 A \* 4/1985 Miyaoka ..... 15/145 X  
D284,607 S \* 7/1986 Muller ..... D28/63  
5,960,509 A 10/1999 Wu  
D447,635 S \* 9/2001 Smith ..... D4/114

**OTHER PUBLICATIONS**

GB 2043687 Industrial Design Registration (Kolvin Industries Limited), Mar. 21, 1995, [online], [retrieved on Jan. 19, 2006] Retrieved from the Design Database of the UK Patent Office using the internet <URL: <http://www.patent.gov.uk>>.\*

\* cited by examiner

*Primary Examiner*—Alan P. Douglas

*Assistant Examiner*—Lavone D. Tabor

(74) *Attorney, Agent, or Firm*—Gerard F. Dunne

(57) **CLAIM**

I claim the ornamental design for a foaming back brush, as shown and described.

**DESCRIPTION**

FIG. 1 is a perspective view of an ornamental design for a foaming back brush;

FIG. 2 is a front view thereof;

FIG. 3 is a right side view thereof, the left side being a mirror image;

FIG. 4 is a rear view thereof;

FIG. 5 is a bottom plan view of FIG. 2; and,

FIG. 6 is a top plan view of FIG. 2.

**1 Claim, 4 Drawing Sheets**

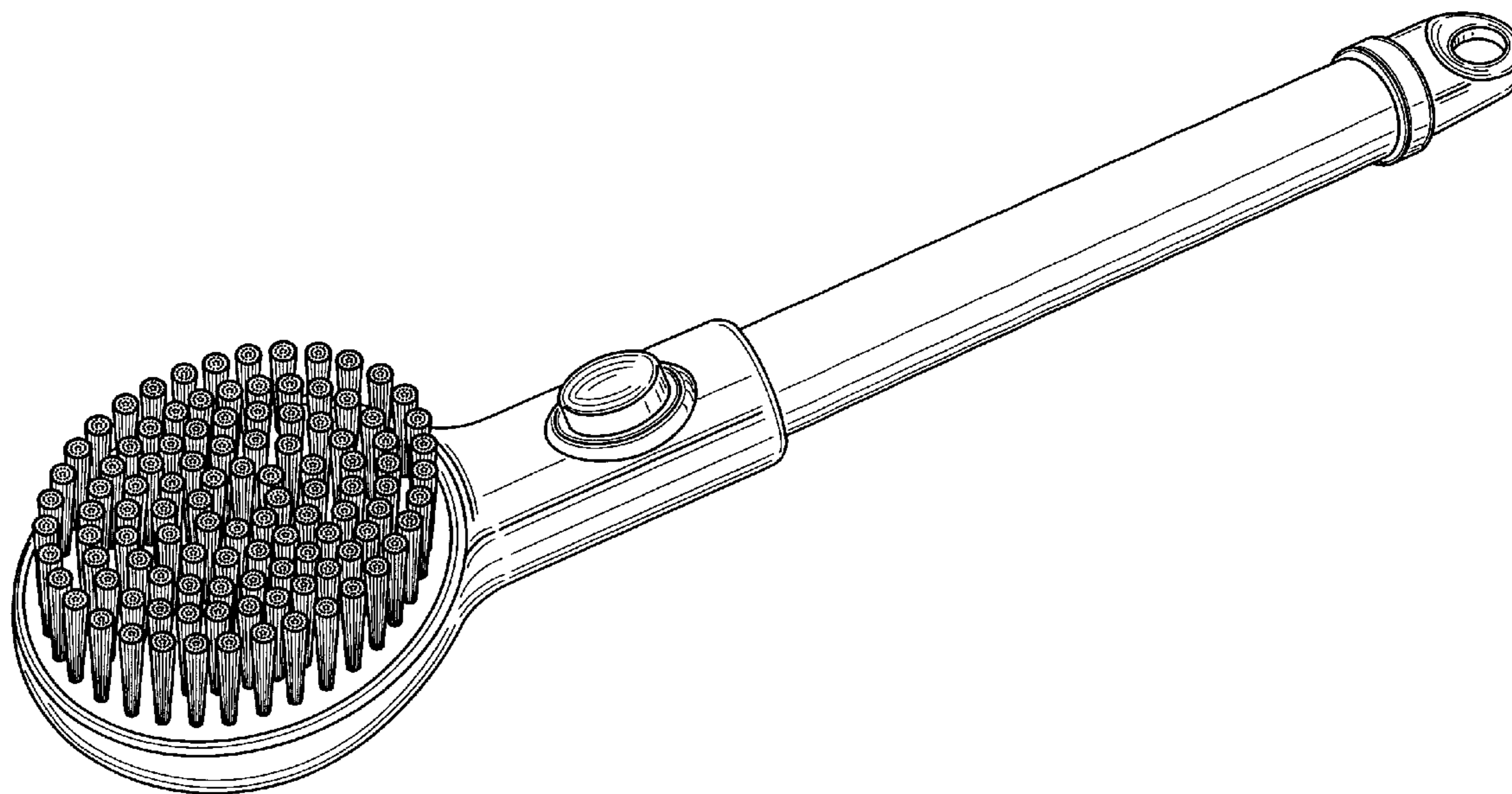


FIG. 1

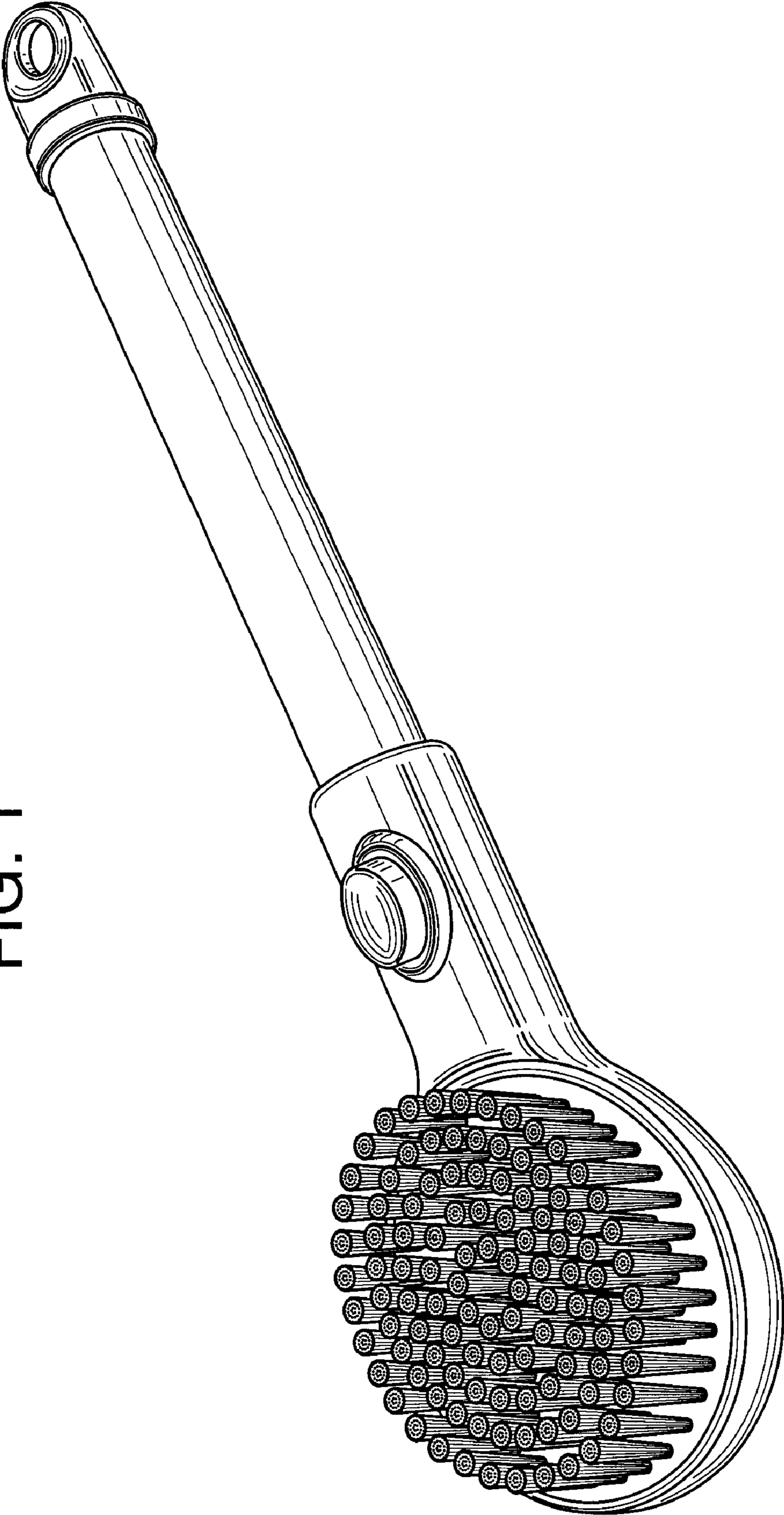


FIG. 2

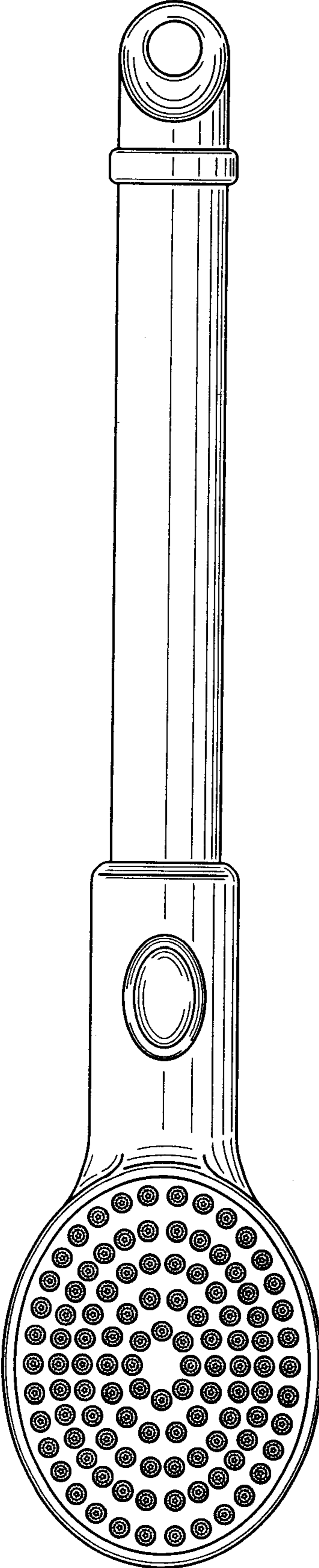


FIG. 3

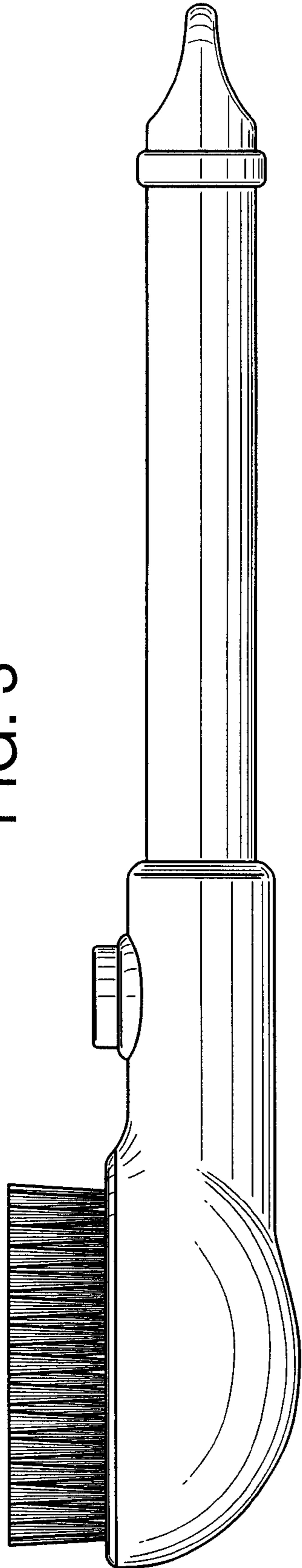


FIG. 4

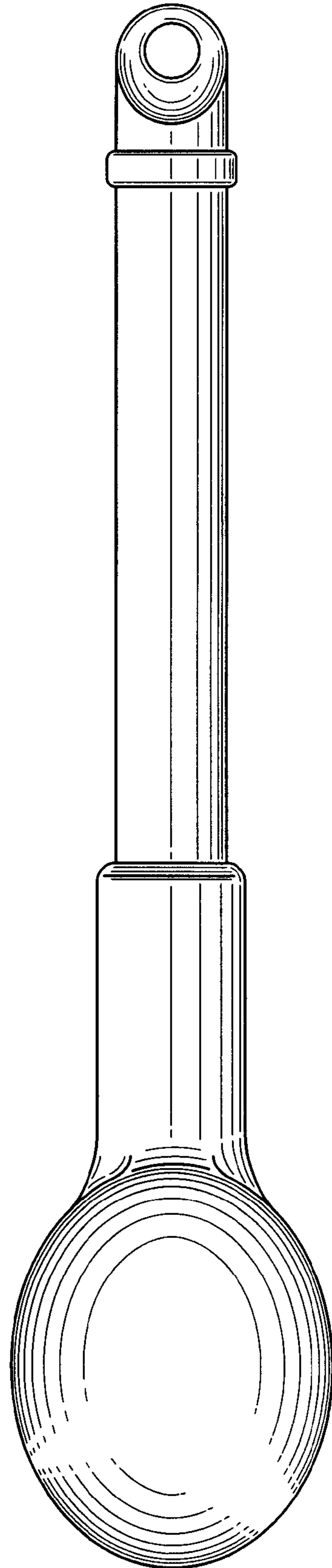


FIG. 5

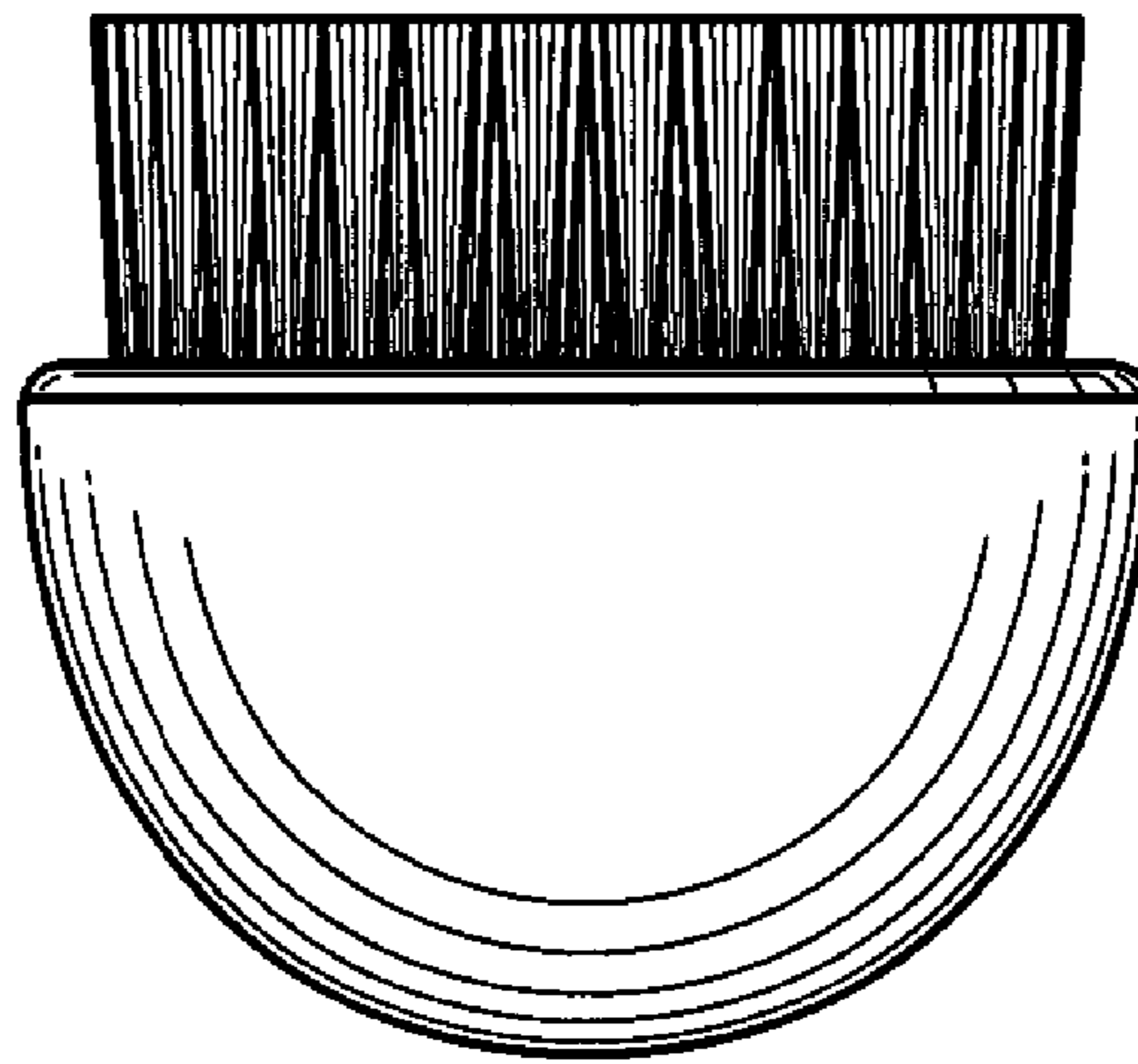


FIG. 6

