



US00D523638S

(12) **United States Design Patent**
Yonkman et al.

(10) **Patent No.:** **US D523,638 S**
(45) **Date of Patent:** **** Jun. 27, 2006**

(54) **SINGLE SPOKE CONSUMER PRODUCTS WHEEL**

(75) Inventors: **Chad Yonkman**, Appleton, WI (US);
Doug Golenz, Boulder, CO (US)

(73) Assignee: **JanSport Apparel Corp.**, Wilmington, DE (US)

(**) **Term:** **14 Years**

(21) Appl. No.: **29/194,219**

(22) Filed: **Nov. 21, 2003**

(51) **LOC (8) Cl.** **03-99**

(52) **U.S. Cl.** **D3/318**

(58) **Field of Classification Search** D3/318-328,
D3/279, 272, 273; D8/375; D12/133; 16/44-47;
190/18 A, 37, 115; 186/27; D34/12, 24, 25,
D34/27; 224/153

See application file for complete search history.

6,354,412 B1 * 3/2002 Kuo 190/18 A
D456,993 S * 5/2002 Lin D3/279
6,382,736 B1 * 5/2002 Chang 301/111.05
6,408,996 B1 * 6/2002 Lin 190/18 R
6,454,065 B1 * 9/2002 Chen 190/18 A
6,460,668 B1 * 10/2002 Godshaw et al. 190/18 A
D465,085 S * 11/2002 Chen D3/279
D485,681 S * 1/2004 Fenton et al. D3/279
6,695,107 B1 * 2/2004 Godshaw et al. 190/18 R
D487,348 S * 3/2004 Fenton et al. D3/318
D492,486 S * 7/2004 Mullins D3/279
6,880,685 B1 * 4/2005 Fenton et al. 190/124
6,892,434 B1 * 5/2005 Fenton et al. 29/469
2003/0066162 A1 * 4/2003 Kuo 16/44

* cited by examiner

Primary Examiner—Sandra S. Snapp

(74) *Attorney, Agent, or Firm*—Kenyon & Kenyon LLP

(57) **CLAIM**

The ornamental design for a single spoke consumer products wheel, as shown and described.

DESCRIPTION

FIG. 1 is a perspective view of a front of a single spoke consumer products wheel in which the sides of the spoke are parallel to each other, and showing our new design;

FIG. 2 is a front view;

FIG. 3 is a back view;

FIG. 4 is a top view;

FIG. 5 is a bottom view;

FIG. 6 is a side view; and,

FIG. 7 is an opposite side view.

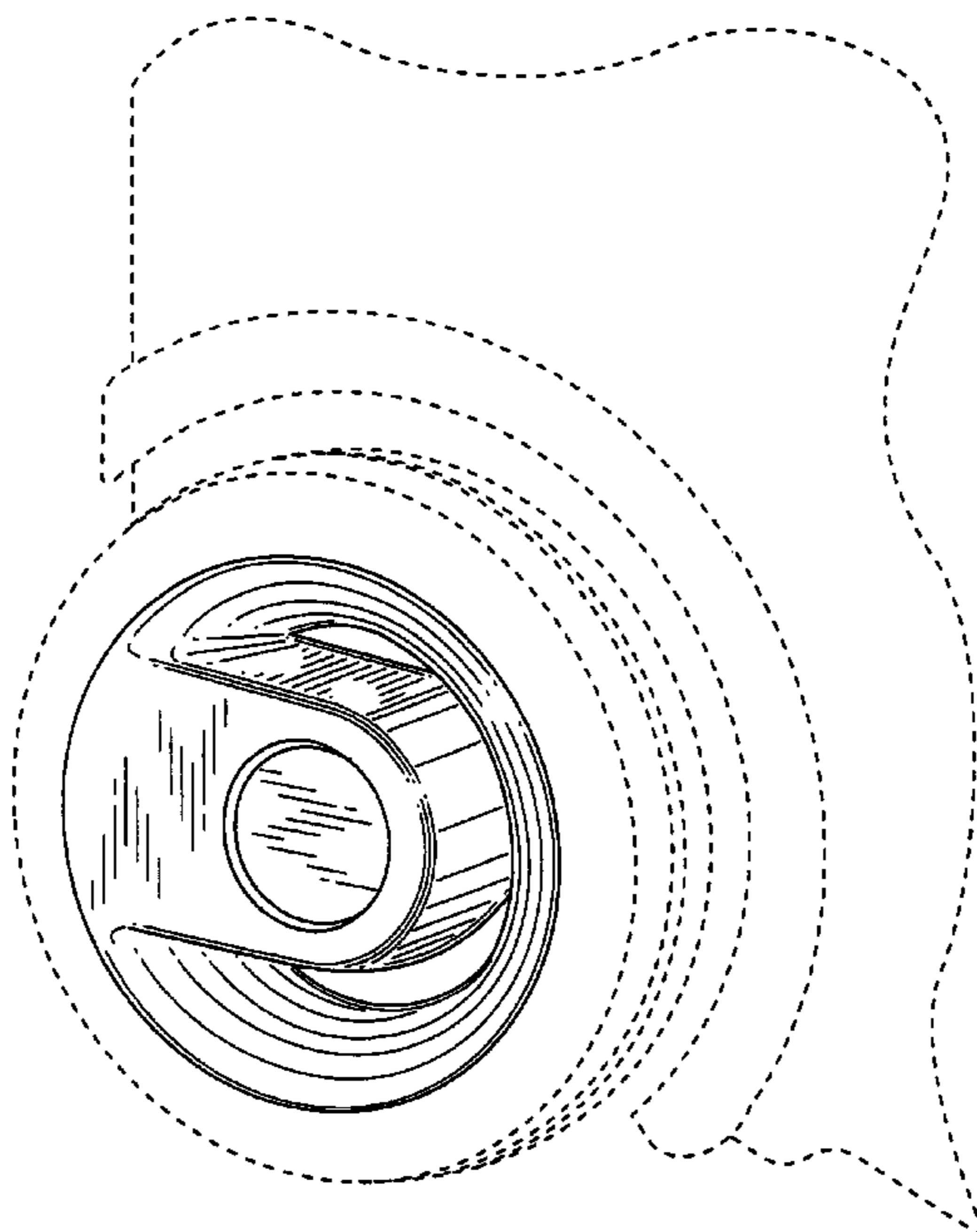
The broken lines shown in the drawings are used to illustrate environmental structure only and form no part of the claimed design.

(56) **References Cited**

U.S. PATENT DOCUMENTS

D352,395 S * 11/1994 King D3/279
D375,202 S * 11/1996 Vermillion et al. D3/318
5,634,538 A * 6/1997 Tsai 190/18 A
D385,699 S * 11/1997 Lin D3/279
D411,041 S * 6/1999 Kinzer et al. D3/318
D419,299 S * 1/2000 Bauer D3/279
D425,705 S * 5/2000 Santy et al. D3/318
D431,906 S * 10/2000 Livingston D3/279
D438,011 S * 2/2001 Shick D3/318
6,193,324 B1 * 2/2001 Chang 301/111.05
D439,410 S * 3/2001 Chang D3/318
D444,946 S * 7/2001 Klamm D3/279
D449,162 S * 10/2001 Sijmons et al. D3/279
6,322,156 B1 * 11/2001 Kuo 301/111.01

1 Claim, 4 Drawing Sheets



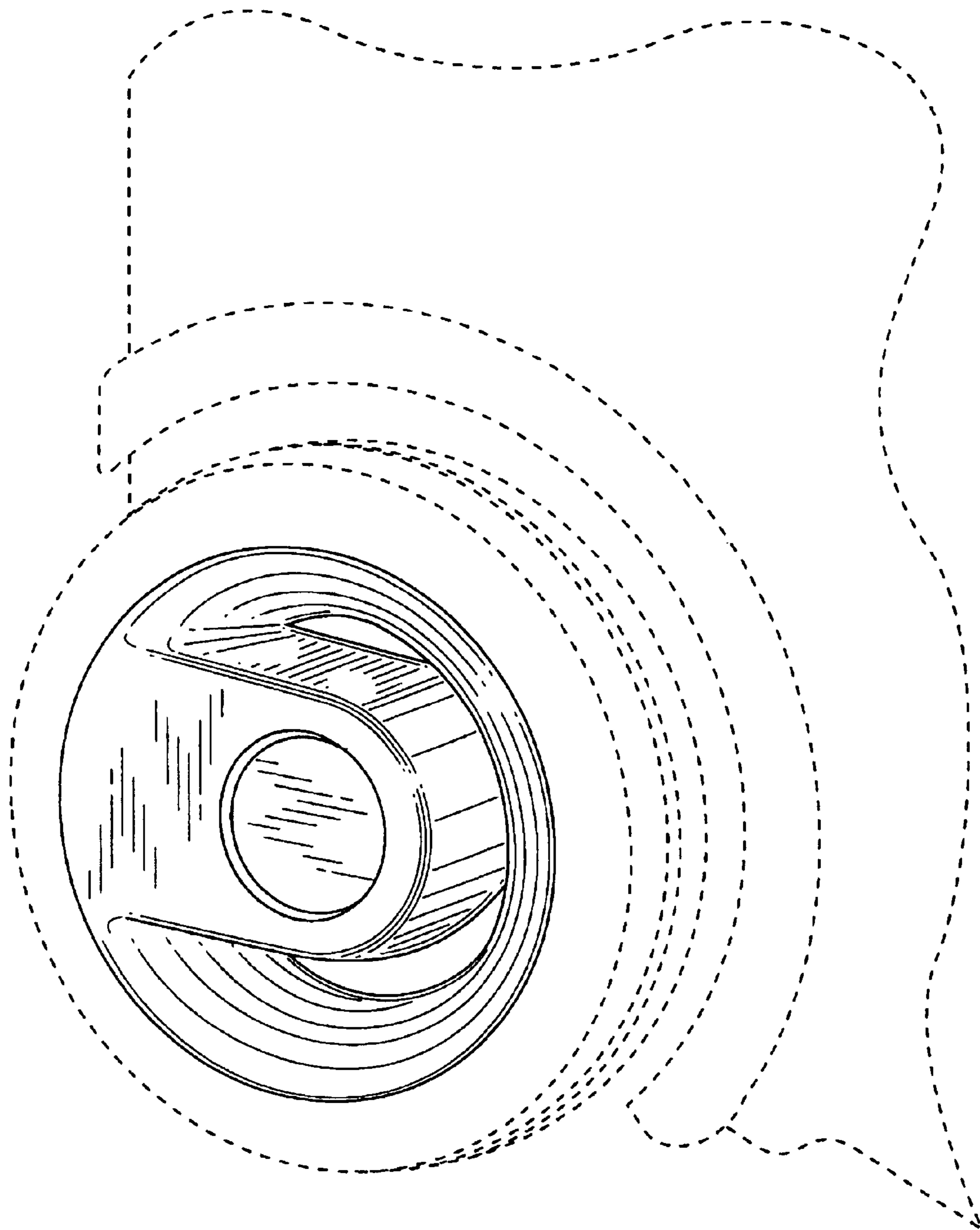


FIG. 1

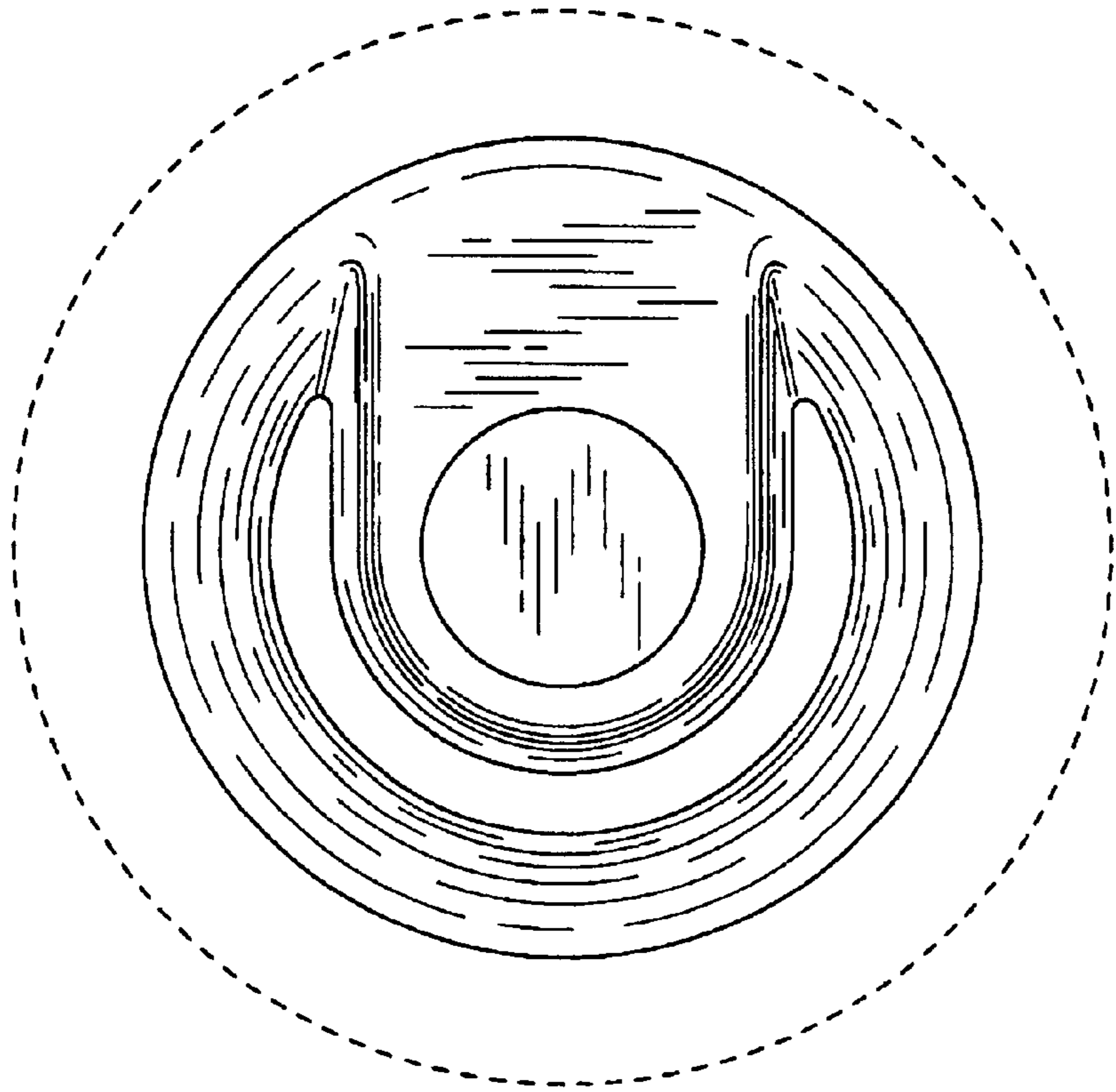


FIG. 3

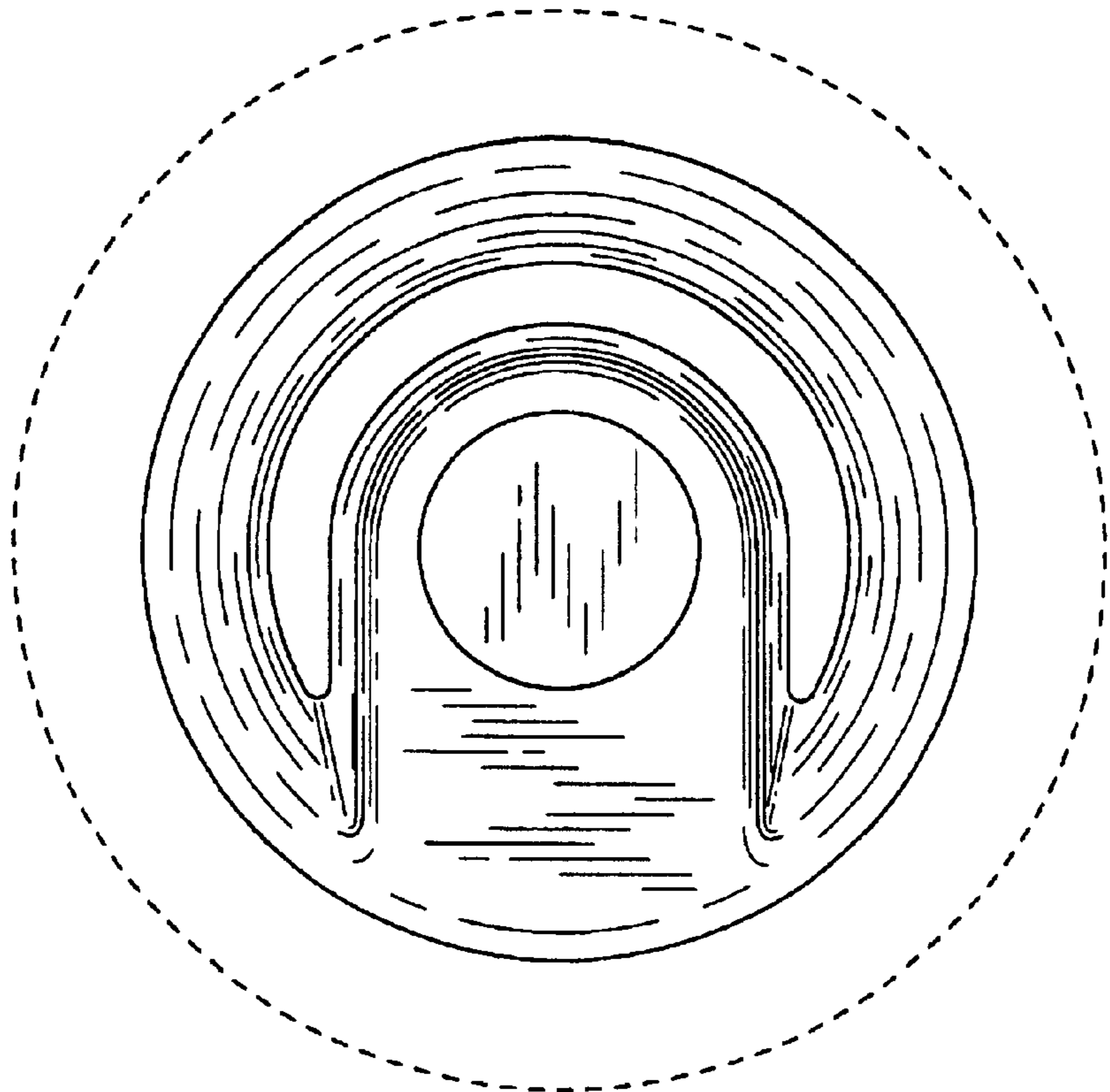


FIG. 2

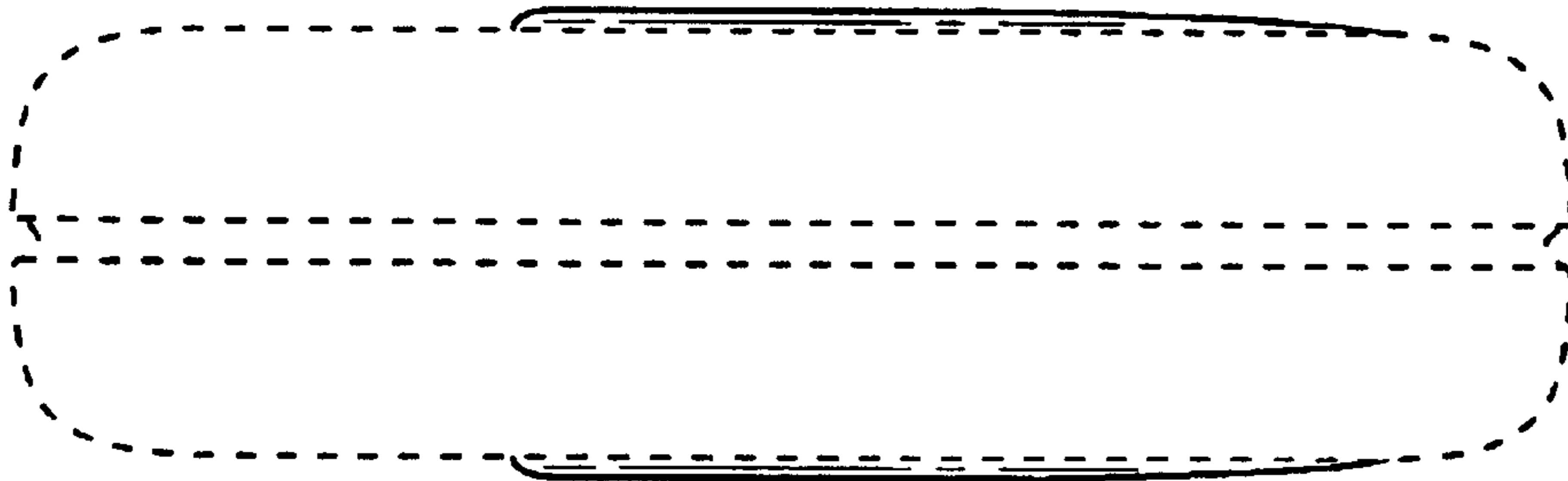


FIG. 5

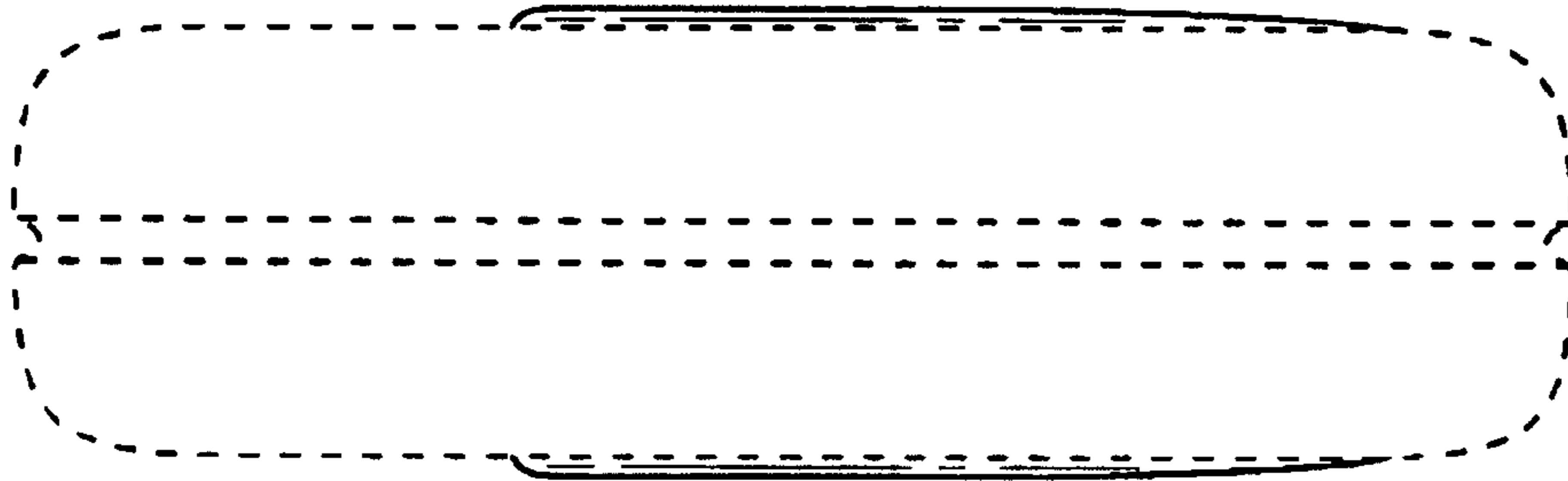


FIG. 4

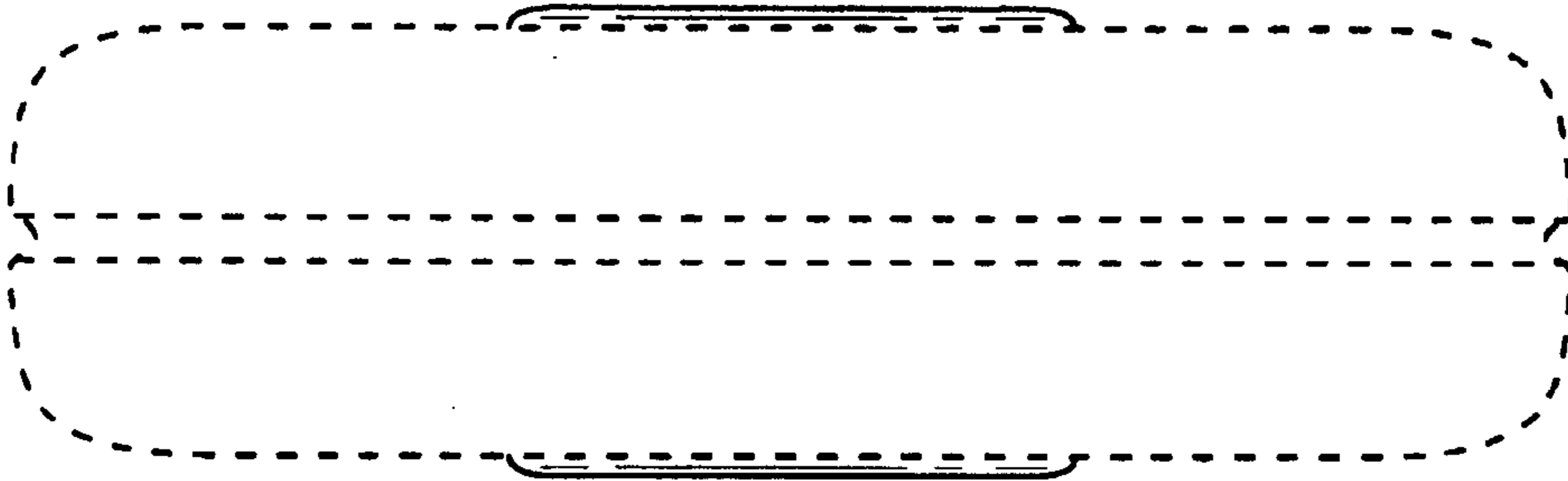


FIG. 7

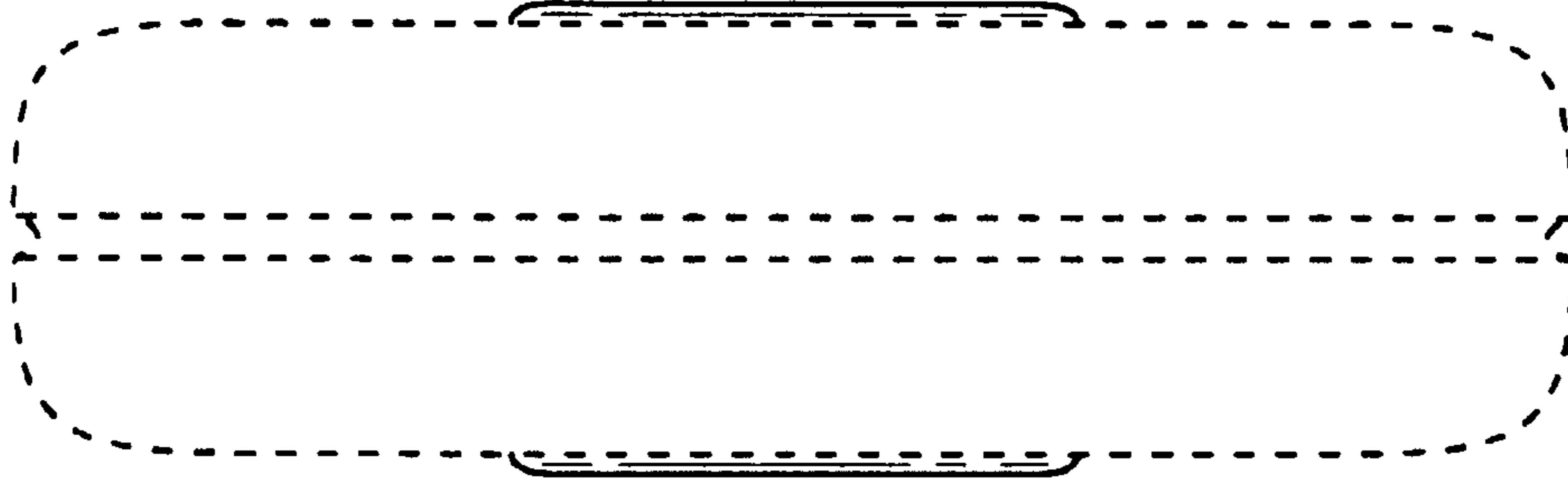


FIG. 6