



US00D523634S

(12) **United States Design Patent**  
**Dost et al.**

(10) **Patent No.:** **US D523,634 S**  
(45) **Date of Patent:** **\*\* Jun. 27, 2006**

(54) **INSERT BIT DISPENSER**

(75) Inventors: **Hagen W. Dost**, Chicago, IL (US);  
**Harry Wales**, Barrington, IL (US);  
**Melvin A. Pendergraph**, Arlington Heights, IL (US); **Douglas Collins**, Crystal Lake, IL (US); **Patrick M. McAuliffe**, Chicago, IL (US); **Margaret Butler**, Chicago, IL (US); **Paul D. Hatch**, Chicago, IL (US)

(73) Assignee: **Credo Technology Corporation**, Broadview, IL (US)

(\*\*) Term: **14 Years**

(21) Appl. No.: **29/228,853**

(22) Filed: **Apr. 30, 2005**

(51) **LOC (8) Cl.** ..... **03-01**

(52) **U.S. Cl.** ..... **D3/273**

(58) **Field of Classification Search** ..... D3/273,  
D3/291, 294, 295, 905, 212; D22/108; 206/349,  
206/372, 373, 377, 378, 379

See application file for complete search history.

(56) **References Cited**

**U.S. PATENT DOCUMENTS**

D394,952 S \* 6/1998 Wei ..... D3/273  
D419,298 S \* 1/2000 Bramsiepe et al. .... D3/273

D422,787 S \* 4/2000 Feng ..... D3/273  
6,050,409 A \* 4/2000 Delbeck et al. .... 206/375  
D431,359 S \* 10/2000 Lapidus ..... D3/273  
D446,651 S \* 8/2001 Liao ..... D3/284  
D449,442 S \* 10/2001 Snider ..... D3/294  
D449,738 S \* 10/2001 Snider et al. .... D3/282  
6,405,865 B1 \* 6/2002 Lin ..... 206/379  
D505,068 S \* 5/2005 Cunningham et al. .... D9/415

\* cited by examiner

*Primary Examiner*—Philip S. Hyder

(74) *Attorney, Agent, or Firm*—Victor A. Henzi

(57) **CLAIM**

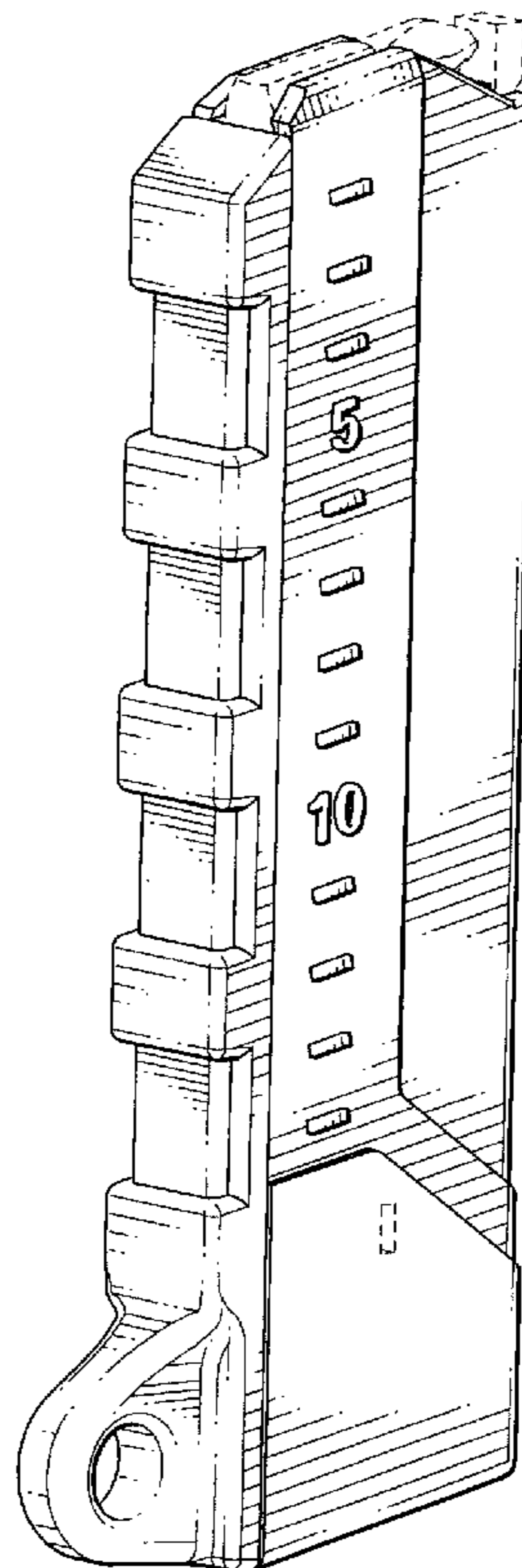
The ornamental design for a insert bit dispenser, as shown and described.

**DESCRIPTION**

FIG. 1 is a front left perspective view of the present new design for an insert bit dispenser;  
FIG. 2 is a right elevational view thereof;  
FIG. 3 is a left elevational view thereof;  
FIG. 4 is a rear elevational view thereof;  
FIG. 5 is a front elevational view thereof;  
FIG. 6 is a top plan view thereof; and,  
FIG. 7 is a bottom plan view thereof.

The broken lines showing various features of an insert bit dispenser are for illustrative purposes only and form no part of the claimed design.

**1 Claim, 5 Drawing Sheets**



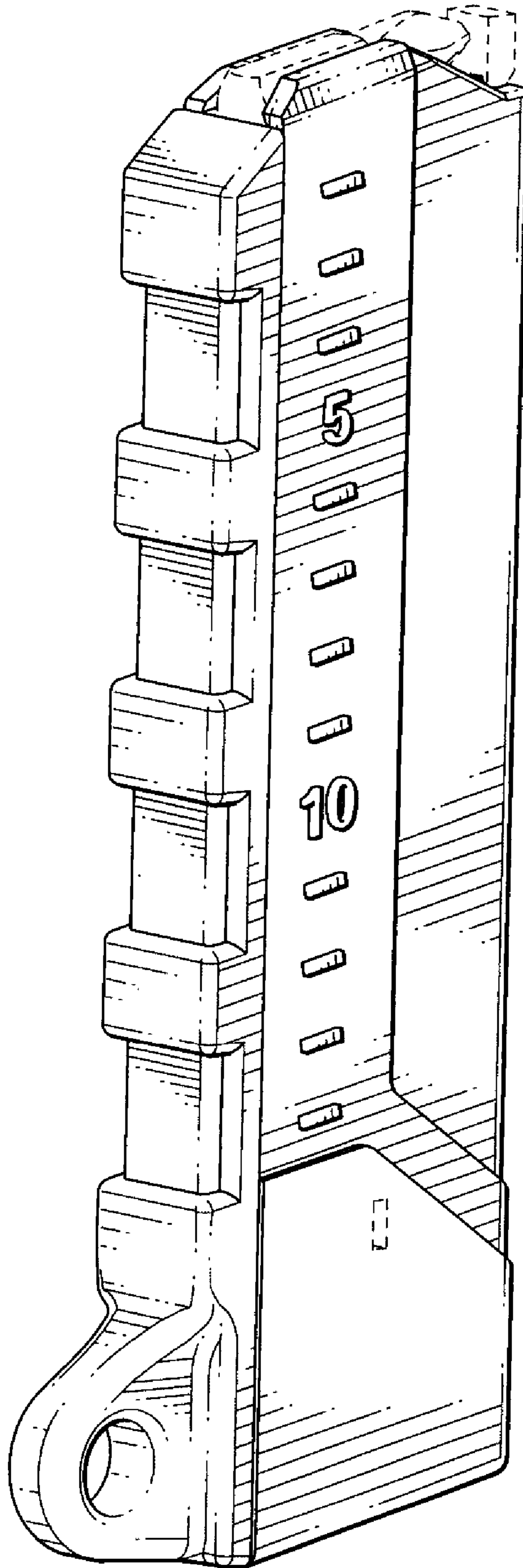


FIG. 1

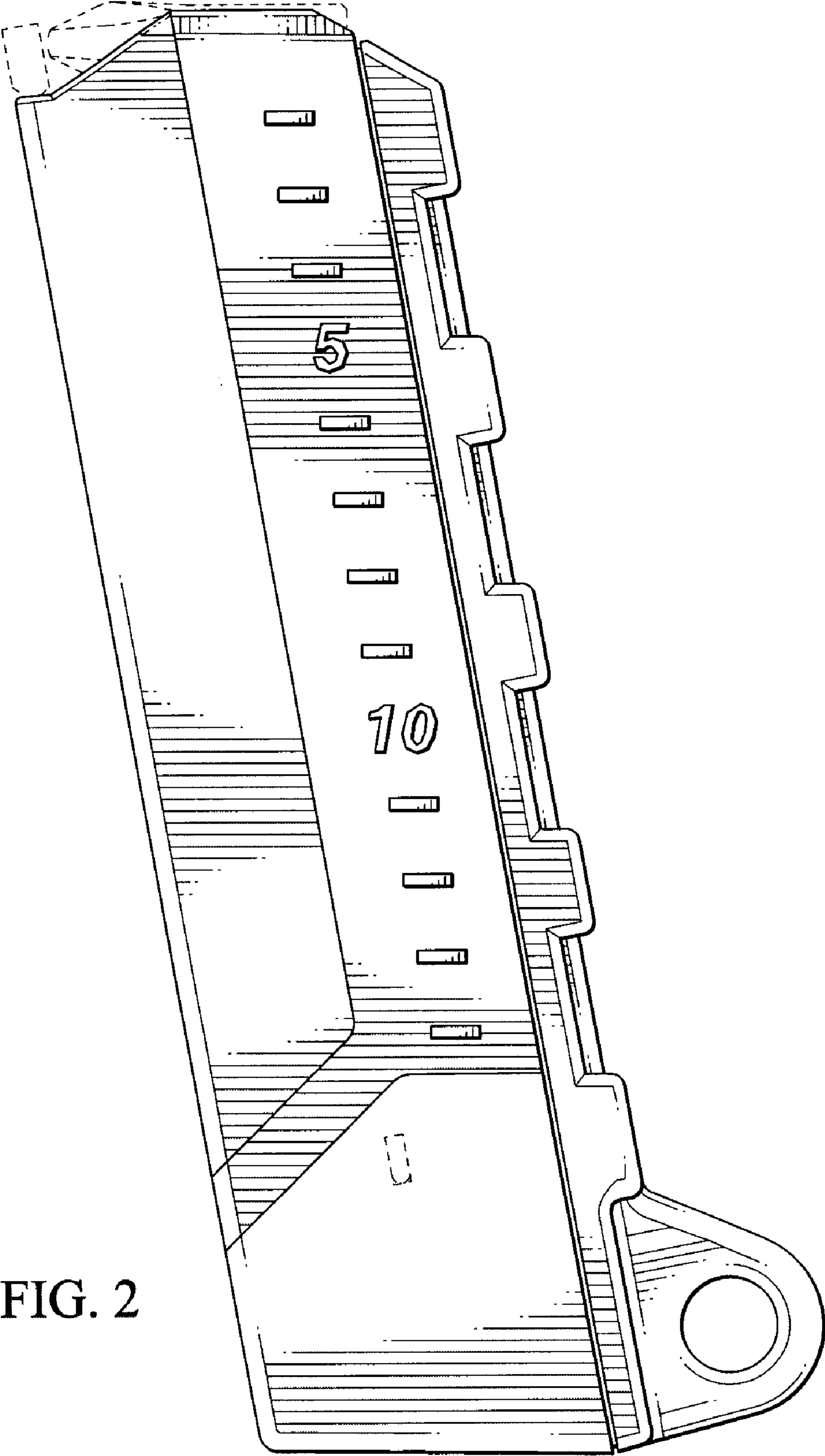


FIG. 2

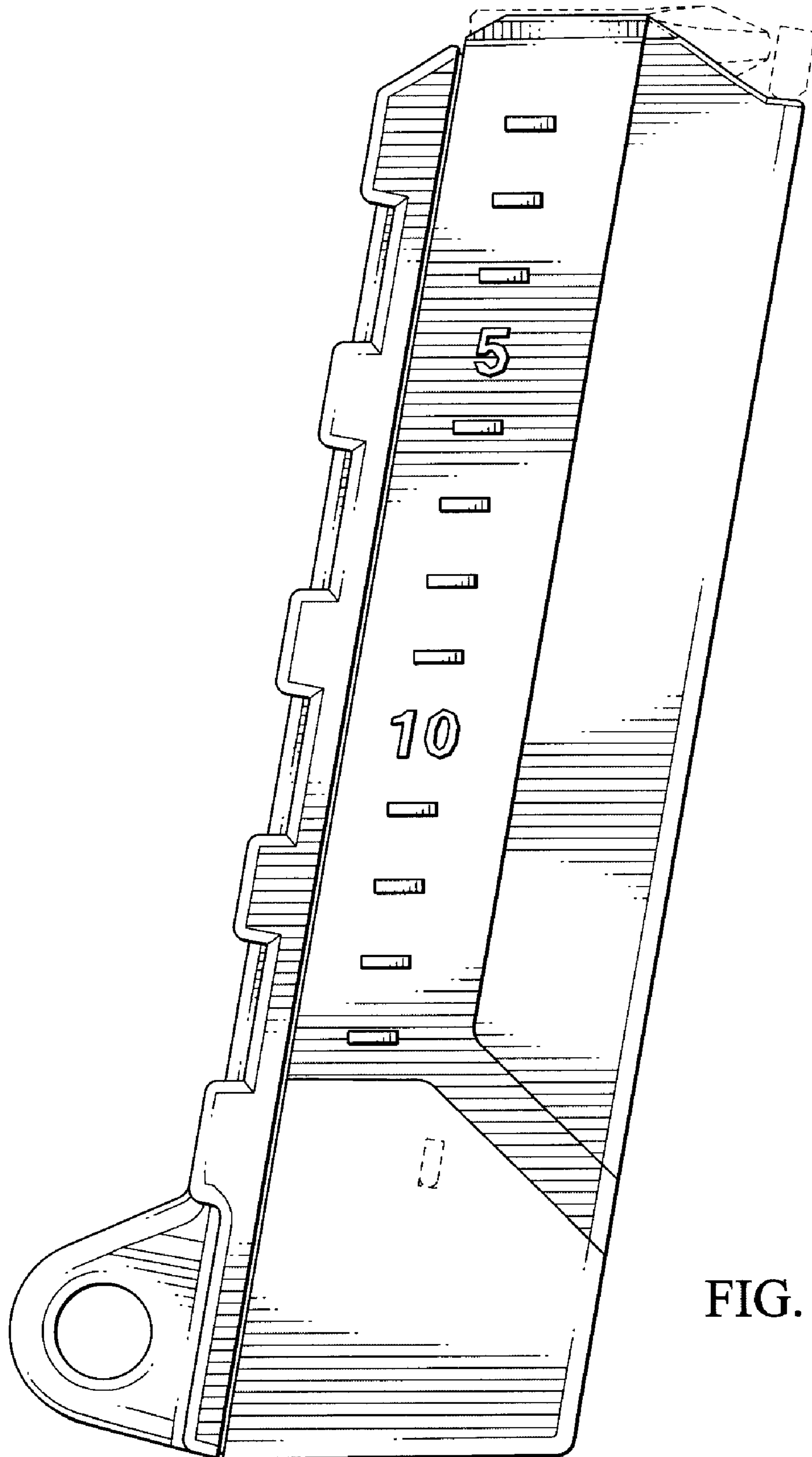


FIG. 3

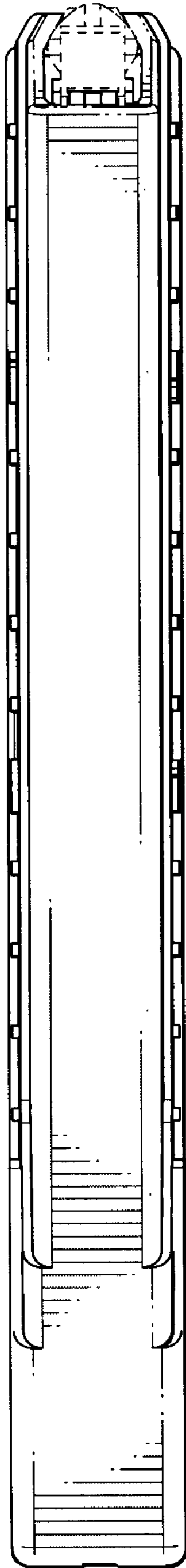


FIG. 4

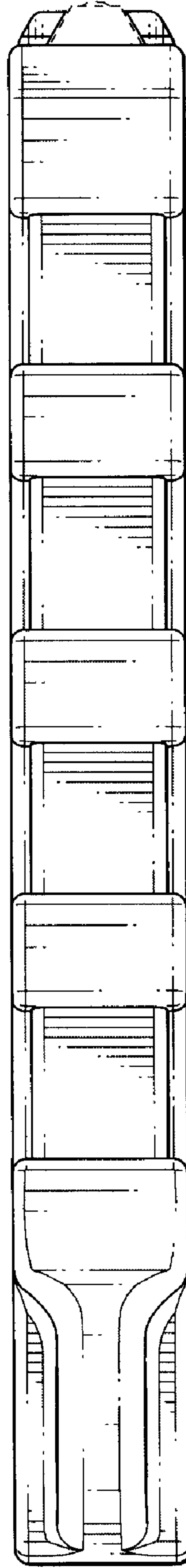


FIG. 5

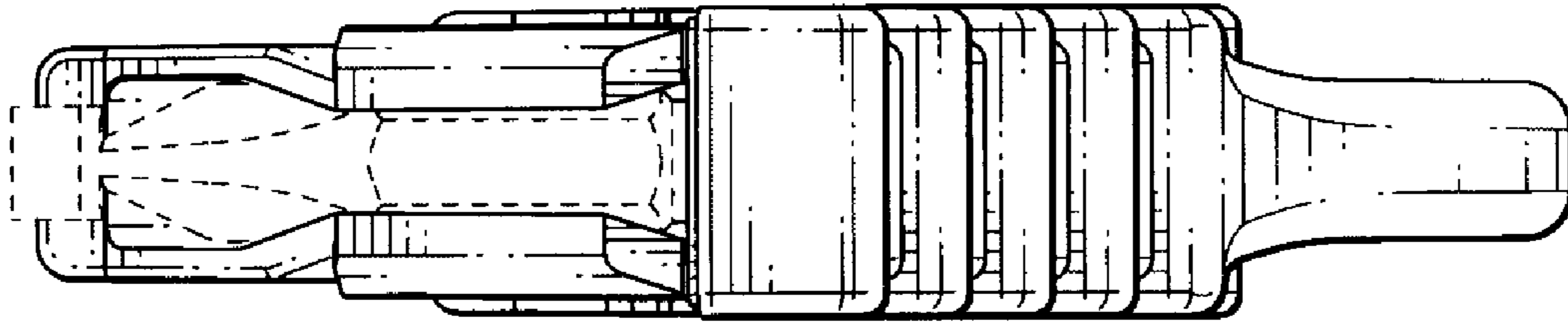


FIG. 6

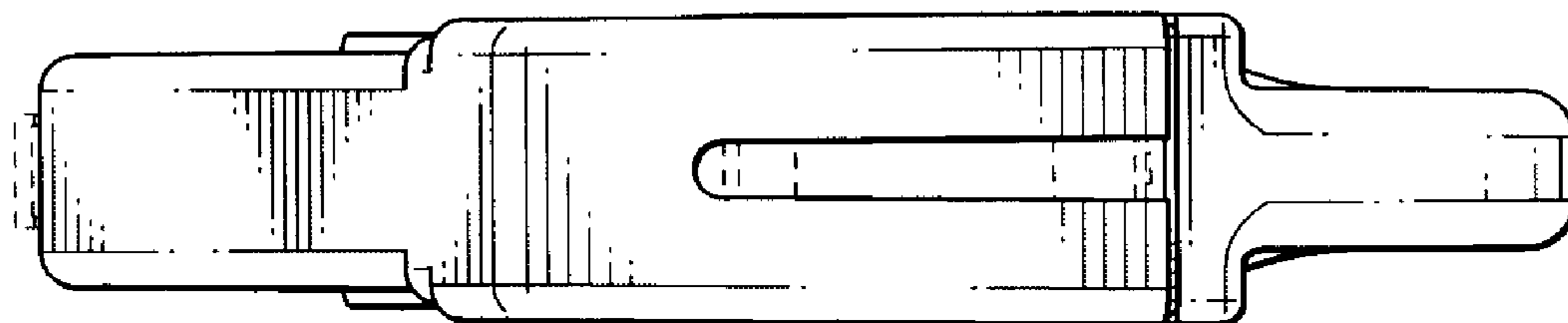


FIG. 7