



US00D523632S

(12) **United States Design Patent**
Handley

(10) **Patent No.:** **US D523,632 S**

(45) **Date of Patent:** **** Jun. 27, 2006**

(54) **DIAPER BAG**

(76) Inventor: **Susan V. Handley**, 2875 Kapaka Rd.,
Princeville, HI (US) 96722

(**) Term: **14 Years**

(21) Appl. No.: **29/242,014**

(22) Filed: **Nov. 4, 2005**

(51) **LOC (8) Cl.** **03-01**

(52) **U.S. Cl.** **D3/246**

(58) **Field of Classification Search** D3/201,
D3/205, 206, 230, 232, 233, 234, 237, 238,
D3/239, 240, 241, 243, 245, 246, 247, 248,
D3/249, 254, 262, 276, 283, 287, 289, 296,
D3/303, 318, 326, 327, 900, 901, 902, 903,
D3/904; 150/100, 101, 104, 105, 107, 108,
150/110, 114, 118, 119, 120, 121, 122, 123,
150/124; 190/1, 24, 903; 383/907; 224/578,
224/579; 24/265 H

See application file for complete search history.

(56) **References Cited**

U.S. PATENT DOCUMENTS

D72,392 S * 4/1927 Walinsky D3/900
3,489,194 A 1/1970 Hoover
D228,099 S * 8/1973 Marshall D3/900
D274,387 S * 6/1984 Davis et al. D3/283
4,566,130 A * 1/1986 Coates 190/1
D326,772 S 6/1992 Kennedy
D390,700 S 2/1998 Miller et al.
D404,913 S 2/1999 Campbell

D417,076 S * 11/1999 Buban et al. D3/276
6,003,573 A 12/1999 Owens
D426,060 S 6/2000 Chapelier
D447,627 S 9/2001 Haapala
D460,628 S 7/2002 Glebe
D468,096 S * 1/2003 Staples D3/233
D487,632 S 3/2004 Galliano
D498,589 S 11/2004 Galliano
D501,598 S 2/2005 Guyon

* cited by examiner

Primary Examiner—Louis S. Zarfes

Assistant Examiner—Monica A. Weingart

(74) *Attorney, Agent, or Firm*—Cowan Liebowitz &
Latman PC; Mark Montague

(57) **CLAIM**

The ornamental design for a diaper bag, as shown and described.

DESCRIPTION

FIG. 1 is front perspective view of a diaper bag showing my new design;

FIG. 2 is a front elevational view thereof;

FIG. 3 is a back elevational view thereof;

FIG. 4 is a top plan view thereof;

FIG. 5 is a bottom plan view thereof;

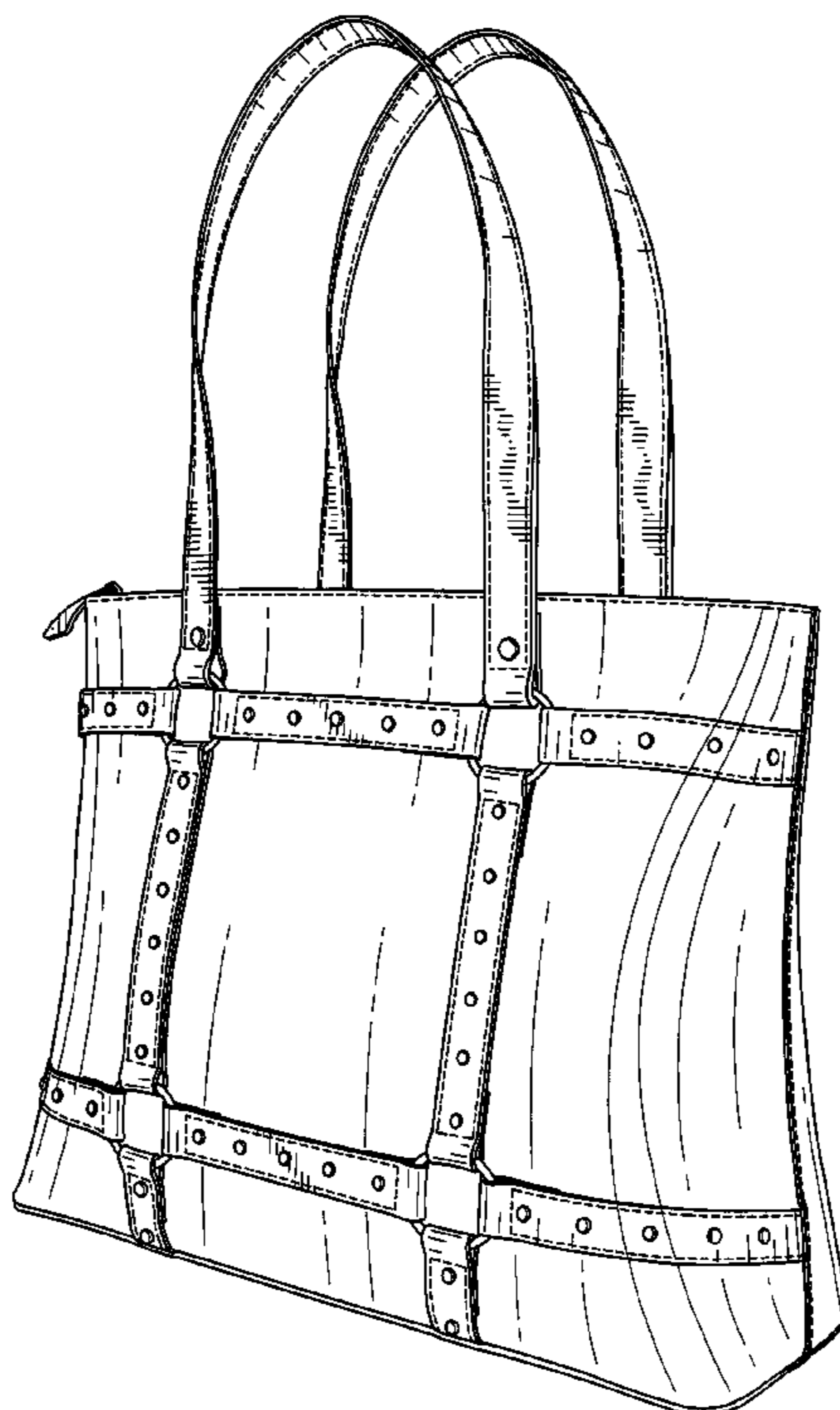
FIG. 6 is a left side elevational view thereof;

FIG. 7 is a right side elevational view thereof;

FIG. 8 is a perspective view in an open position; and,

FIG. 9 is a left side elevation view thereof.

1 Claim, 7 Drawing Sheets



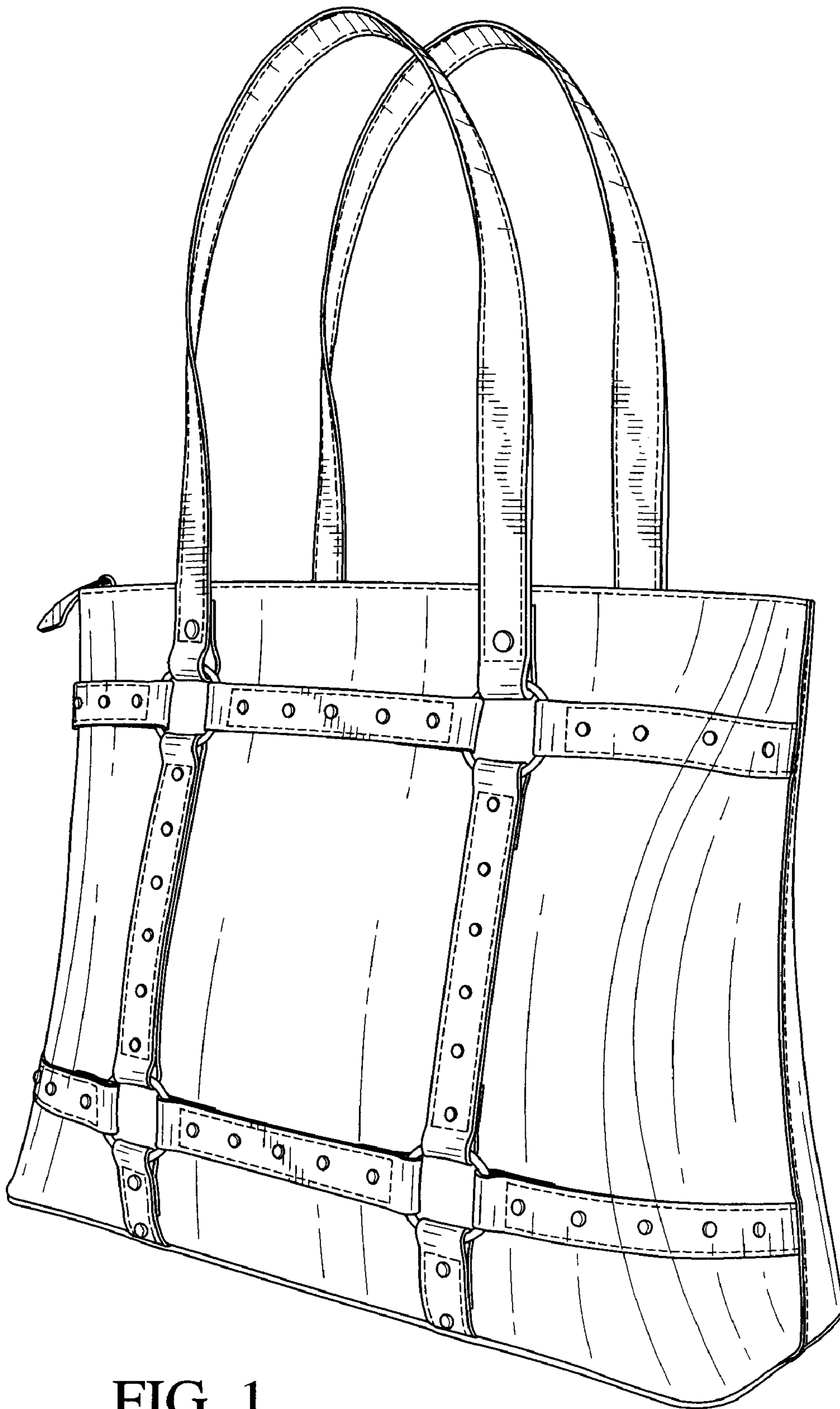


FIG. 1

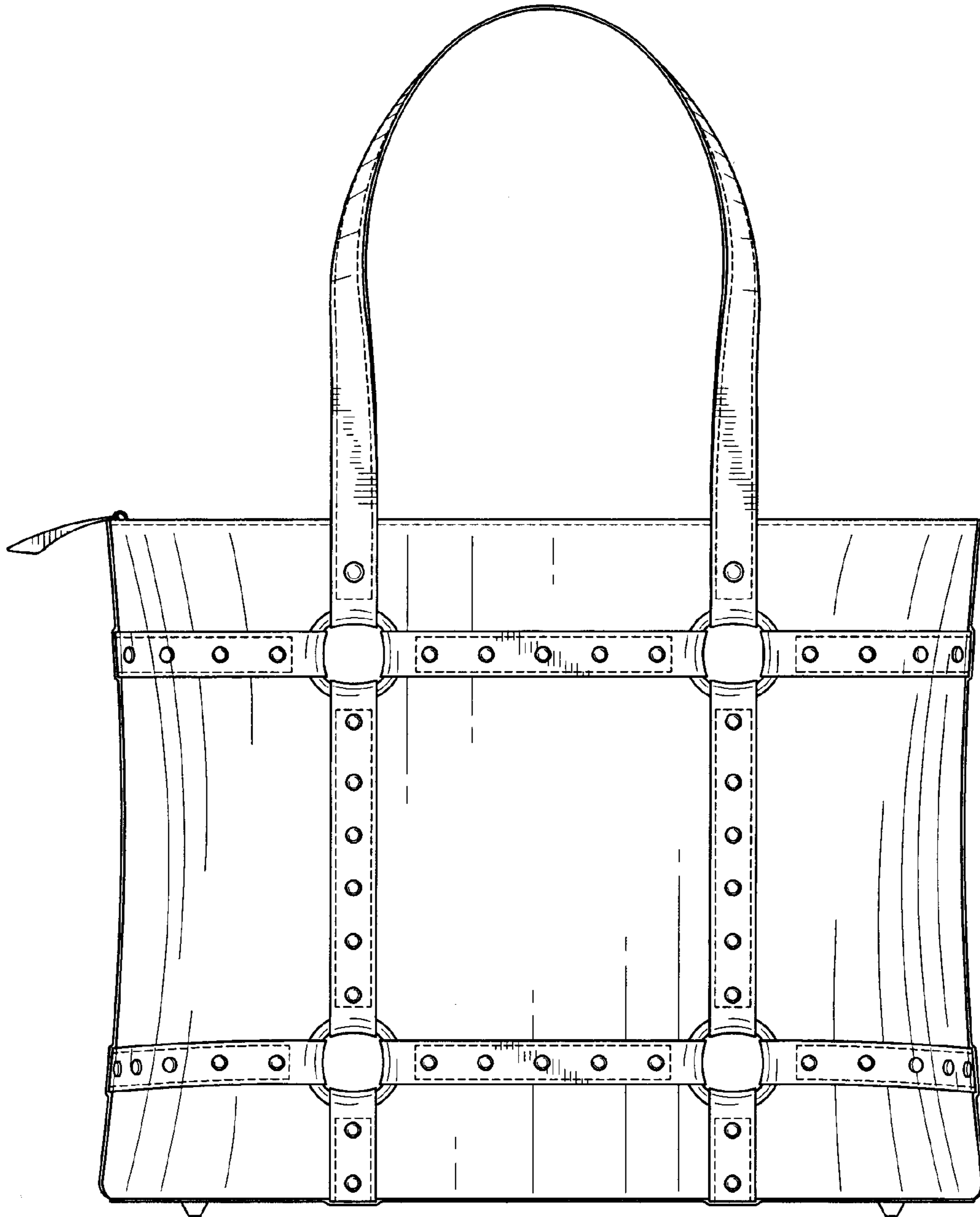


FIG. 2



FIG. 3

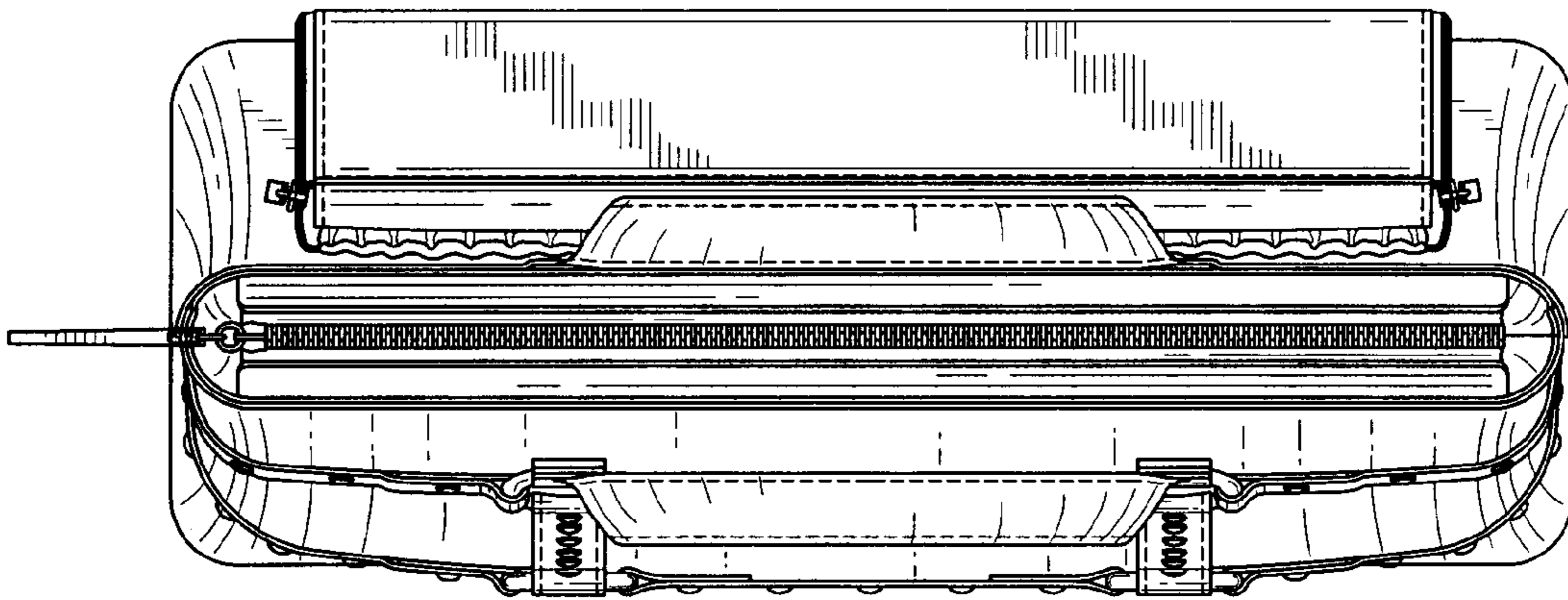


FIG. 4

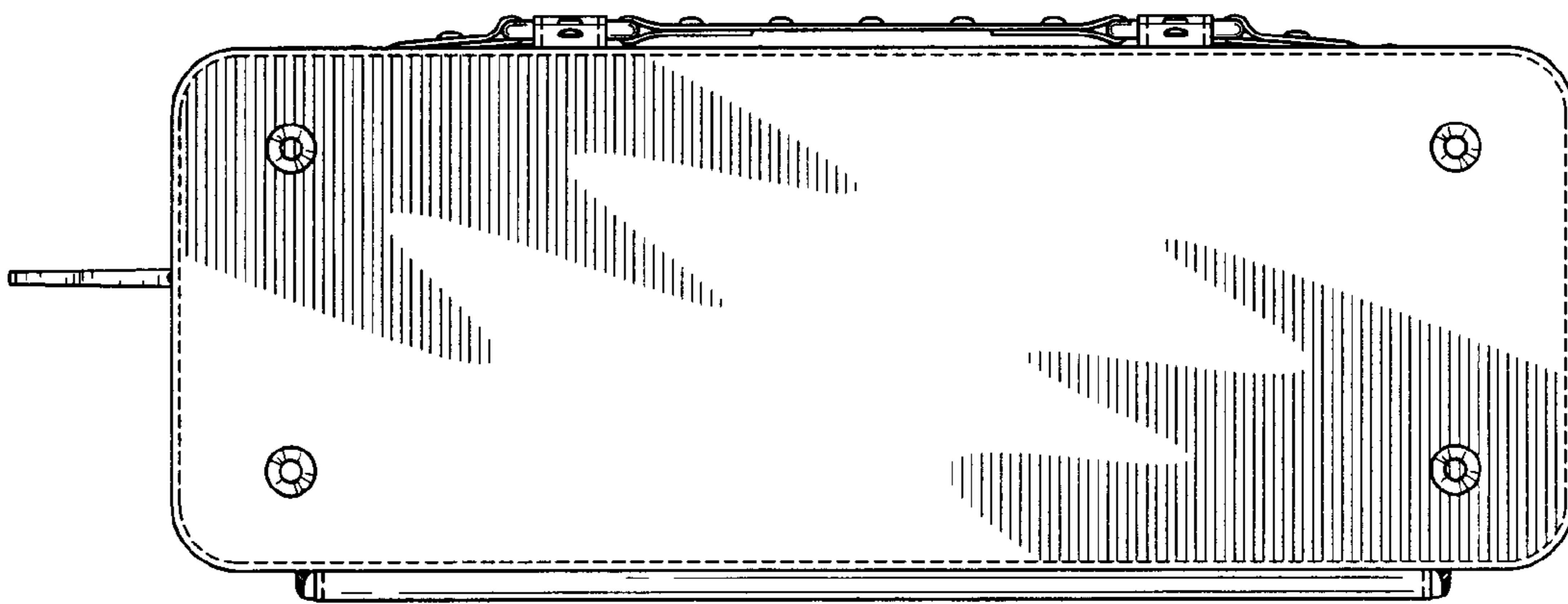


FIG. 5

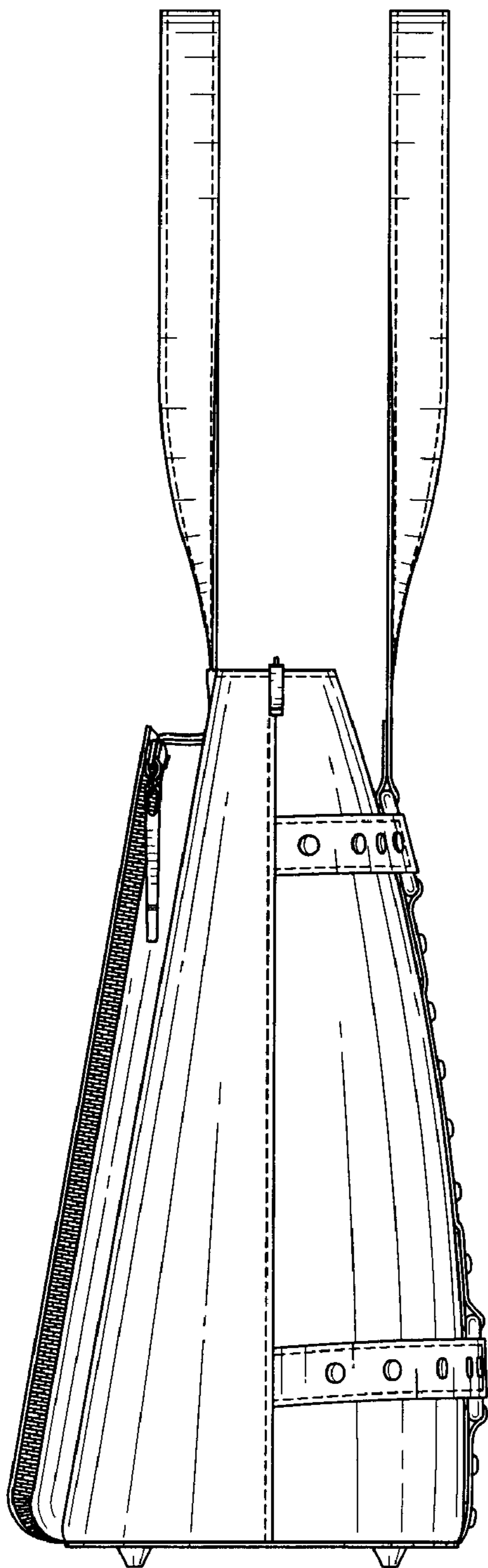


FIG. 6

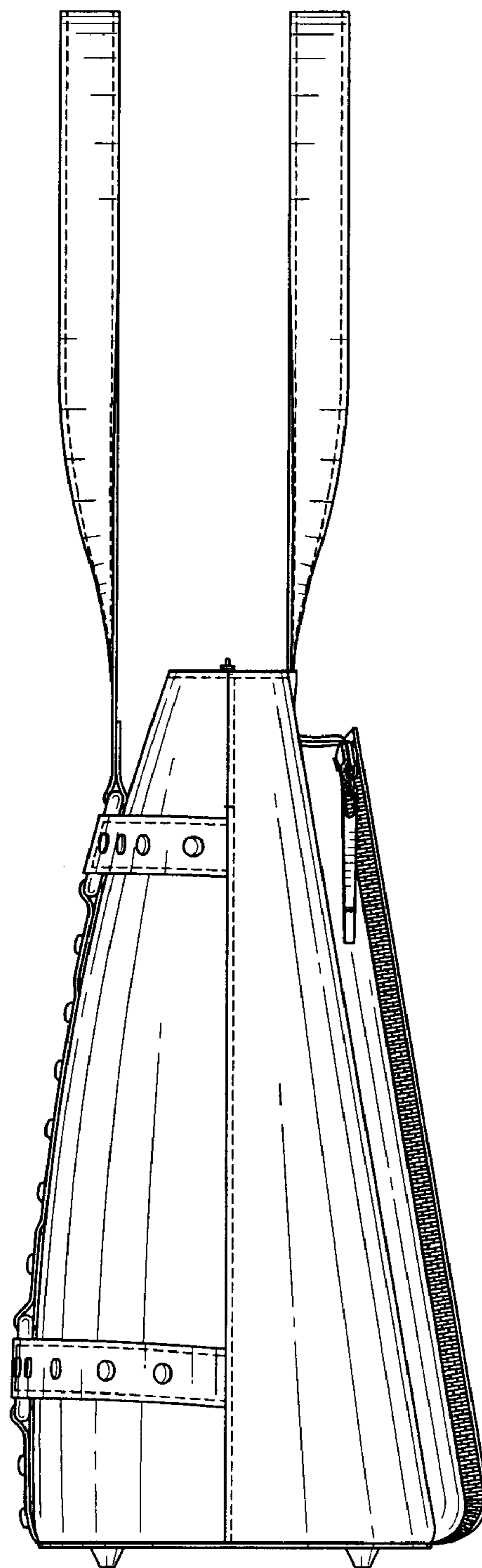


FIG. 7

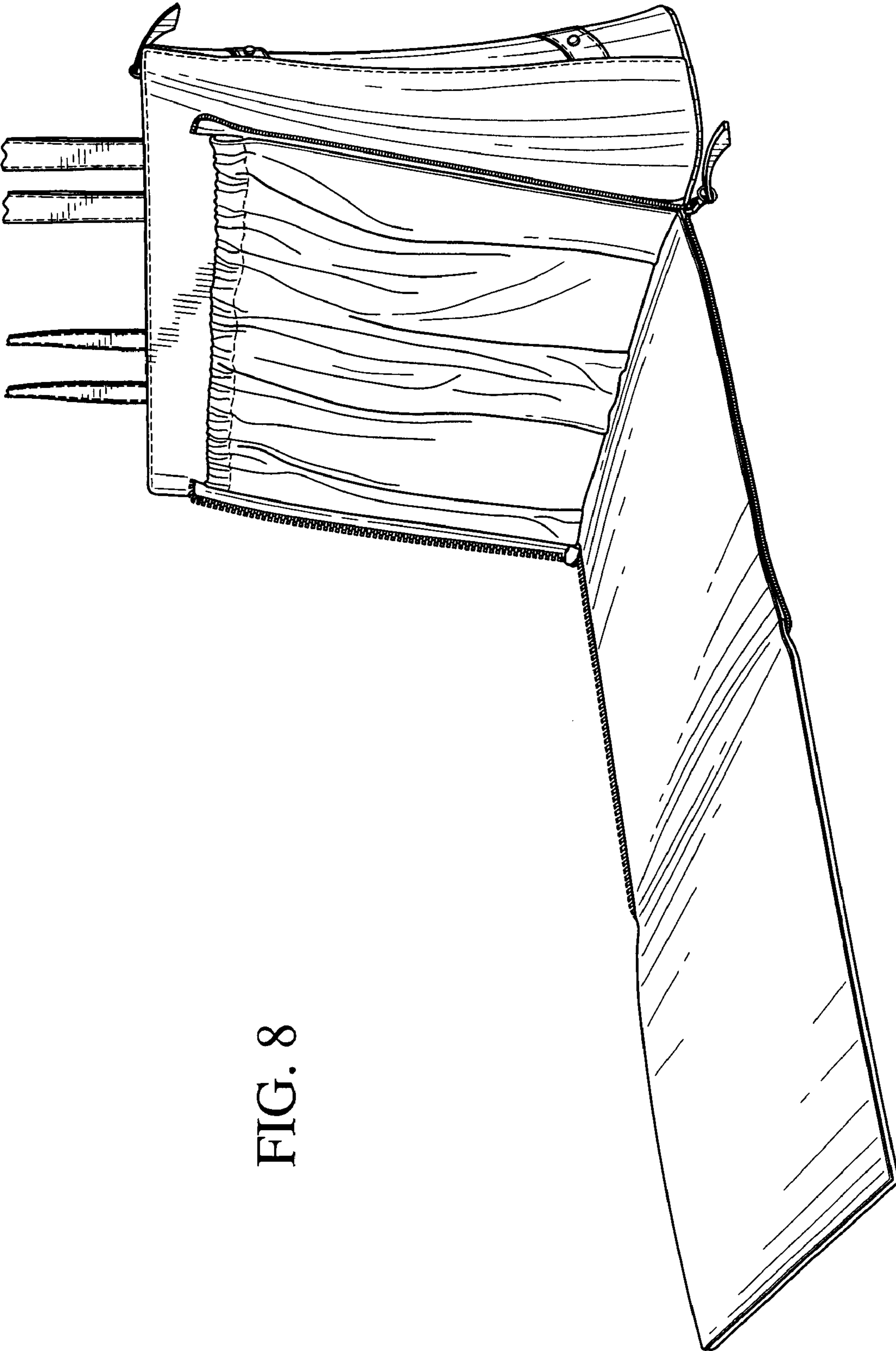


FIG. 8

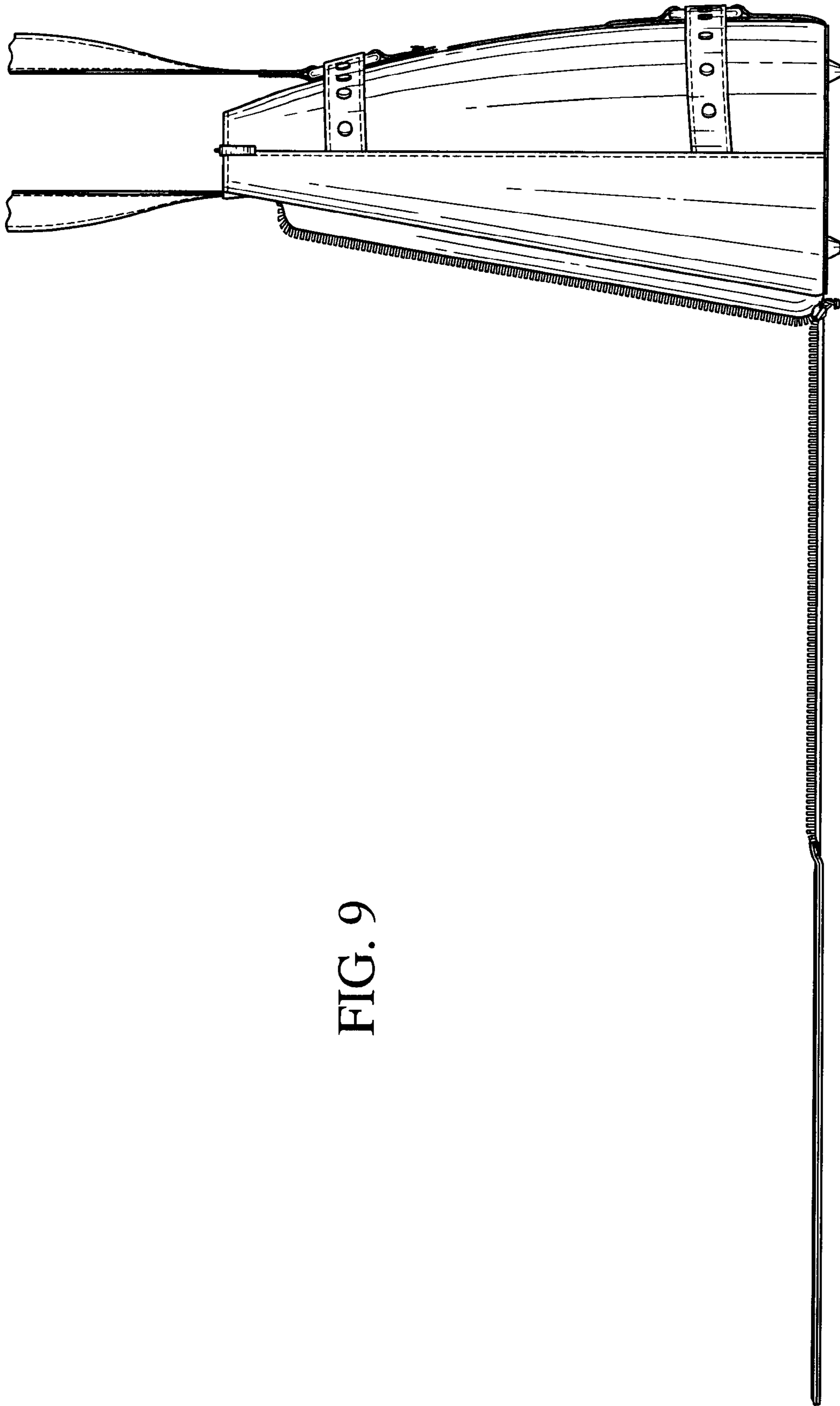


FIG. 9