



US00D523631S

(12) **United States Design Patent**
Guyon

(10) **Patent No.:** **US D523,631 S**

(45) **Date of Patent:** **** Jun. 27, 2006**

(54) **HANDBAG**

(75) **Inventor:** **Isabelle Guyon, Paris (FR)**

(73) **Assignee:** **S.A.S. Jean Cassegrain, Paris (FR)**

(**) **Term:** **14 Years**

(21) **Appl. No.:** **29/209,310**

(22) **Filed:** **Jul. 14, 2004**

(51) **LOC (8) Cl.** **03-01**

(52) **U.S. Cl.** **D3/246**

(58) **Field of Classification Search** D3/201,
D3/205, 206, 230, 232, 233, 234, 237, 238,
D3/239, 240, 241, 243, 245, 246, 247, 248,
D3/249, 254, 262, 276, 283, 287, 289, 296,
D3/303, 318, 326, 327, 900, 901, 902, 903,
D3/904; 150/100, 101, 104, 105, 107, 108,
150/110, 114, 118, 119, 120, 121, 122, 123,
150/124; 190/1, 24, 903; 383/907; 224/578,
224/579; 24/265 H

See application file for complete search history.

(56) **References Cited**

U.S. PATENT DOCUMENTS

D431,357 S * 10/2000 du Sartel D3/232
D434,218 S * 11/2000 Haapala D3/245

D462,167 S * 9/2002 Guyon D3/246
D490,607 S * 6/2004 Guyon D3/246
D501,599 S * 2/2005 Guyon D3/246
D504,015 S * 4/2005 Delafontaine D3/233

* cited by examiner

Primary Examiner—Louis S. Zarfes

Assistant Examiner—Monica A. Weingart

(74) *Attorney, Agent, or Firm*—Gottlieb, Rackman & Reisman, P.C.

(57) **CLAIM**

The ornamental design for a handbag, as shown and described.

DESCRIPTION

FIG. 1 is a bottom plan view of a handbag showing my new design;

FIG. 2 is a left side elevation view thereof;

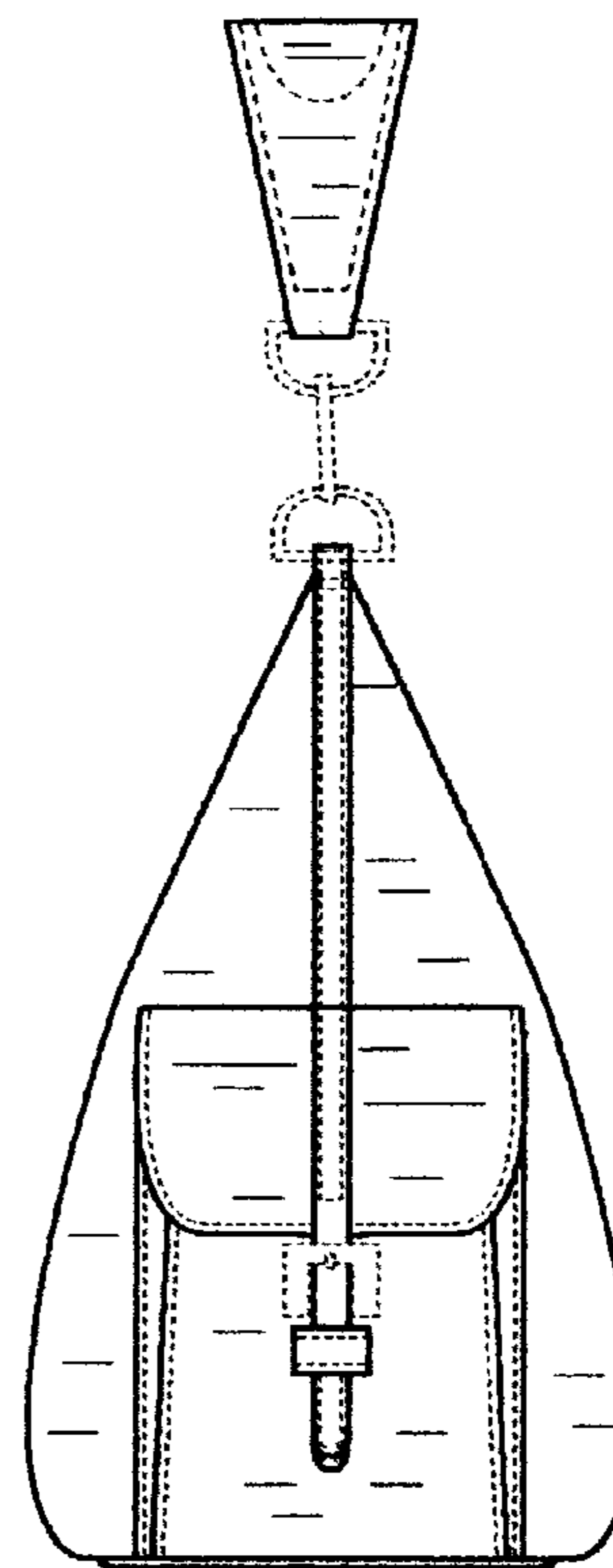
FIG. 3 is a front elevation view thereof, the rear elevation view being a mirror image thereof;

FIG. 4 is a top plan view thereof; and,

FIG. 5 is a right side elevation view thereof.

The broken line showing, of stitching on the handle and hardware in the views, is for illustrative purposes only and forms no part of the claimed design.

1 Claim, 2 Drawing Sheets



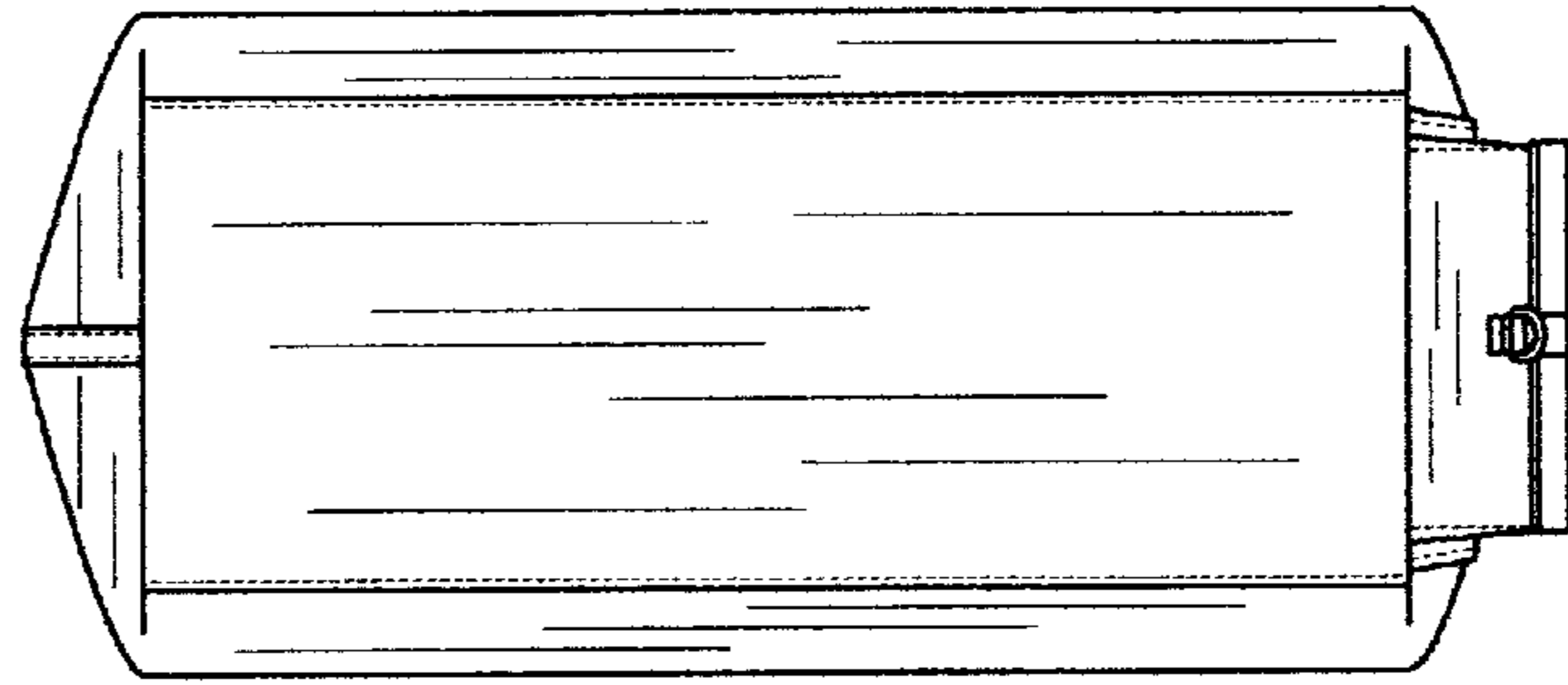


FIG. 1

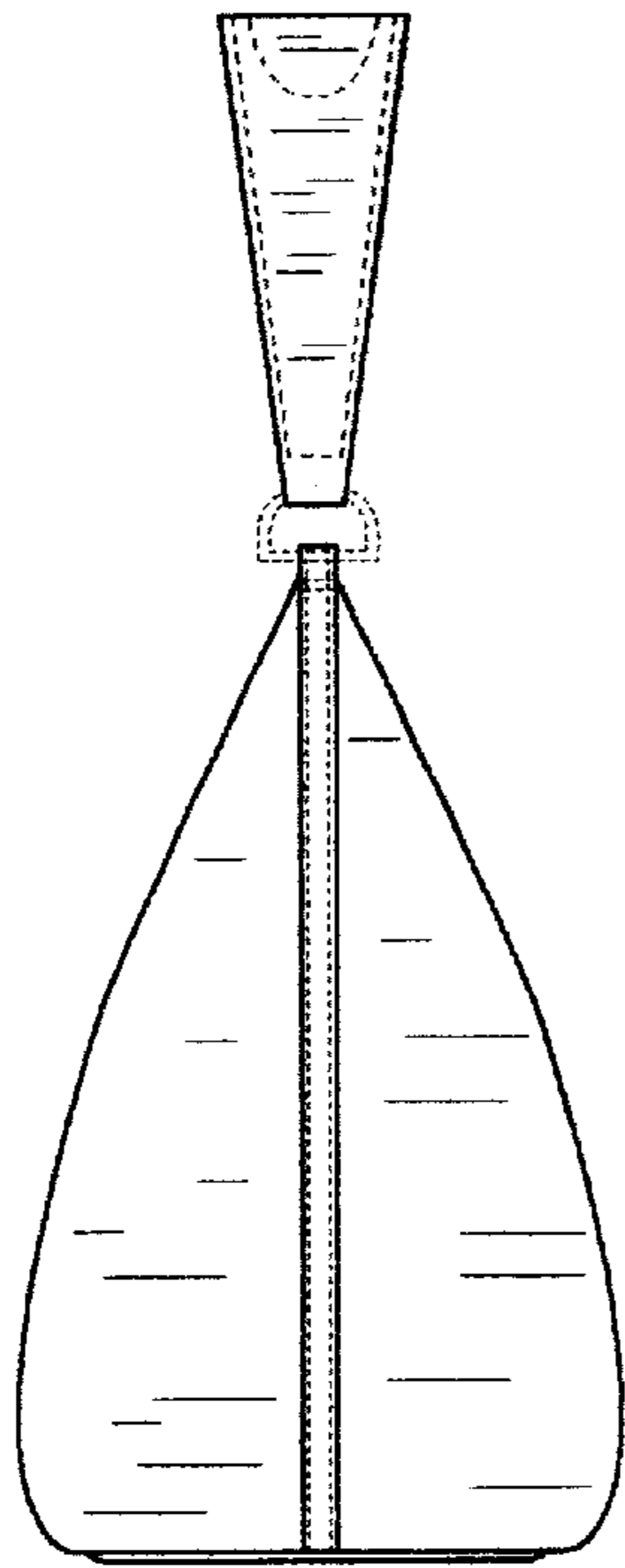


FIG. 2



FIG. 3

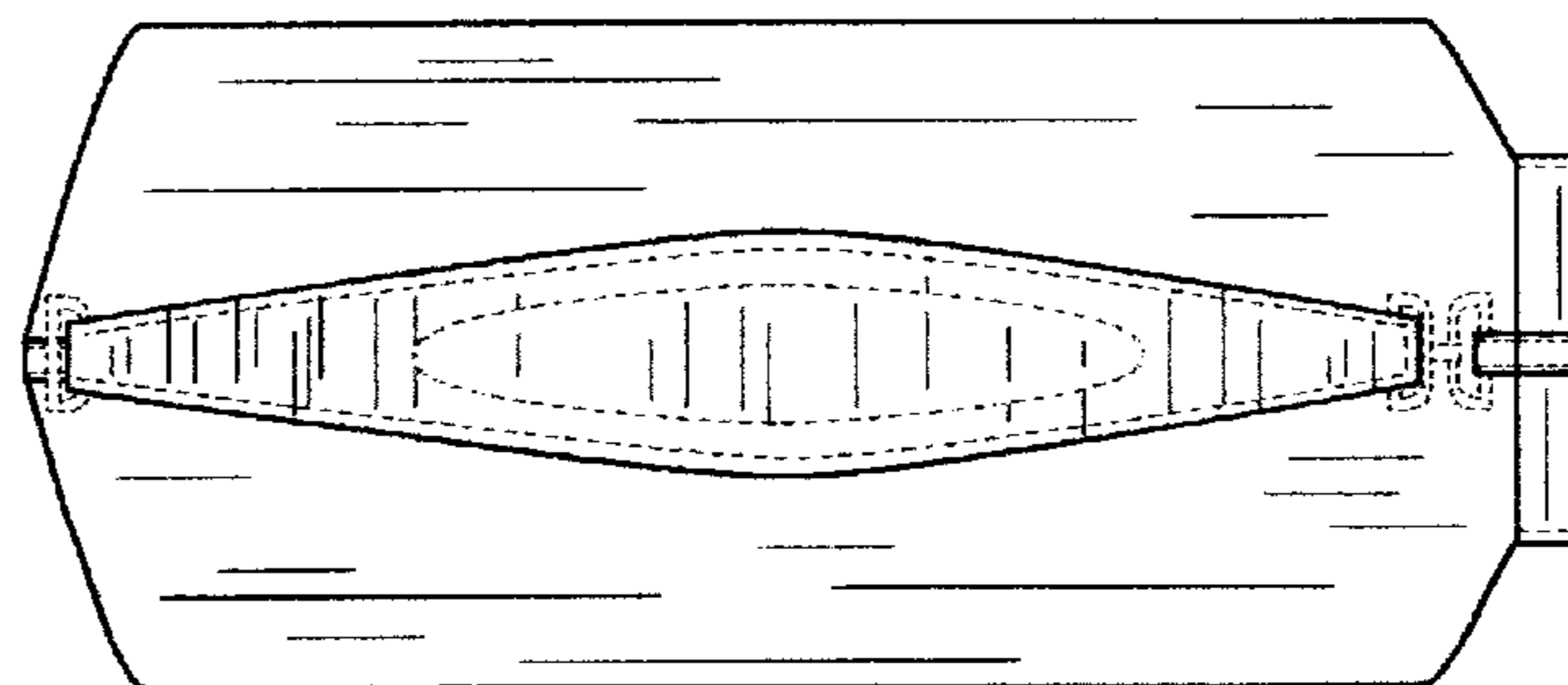


FIG. 4

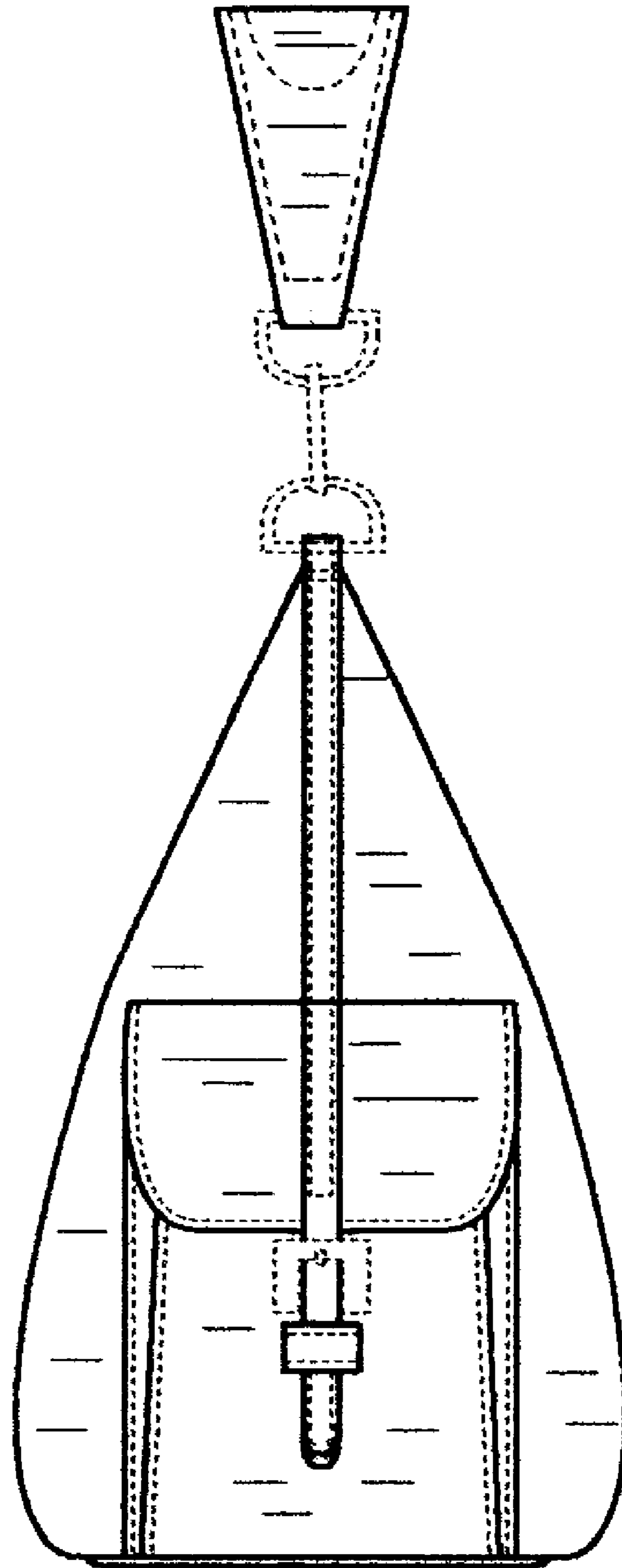


FIG. 5