



US00D523608S

(12) **United States Design Patent**  
**Brubacher et al.**

(10) **Patent No.:** **US D523,608 S**  
(45) **Date of Patent:** **\*\* Jun. 20, 2006**

(54) **CART**

(76) Inventors: **Paul Brubacher**, 72 Amos Avenue,  
Waterloo, Ontario (CA), N2L 5G3;  
**Harry Van Dyke**, 65 Woodland Drive,  
Cambridge Ontario (CA), N1R 2X7

(\*\*) **Term:** **14 Years**

(21) **Appl. No.:** **29/224,056**

(22) **Filed:** **Feb. 25, 2005**

(51) **LOC (8) Cl.** ..... **12-02**

(52) **U.S. Cl.** ..... **D34/24**

(58) **Field of Classification Search** ..... D34/12-27,  
D34/1; 280/47.131, 47.17-47.19, 47.24,  
280/47.28, 47.27, 47.34, 47.2, 47.29, 47.315,  
280/40, 200, 641, 652, 651, 655, 655.1, 646,  
280/79.11, 79.2, 79.5; 180/19.1-19.3; 248/129;  
414/490, 444; D15/13; D3/201  
See application file for complete search history.

(56) **References Cited**

**U.S. PATENT DOCUMENTS**

2,381,858	A	*	8/1945	Austin	.....	414/454
2,477,294	A	*	7/1949	Fuller	.....	414/448
4,098,416	A	*	7/1978	Fawley	.....	414/453
4,205,937	A	*	6/1980	Fawley	.....	414/457
D330,959	S	*	11/1992	Apter et al.	.....	D34/26
D344,833	S	*	3/1994	Apter et al.	.....	D34/26

D367,346	S	*	2/1996	Young	.....	D34/15
5,658,118	A	*	8/1997	Luca	.....	414/444
D424,770	S	*	5/2000	Watkins et al.	.....	D34/12
D432,283	S	*	10/2000	Mohns	.....	D34/24
D455,882	S	*	4/2002	Ziolkowski	.....	D34/24
D473,692	S	*	4/2003	Tafoya	.....	D34/31
6,616,153	B1	*	9/2003	Matre et al.	.....	280/47.29

\* cited by examiner

*Primary Examiner*—Freda Nunn  
*Assistant Examiner*—Kevin K. Rudzinski

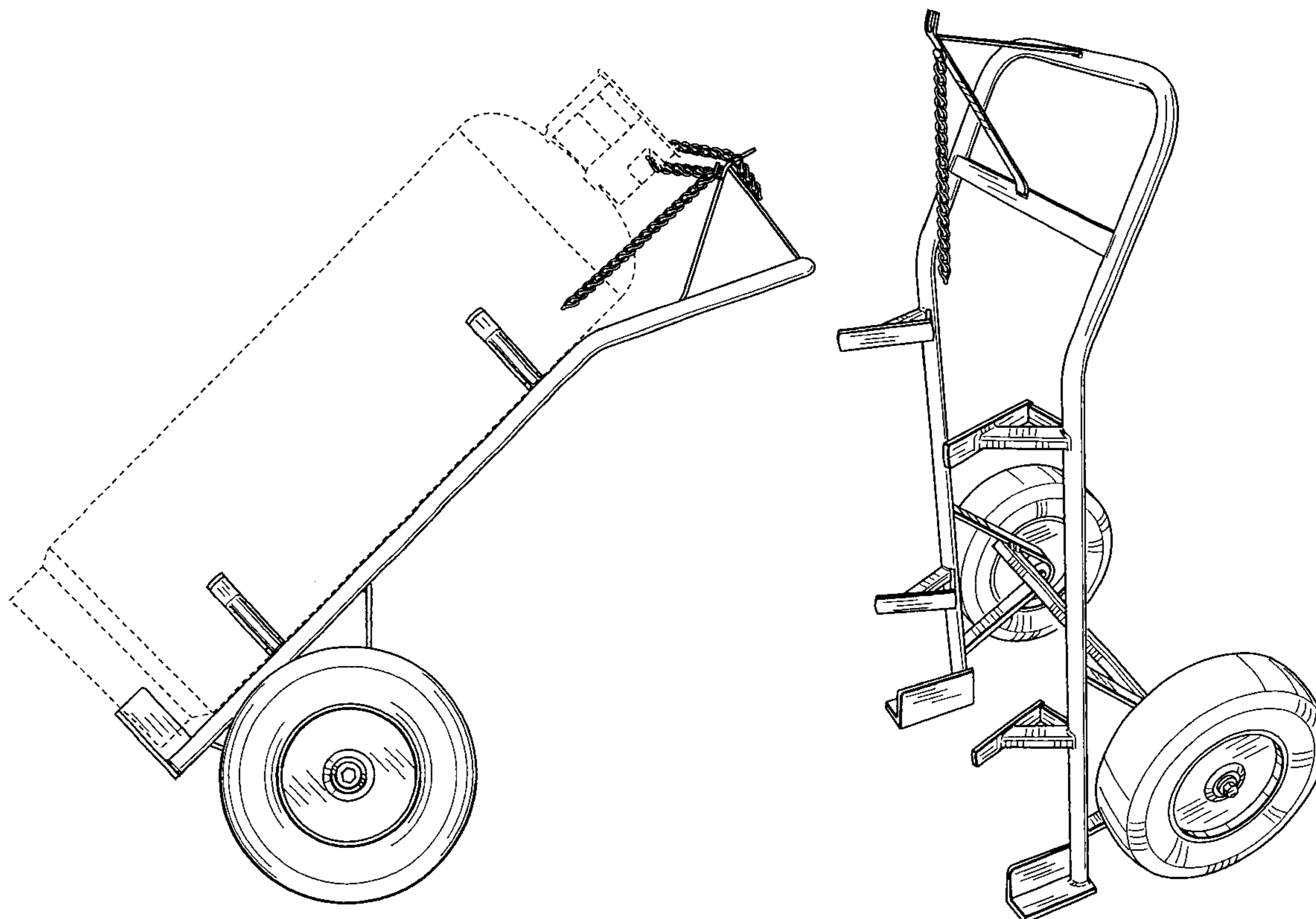
(57) **CLAIM**

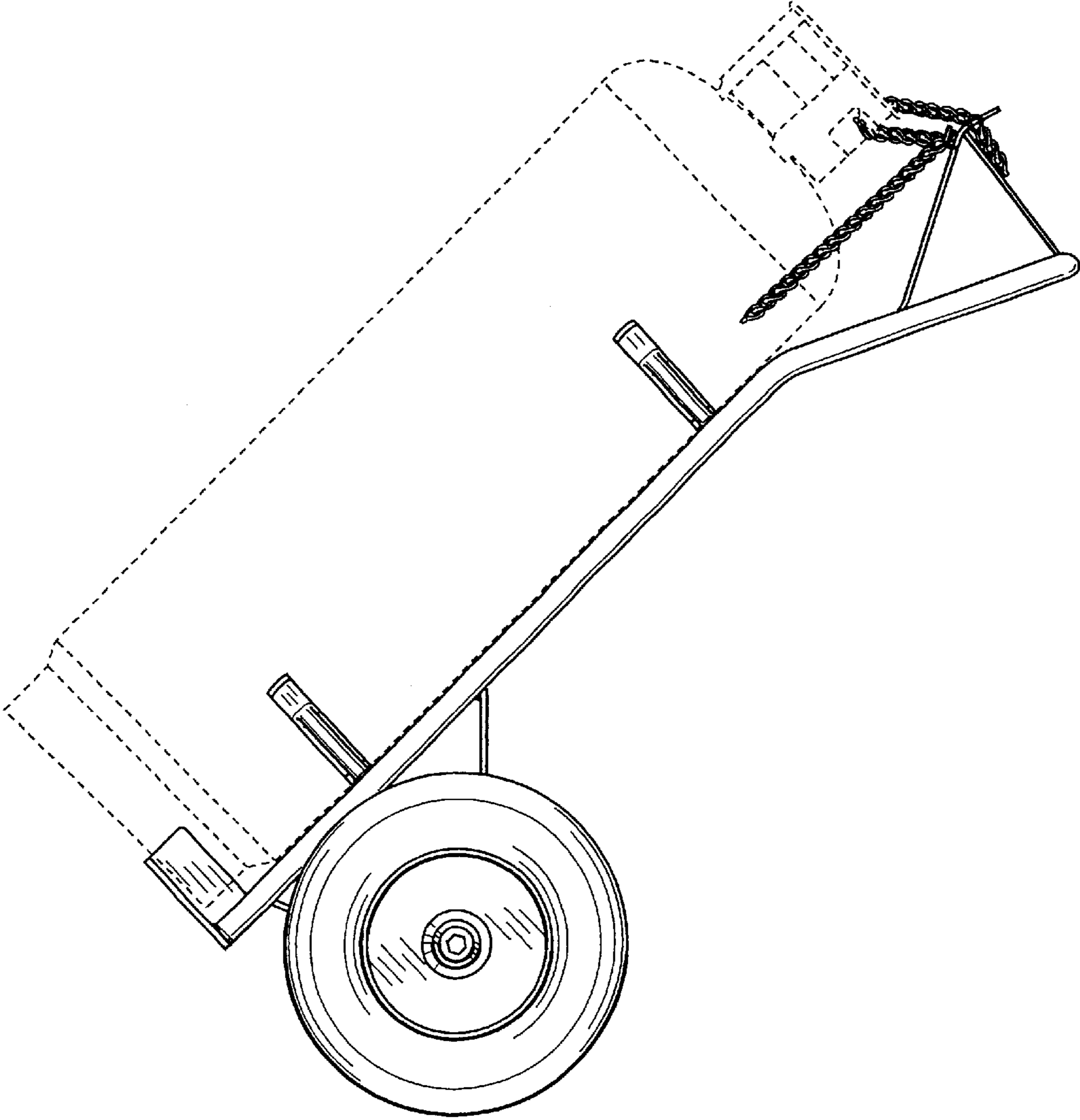
The ornamental design for a cart, as shown and described.

**DESCRIPTION**

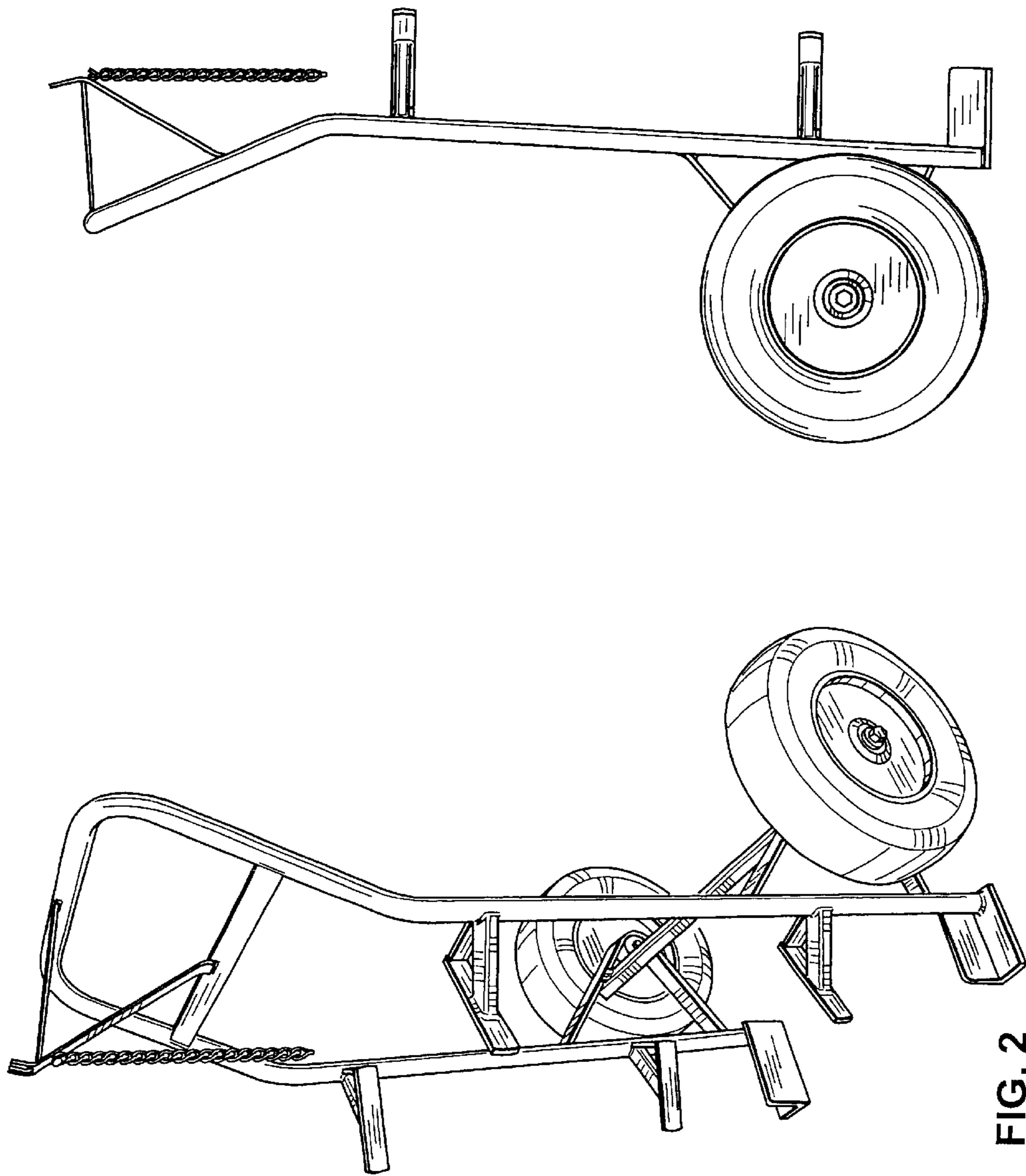
FIG. 1 is a side view of the cart in a raised position with a tank supported thereon;  
FIG. 2 is a perspective view of a front side of the cart thereof;  
FIG. 3 is a side elevation view of a first side thereof;  
FIG. 4 is a front view thereof;  
FIG. 5 is a side elevation view of a second side thereof;  
FIG. 6 is a back view thereof;  
FIG. 7 is a top view thereof; and,  
FIG. 8 is a bottom view thereof.  
The broken lines showing the tank in FIG. 1 are for illustrative purposes only and form no part of the claimed design.

**1 Claim, 4 Drawing Sheets**



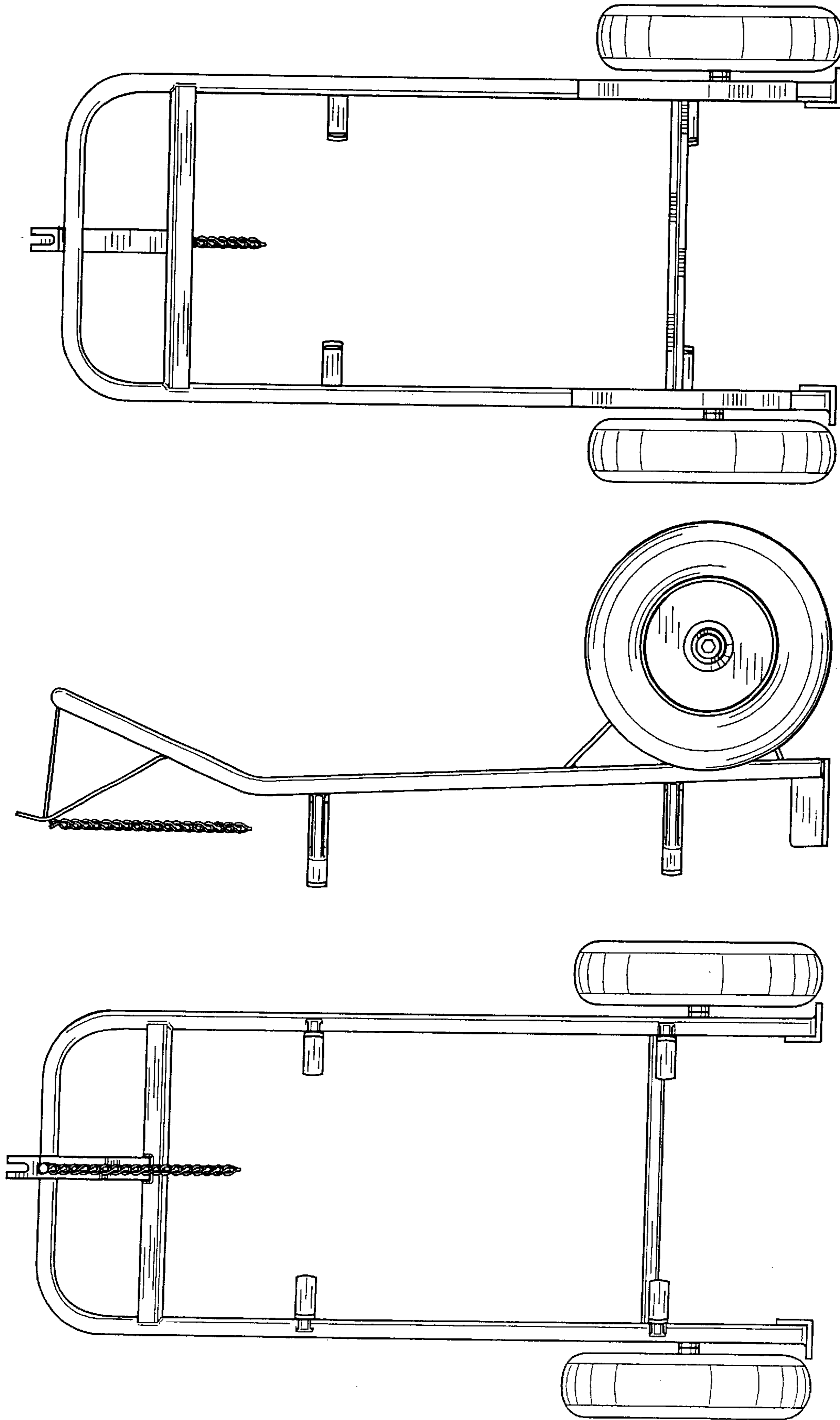


**FIG. 1**



**FIG. 3**

**FIG. 2**



**FIG. 4**

**FIG. 5**

**FIG. 6**

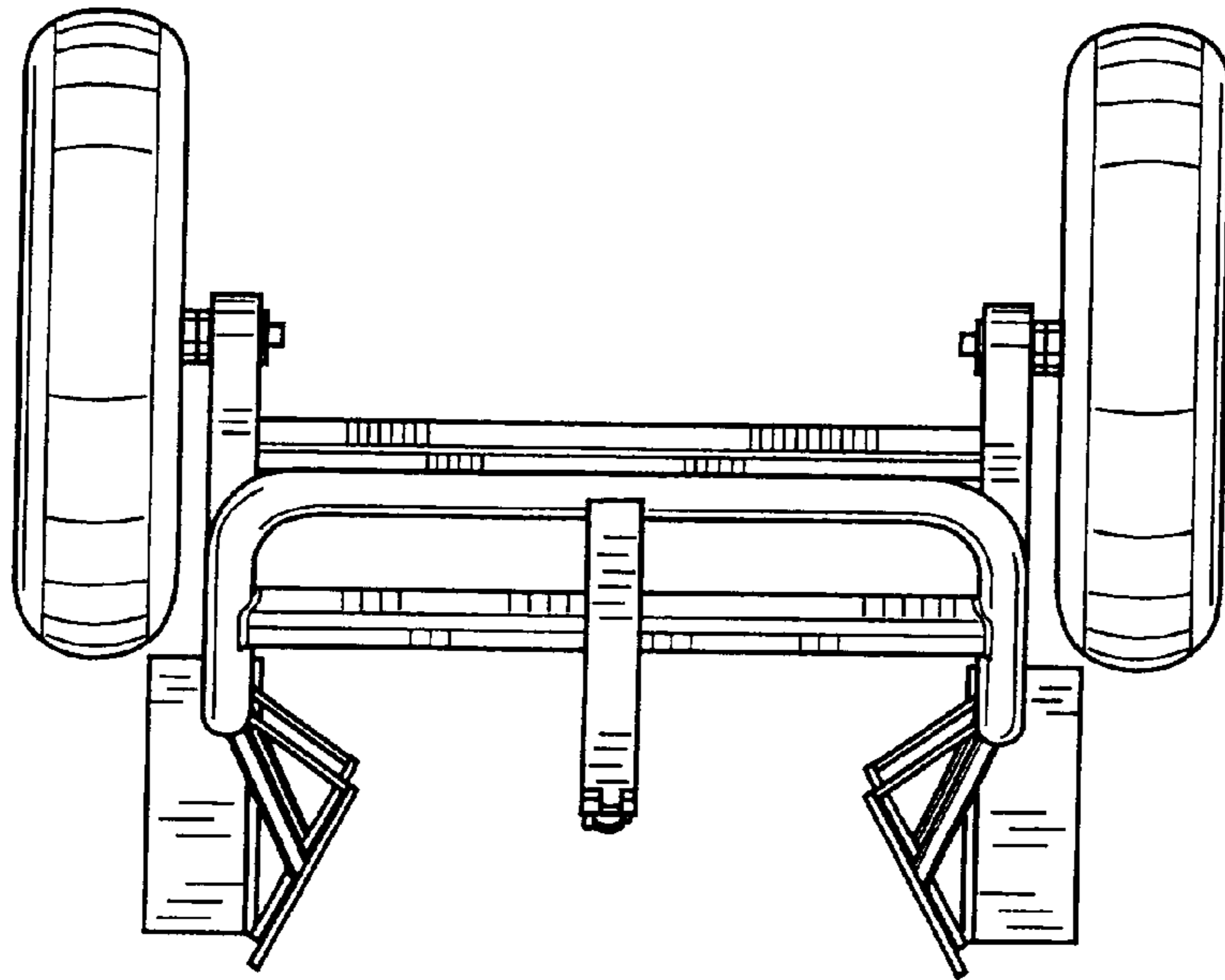


FIG. 7

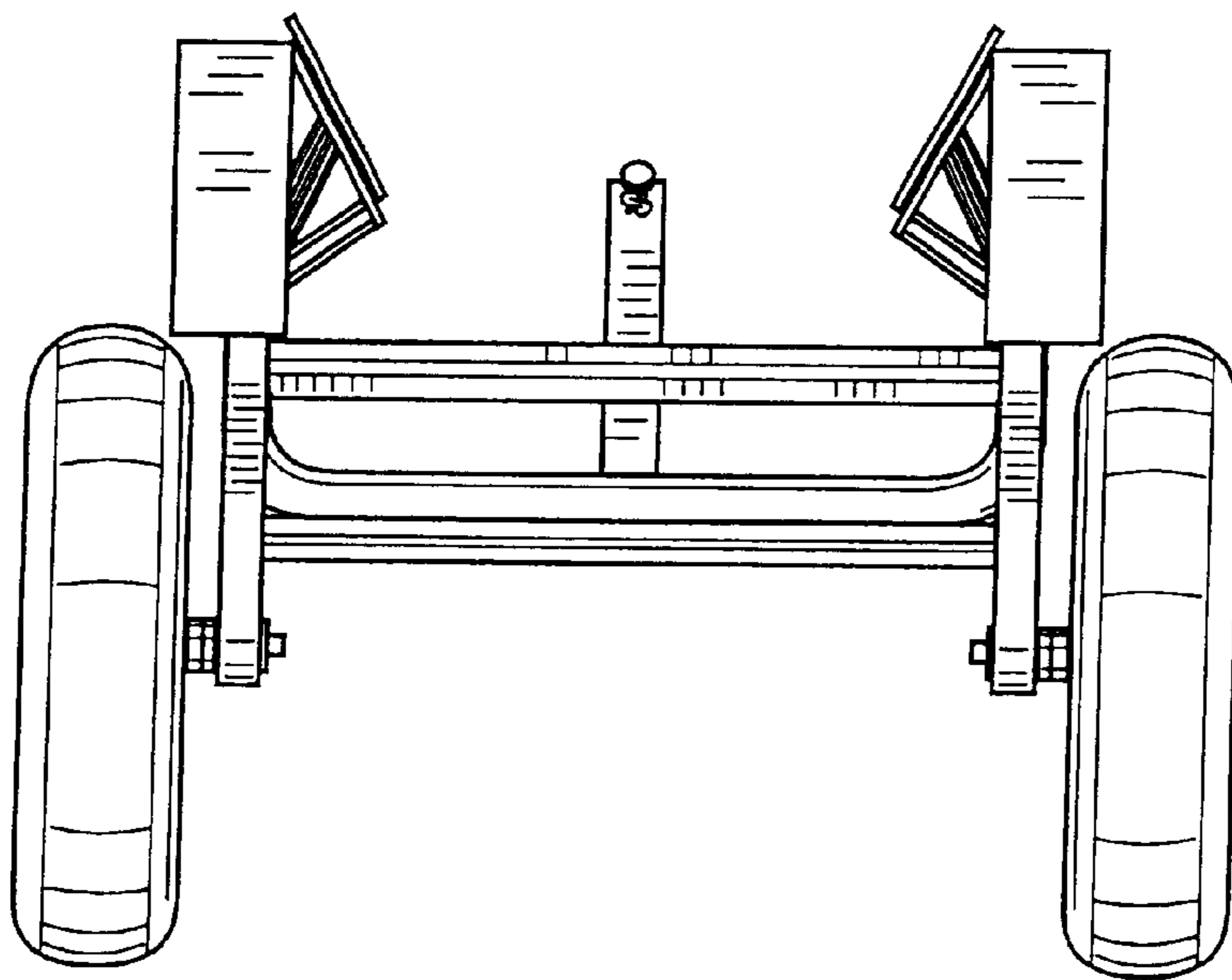


FIG. 8