



US00D523606S

(12) **United States Design Patent**
Brekke

(10) **Patent No.:** **US D523,606 S**
(45) **Date of Patent:** **** Jun. 20, 2006**

(54) **POPCORN CART**

6,460,451 B1 * 10/2002 Helman et al. 99/323.5
D469,234 S * 1/2003 Bond et al. D34/14

(75) Inventor: **Bruce Brekke**, Las Vegas, NV (US)

* cited by examiner

(73) Assignee: **Strokin, LLC**, Chaska, MN (US)

Primary Examiner—Freda Nunn

(**) Term: **14 Years**

Assistant Examiner—Kevin K. Rudzinski

(74) *Attorney, Agent, or Firm*—Fredrikson & Byron, P.A.

(21) Appl. No.: **29/224,694**

(57) **CLAIM**

(22) Filed: **Mar. 4, 2005**

I claim the ornamental design for the popcorn cart, as shown and described.

(51) **LOC (8) Cl.** **12-02**

(52) **U.S. Cl.** **D34/19**

(58) **Field of Classification Search** D34/12-27;
D11/145; D6/436, 455, 470, 460, 474; 296/22;
280/47.35; D15/79

See application file for complete search history.

DESCRIPTION

FIG. 1 is a rear, top, left side perspective view of the popcorn cart of my new design;

FIG. 2 is a left side view thereof; the right side being a mirror image thereof;

FIG. 3 is a rear view thereof;

FIG. 4 is a front view thereof;

FIG. 5 is a top view thereof; and,

FIG. 6 is a bottom view thereof.

Where included, broken lines showing environment or structure are for illustrative purposes only and form no part of the claimed design.

(56) **References Cited**

U.S. PATENT DOCUMENTS

1,539,668	A	*	5/1925	Hamilton	126/261
D271,387	S	*	11/1983	Lentz et al.	D11/145
D294,534	S	*	3/1988	Hawthorn et al.	D34/25
D334,303	S	*	3/1993	Costello et al.	D5/436
D382,886	S	*	8/1997	Fløysvik	D15/79
5,918,323	A	*	7/1999	Smith	4/262
D460,846	S	*	7/2002	Helman et al.	D34/14

1 Claim, 5 Drawing Sheets

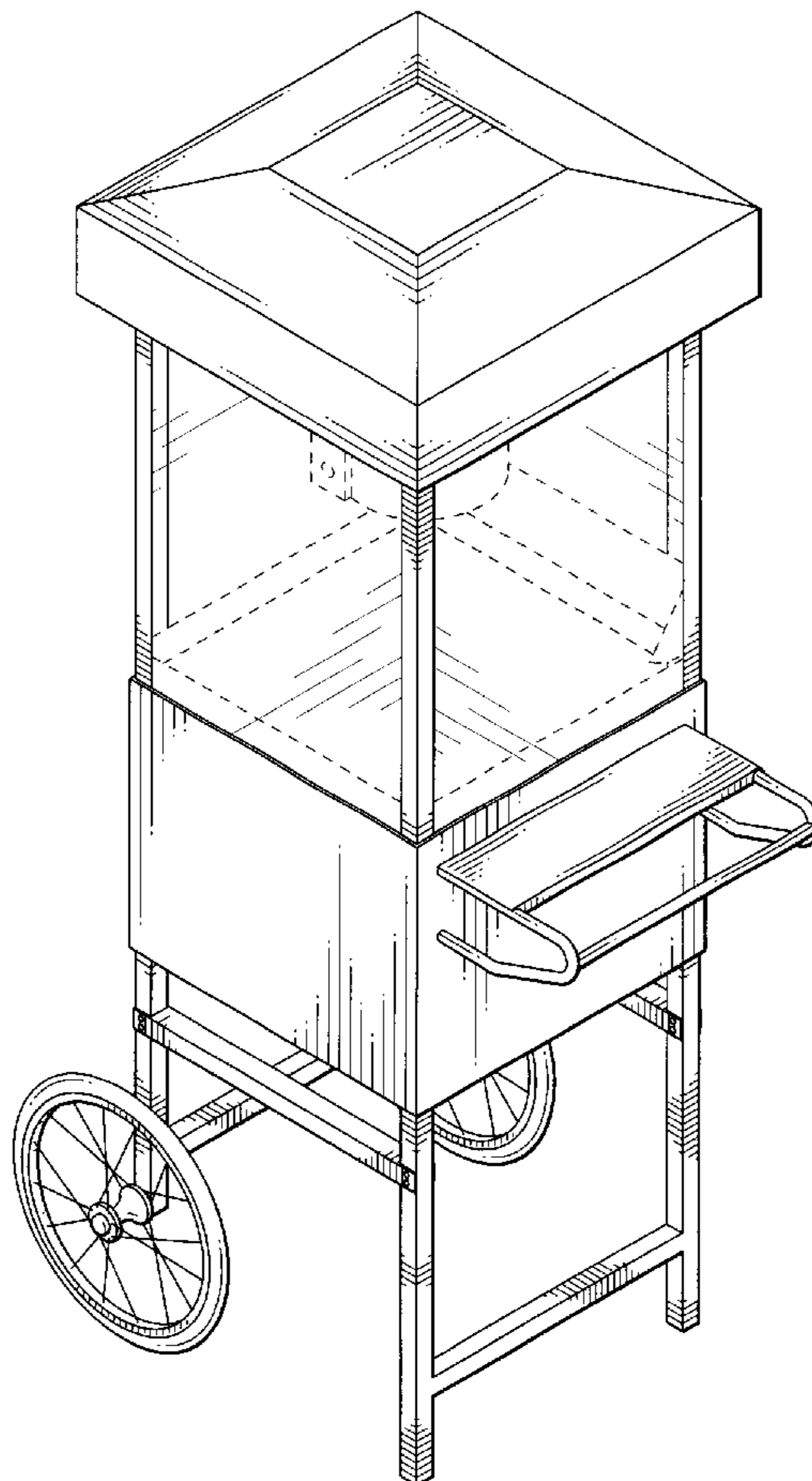
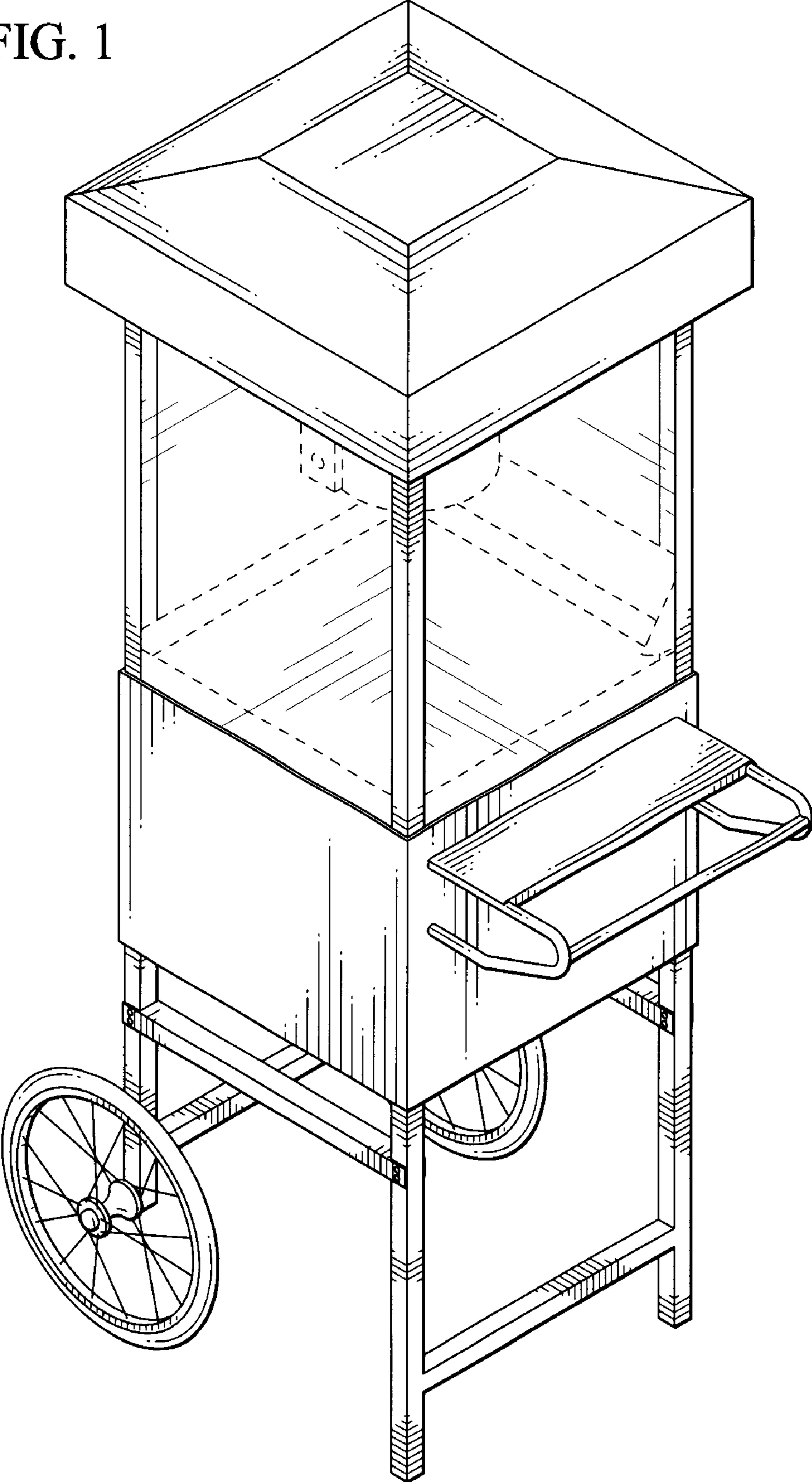


FIG. 1



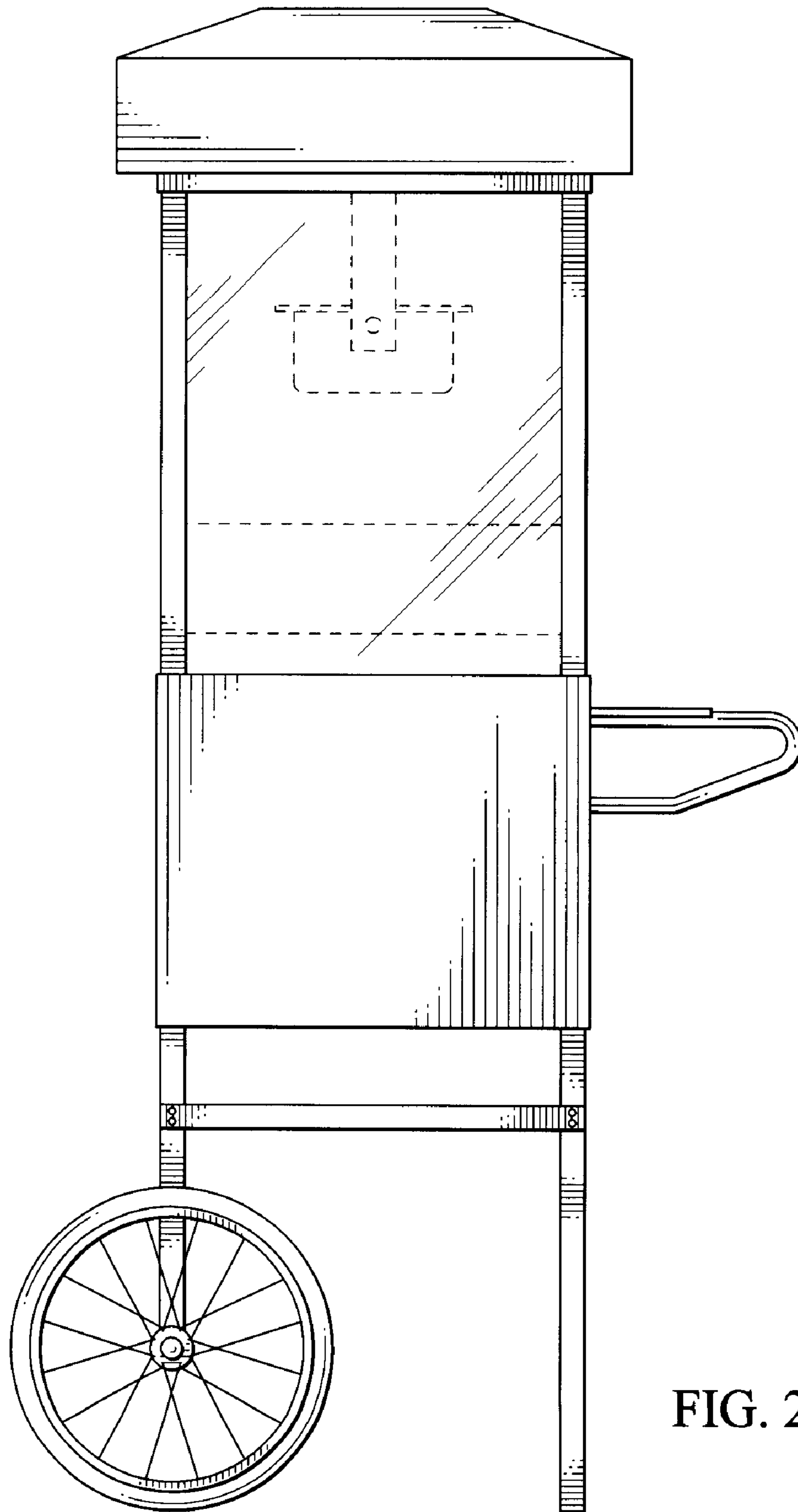


FIG. 2

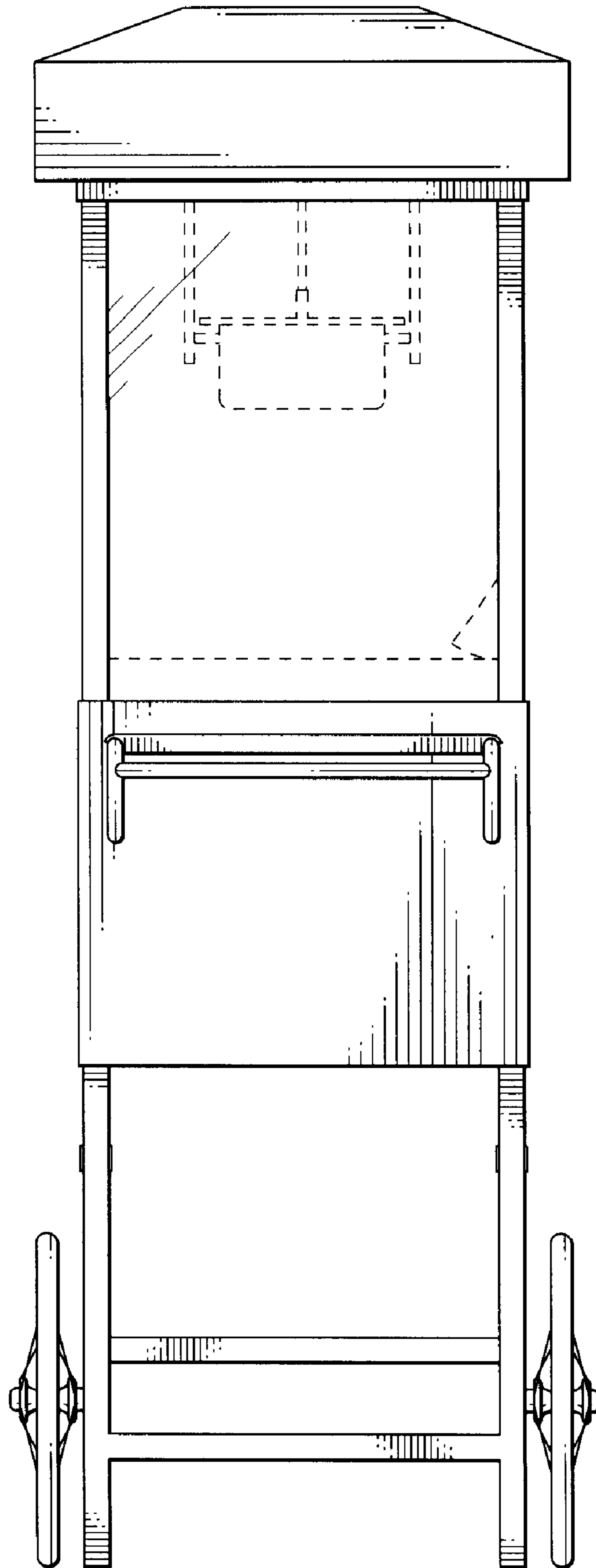


FIG. 3

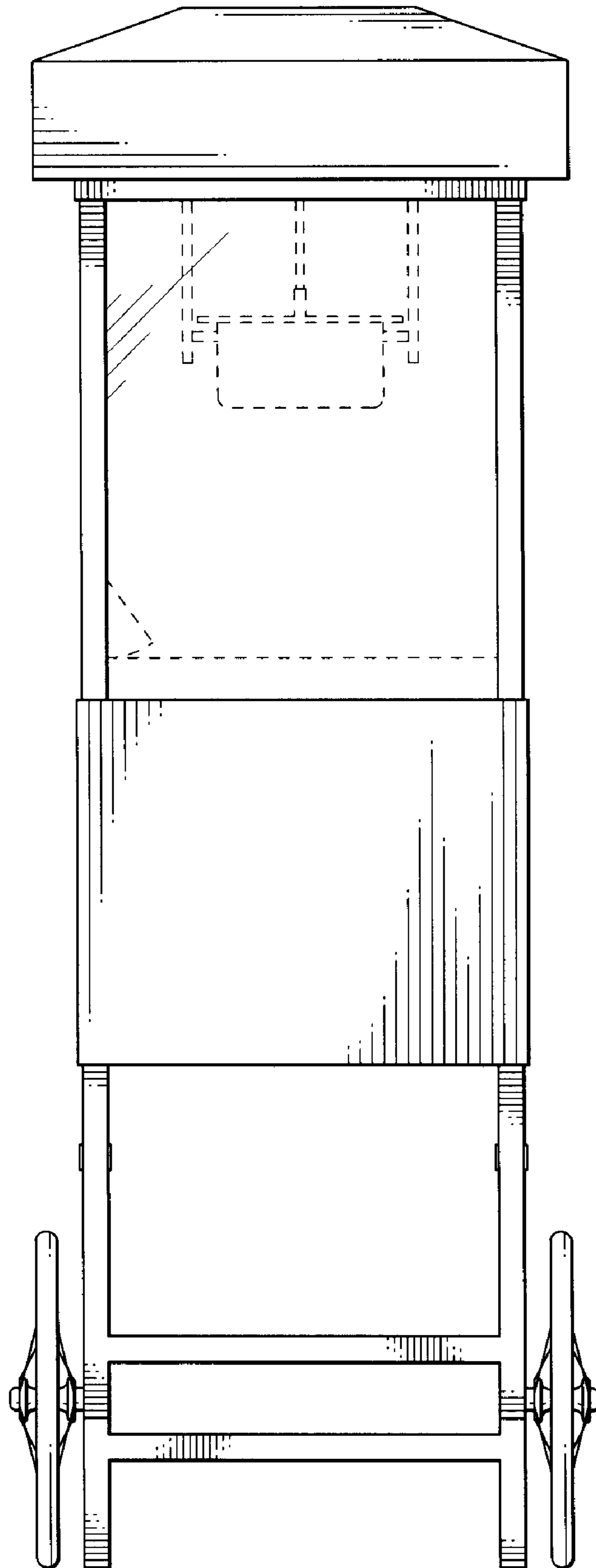


FIG. 4

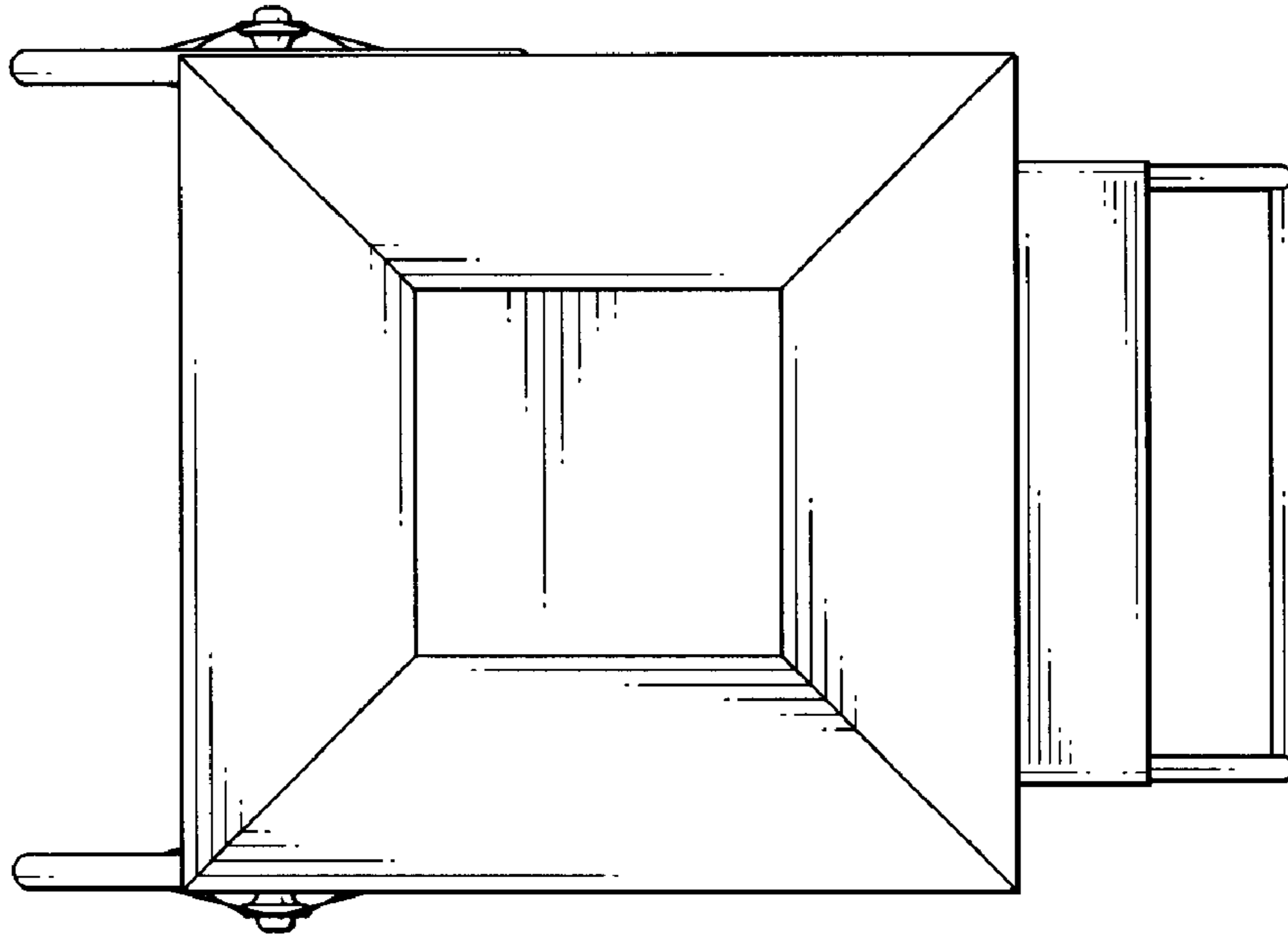


FIG. 5

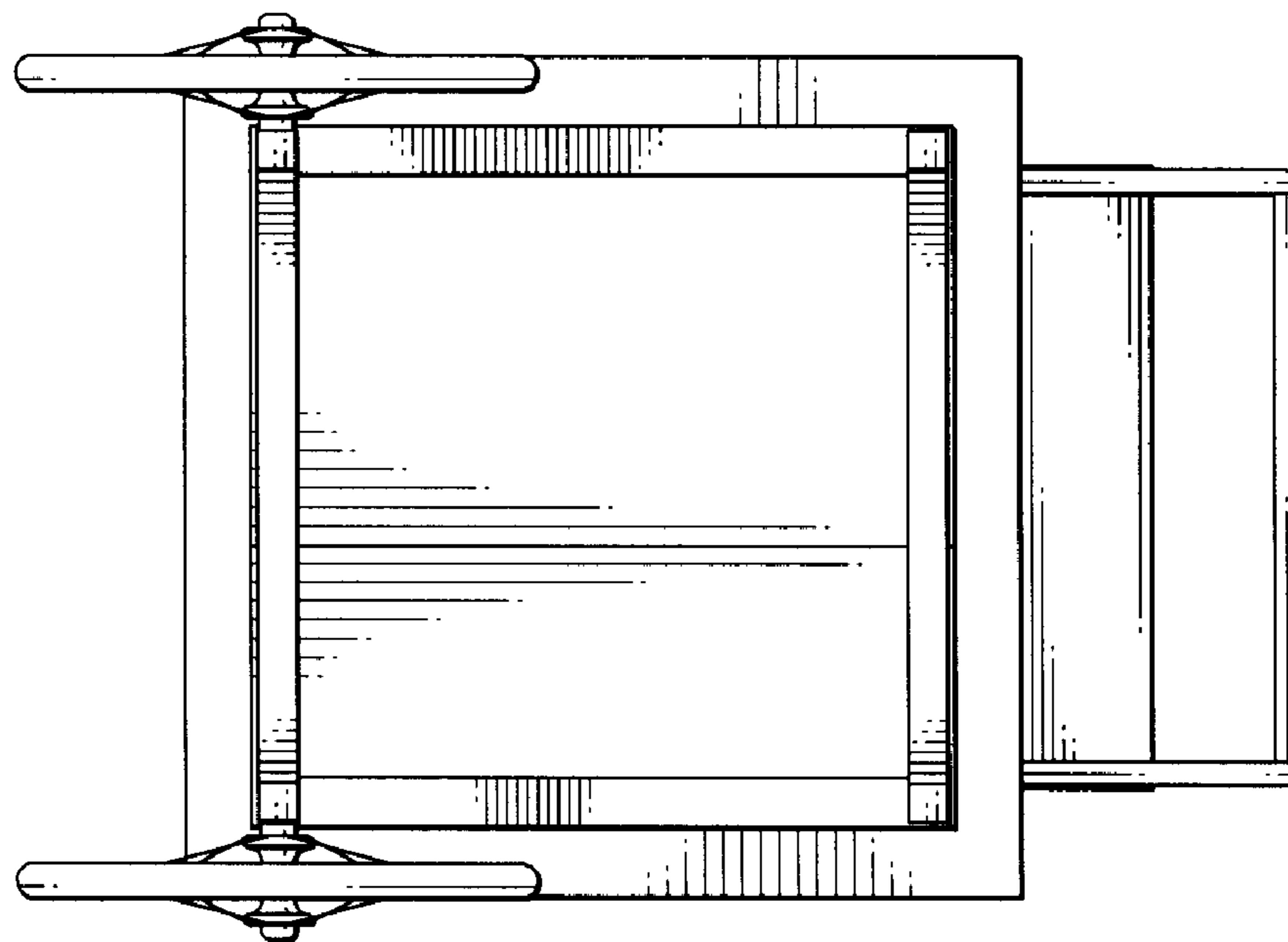


FIG. 6