



US00D523602S

(12) **United States Design Patent**
Memari

(10) **Patent No.:** **US D523,602 S**
(45) **Date of Patent:** **** Jun. 20, 2006**

(54) **COMBINED RECYCLING AND
ADVERTISING RECEPTACLE**

(76) Inventor: **Kaveh Memari**, Unit 2 166 Tower
Bridge Road, London (GB), SE1 3LS

(**) Term: **14 Years**

(21) Appl. No.: **29/212,865**

(22) Filed: **Sep. 9, 2004**

(51) **LOC (8) Cl.** **09-09**

(52) **U.S. Cl.** **D34/1; D20/19**

(58) **Field of Classification Search** D34/1,
D34/4, 5, 6, 7, 8, 9, 10, 11; 220/908; D20/19;
40/606.05, 606.18, 611.03, 611.1

See application file for complete search history.

(56) **References Cited**

U.S. PATENT DOCUMENTS

D214,644 S	*	7/1969	Maris	D34/5
3,803,738 A	*	4/1974	Weiss	40/306
D355,740 S	*	2/1995	Kirchner	D34/1
D388,922 S	*	1/1998	Peters	D34/1
D389,631 S	*	1/1998	Peters	D34/1
D428,229 S	*	7/2000	Olivetti	D34/1
D492,827 S	*	7/2004	Amato et al.	D34/1
D507,089 S	*	7/2005	Enayati et al.	D34/1

* cited by examiner

Primary Examiner—Cynthia E. Ramirez

(74) *Attorney, Agent, or Firm*—Carter, DeLuca, Farrell &
Schmidt, LLP

(57) **CLAIM**

The ornamental designs for combined recycling and advertising receptacle, as shown and described.

DESCRIPTION

FIG. 1 is a front perspective view of combined recycling and advertising receptacle in accordance with an embodiment of the present design;

FIG. 2 is a rear perspective view of the combined recycling and advertising receptacle of FIG. 1;

FIG. 3 is a top plan view of the combined recycling and advertising receptacle of FIGS. 1 and 2;

FIG. 4 is a left side elevational view of the combined recycling and advertising receptacle of FIGS. 1–3, the right side elevational view being a mirror image of the left side elevational view;

FIG. 5 is a rear elevational view of the combined recycling and advertising receptacle of FIGS. 1–4;

FIG. 6 is a front elevational view of the combined recycling and advertising receptacle of FIGS. 1–5;

FIG. 7 is a bottom plan view of the combined recycling and advertising receptacle of FIGS. 1–6;

FIG. 8 is a front perspective view of a combined recycling and advertising receptacle in accordance with another embodiment of the present design;

FIG. 9 is a rear perspective view of the combined recycling and advertising receptacle of FIG. 8;

FIG. 10 is a top plan view of the combined recycling and advertising receptacle of FIGS. 8 and 9;

FIG. 11 is a left side elevational view of the combined recycling and advertising receptacle of FIGS. 8–10, the right side elevational view being a mirror image of the left side elevational view;

FIG. 12 is a rear elevational view of the combined recycling and advertising receptacle of FIGS. 8–11;

FIG. 13 is a front elevational view of the combined recycling and advertising receptacle of FIGS. 8–12;

FIG. 14 is a bottom plan view of the combined recycling and advertising receptacle of FIGS. 8–13;

FIG. 15 is a front perspective view of a combined recycling and advertising receptacle in accordance with yet another embodiment of the present design;

FIG. 16 is a rear perspective view of the combined recycling and advertising receptacle of FIG. 15;

FIG. 17 is a top plan view of the combined recycling and advertising receptacle of FIGS. 15 and 16;

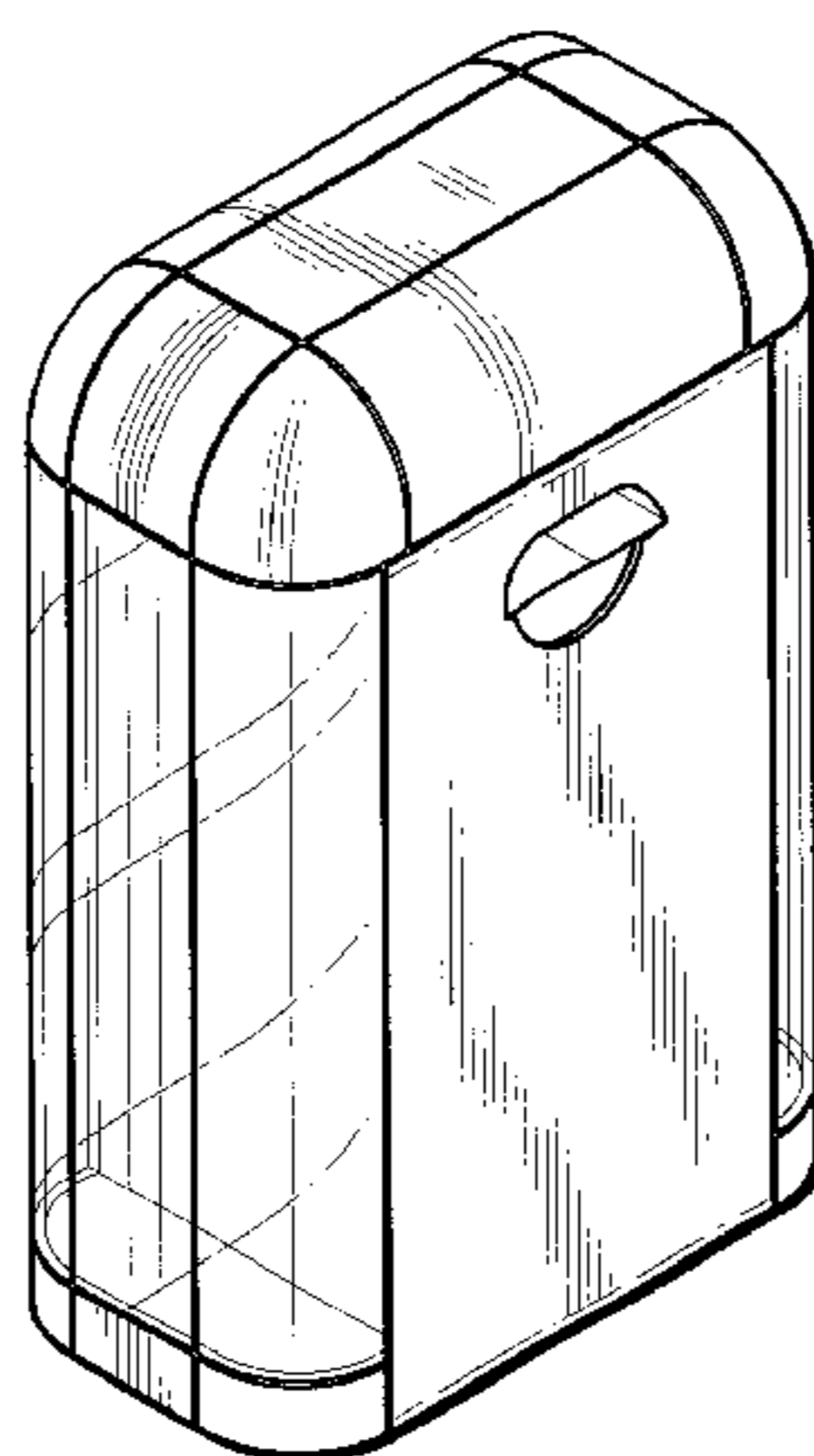
FIG. 18 is a left side elevational view of the combined recycling and advertising receptacle of FIGS. 15–17, the right side elevational view being a mirror image of the left side elevational view;

FIG. 19 is a rear elevational view of the combined recycling and advertising receptacle of FIGS. 15–18;

FIG. 20 is a front elevational view of the combined recycling and advertising receptacle of FIGS. 15–19; and,

FIG. 21 is a bottom plan view of the combined recycling and advertising receptacle of FIGS. 15–20.

1 Claim, 9 Drawing Sheets



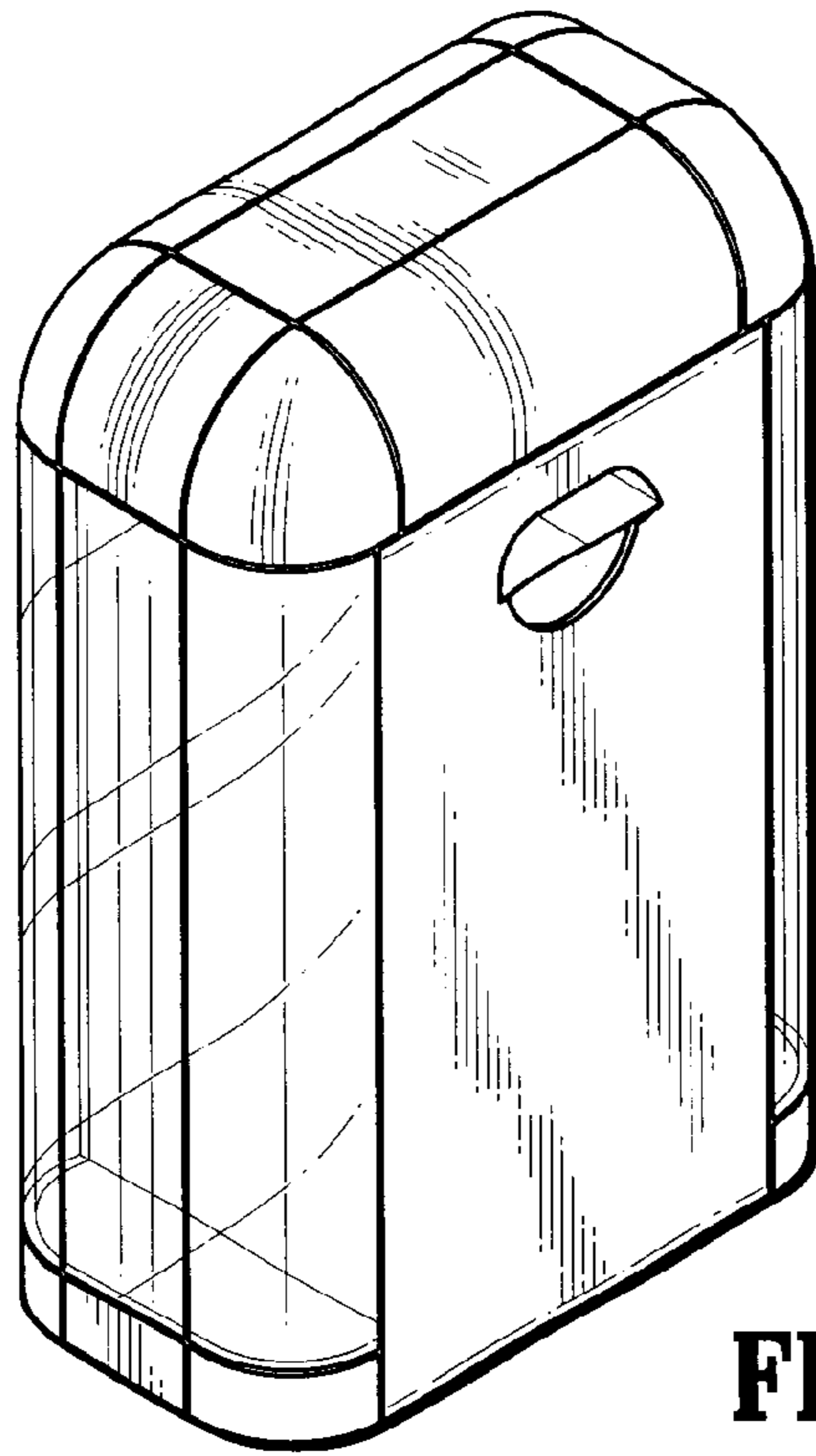


FIG. 1

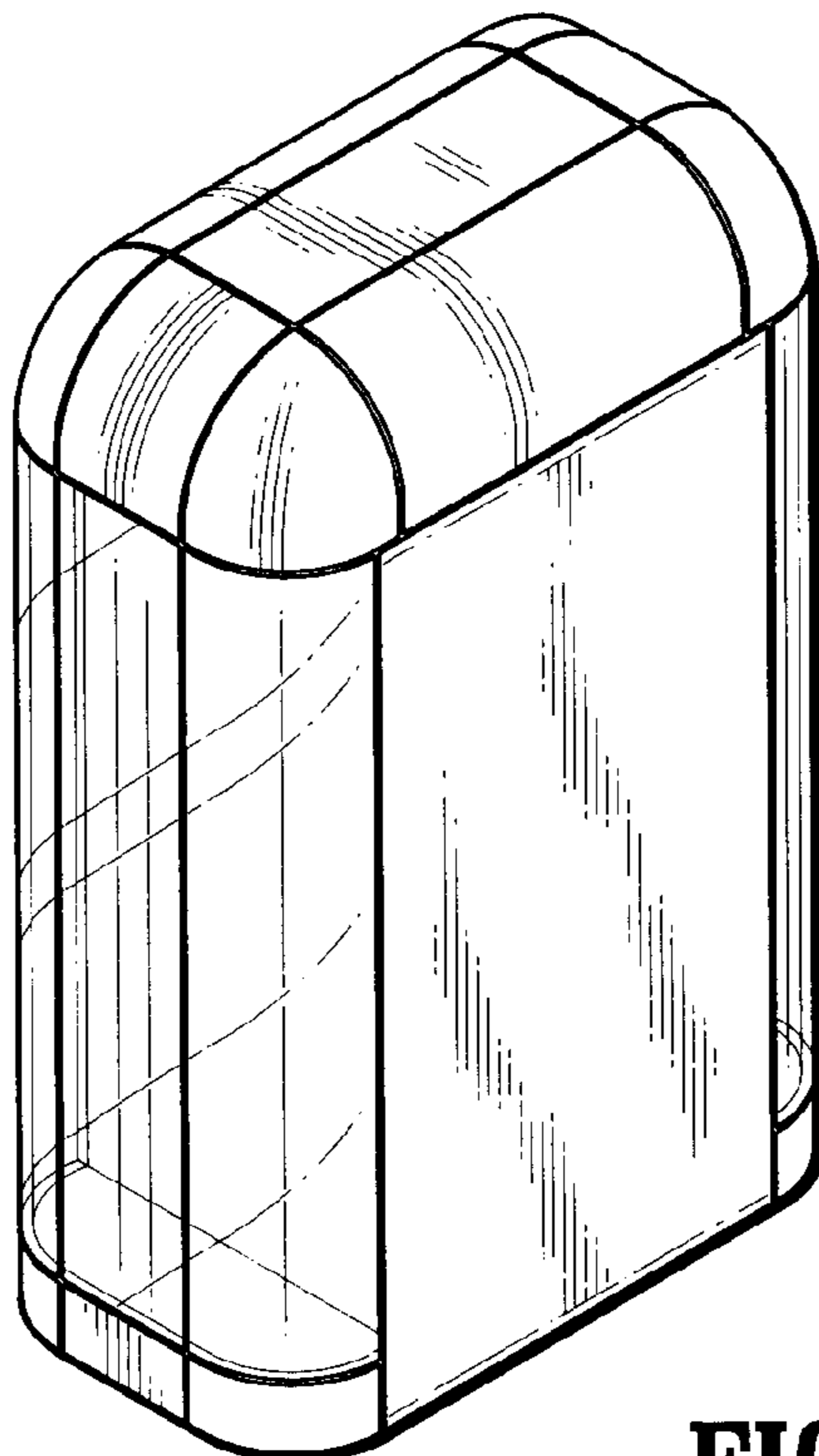


FIG. 2

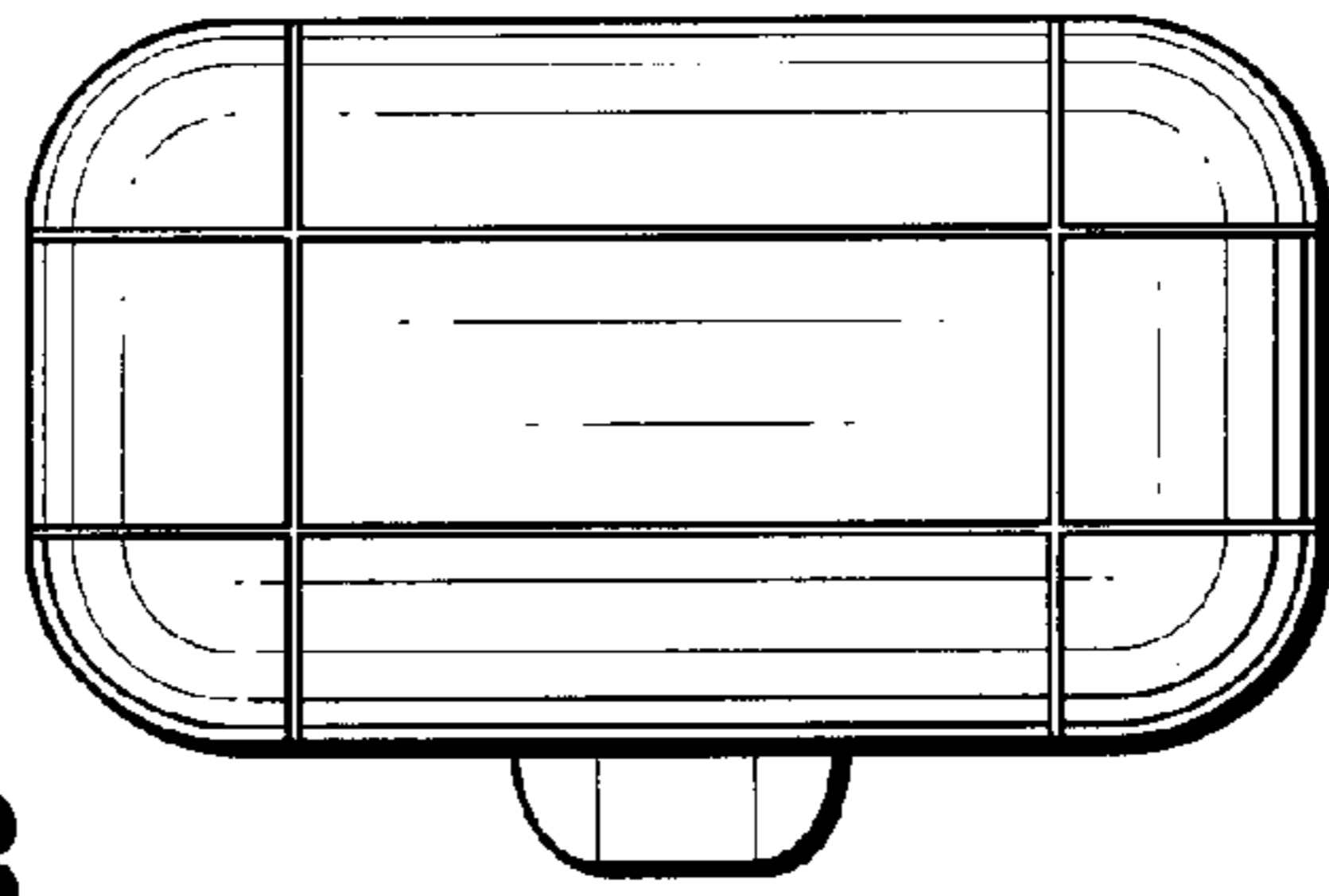


FIG. 3

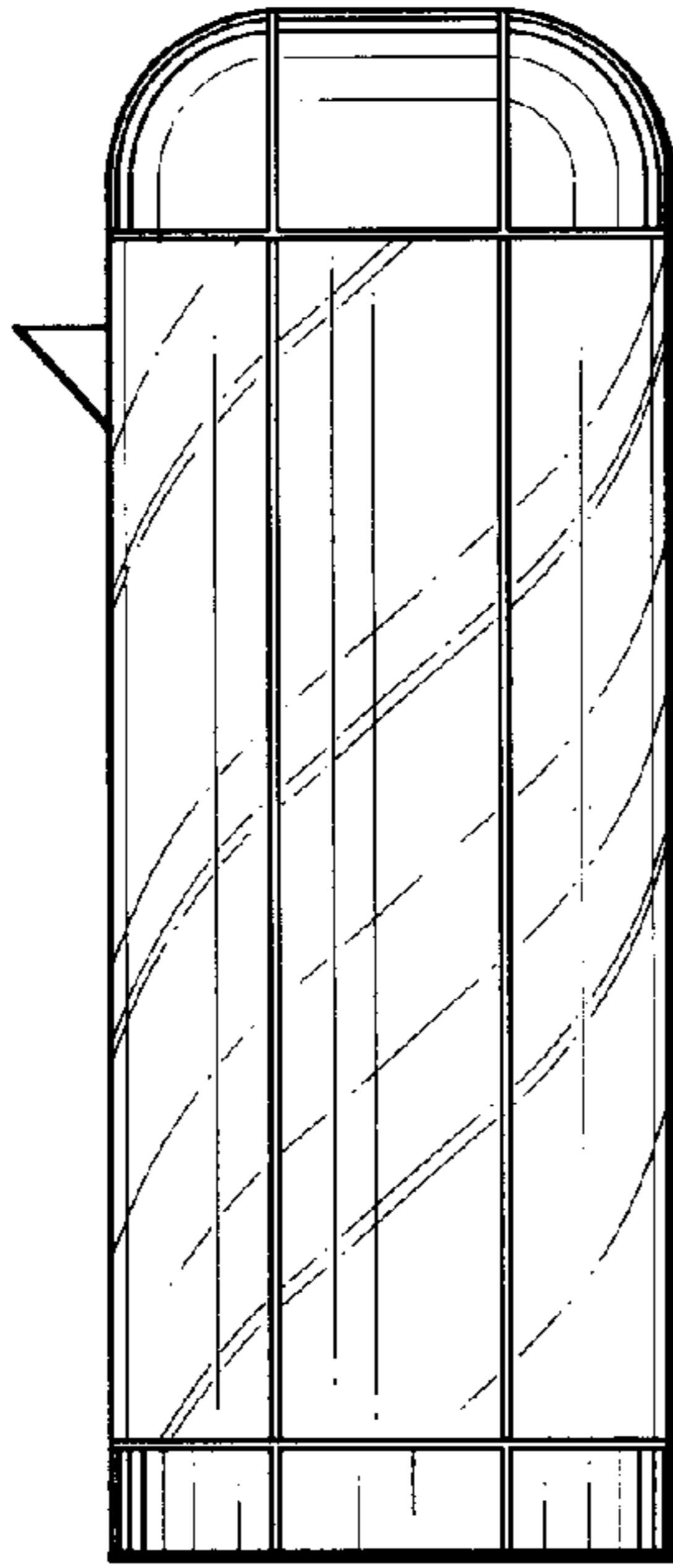


FIG. 4

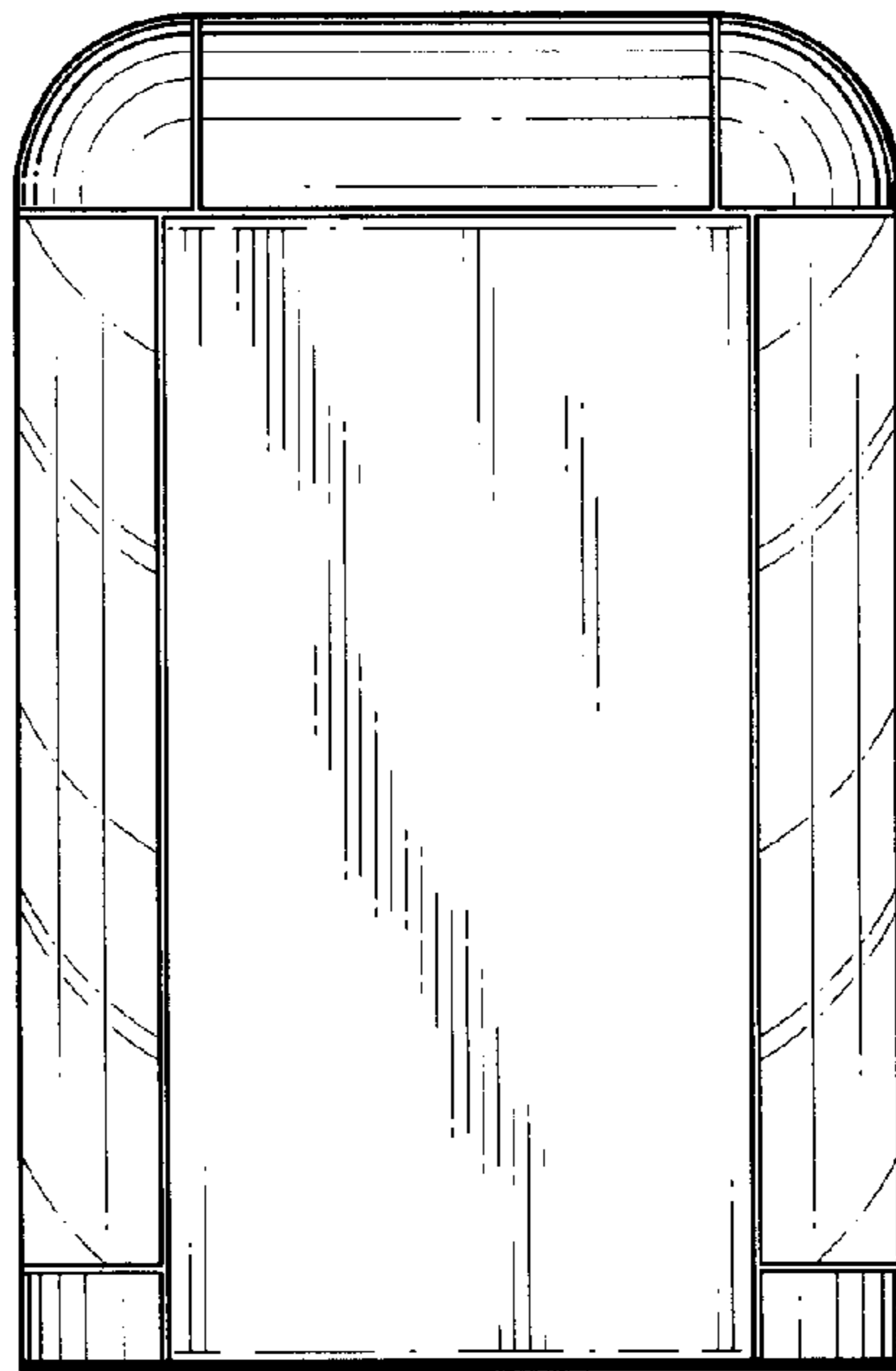


FIG. 5

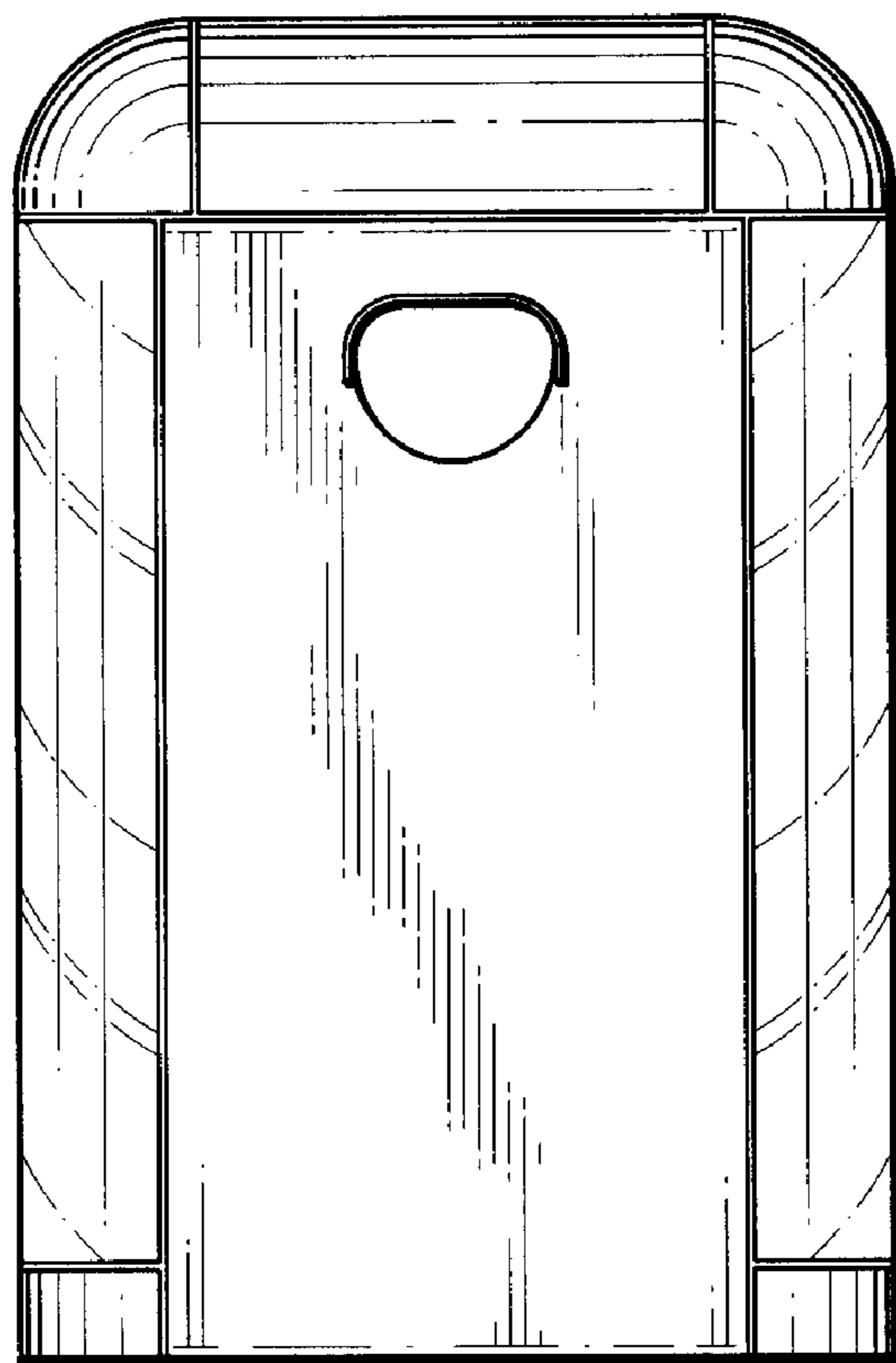


FIG. 6

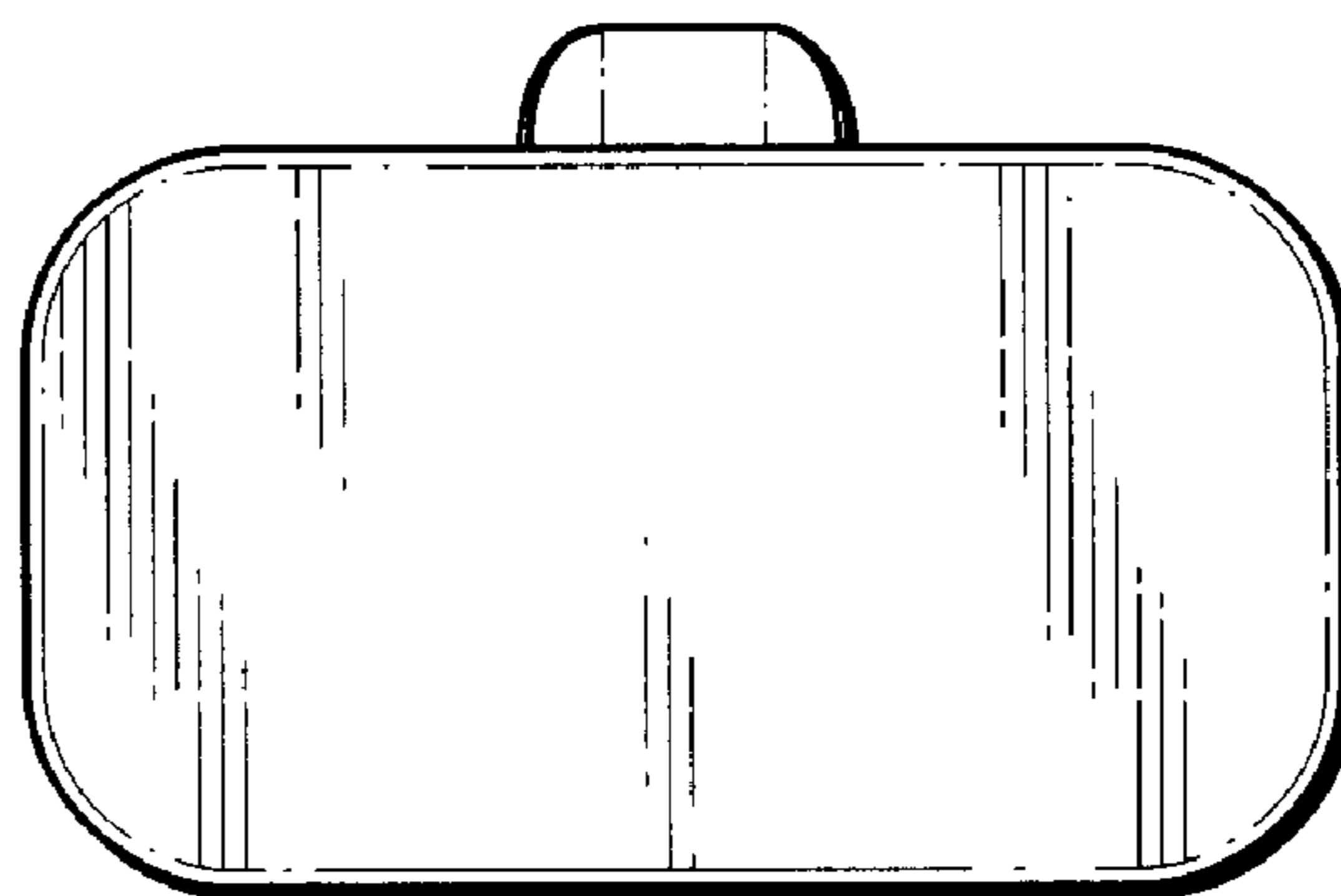


FIG. 7

FIG. 8

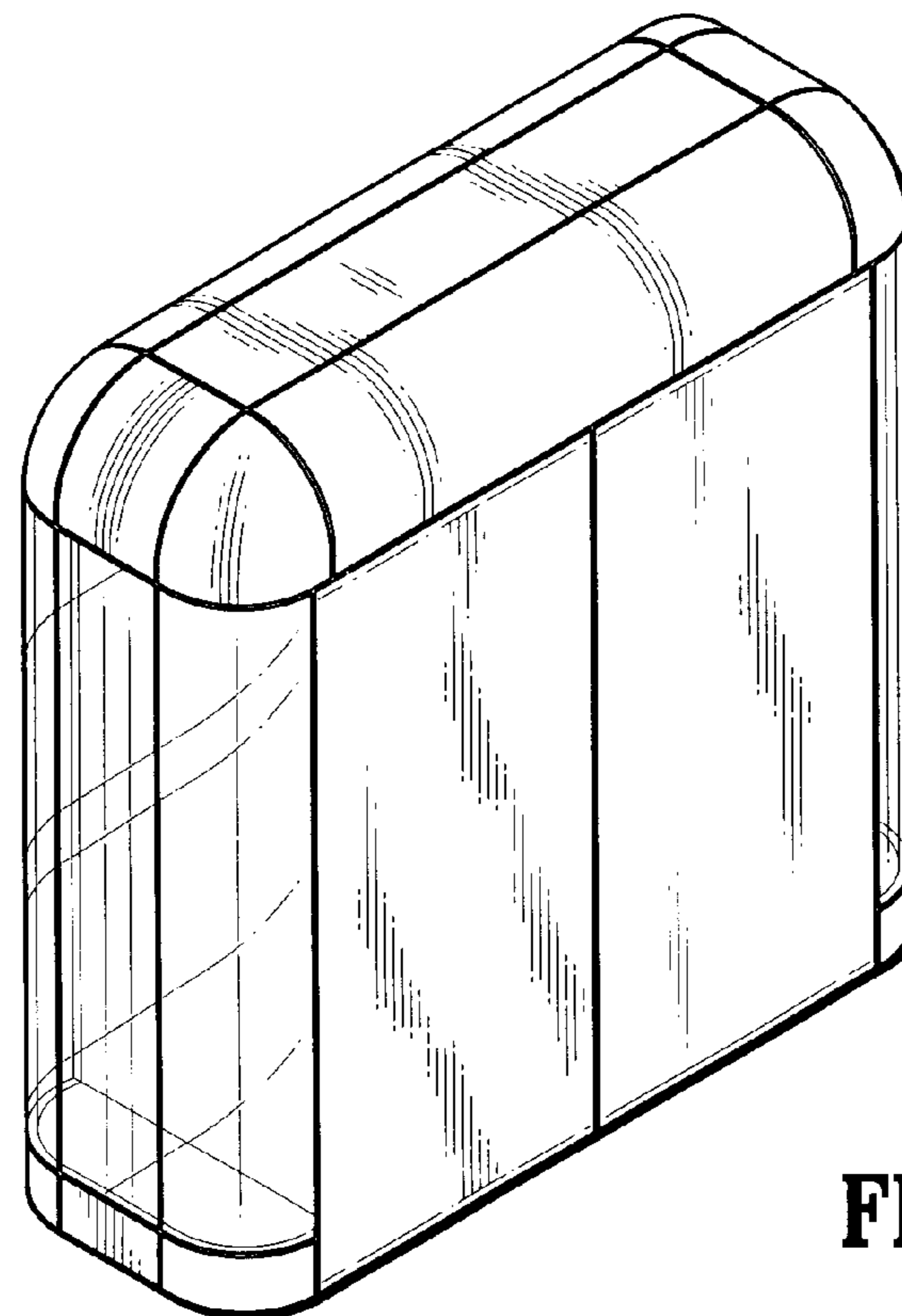
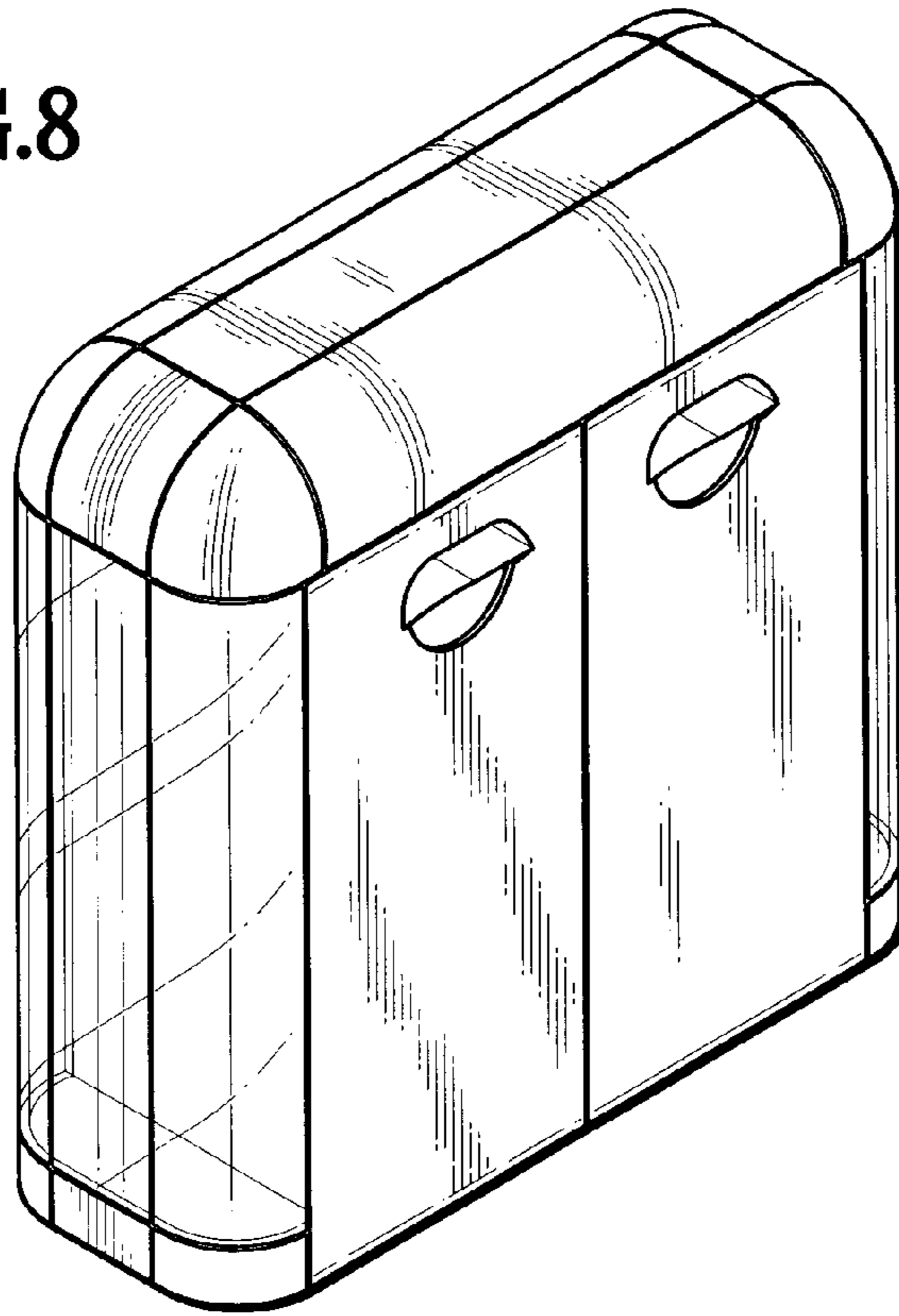


FIG. 9

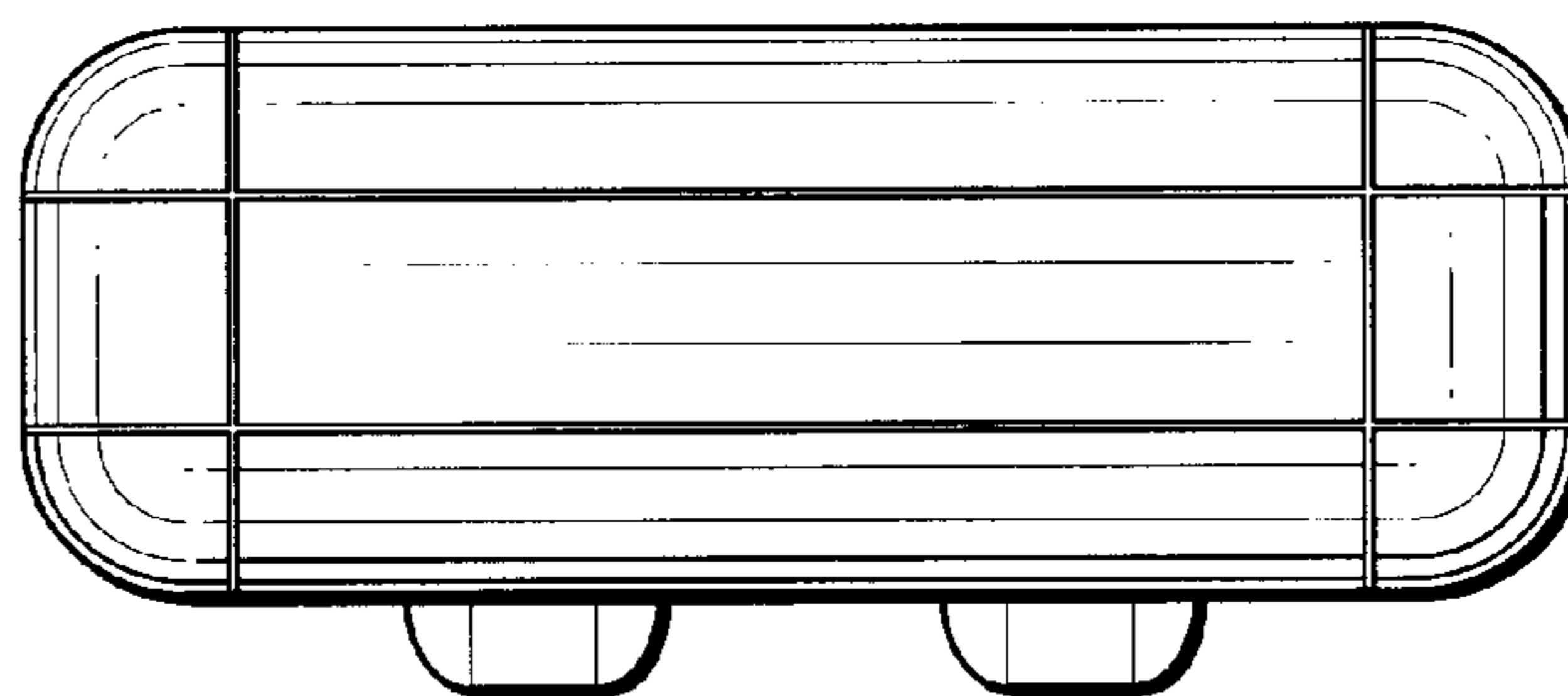


FIG. 10

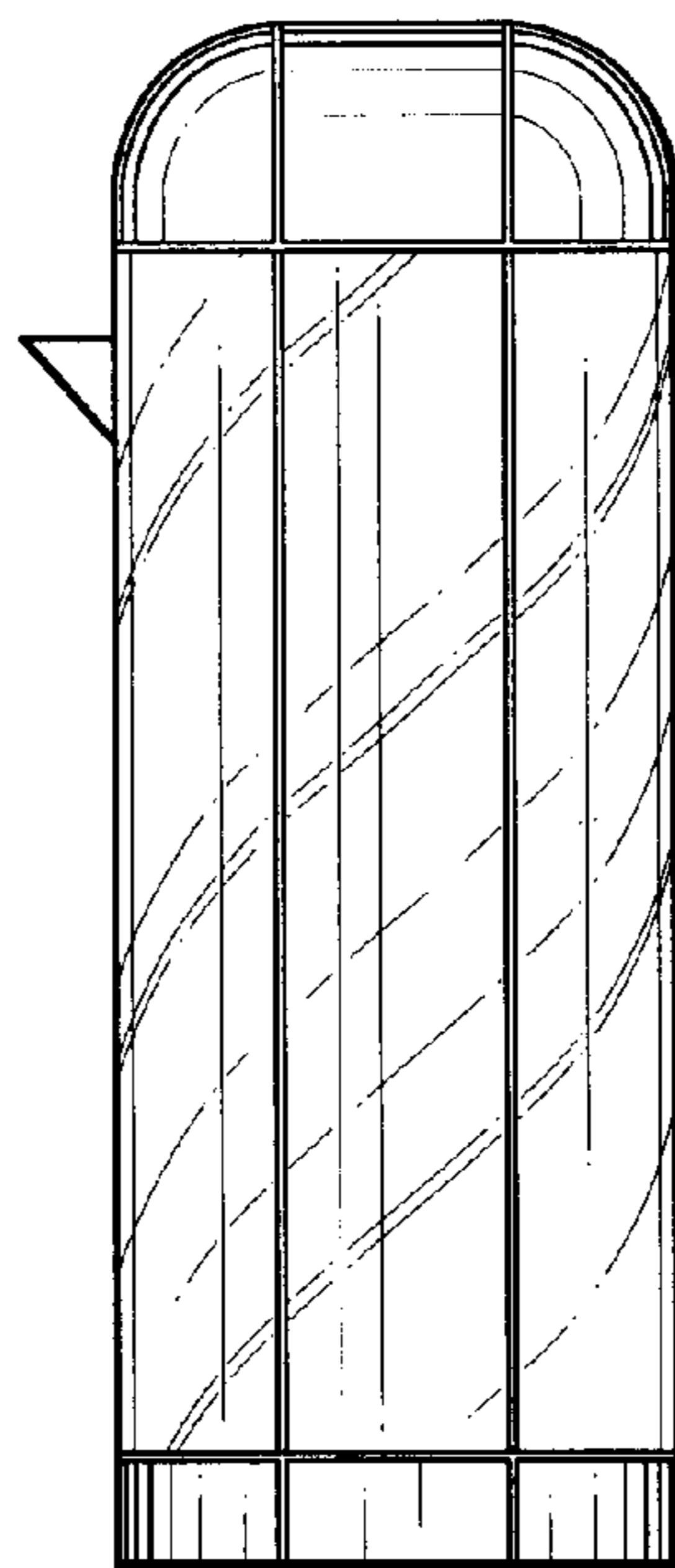


FIG. 11

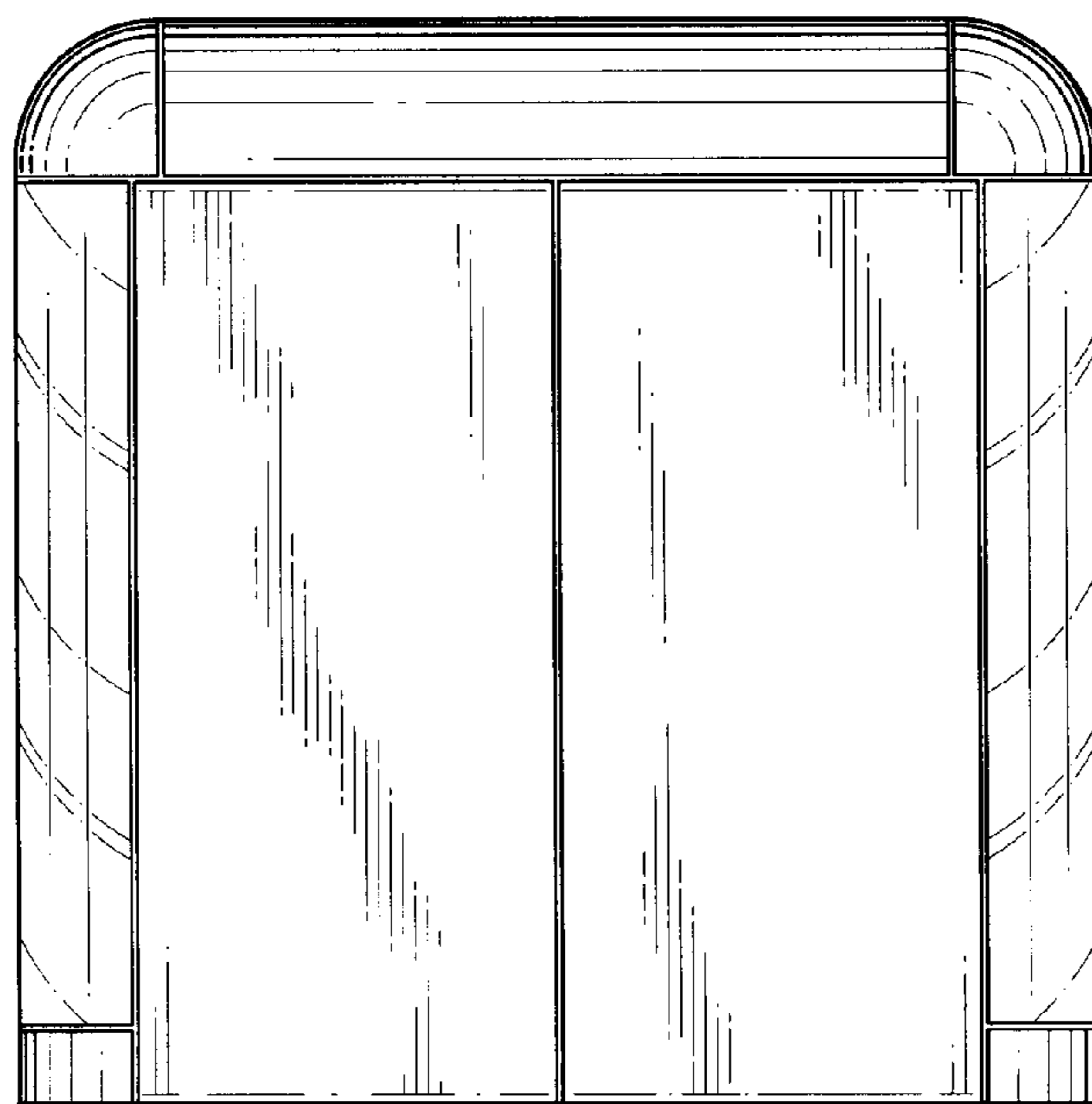


FIG. 12

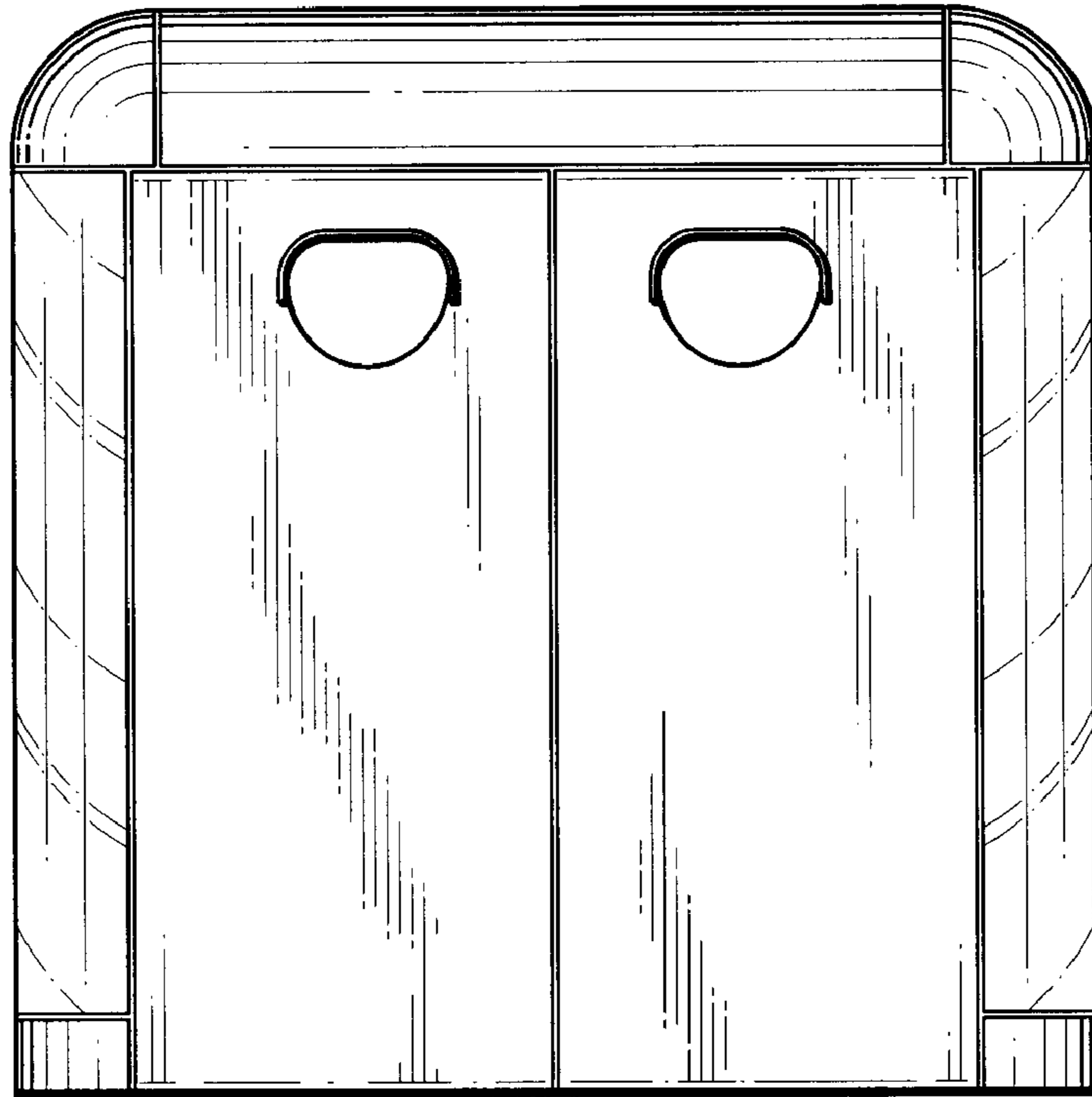


FIG. 13

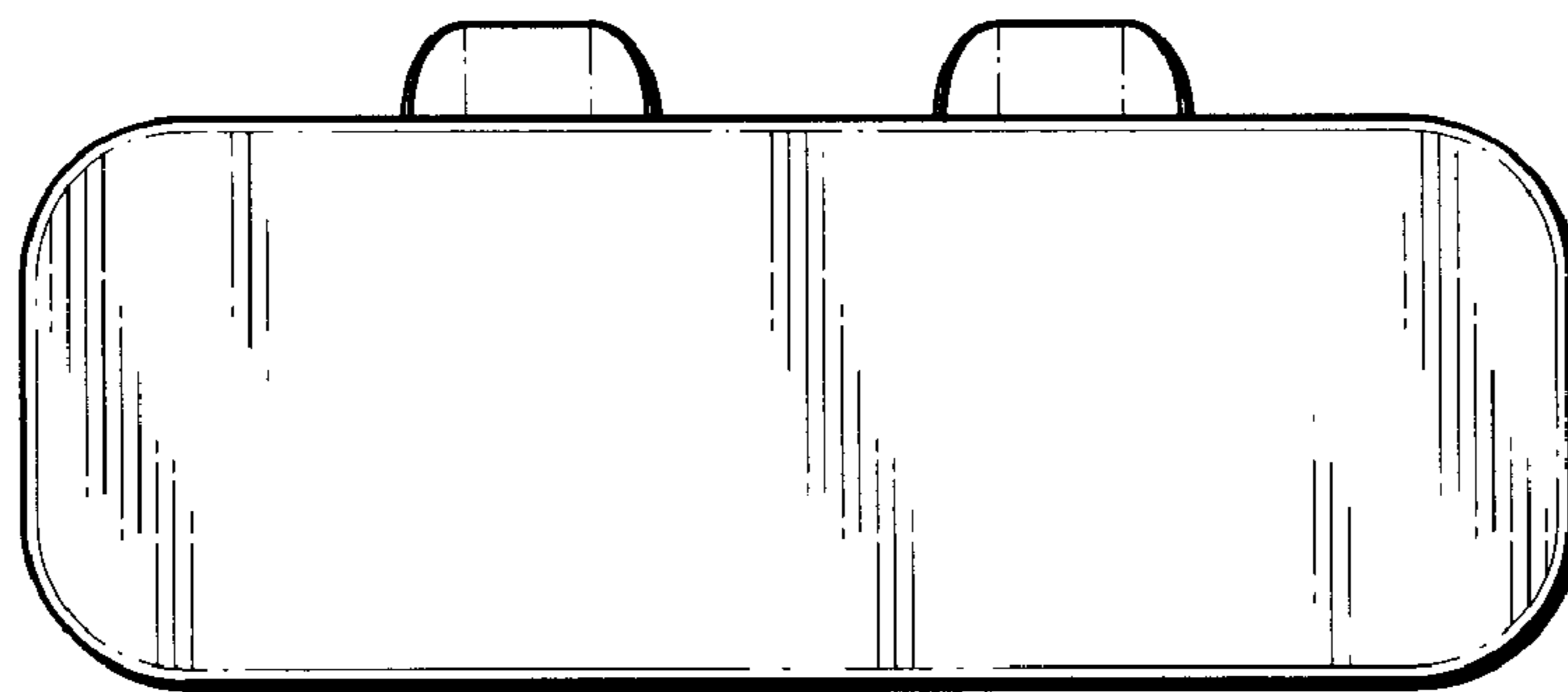


FIG. 14

FIG. 15

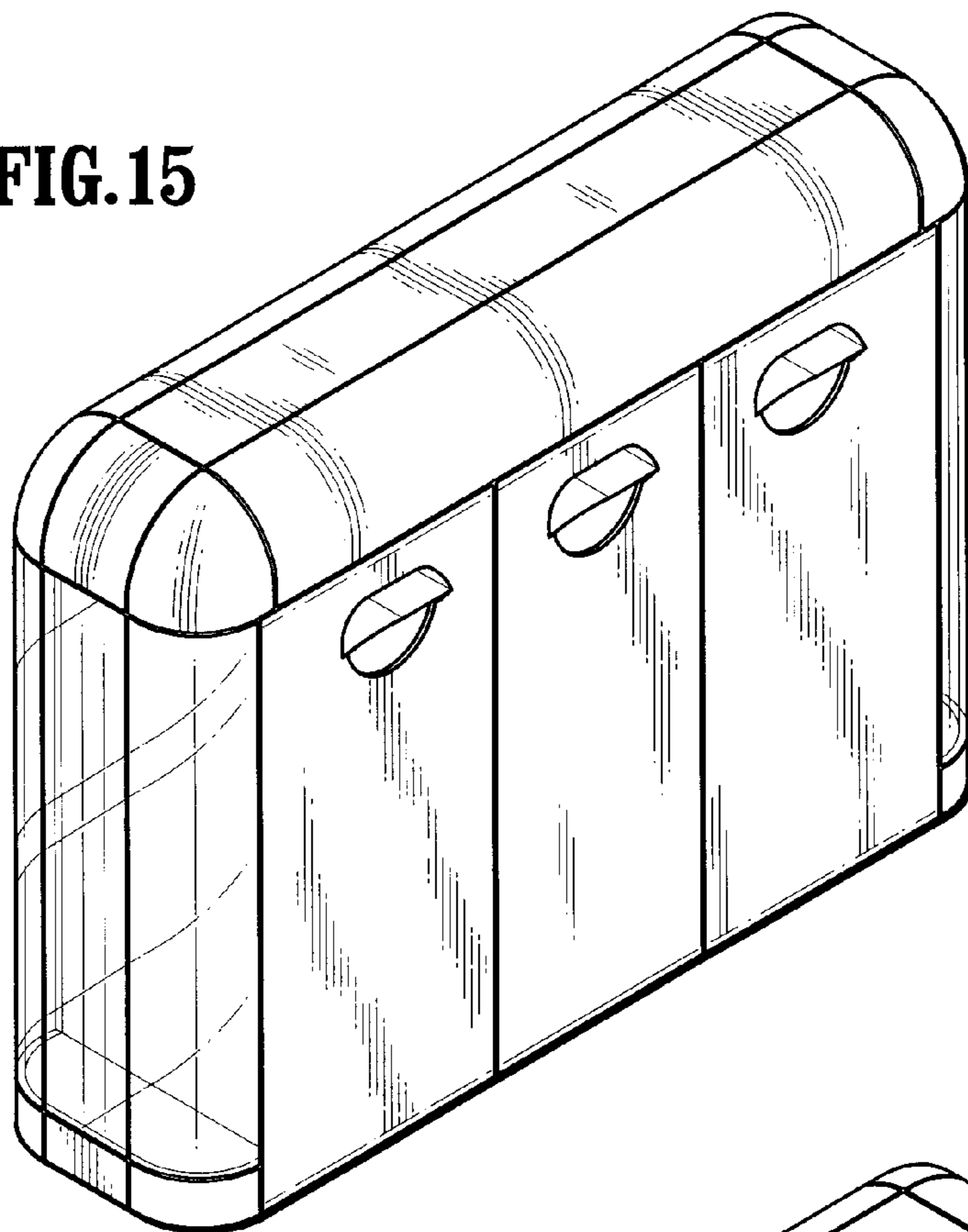
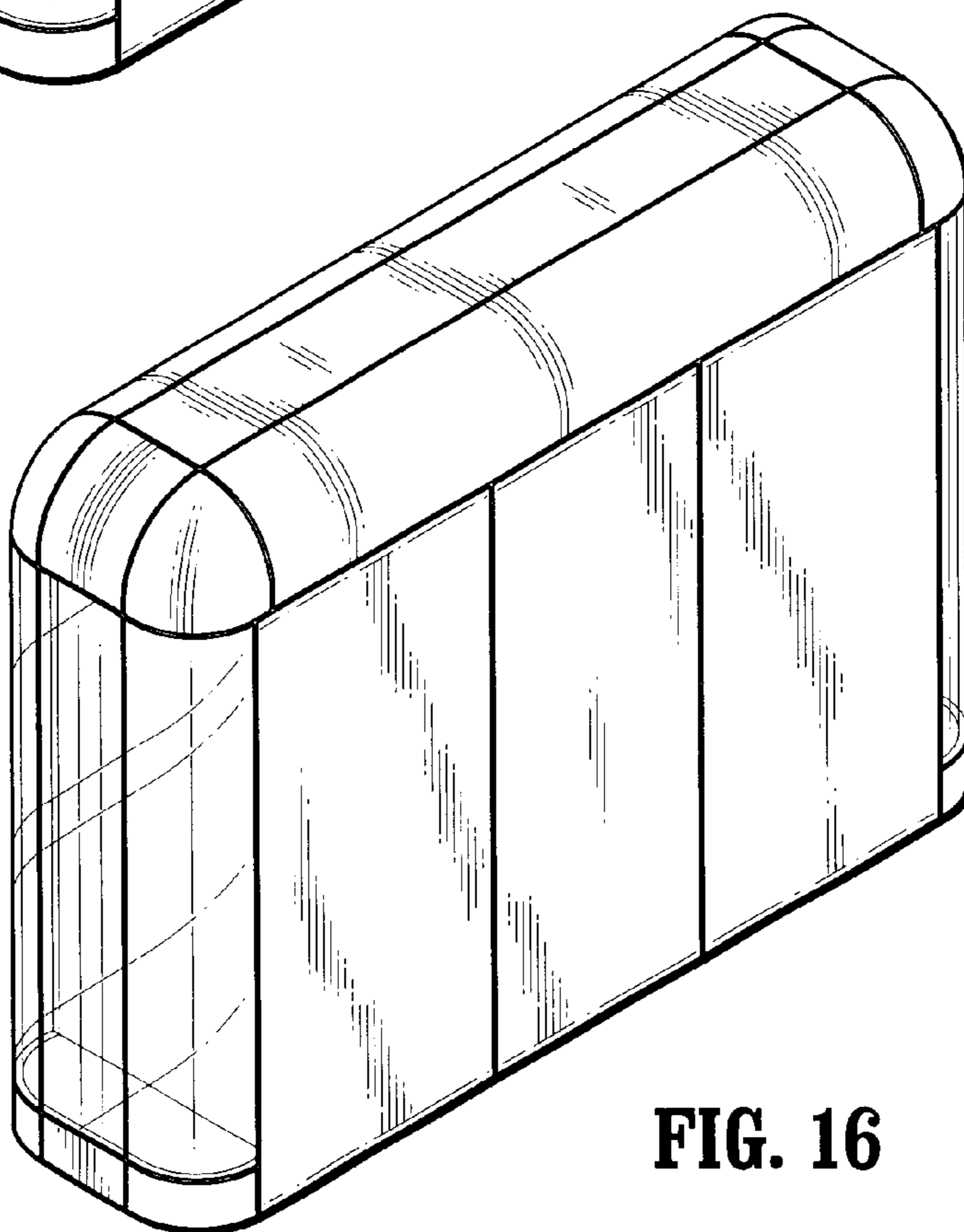


FIG. 16



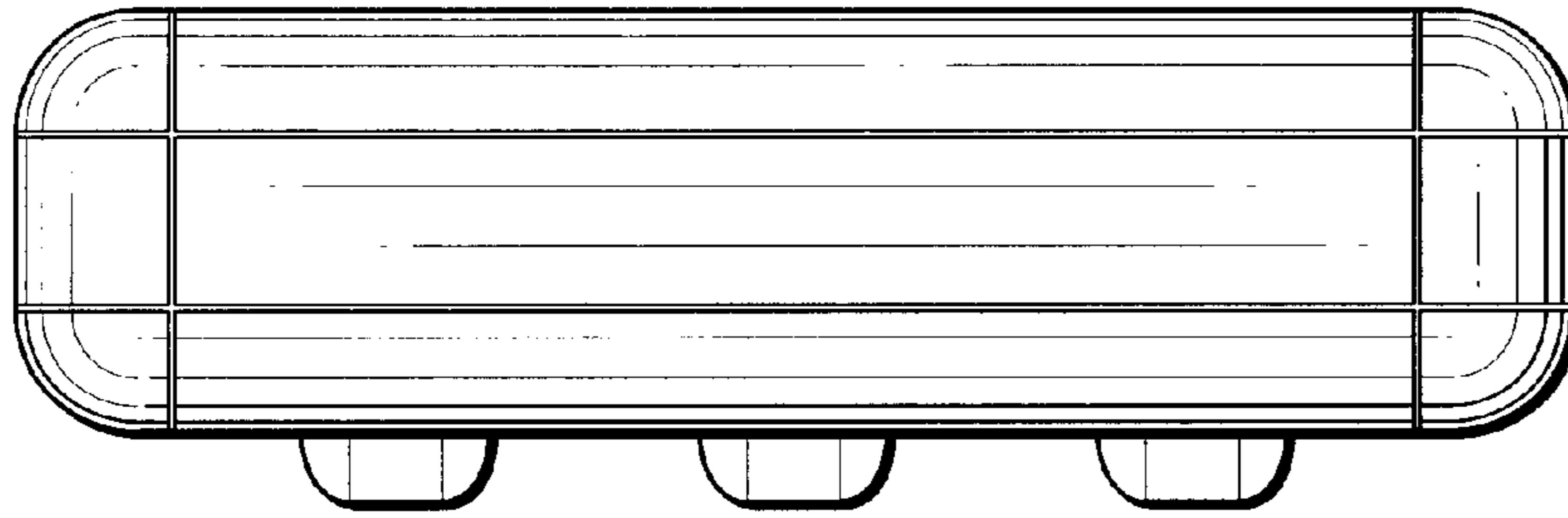


FIG. 17

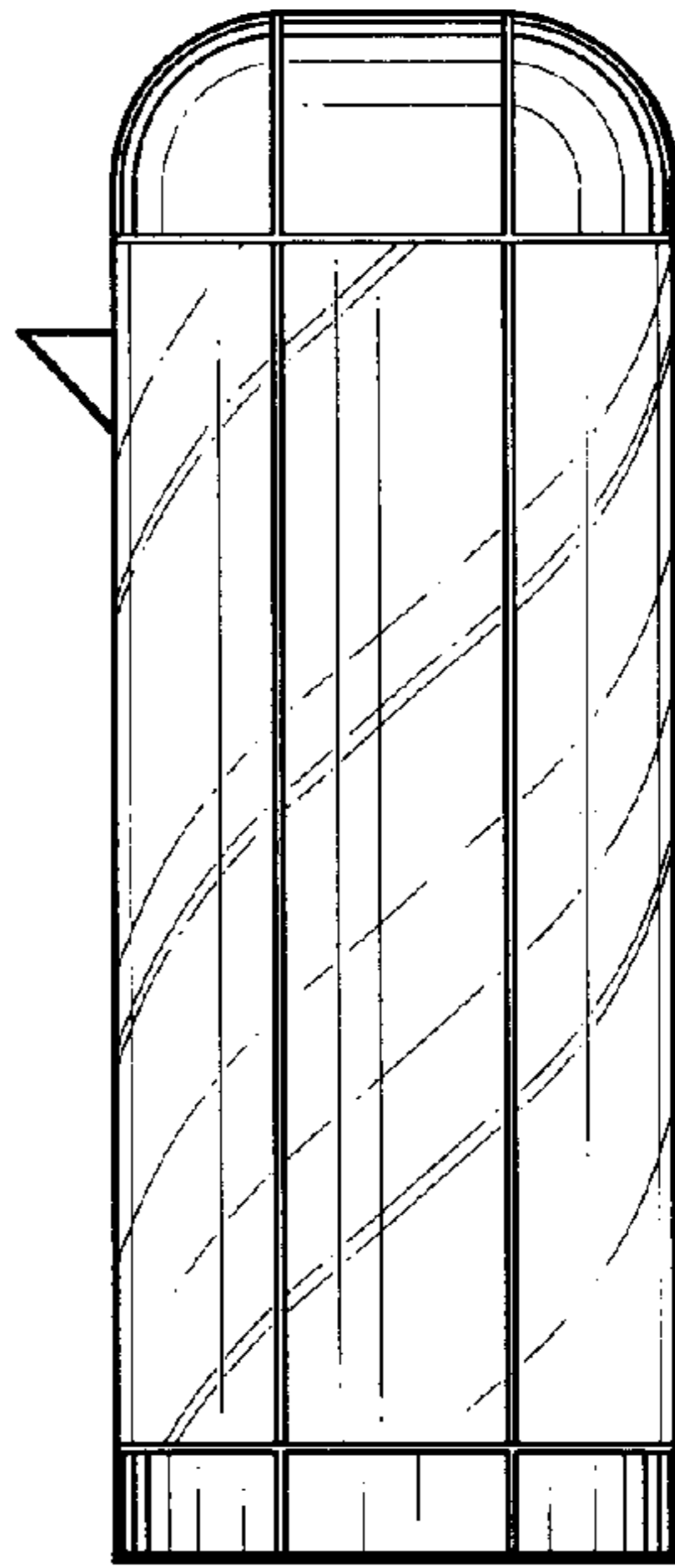


FIG. 18

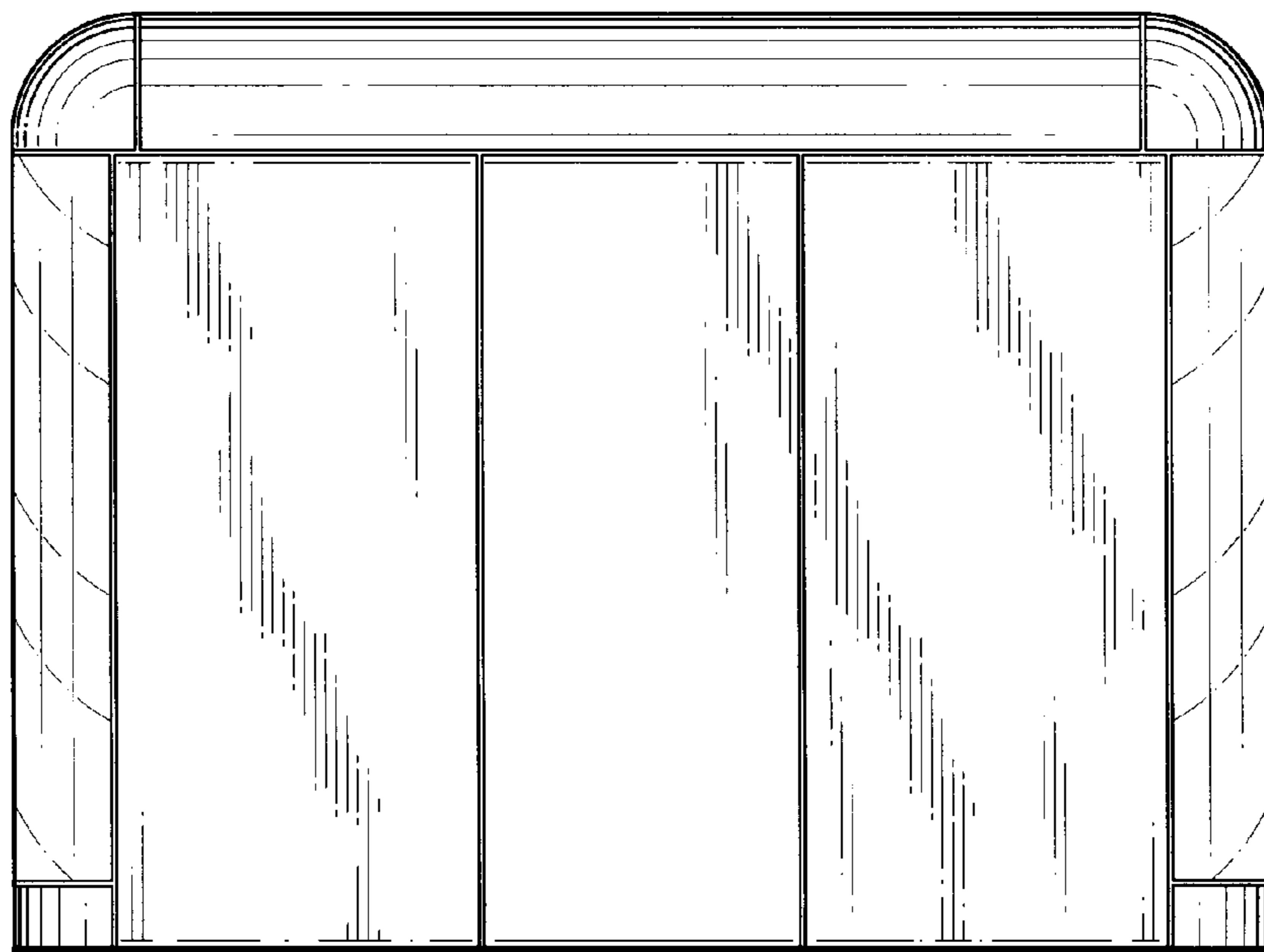


FIG. 19

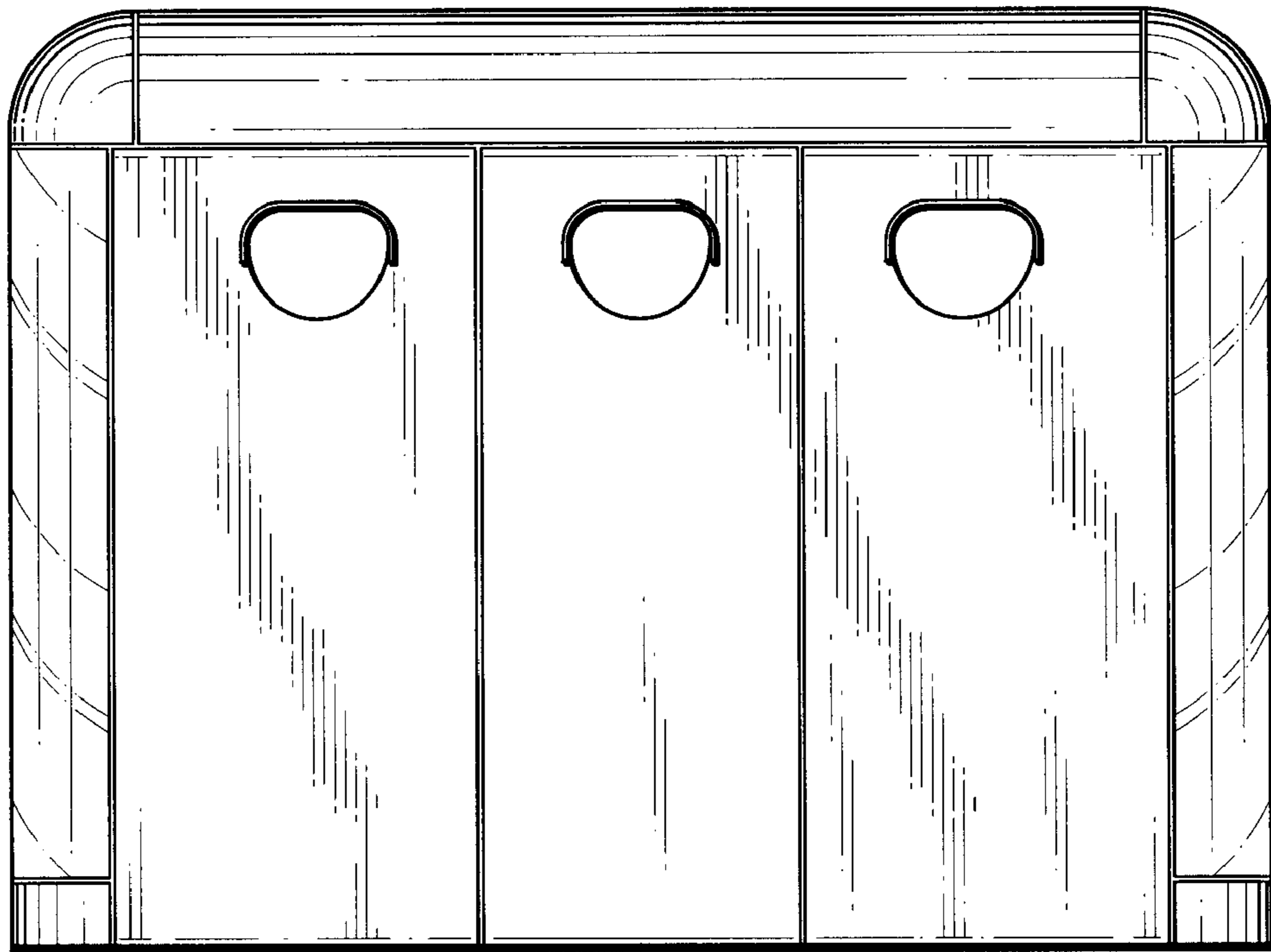


FIG. 20

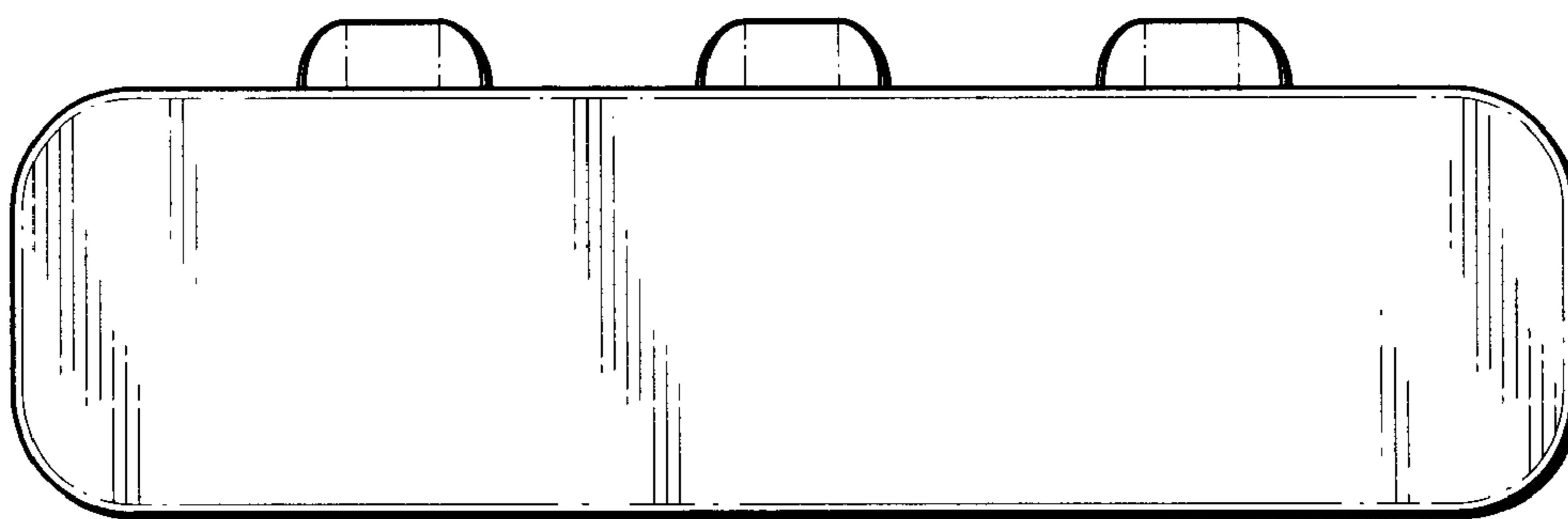


FIG. 21