



US00D523600S

(12) **United States Design Patent**
Diamond et al.

(10) **Patent No.:** **US D523,600 S**
(45) **Date of Patent:** **** Jun. 20, 2006**

(54) **TANK FOR A FLOOR CARE APPLIANCE**
(75) Inventors: **Thomas G. Diamond**, Akron, OH (US); **Kevin E. Scheifele**, Tallmadge, OH (US); **Jeffrey S. Louis**, Green, OH (US); **Jeffrey A. Morgan**, Cuyahoga Falls, OH (US); **Ryan R. Berger**, Columbus, OH (US); **Ryan S. Crisp**, Lewis Center, OH (US); **Jeffrey T. DeBord**, Worthington, OH (US); **Douglas G. Schaefer**, Columbus, OH (US); **Oren Shai**, Westerville, OH (US)

D358,241 S * 5/1995 Bradd D32/22
D361,180 S * 8/1995 Van Der Zwan et al. D32/30
D365,179 S * 12/1995 Bradd D32/31
D439,381 S * 3/2001 Saunders et al. D32/31
D446,614 S * 8/2001 Alford et al. D32/30
D460,229 S * 7/2002 Zahuranec et al. D32/31
D506,584 S * 6/2005 Whittaker D32/25

* cited by examiner

Primary Examiner—Louis S. Zarfaz
Assistant Examiner—Kathleen Sims
(74) *Attorney, Agent, or Firm*—A. Burgess Lowe; Michael J. Corrigan

(73) Assignee: **The Hoover Company**, North Canton, OH (US)

(57) **CLAIM**

(**) Term: **14 Years**

The ornamental design of tank for a floor care appliance, as shown and described.

(21) Appl. No.: **29/215,050**

DESCRIPTION

(22) Filed: **Oct. 13, 2004**

(51) **LOC (8) Cl.** **15-05**

(52) **U.S. Cl.** **D32/25**

(58) **Field of Classification Search** D32/25,
D32/32, 15, 17, 30, 16, 19, 33, 34, 18, 21,
D32/22, 31, 23, 24; 15/321, 323, 353
See application file for complete search history.

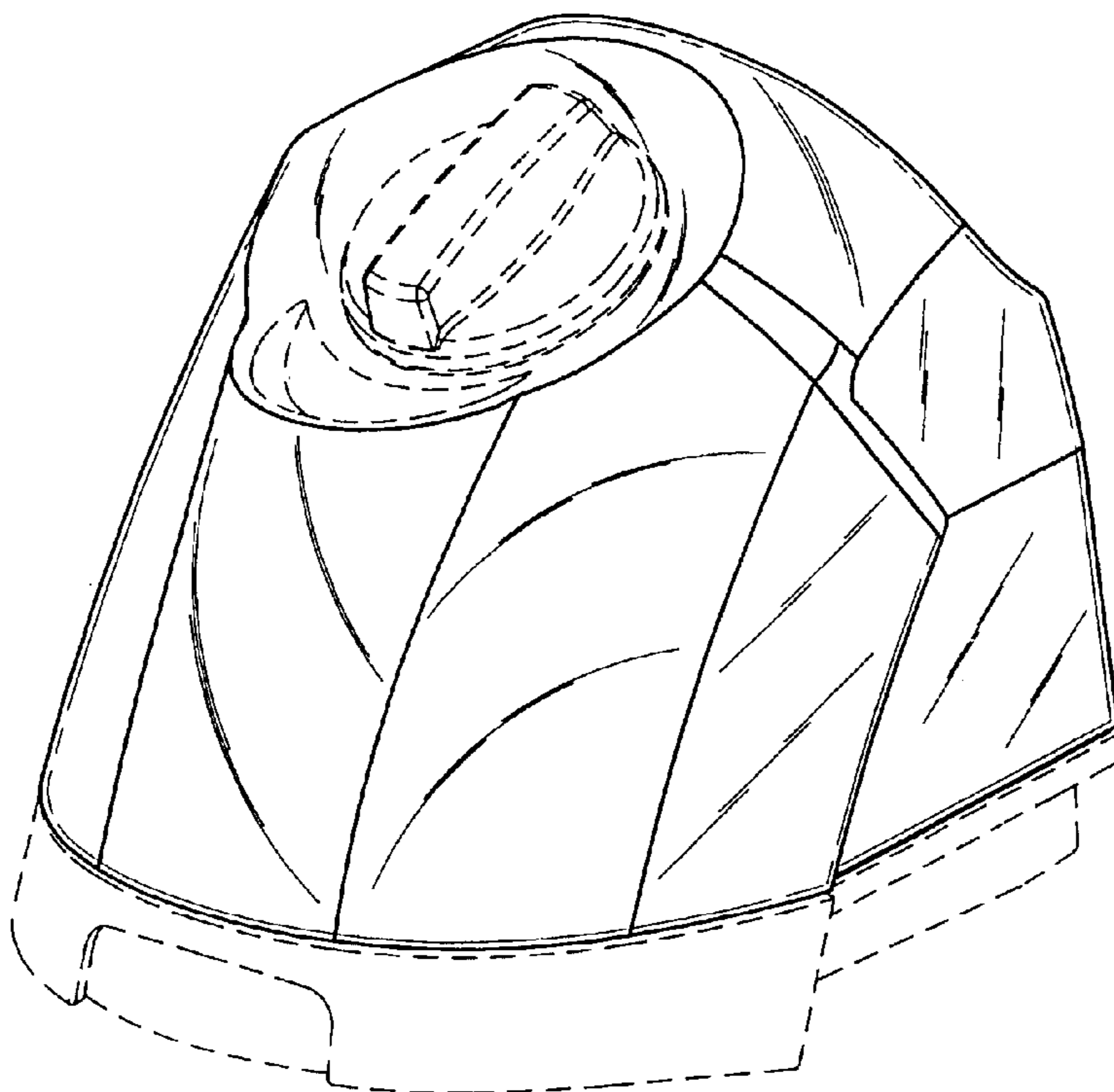
FIG. 1 is a front elevational view of a tank in the installed position in a floor care appliance shown in dashed lines showing our new design;
FIG. 2 is a front perspective view of a tank for a floor care appliance;
FIG. 3 is a top view thereof;
FIG. 4 is a front view thereof;
FIG. 5 is a left side view thereof; and,
FIG. 6 is a rear view thereof.
The portion of the drawing shown in dashed lines is for illustrative purposes only.

(56) **References Cited**

U.S. PATENT DOCUMENTS

226,228 A * 4/1880 Symensma 417/107

1 Claim, 4 Drawing Sheets



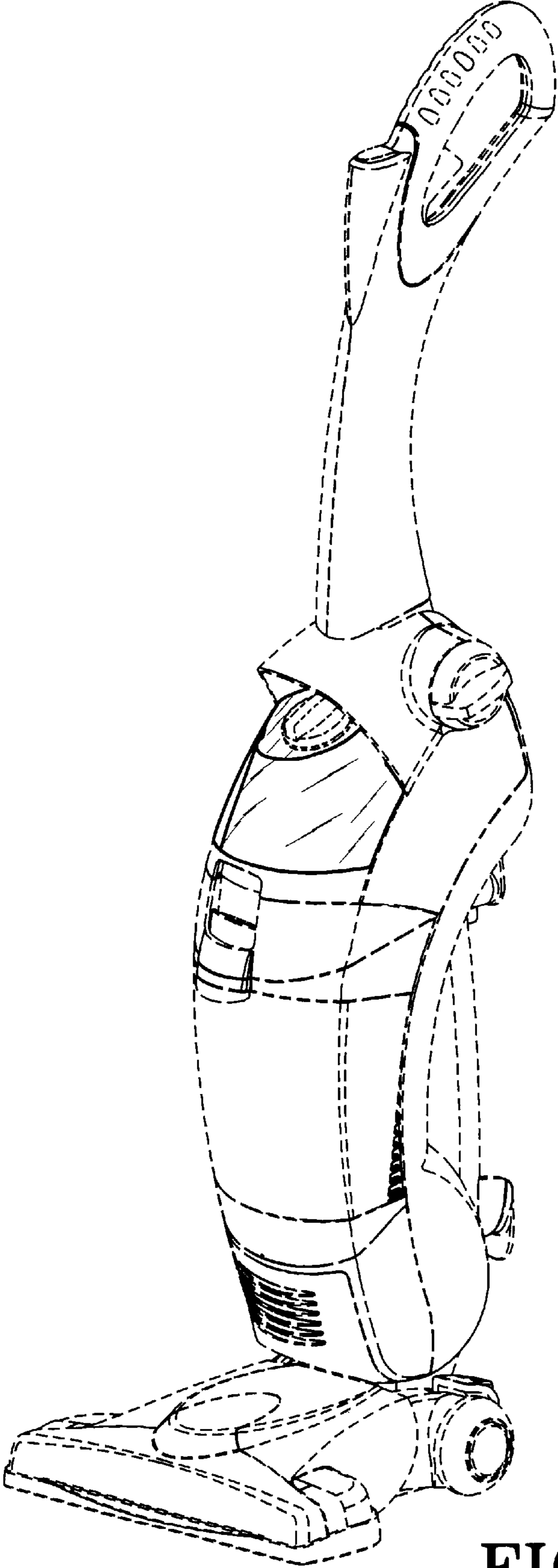


FIG-1

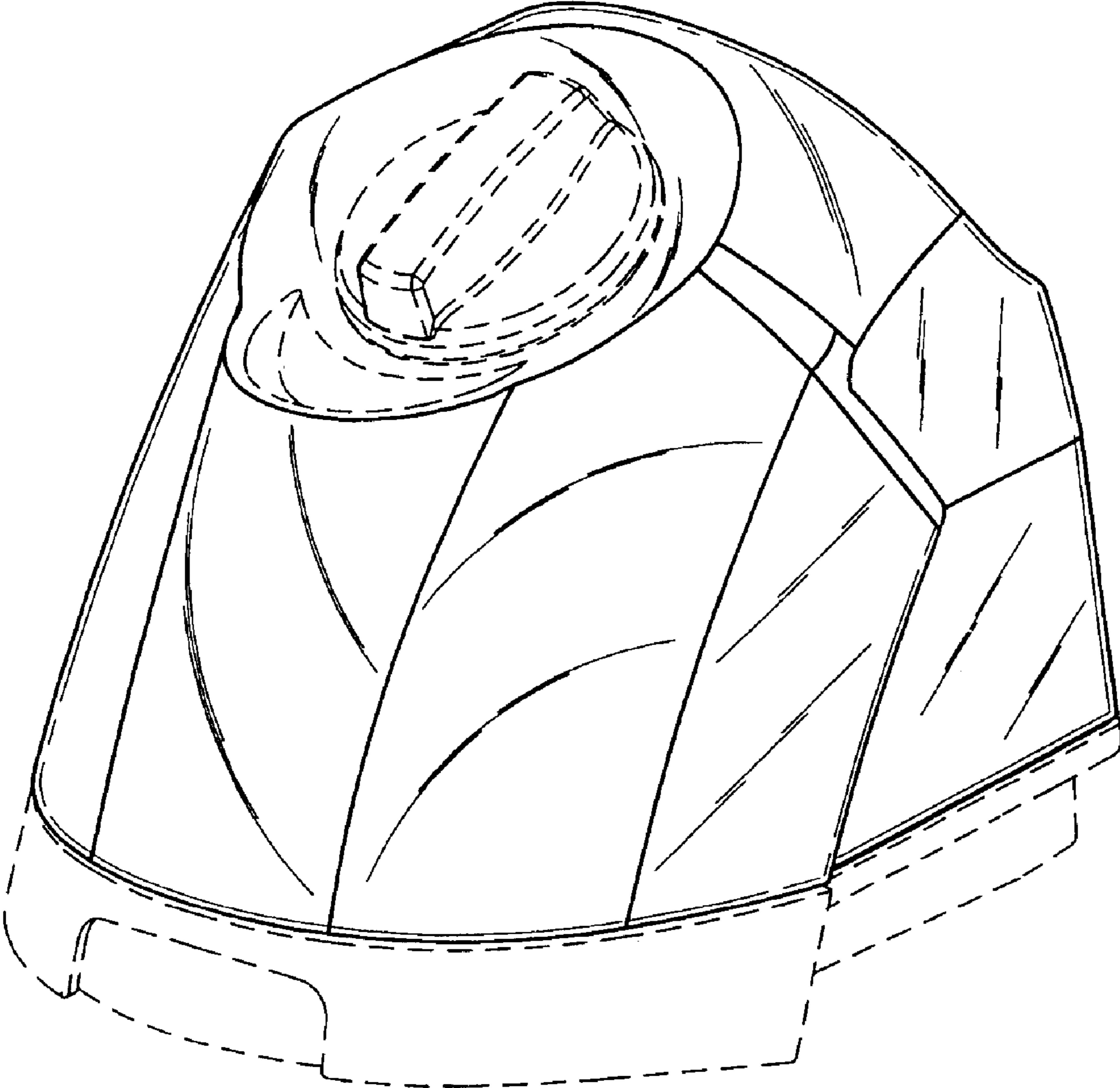


FIG-2

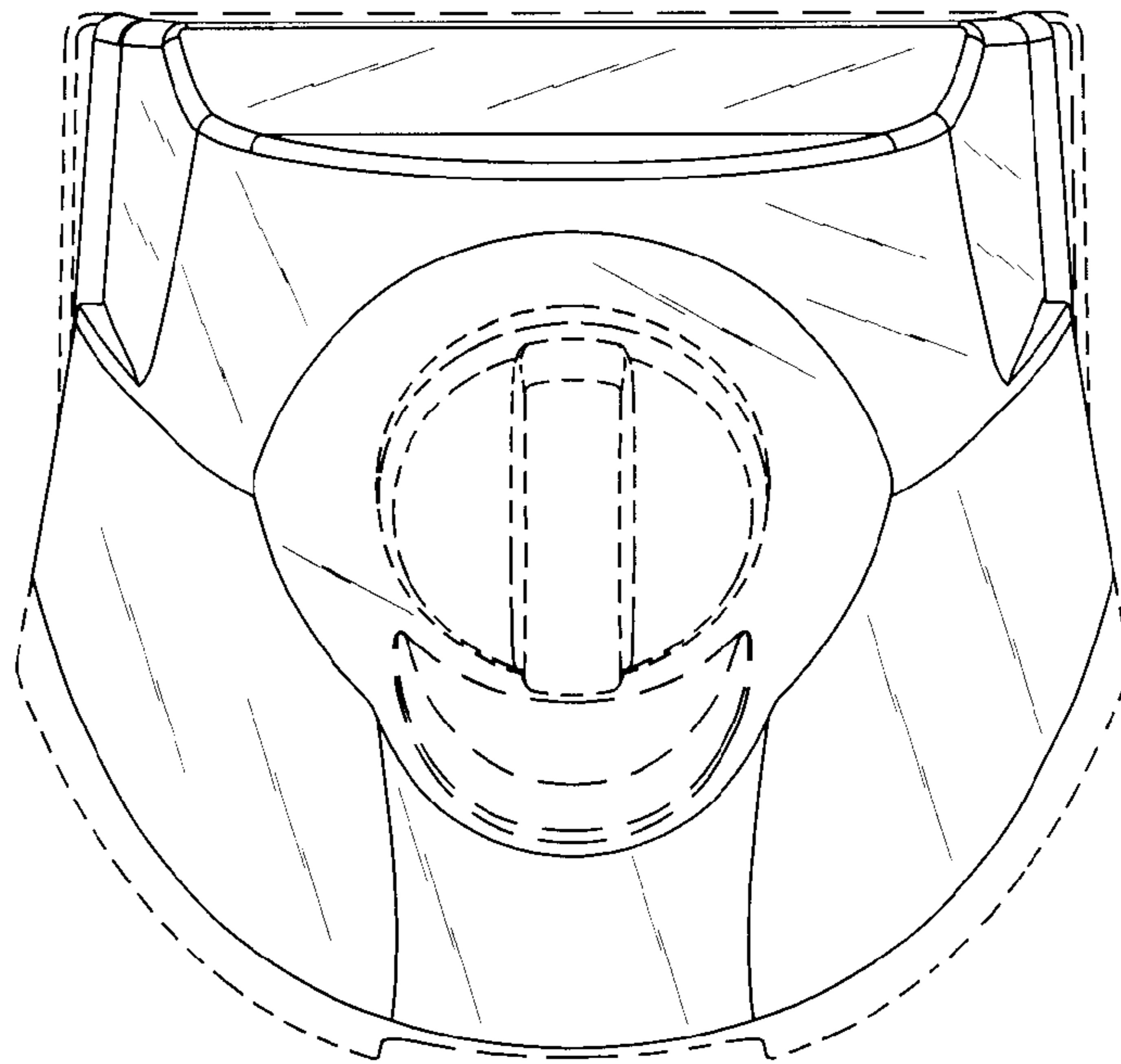


FIG-3

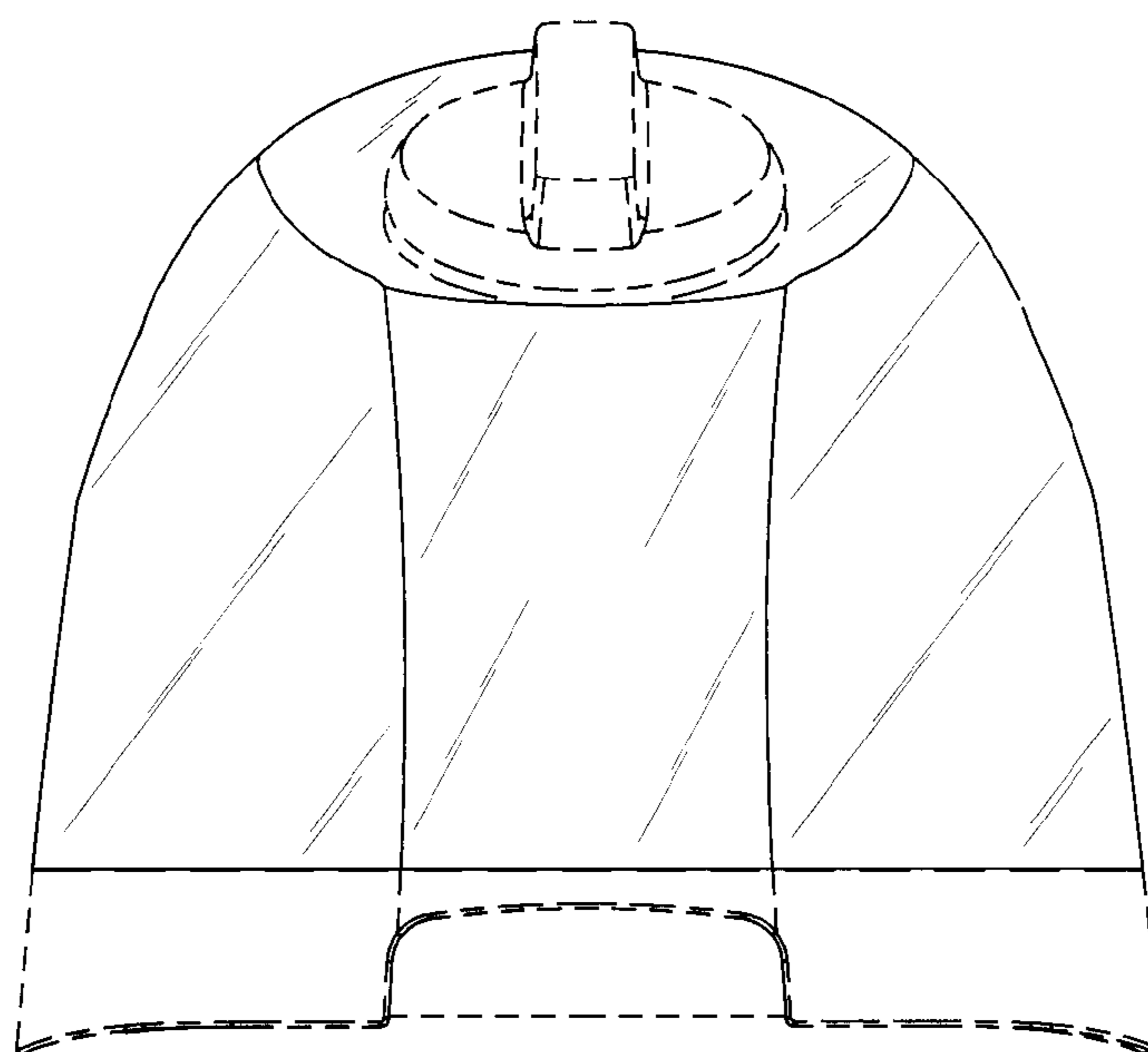


FIG-4

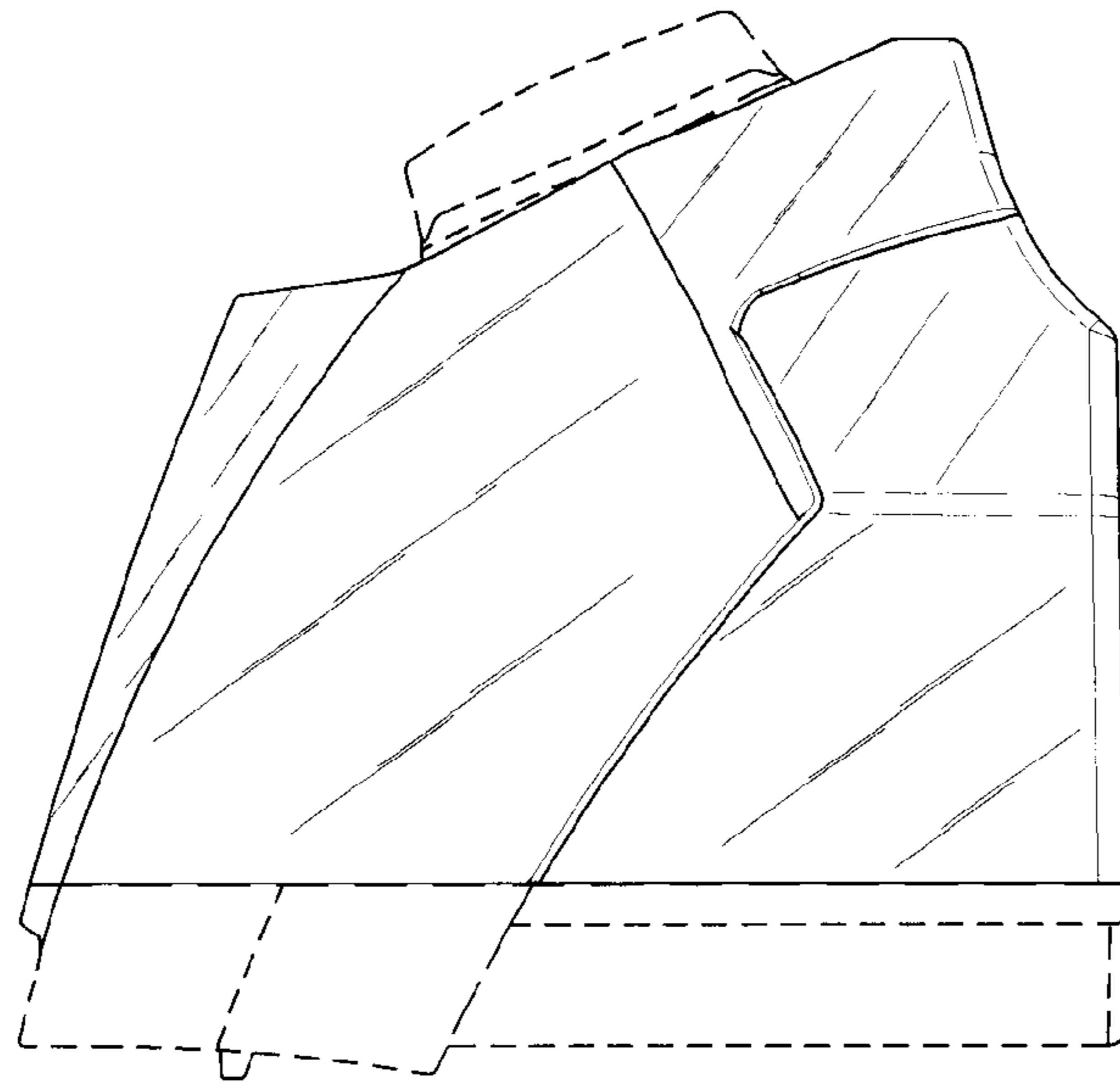


FIG-5

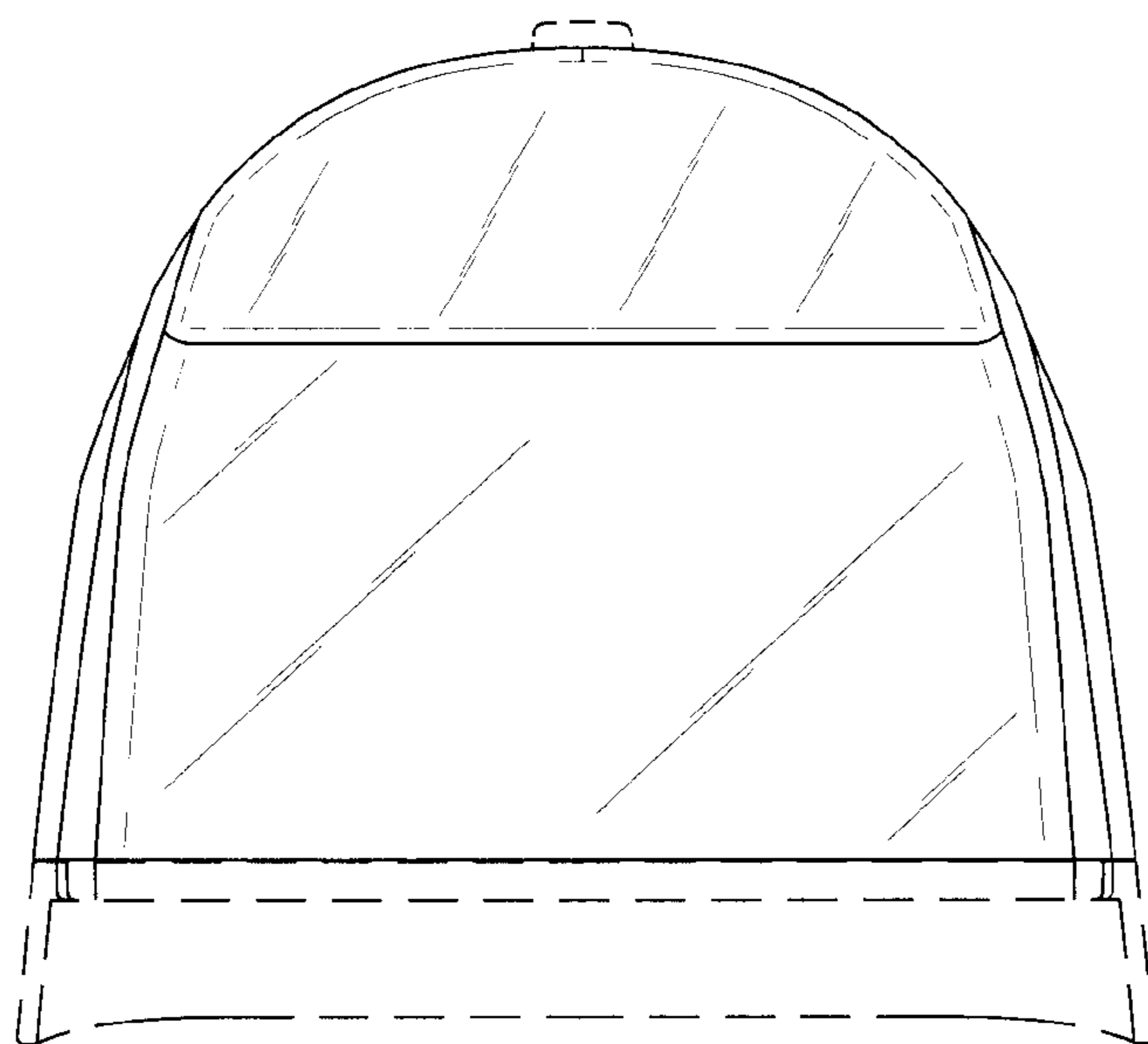


FIG-6