

US00D523593S

(12) **United States Design Patent**  
**Wang**

(10) **Patent No.:** **US D523,593 S**

(45) **Date of Patent:** **\*\* Jun. 20, 2006**

(54) **PET TOY**

(75) **Inventor:** **Yueh Yu Wang**, Kowloon (HK)

(73) **Assignee:** **Topet International Co., Limited**,  
Hong-Kong (HK)

(\*\*) **Term:** **14 Years**

(21) **Appl. No.:** **29/227,453**

(22) **Filed:** **Apr. 12, 2005**

(51) **LOC (8) Cl.** ..... **30-99**

(52) **U.S. Cl.** ..... **D30/160**

(58) **Field of Classification Search** ..... D30/160;  
D1/106, 125-128, 199; D21/685, 406-408,  
D21/476, 483, 662, 681-682, 707, 713, 708,  
D21/711, 714, 623; D24/211-212, 194, 195;  
119/702-703, 706-711; 473/575-576, 579-580,  
473/596; 601/118, 120-121  
See application file for complete search history.

(56) **References Cited**

**U.S. PATENT DOCUMENTS**

D60,947 S \* 5/1922 Patrich ..... D24/194  
D200,382 S \* 2/1965 Smith ..... D24/194

D200,618 S \* 3/1965 Proctor ..... D24/194  
D291,341 S \* 8/1987 Keating et al. .... D24/211  
D407,869 S \* 4/1999 Wang ..... D30/160  
D431,865 S \* 10/2000 Norton et al. .... D24/143  
D469,484 S \* 1/2003 Dawson ..... D21/662  
D497,396 S \* 10/2004 Wechsler ..... D21/398  
D505,524 S \* 5/2005 DeAngelis ..... D30/160

\* cited by examiner

*Primary Examiner*—Cathy Anne MacCormac

(74) *Attorney, Agent, or Firm*—Marsh Fischmann &  
Breyfogle LLP

(57) **CLAIM**

The ornamental design for a pet toy, as shown and described.

**DESCRIPTION**

FIG. 1 is a perspective view of the pet toy;  
FIG. 2 is a front elevational view of the pet toy;  
FIG. 3 is a rear elevational view of the pet toy;  
FIG. 4 is an elevational view of one side of the pet toy;  
FIG. 5 is an elevational view of another side of the pet toy;  
FIG. 6 is a top plan view of the pet toy; and,  
FIG. 7 is a bottom view of the pet toy.

**1 Claim, 4 Drawing Sheets**

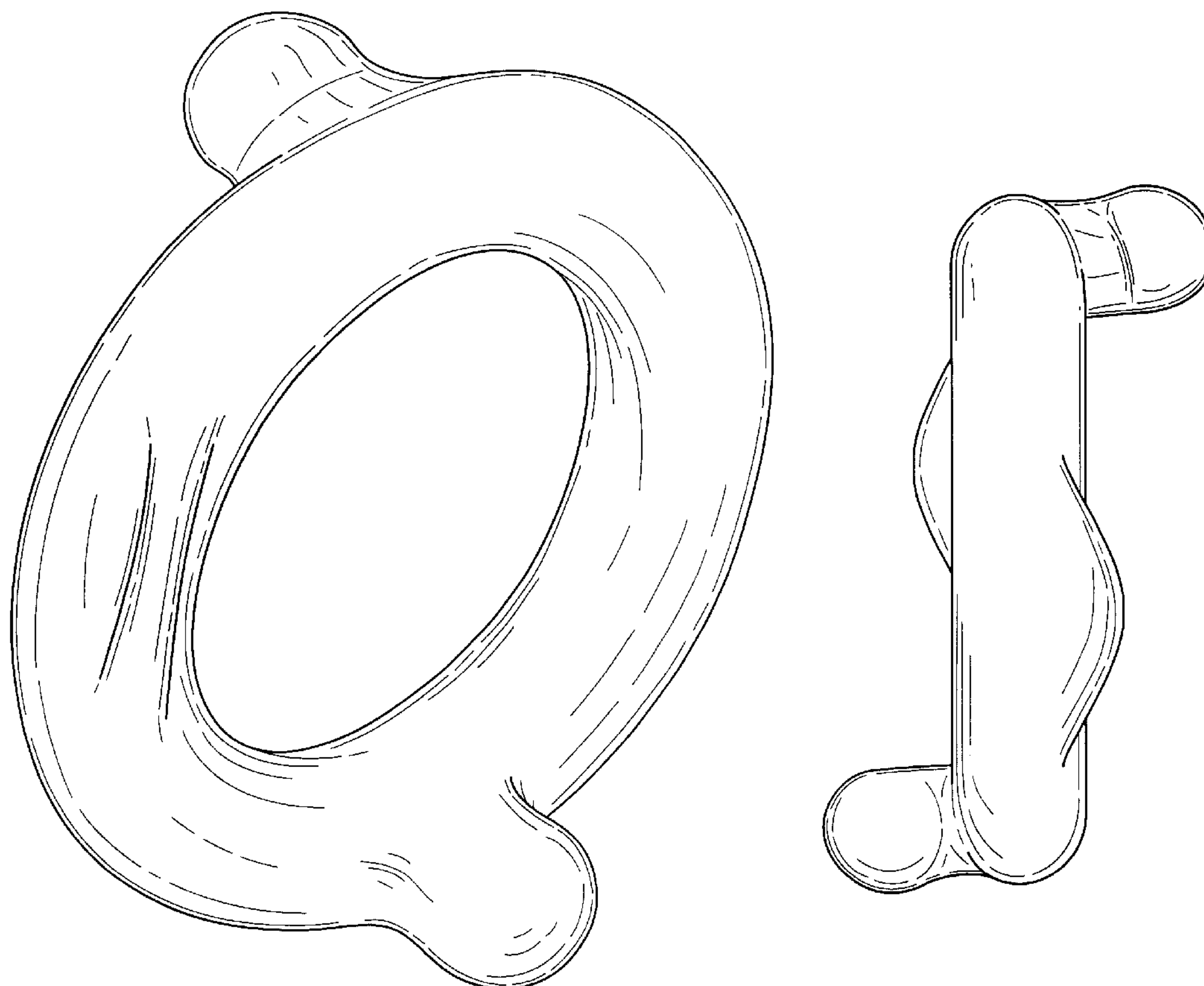




FIG.1

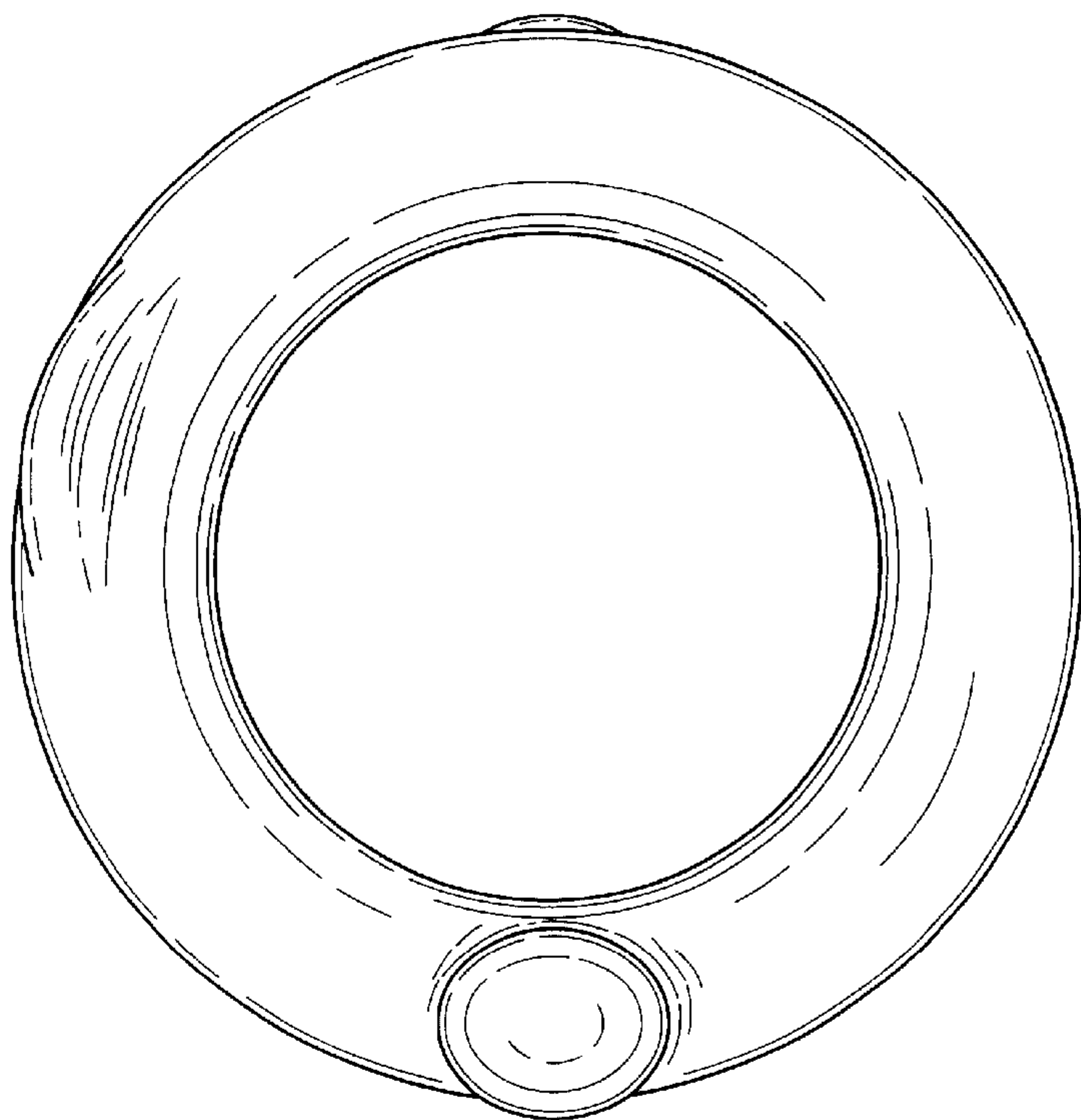


FIG.2

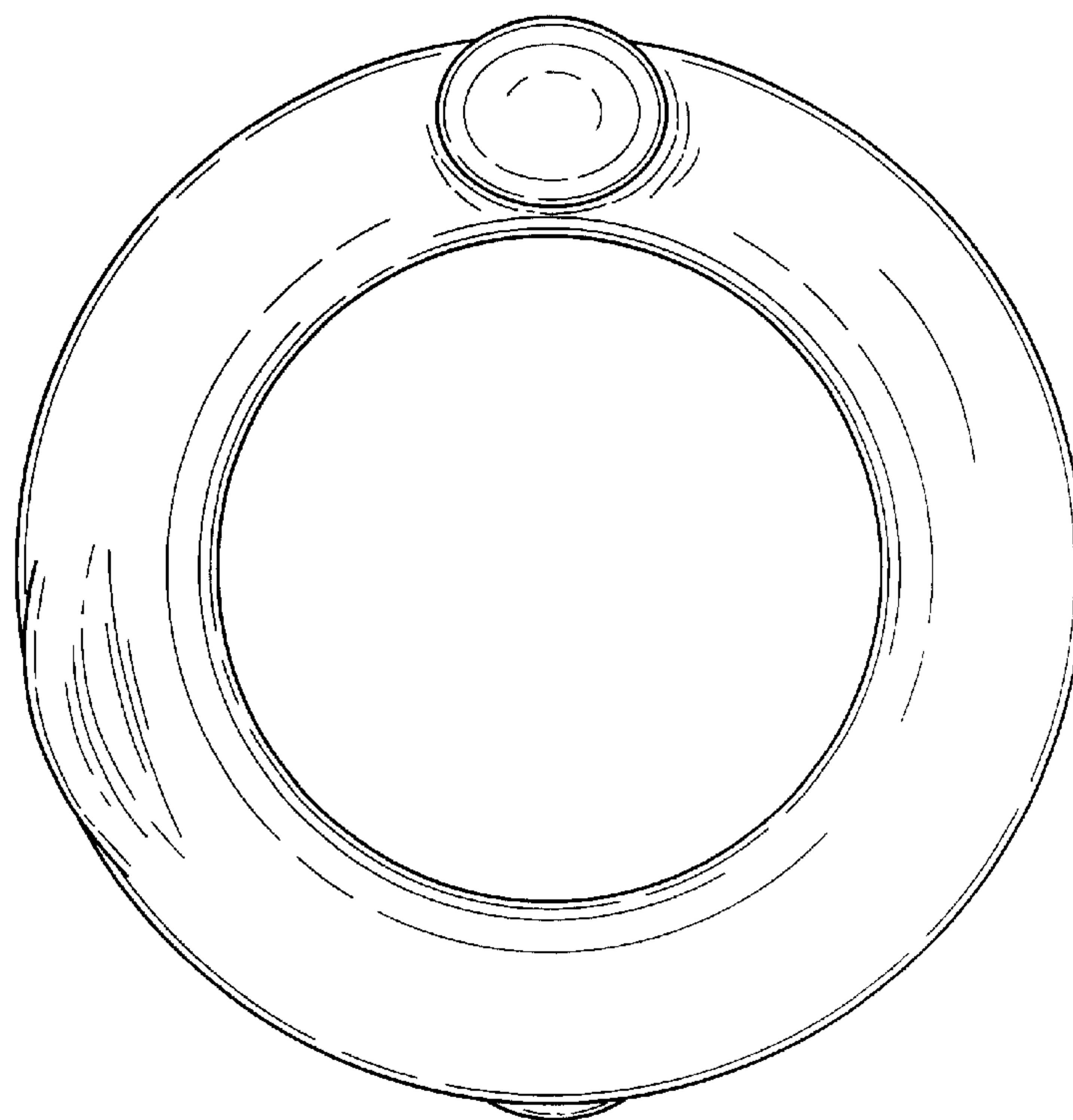


FIG.3

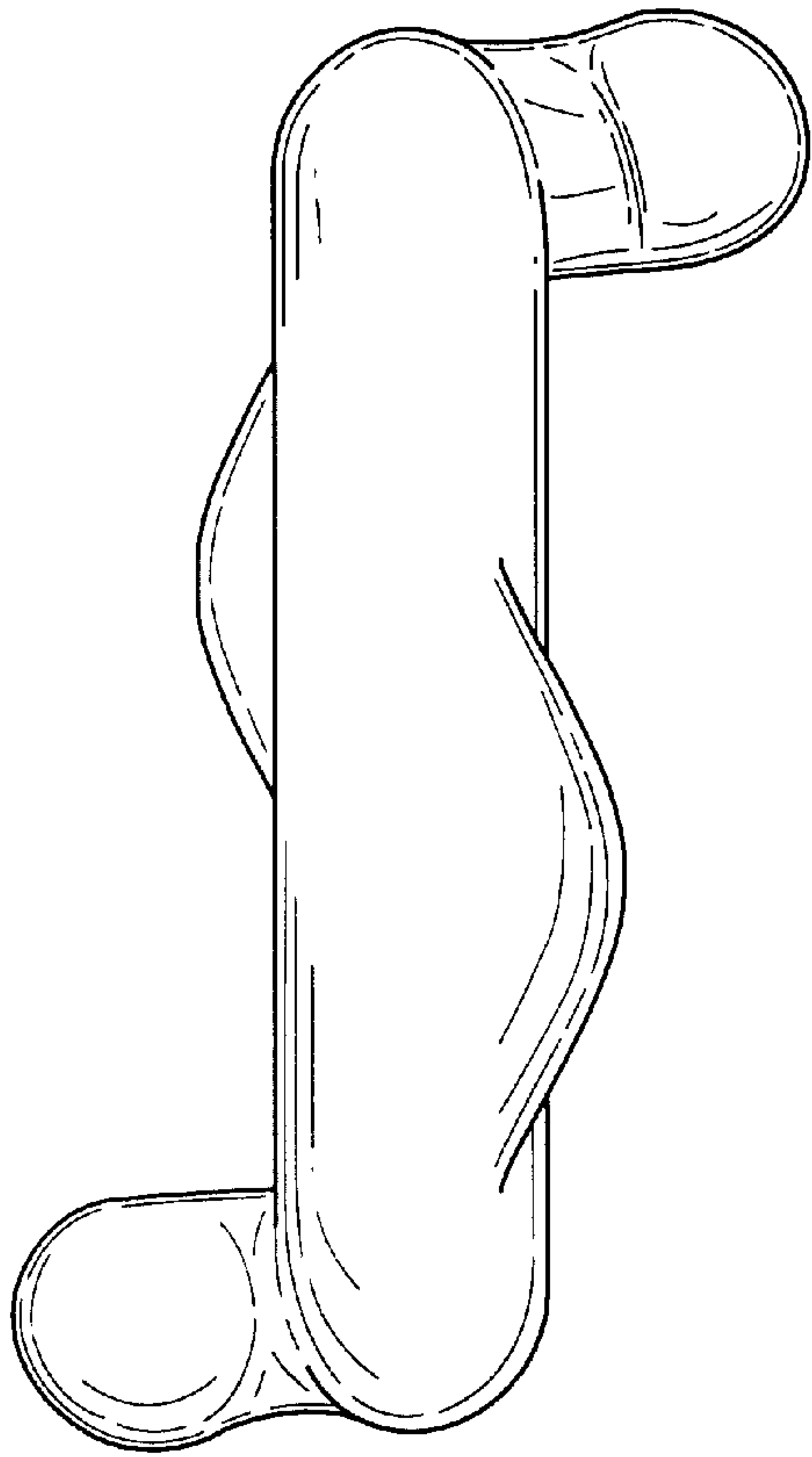


FIG.4

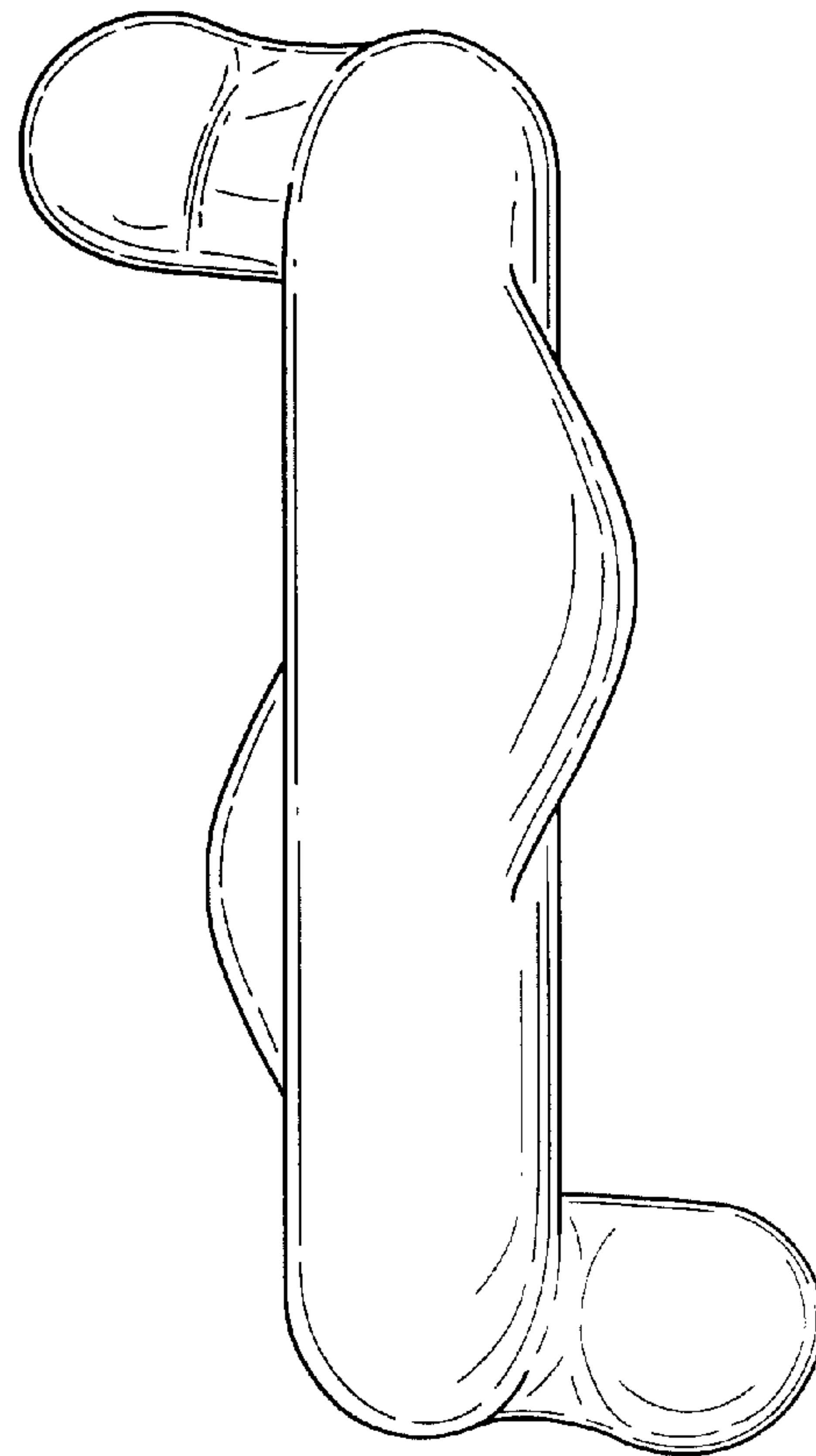


FIG.5

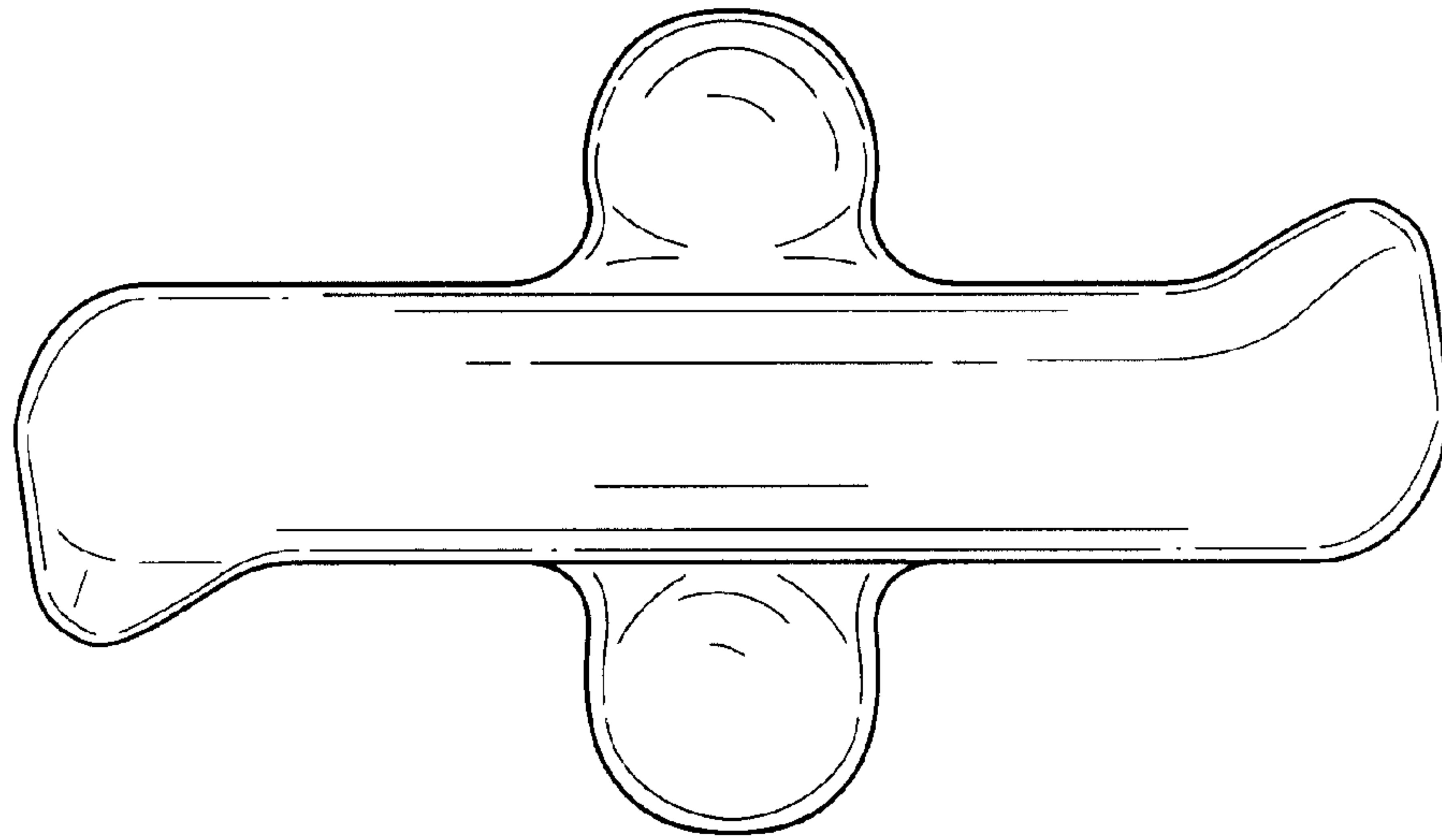


FIG. 6

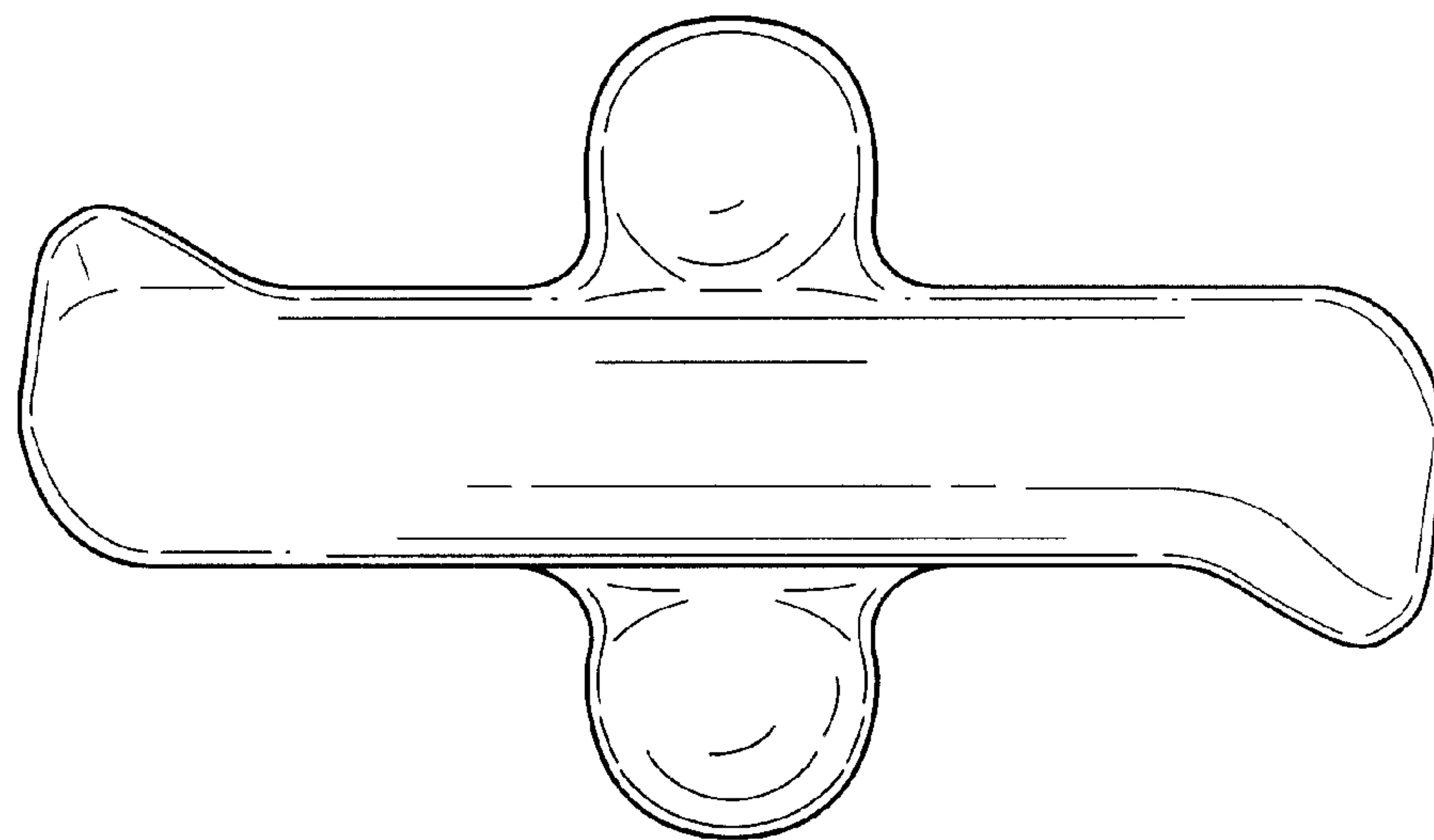


FIG. 7