



US00D523583S

(12) **United States Design Patent**  
**Boyd**

(10) **Patent No.:** **US D523,583 S**  
(45) **Date of Patent:** **\*\* \*Jun. 20, 2006**

(54) **DENTIFRICE**  
(75) **Inventor:** **Thomas Boyd**, Metuchen, NJ (US)  
(73) **Assignee:** **Colgate-Palmolive Company**, New York, NY (US)  
(\* ) **Notice:** This patent is subject to a terminal disclaimer.  
(\*\*) **Term:** **14 Years**

6,126,923 A \* 10/2000 Burke et al. .... 424/49  
6,139,820 A 10/2000 Fischer et al.  
6,161,729 A \* 12/2000 Gentile et al. .... 222/94  
6,592,852 B1 7/2003 Ryles et al.  
6,669,929 B1 12/2003 Boyd et al.  
D494,316 S 8/2004 Boyd  
D494,708 S 8/2004 Boyd  
D494,709 S 8/2004 Boyd  
D497,685 S \* 10/2004 Boyd ..... D28/4  
D497,686 S 10/2004 Boyd

\* cited by examiner

(21) **Appl. No.:** **29/227,566**  
(22) **Filed:** **Apr. 13, 2005**

*Primary Examiner*—Jennifer Rivard  
(74) *Attorney, Agent, or Firm*—Harris A. Wolin

(51) **LOC (8) Cl.** ..... **28-03**  
(52) **U.S. Cl.** ..... **D28/4**  
(58) **Field of Classification Search** ..... D28/4,  
D28/8.1, 8.2; 222/40, 94; 424/49, 52, 401,  
424/492  
See application file for complete search history.

(57) **CLAIM**

The ornamental design for a dentifrice, as shown and described.

**DESCRIPTION**

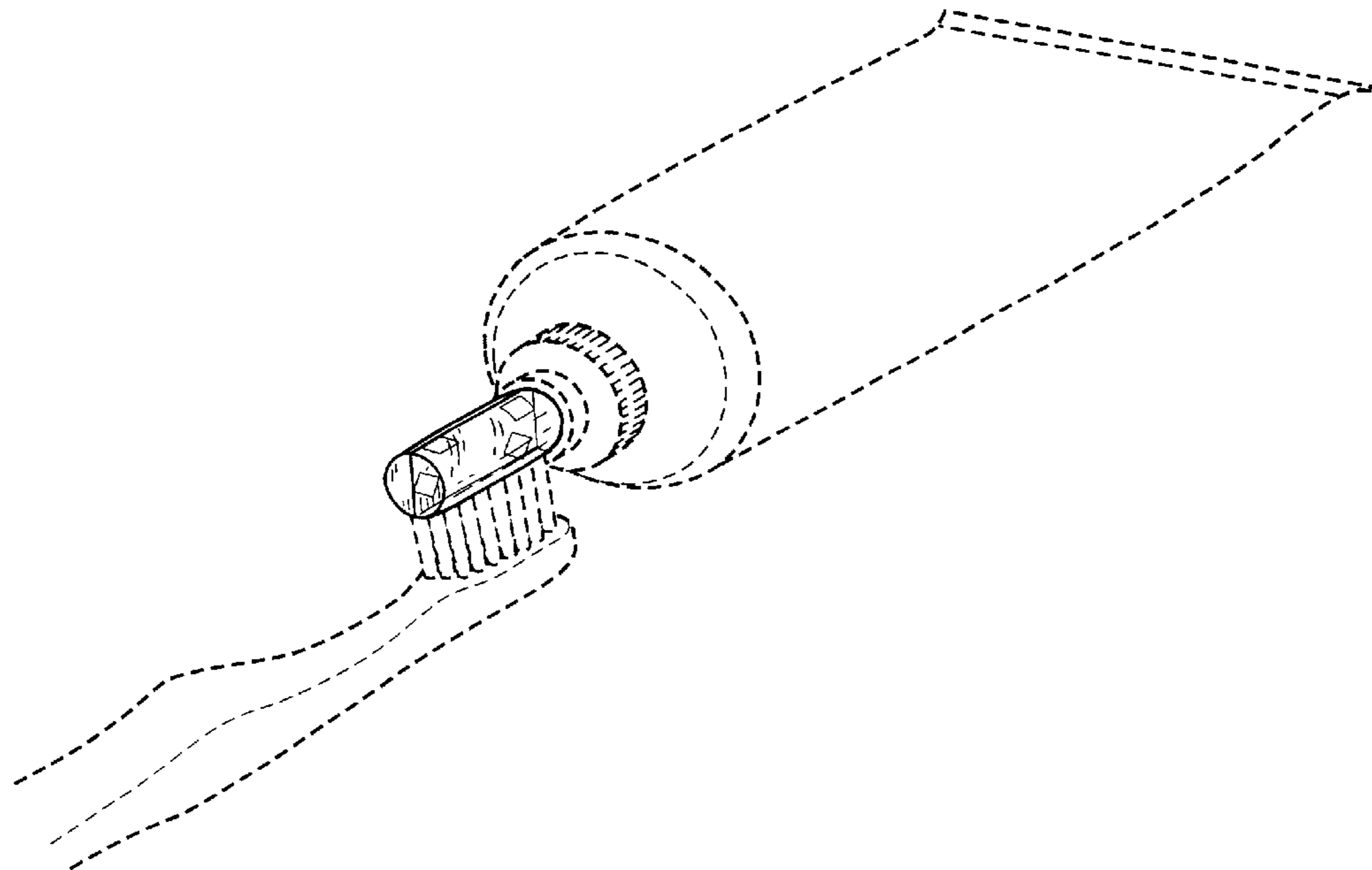
The dentifrice is shown as dispensed in two segments, one segment substantially transparent containing thin quadrangular shaped pieces and the other segment being primarily opaque.

FIG. 1 is a perspective view of the dentifrice of my design; FIG. 2 is a right side elevation thereof. FIG. 3 is a front elevation view thereof. FIG. 4 is a left side elevation view thereof. FIG. 5 is a perspective view of an additional embodiment thereof. FIG. 6 is a right side elevation view thereof. FIG. 7 is a front elevation view thereof; and, FIG. 8 is a left side elevation view thereof. The broken line showing of a toothbrush and a tube are for illustrative purposes only and form no part of the claimed design.

(56) **References Cited**  
U.S. PATENT DOCUMENTS

3,944,661 A 3/1976 Colodney et al.  
4,003,971 A 1/1977 Mannara  
4,069,311 A 1/1978 Mannara  
4,069,312 A 1/1978 Mannara  
D277,611 S 2/1985 Sanabria  
4,663,152 A 5/1987 Barth et al.  
4,849,212 A 7/1989 Glandorf et al.  
D304,382 S 10/1989 Mohrle  
5,035,349 A \* 7/1991 Donahue ..... 222/94  
5,088,623 A \* 2/1992 Crawford ..... 222/40  
5,318,203 A \* 6/1994 Iaia et al. .... 222/94  
5,941,420 A \* 8/1999 Connan ..... 222/94  
5,993,784 A 11/1999 Hill  
D420,463 S \* 2/2000 Mandadi et al. .... D28/4

**1 Claim, 2 Drawing Sheets**



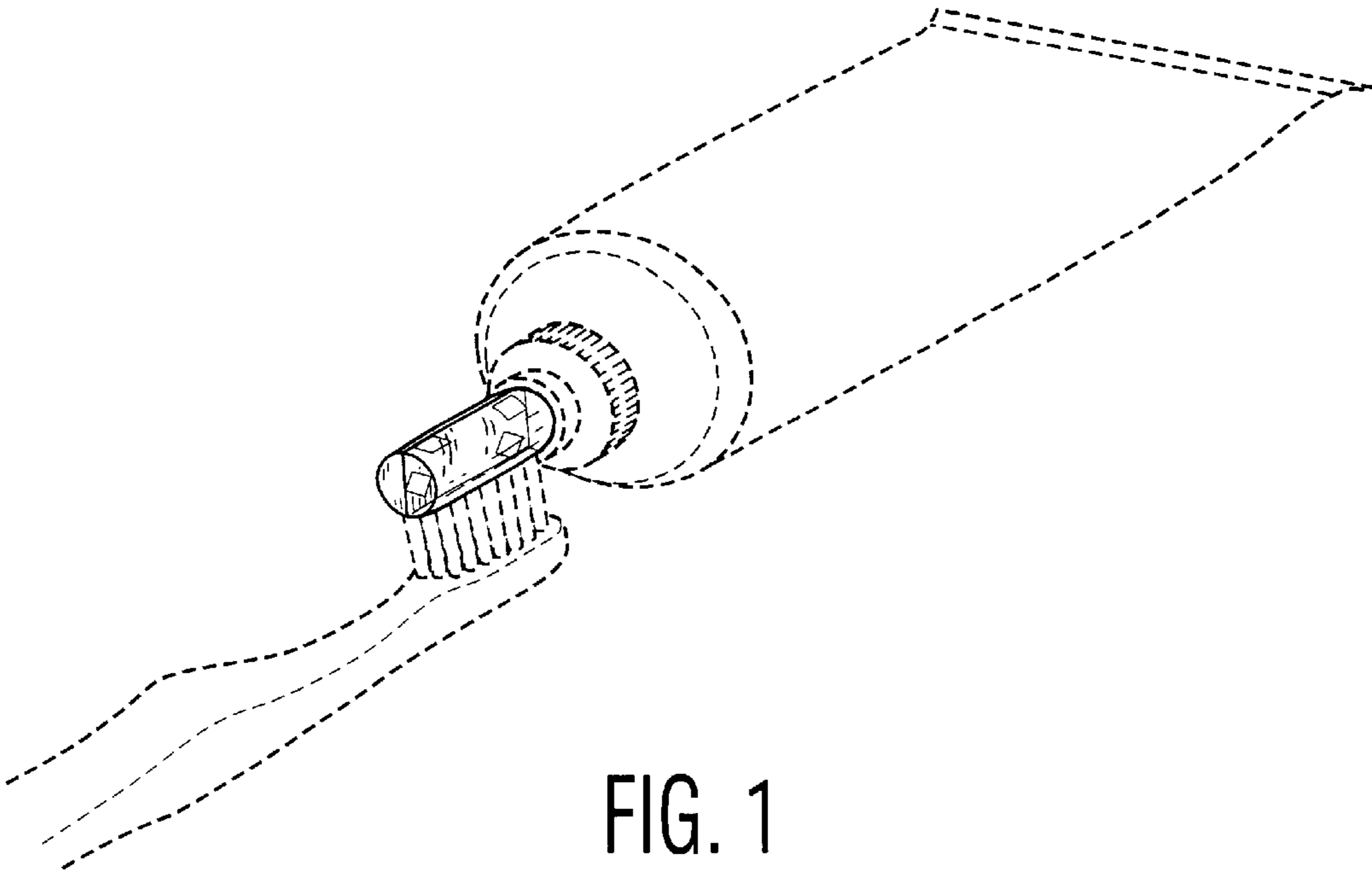


FIG. 1

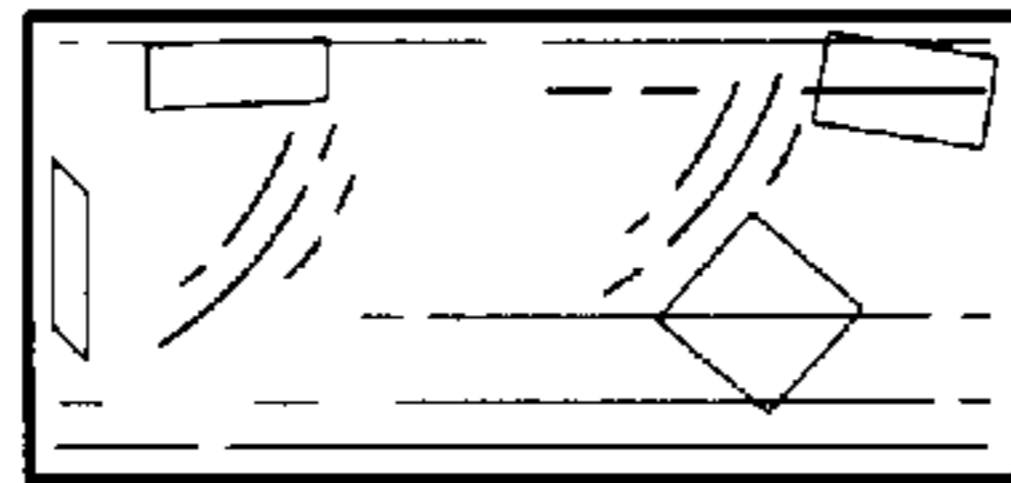


FIG. 2

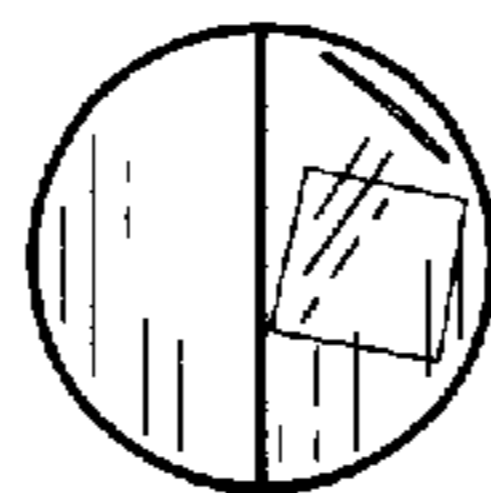


FIG. 3

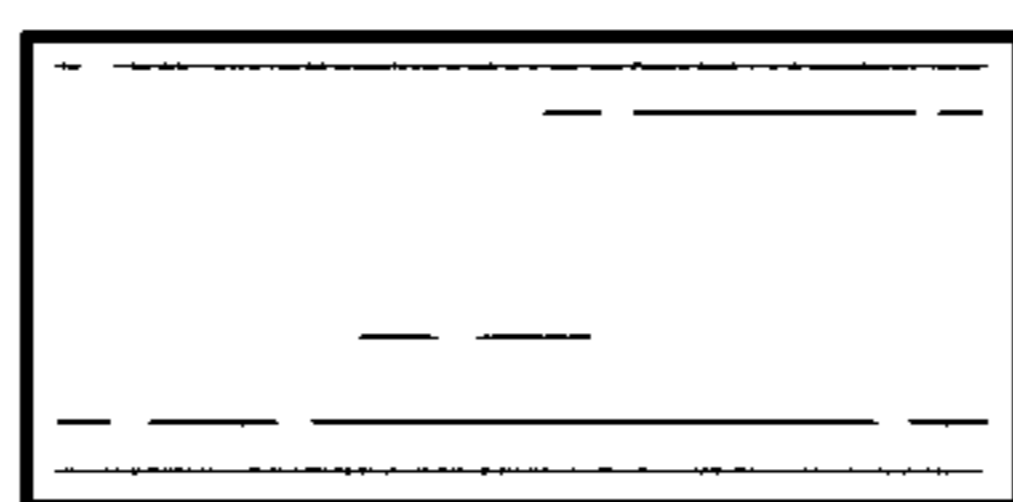


FIG. 4

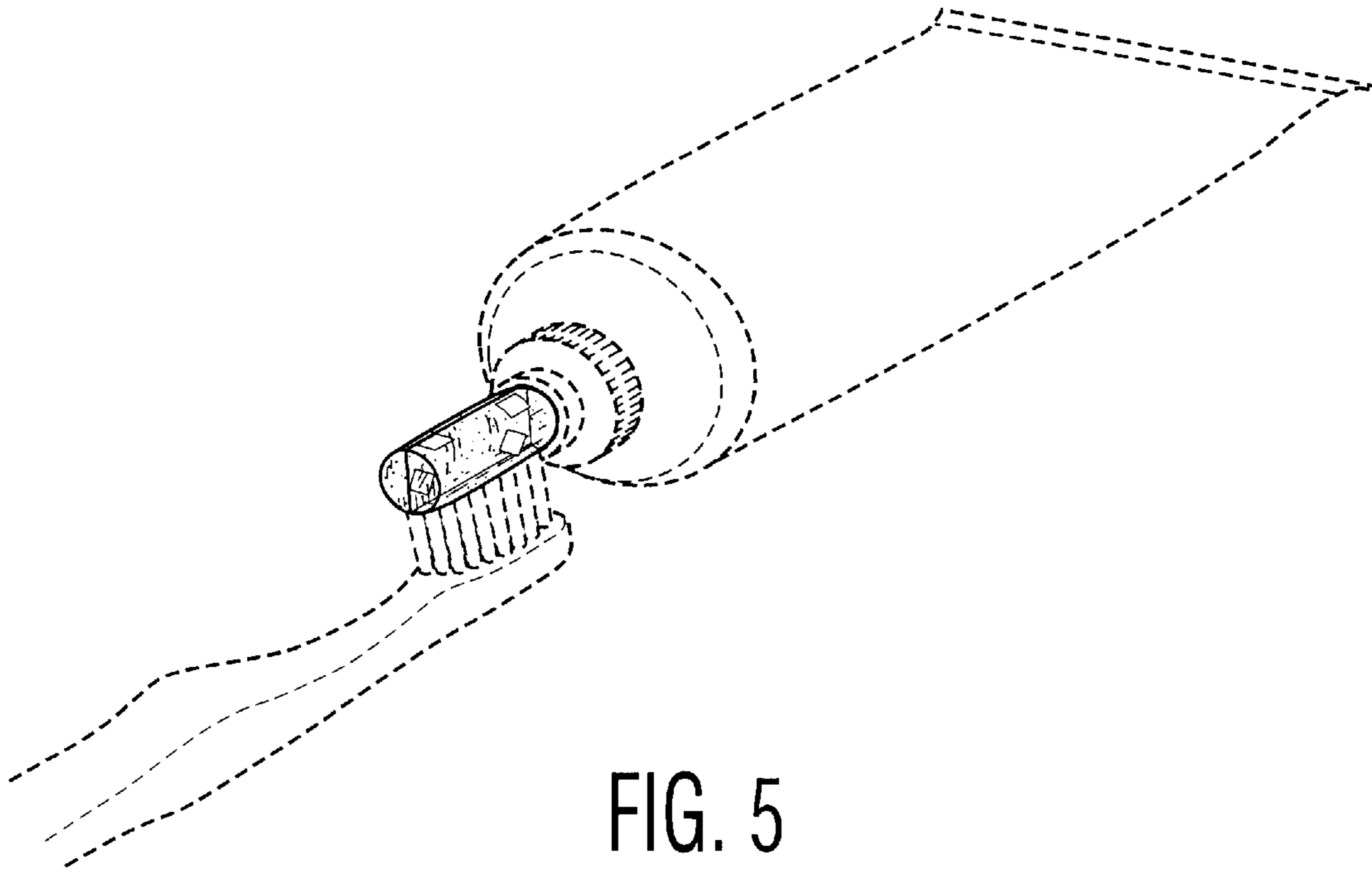


FIG. 5

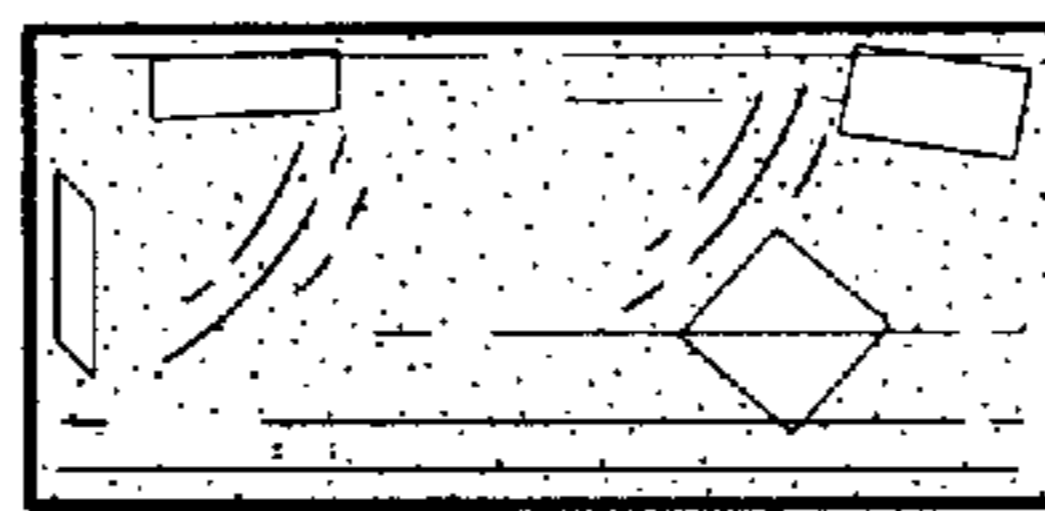


FIG. 6

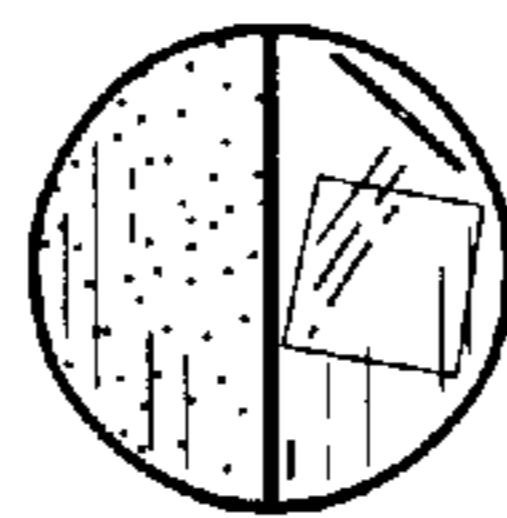


FIG. 7

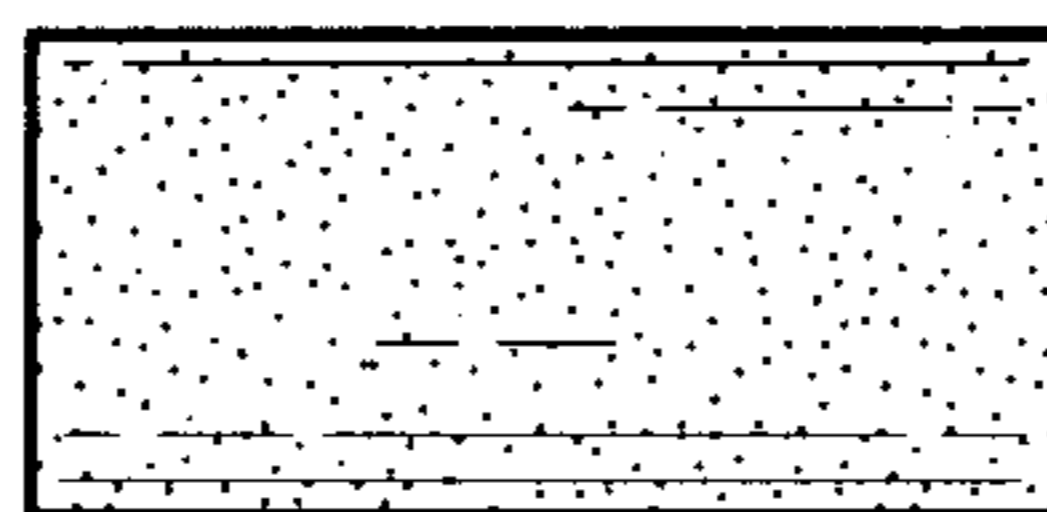


FIG. 8