



US00D523582S

(12) **United States Design Patent**  
**Boyd**

(10) **Patent No.:** **US D523,582 S**  
(45) **Date of Patent:** **\*\* \*Jun. 20, 2006**

(54) **DENTIFRICE**  
(75) Inventor: **Thomas Boyd**, Metuchen, NJ (US)  
(73) Assignee: **Colgate-Palmolive Company**, New York, NY (US)  
(\* ) Notice: This patent is subject to a terminal disclaimer.  
(\*\*) Term: **14 Years**

6,139,820 A 10/2000 Fischer et al.  
6,161,729 A \* 12/2000 Gentile et al. .... 222/94  
6,592,852 B1 7/2003 Ryles et al.  
6,669,929 B1 12/2003 Boyd et al.  
D494,316 S 8/2004 Boyd  
D494,708 S 8/2004 Boyd  
D494,709 S 8/2004 Boyd  
D497,685 S 10/2004 Boyd  
D497,686 S \* 10/2004 Boyd ..... D28/4  
2004/0126332 A1 7/2004 Boyd et al.  
2004/0136924 A1 7/2004 Boyd et al.

\* cited by examiner

(21) Appl. No.: **29/227,564**  
(22) Filed: **Apr. 13, 2005**

*Primary Examiner*—Jennifer Rivard  
(74) *Attorney, Agent, or Firm*—Harris A. Wolin

(51) **LOC (8) Cl.** ..... **28-03**  
(52) **U.S. Cl.** ..... **D28/4**  
(58) **Field of Classification Search** ..... D28/4,  
D28/8.1, 8.2; 222/40, 94; 424/49, 52, 401,  
424/492

(57) **CLAIM**

The ornamental design for a dentifrice, as shown and described.

See application file for complete search history.

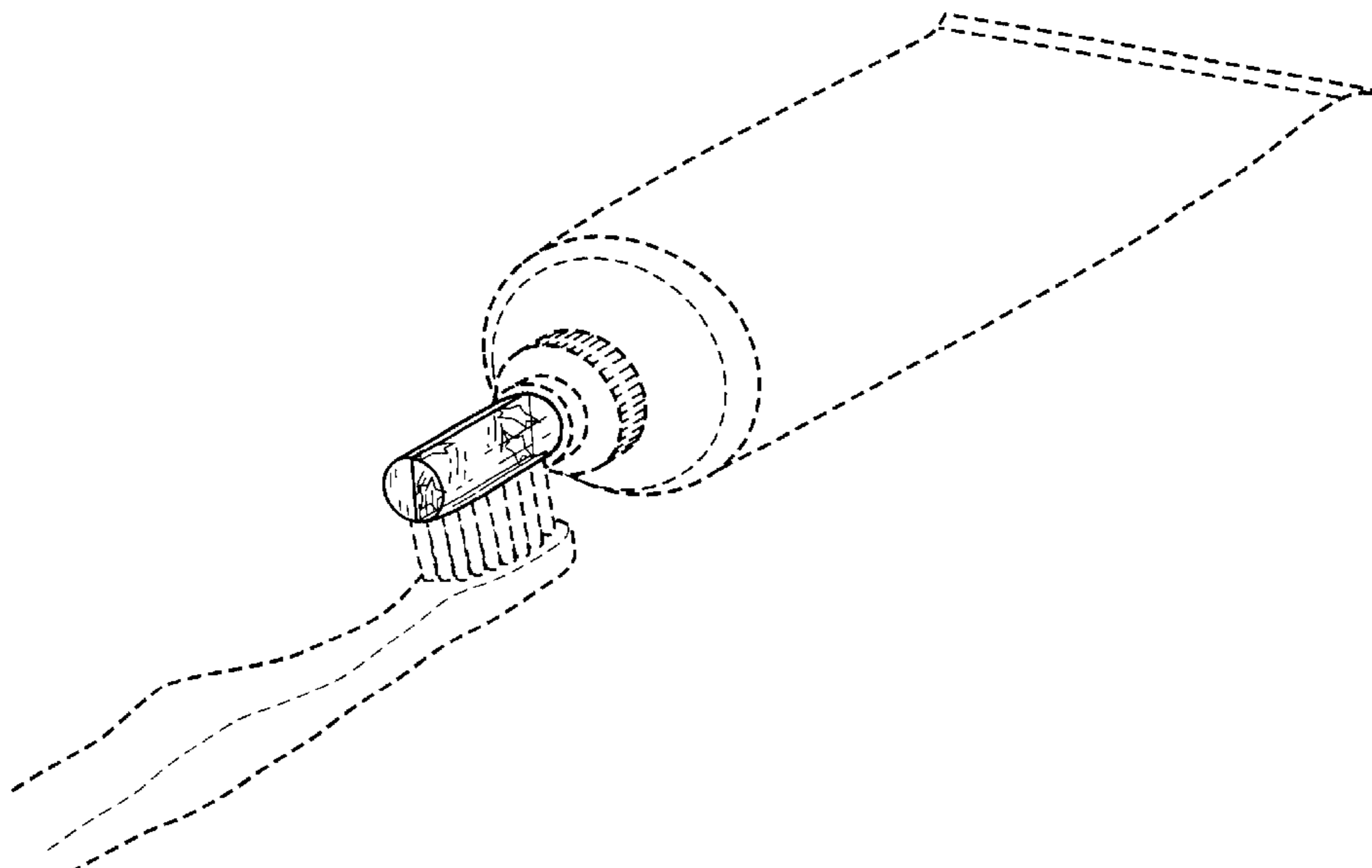
**DESCRIPTION**

(56) **References Cited**  
U.S. PATENT DOCUMENTS

3,944,661 A 3/1976 Colodney et al.  
4,003,971 A 1/1977 Mannara  
4,069,311 A 1/1978 Mannara  
4,069,312 A 1/1978 Mannara  
D277,611 S 2/1985 Sanabria  
4,663,152 A 5/1987 Barth et al.  
4,849,212 A 7/1989 Glandorf et al.  
D304,382 S 10/1989 Mohrle  
5,035,349 A \* 7/1991 Donahue ..... 222/94  
5,088,623 A \* 2/1992 Crawford ..... 222/40  
5,318,203 A \* 6/1994 Iaia et al. .... 222/94  
5,941,420 A \* 8/1999 Connan ..... 222/94  
5,993,784 A 11/1999 Hill  
D420,463 S \* 2/2000 Mandadi et al. .... D28/4  
6,126,923 A \* 10/2000 Burke et al. .... 424/49

FIG. 1 is a perspective view of the dentifrice of my design; FIG. 2 is a right side elevation thereof. FIG. 3 is a front elevation view thereof. FIG. 4 is a left side elevation view thereof. FIG. 5 is a perspective view of an additional embodiment thereof. FIG. 6 is a right side elevation view thereof. FIG. 7 is a front elevation view thereof; and, FIG. 8 is a left side elevation view thereof. The broken line showing of a toothbrush and a tube are for illustrative purposes only and form no part of the claimed design. The dentifrice is shown as dispensed in two segments, one segment substantially transparent containing thin star shaped pieces and the other segment being primarily opaque.

**1 Claim, 2 Drawing Sheets**



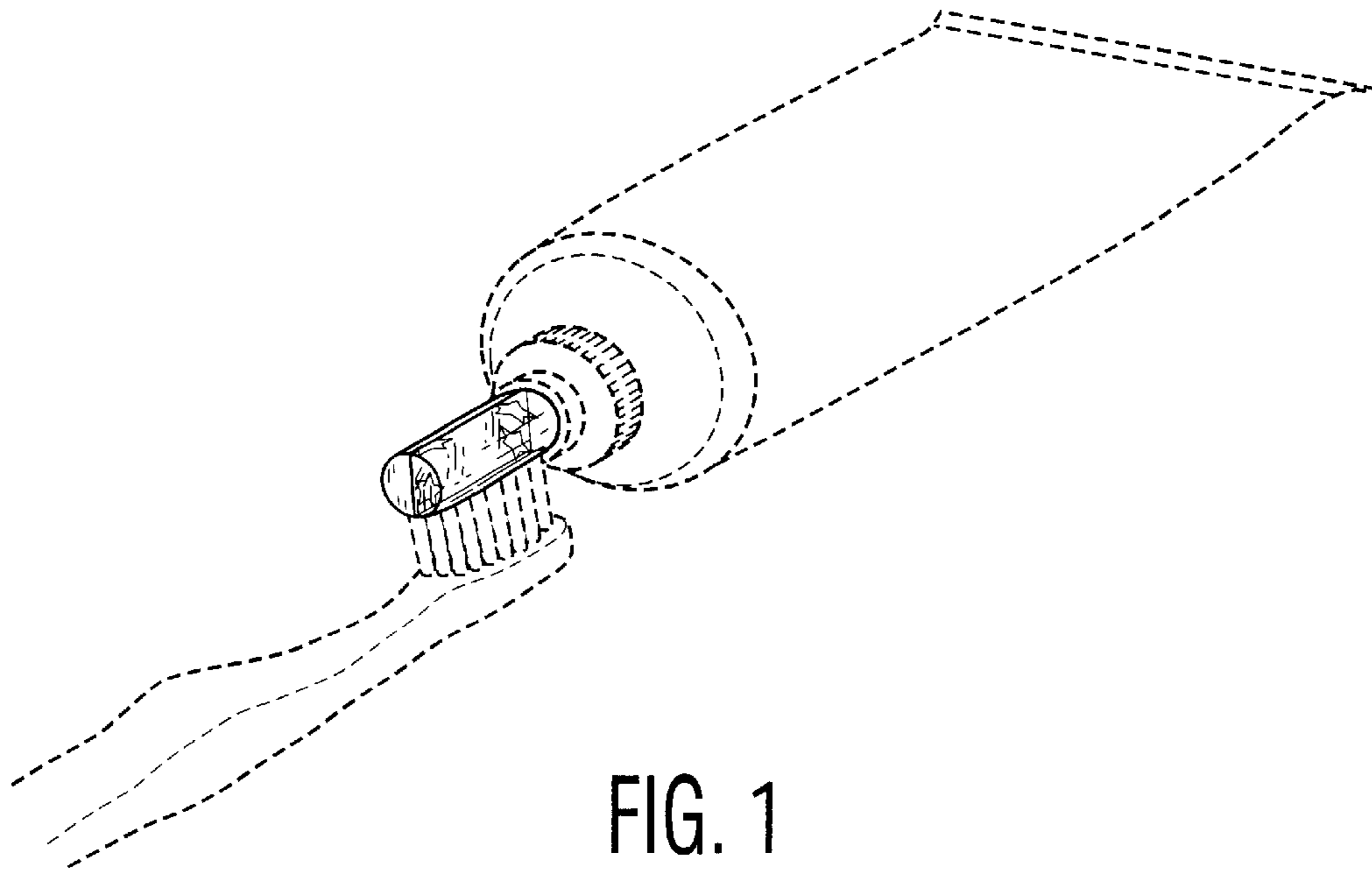


FIG. 1



FIG. 2

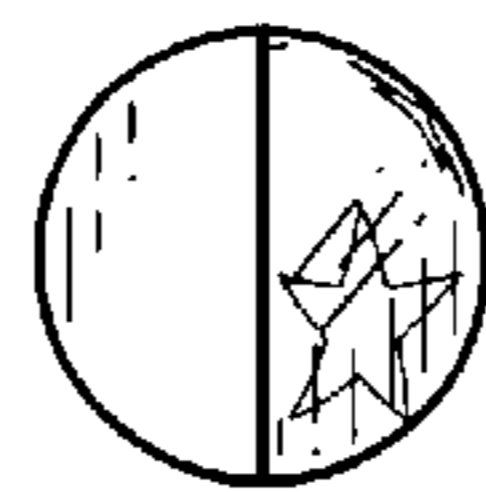


FIG. 3

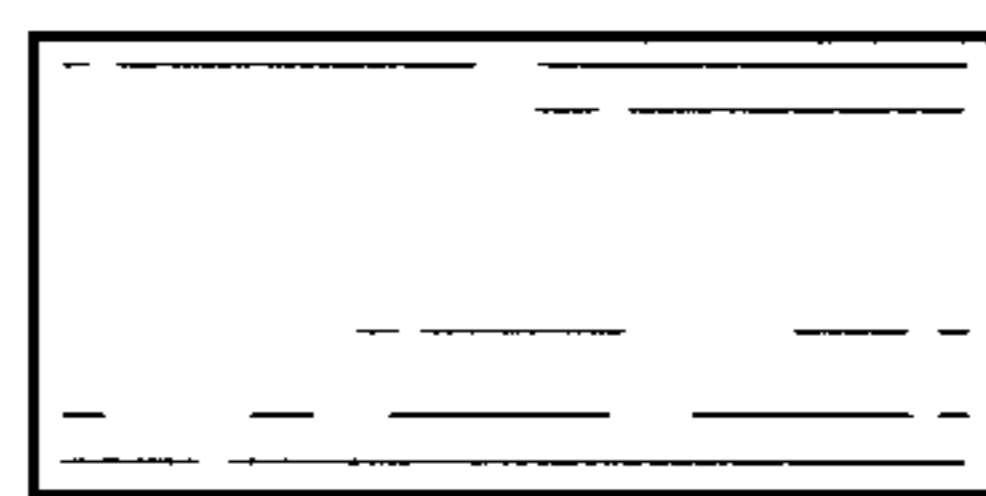


FIG. 4

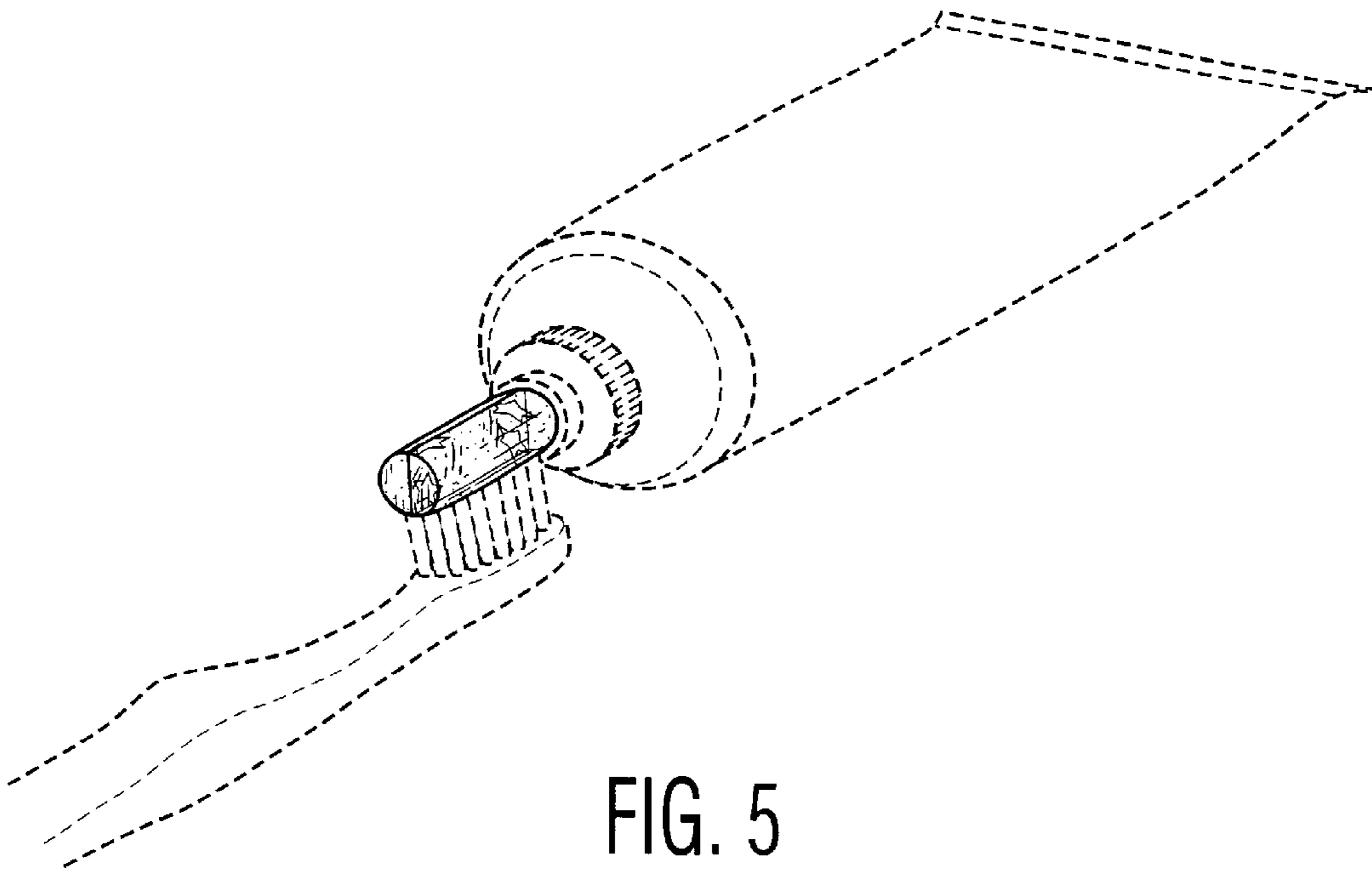


FIG. 5

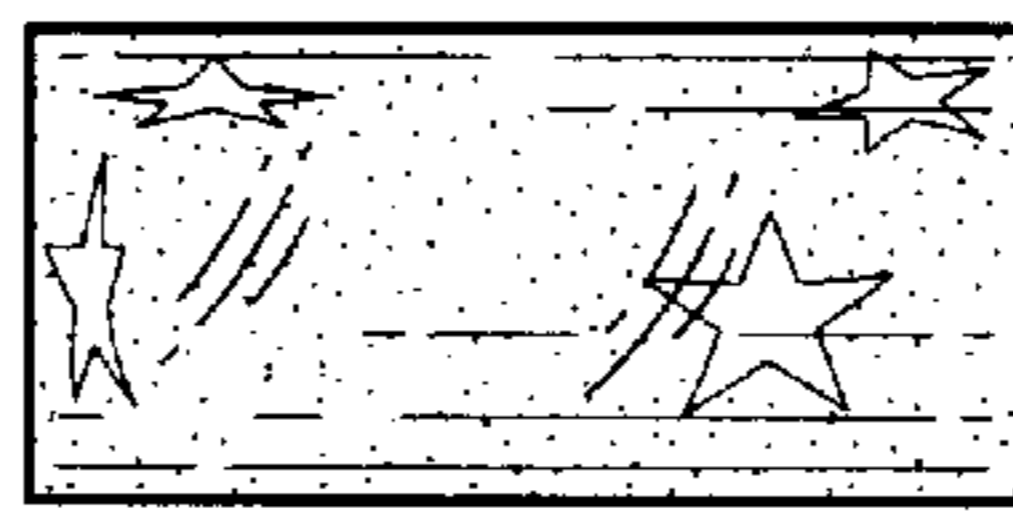


FIG. 6

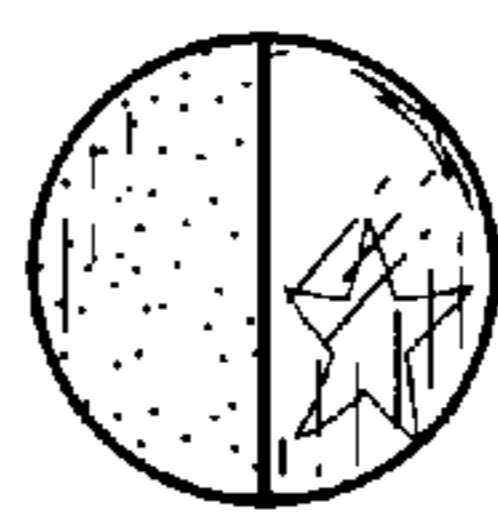


FIG. 7

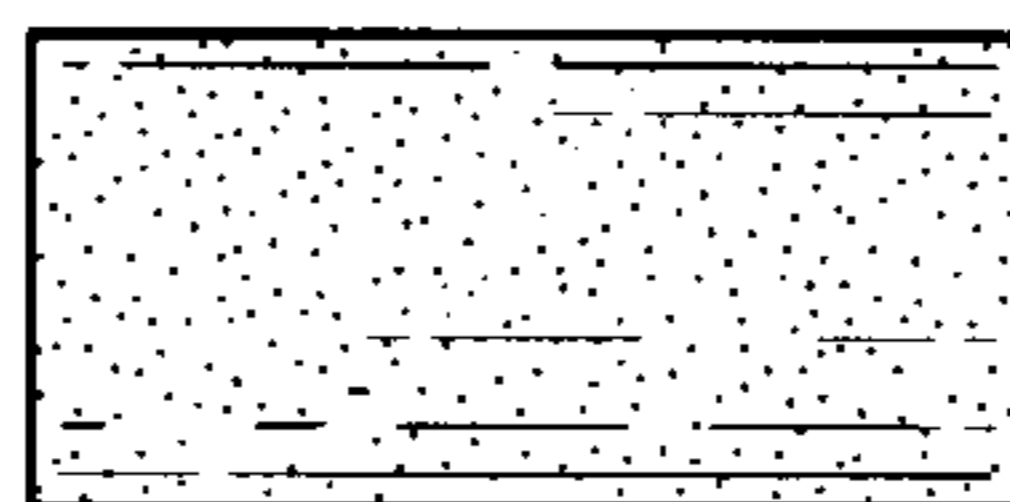


FIG. 8