

US00D523578S

(12) **United States Design Patent**
Schuyler et al.

(10) **Patent No.:** **US D523,578 S**

(45) **Date of Patent:** **** Jun. 20, 2006**

(54) **LIGHT FIXTURE**

(75) Inventors: **Andrew Schuyler**, Colchester, VT
(US); **Andrew Schonbek**, Plattsburgh,
NY (US)

(73) Assignee: **Schonbek Worldwide Lighting, Inc.**,
Plattsburgh, NY (US)

(**) Term: **14 Years**

(21) Appl. No.: **29/221,154**

(22) Filed: **Jan. 12, 2005**

(51) **LOC (8) Cl.** **26-99**

(52) **U.S. Cl.** **D26/142; D26/154**

(58) **Field of Classification Search** D26/154,
D26/138, 113, 81, 84, 88; D11/90; 362/404-406,
362/457, 806; 63/26-28, 32

See application file for complete search history.

(56) **References Cited**

U.S. PATENT DOCUMENTS

D55,512 S	*	6/1920	Heller	D11/90
D56,949 S	*	1/1921	Tatler	D11/90
1,560,414 A	*	11/1925	De Haan	63/32
3,619,599 A	*	11/1971	Hermanson	362/250
3,943,353 A	*	3/1976	Tada	362/404
5,109,325 A	*	4/1992	Bayer et al.	362/433
5,116,009 A	*	5/1992	Bayer	248/303
5,144,541 A	*	9/1992	Schonbek	362/405

(Continued)

OTHER PUBLICATIONS

Basket Sconce with Crystal Accents. Item #92659 from
Lamps Plus. Found online at lampsplus.com on Aug. 11,
2005.*

“Star Dust” by Tokujin Yoshioka from the Swarovski Crys-
tal Palace Collection. Posted at mocoloco.com on May 9,
2005.*

James R. Modor, Strass Crystal Mini Pendant Chandelier.
Item #55672 from Lamps Plus. Found online at lampsplus.
com on Aug. 11, 2005.*

James R. Modor, Sapphire Mini Pendant Chandelier. Item
#55666 from Lamps Plus. Found online at lampsplus.com
on Aug. 11, 2005.*

Swarovski Components (c) 2001, Crystal in a New Light
(Classic Section), Art 8116, New Strass Octagon, p. 17.

Florida Design, vol. 11 No. 3, p. 296.

Swarovski (c) 2002, Crystal Perspectives, Atlas Moon, p.
16.

Swarovski (c) 2002, Crystal Perspectives, Various Down-
lights & Spots, p. 17.

Faustig Catalog No. 492, p. 44, 1992.

Faustig Catalog No. 492, p. 45, 1992.

Faustig Catalog No. 179, p. 30.

Faustig Catalog No. 179, p. 108.

Schonbek Portfolio 108, p. 52, 1980.

Schonbek Portfolio 108, p. 67, 1980.

Swarovski (c) 2002, Crystal Perspectives, Crystal Down-
lights, p. 46.

Primary Examiner—Clare E Heflin

(74) *Attorney, Agent, or Firm*—Heslin Rothenberg Farley
& Mesiti P.C.

(57) **CLAIM**

The ornamental design for a light fixture, as shown and
described.

DESCRIPTION

This application is related to commonly assigned application
Ser. No. 10/757,623 filed Jan. 14, 2004, now pending, and
to commonly assigned, concurrently filed application Ser.
No. 29/221,185, application Ser. No. 29/221,186, and appli-
cation Ser. No. 29/221,153, the full disclosures of which are
incorporated by reference herein.

FIG. 1 is an isometric view of the light fixture of the present
invention;

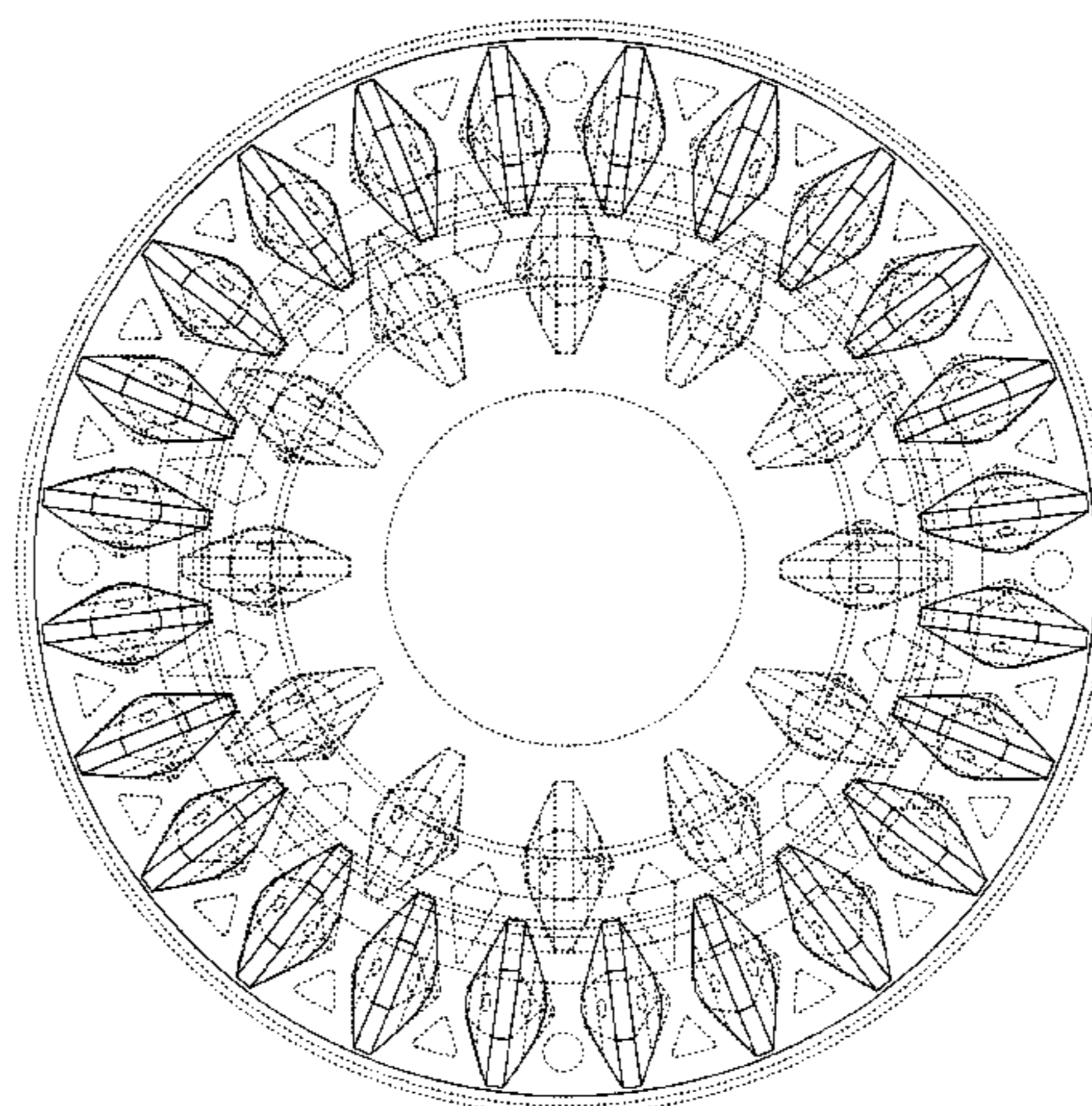
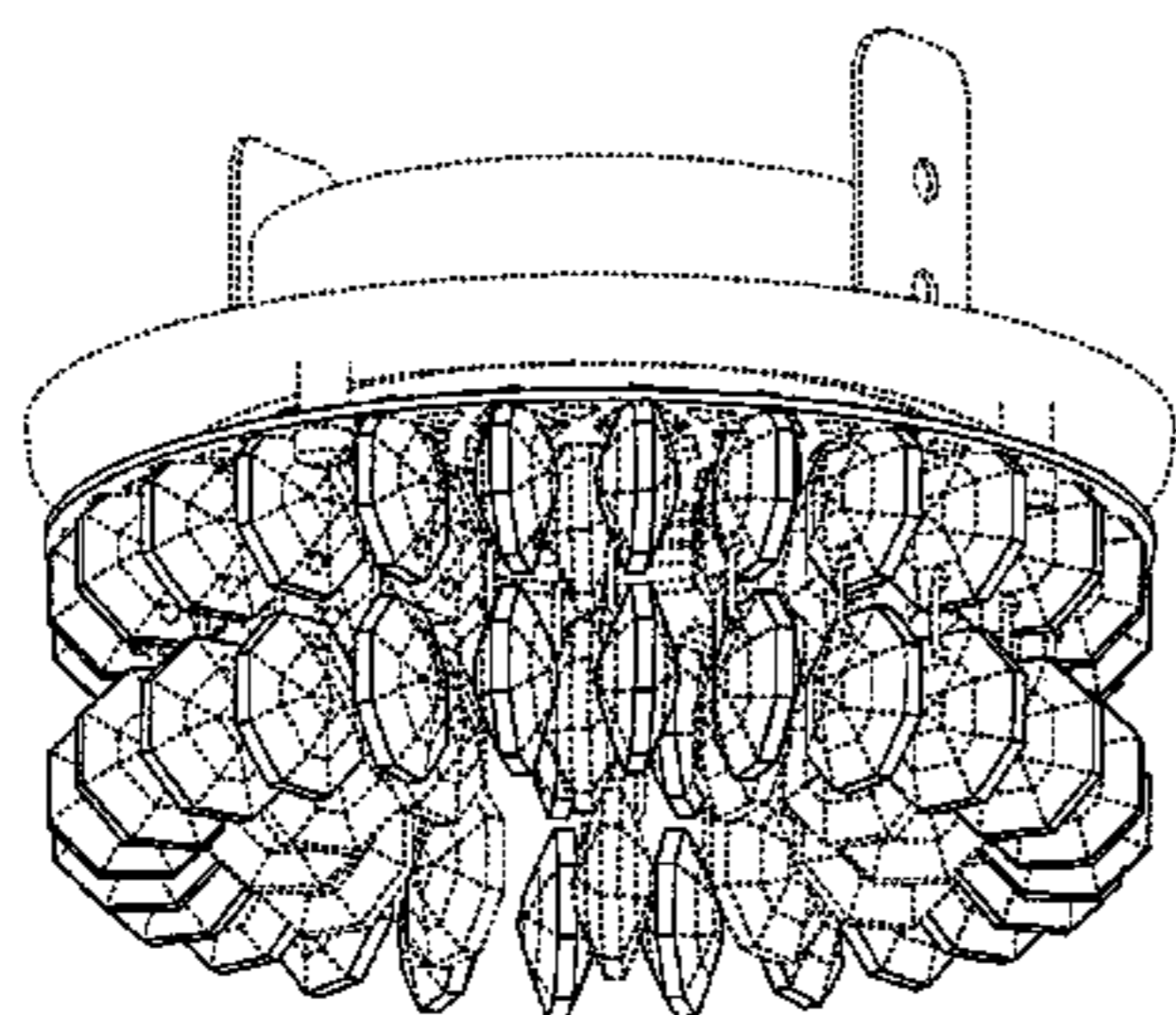
FIG. 2 is a front elevation view thereof, the side and rear
elevation views being identical thereto;

FIG. 3 is a top plan view thereof; and,

FIG. 4 is a bottom plan view thereof.

The broken line showing is for illustrative purposes only and
forms no part of the claimed invention.

1 Claim, 4 Drawing Sheets



US D523,578 S

Page 2

U.S. PATENT DOCUMENTS							
				5,906,430	A *	5/1999	Bayer 362/404
				5,921,668	A *	7/1999	Bayer 362/404
5,222,805	A *	6/1993	Schonbek et al.	6,921,186	B1 *	7/2005	Viskovich 362/404
5,241,460	A *	8/1993	Schonbek 362/405	2005/0172668	A1 *	8/2005	Bayer et al. 63/28
5,285,364	A *	2/1994	Bayer 362/405				
5,567,046	A *	10/1996	Lucas 362/405				

* cited by examiner

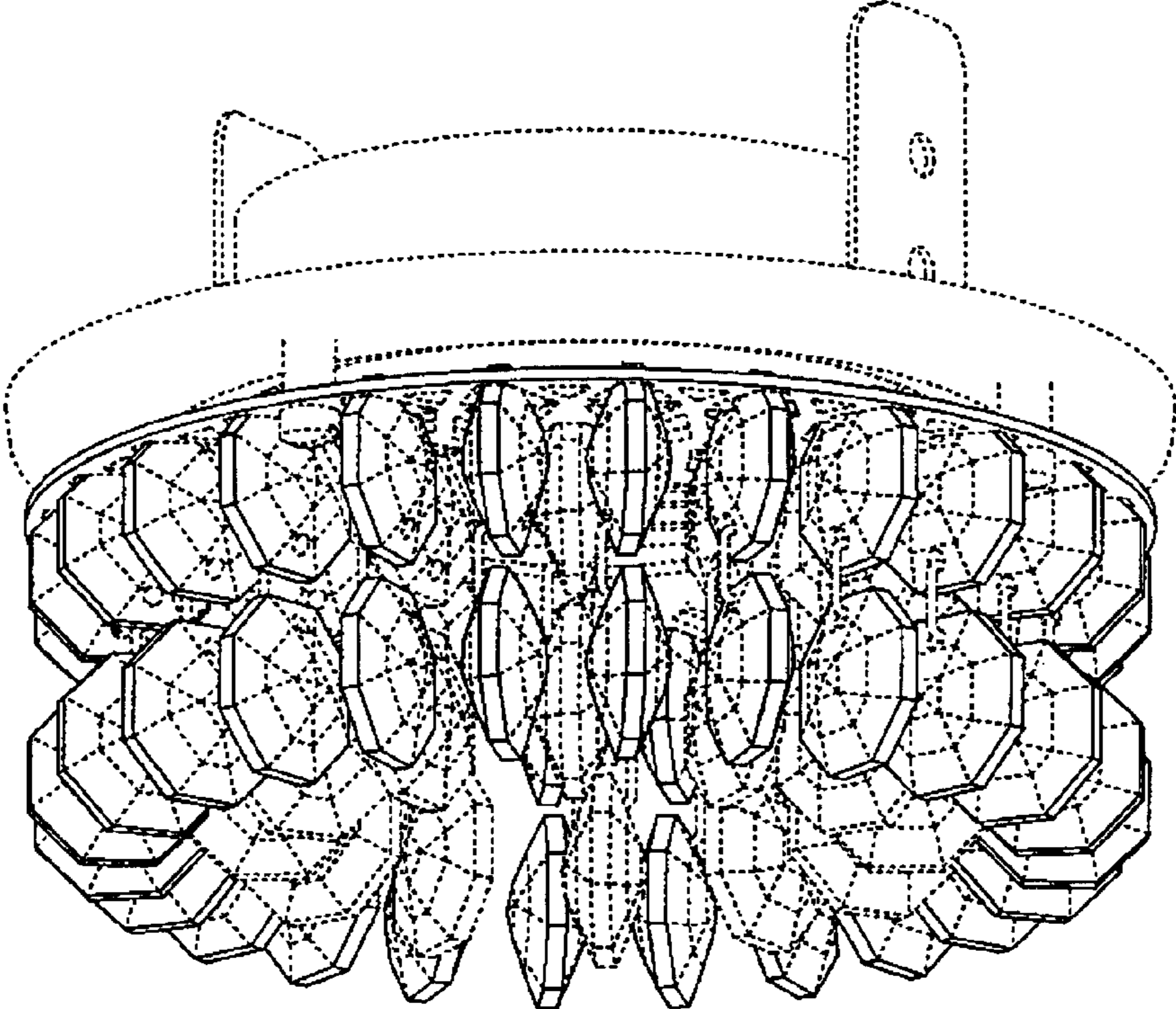


FIG. 1

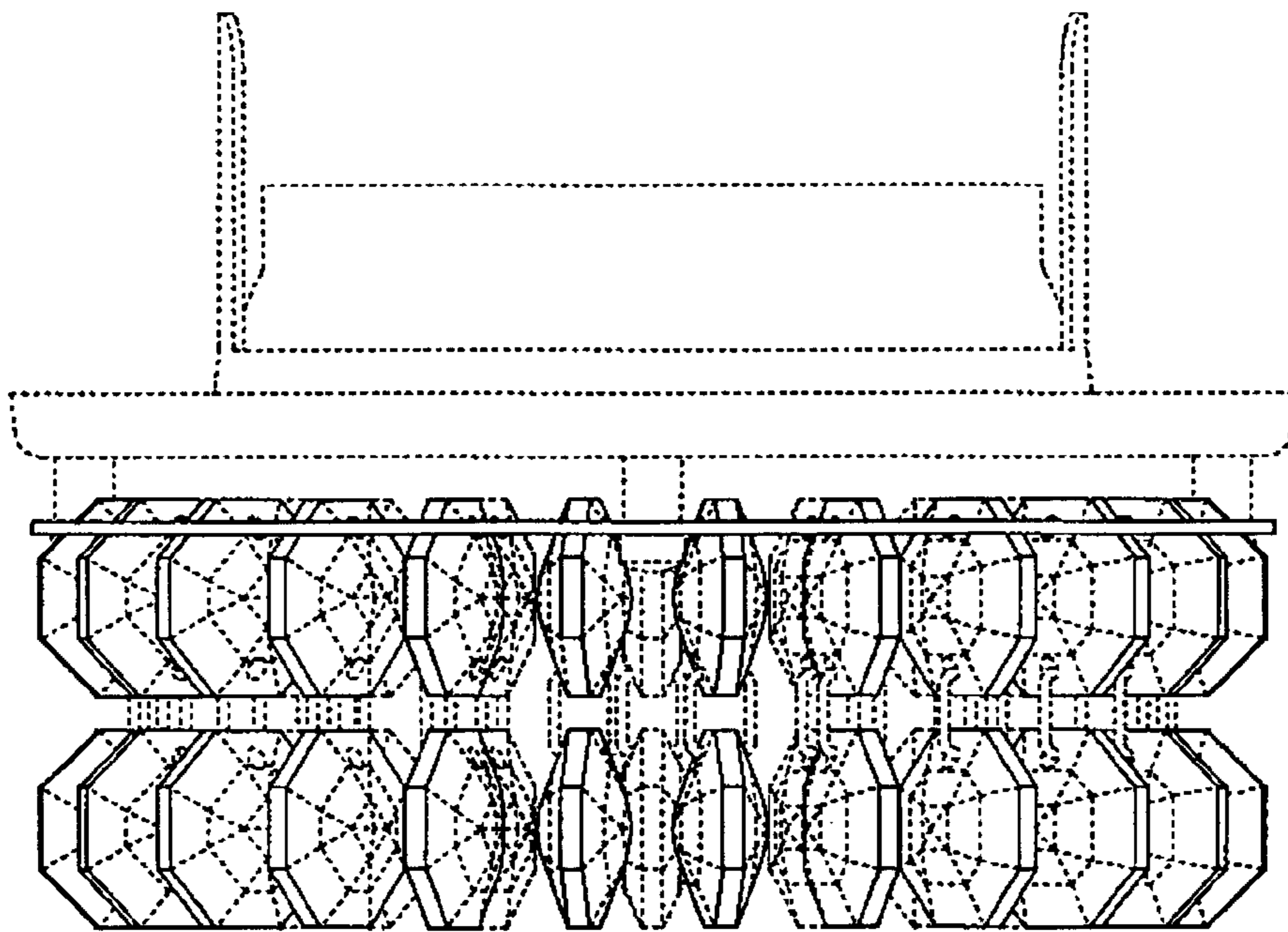


FIG. 2

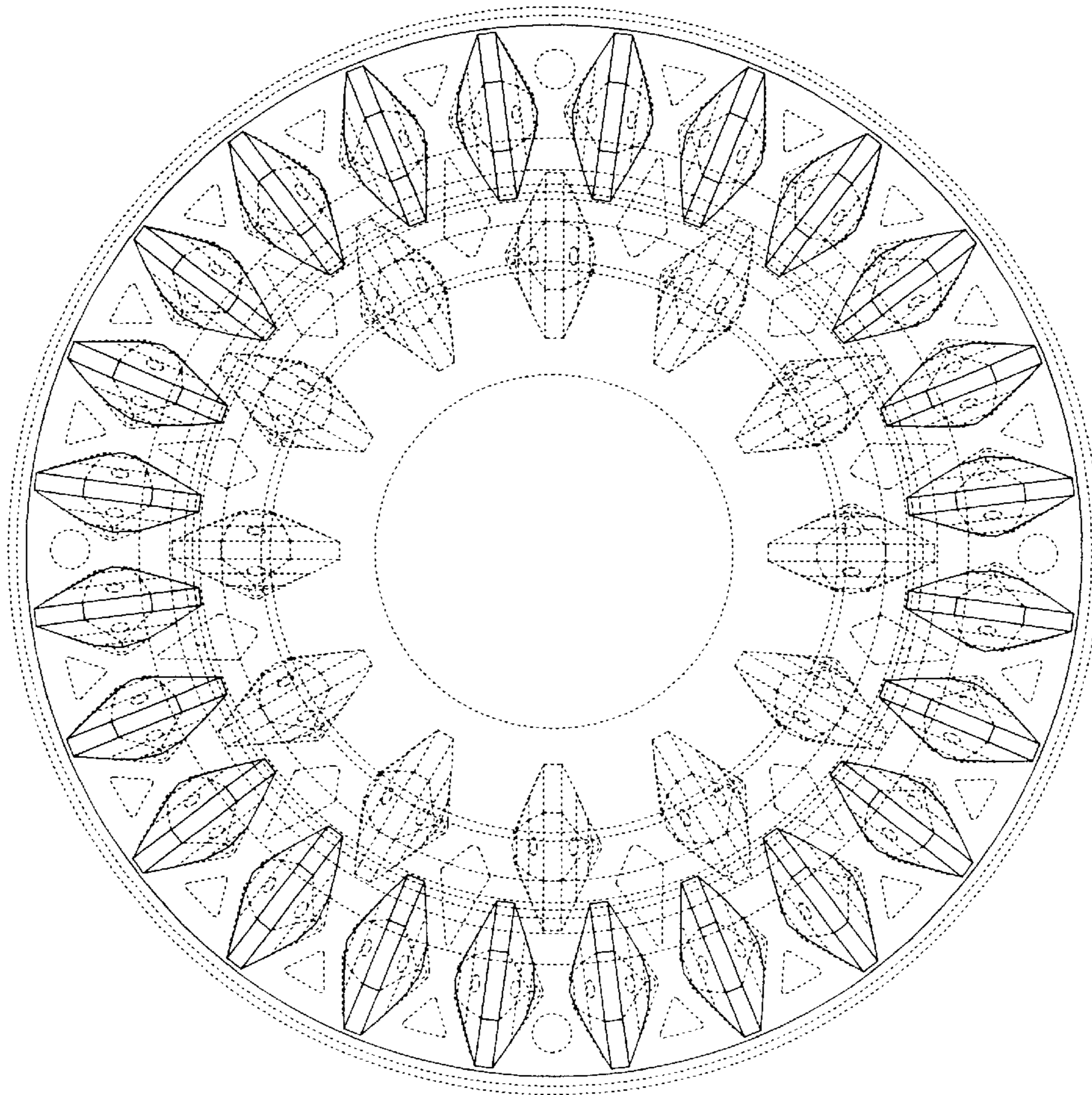


FIG. 3

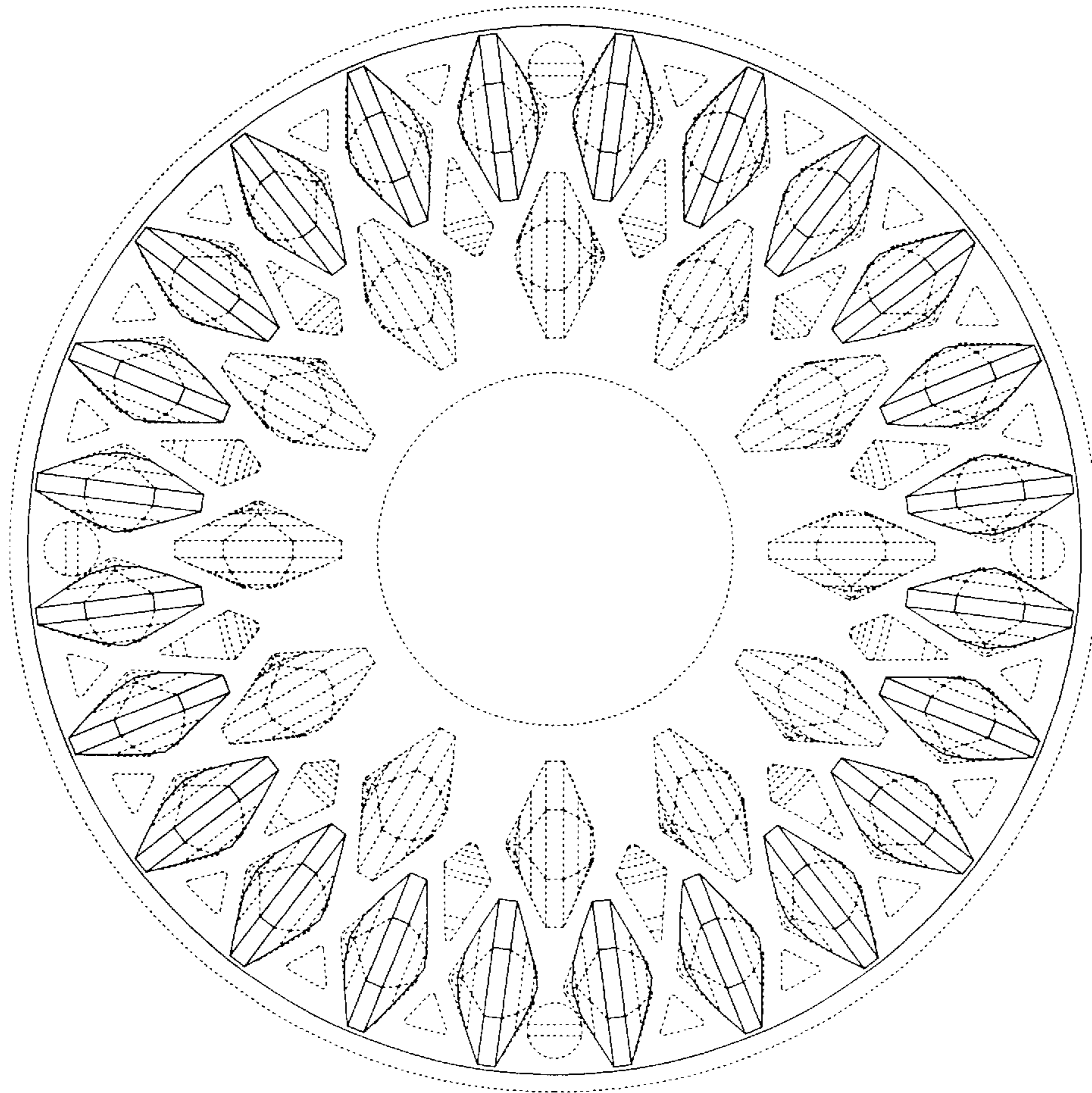


FIG. 4