



US00D523575S

(12) **United States Design Patent**
Bhavnani

(10) **Patent No.:** **US D523,575 S**

(45) **Date of Patent:** **** Jun. 20, 2006**

(54) **FLASHLIGHT RADIO**

D489,703 S * 5/2004 Tien D14/168

(75) Inventor: **Dilip Bhavnani**, Beverly Hills, CA
(US)

* cited by examiner

Primary Examiner—Marcus A. Jackson

(73) Assignee: **Sun Coast Merchandise Corp.**,
Commerce, CA (US)

(74) *Attorney, Agent, or Firm*—The Soni Law Firm

(**) Term: **14 Years**

(57) **CLAIM**

The ornamental design for a flashlight radio, as shown and described.

(21) Appl. No.: **29/224,641**

DESCRIPTION

(22) Filed: **Mar. 4, 2005**

(51) **LOC (8) Cl.** **26-02**

(52) **U.S. Cl.** **D26/38**

(58) **Field of Classification Search** D26/37-50;
D14/188, 193-198; 362/157, 158, 171-174,
362/183-208

FIG. 1 is a front perspective view of a flashlight radio;
FIG. 2 is a front elevation view of the flashlight radio of FIG. 1;
FIG. 3 is a top plan view of the flashlight radio of FIG. 1;
FIG. 4 is a bottom plan view of the flashlight radio of FIG. 1;
FIG. 5 is a rear view of the flashlight radio of FIG. 1;
FIG. 6 is a right side elevation view of the flashlight radio of FIG. 1; and,
FIG. 7 is a left side elevation view of the flashlight radio of FIG. 1.

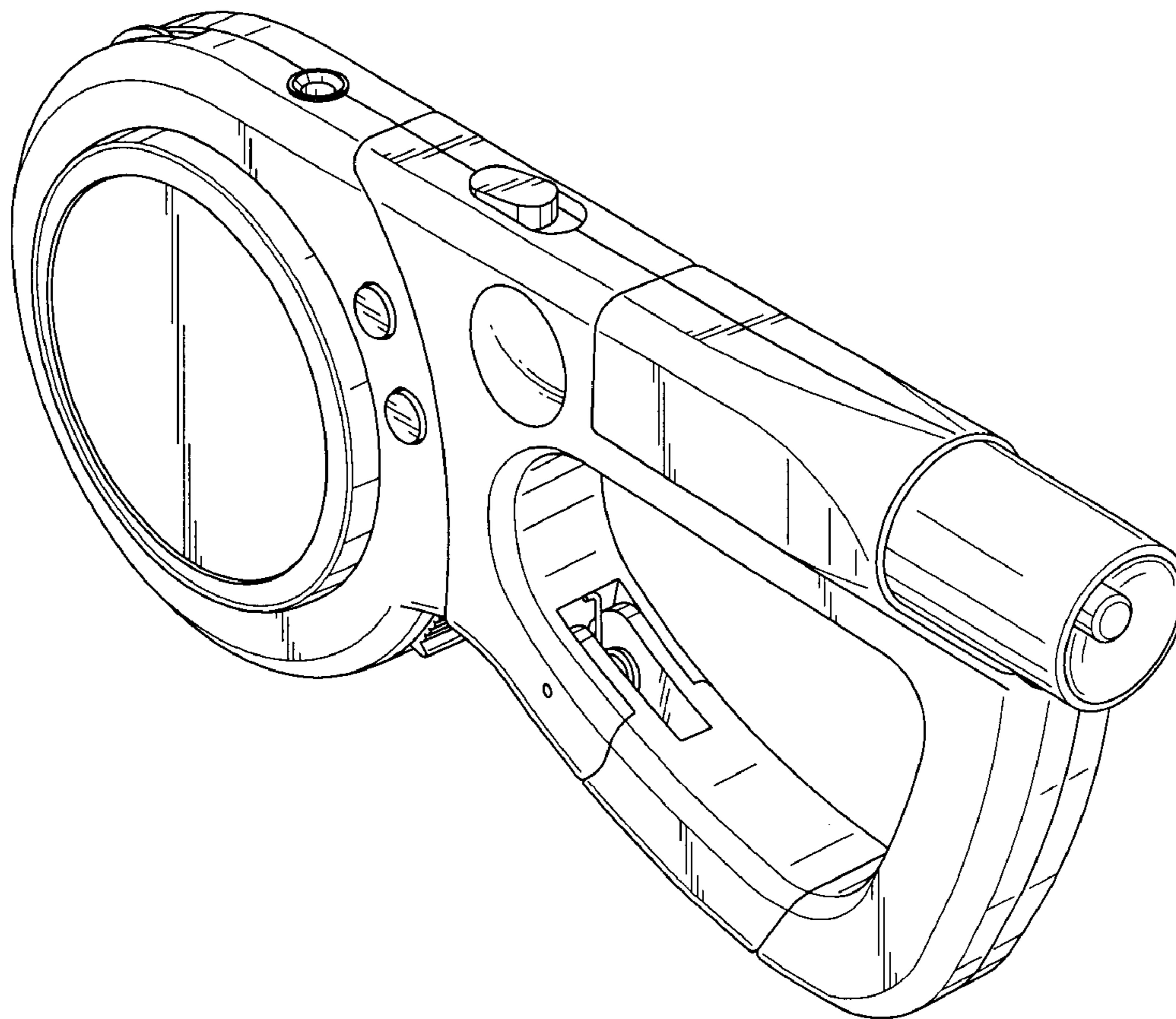
See application file for complete search history.

(56) **References Cited**

U.S. PATENT DOCUMENTS

D471,305 S * 3/2003 Luquire D26/38
D480,492 S * 10/2003 Wu D26/38

1 Claim, 3 Drawing Sheets



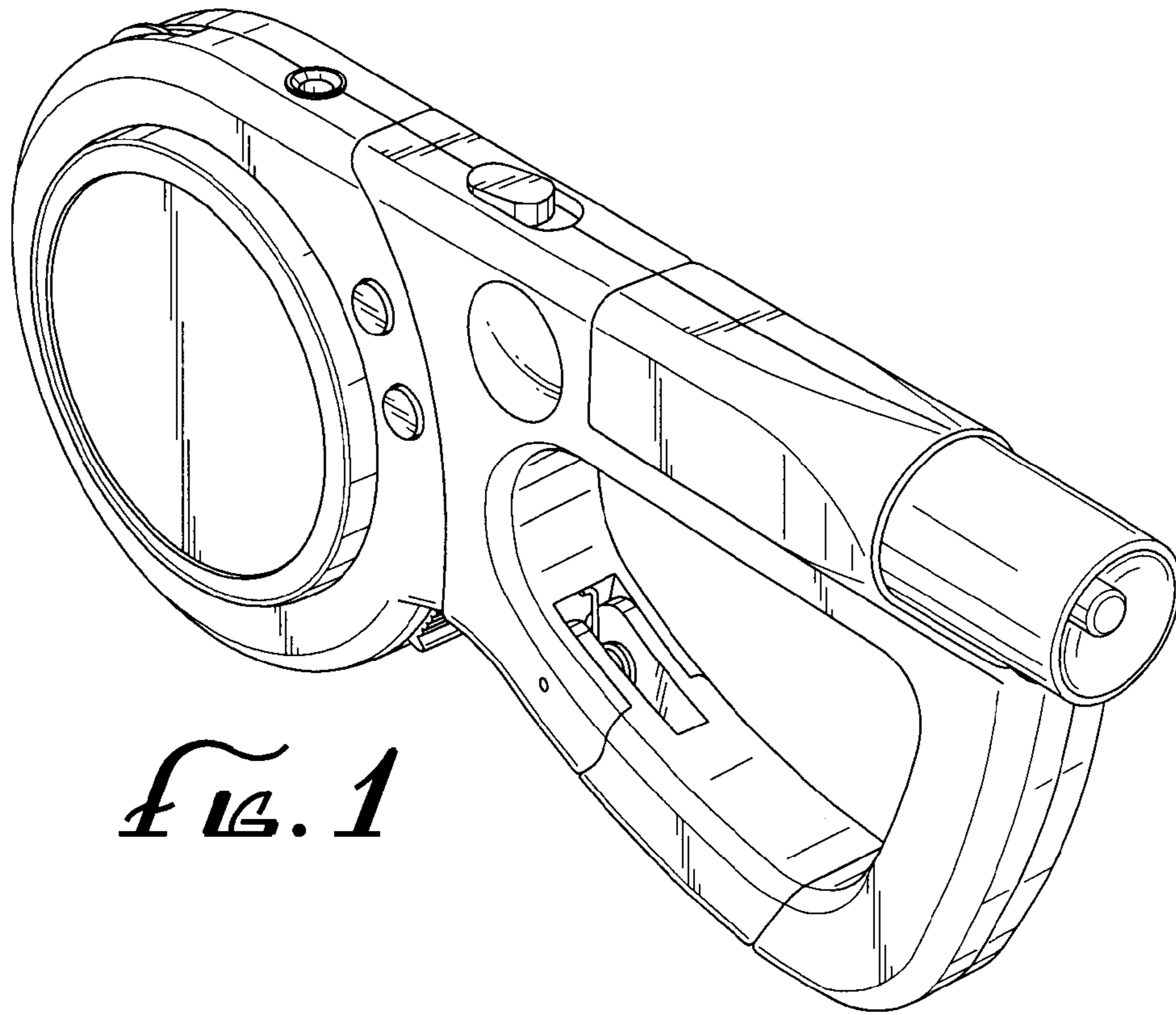


FIG. 1

FIG. 2

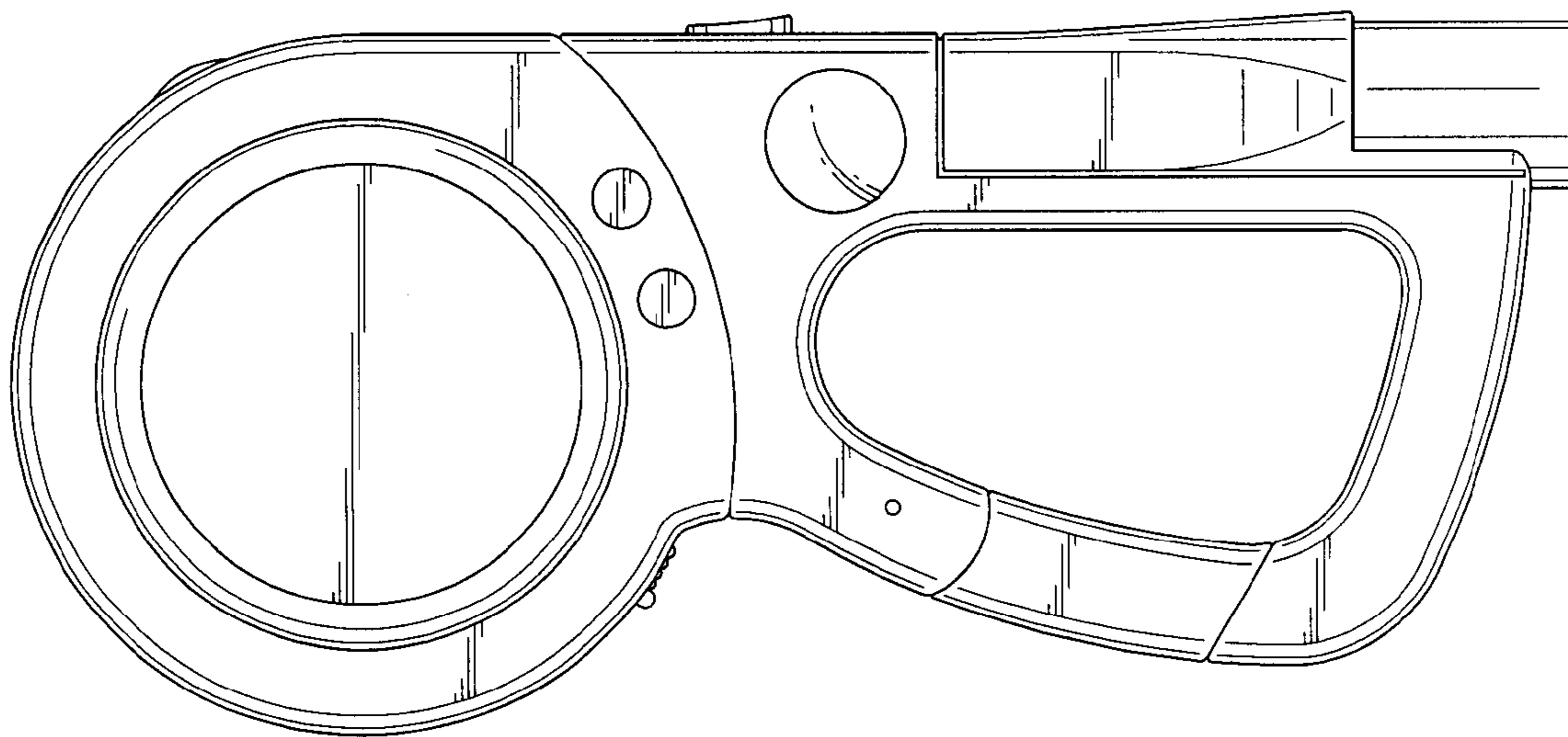


FIG. 3

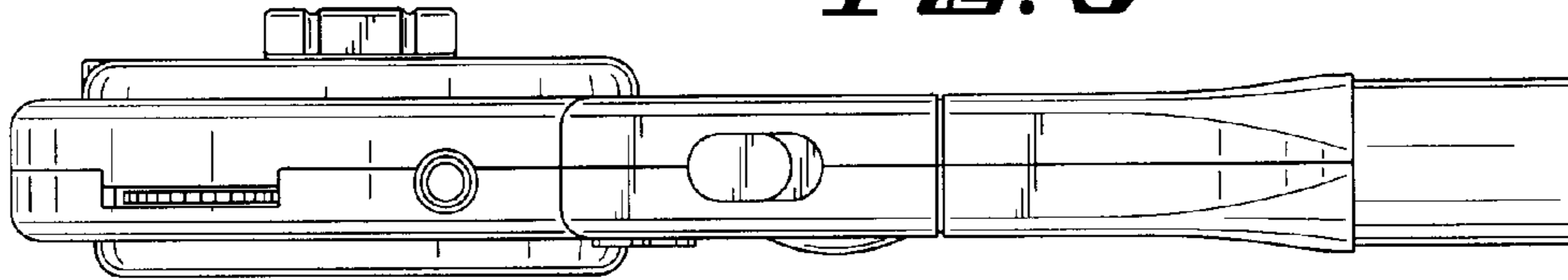


FIG. 4

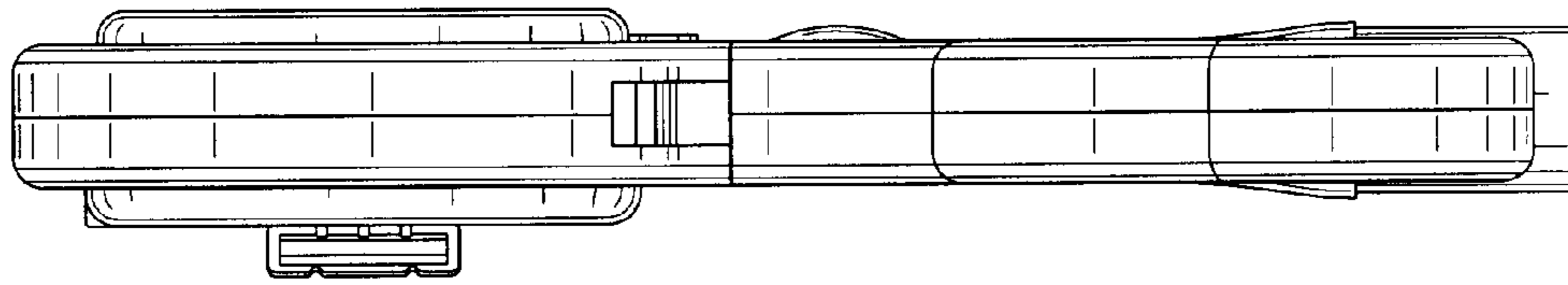
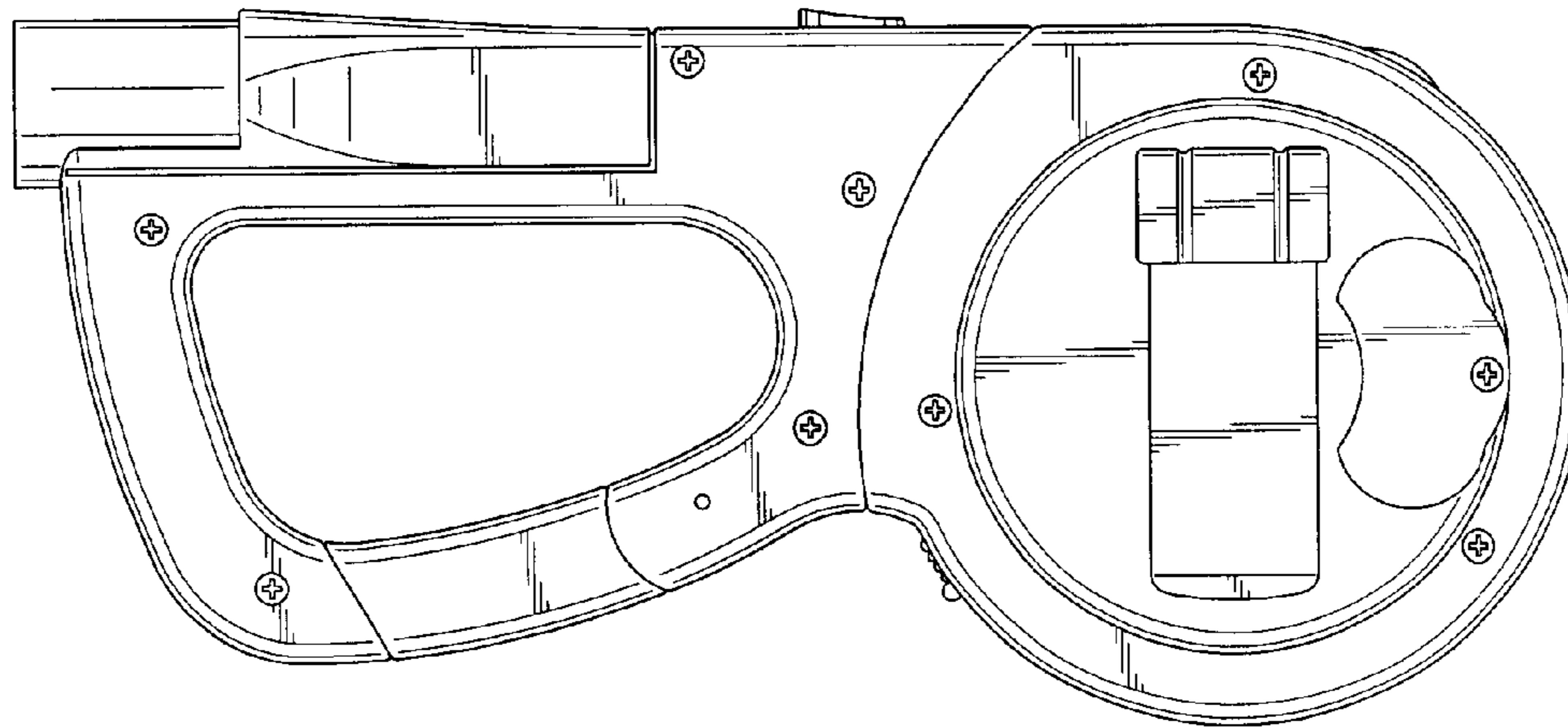


FIG. 5



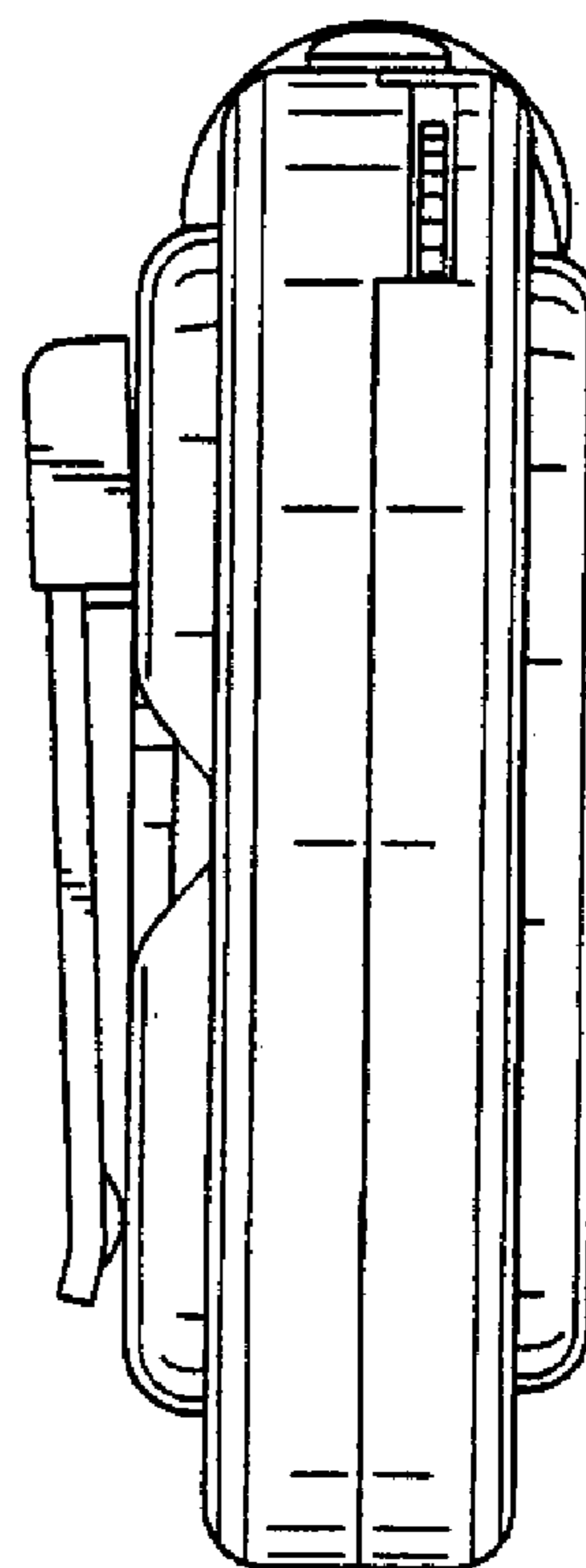
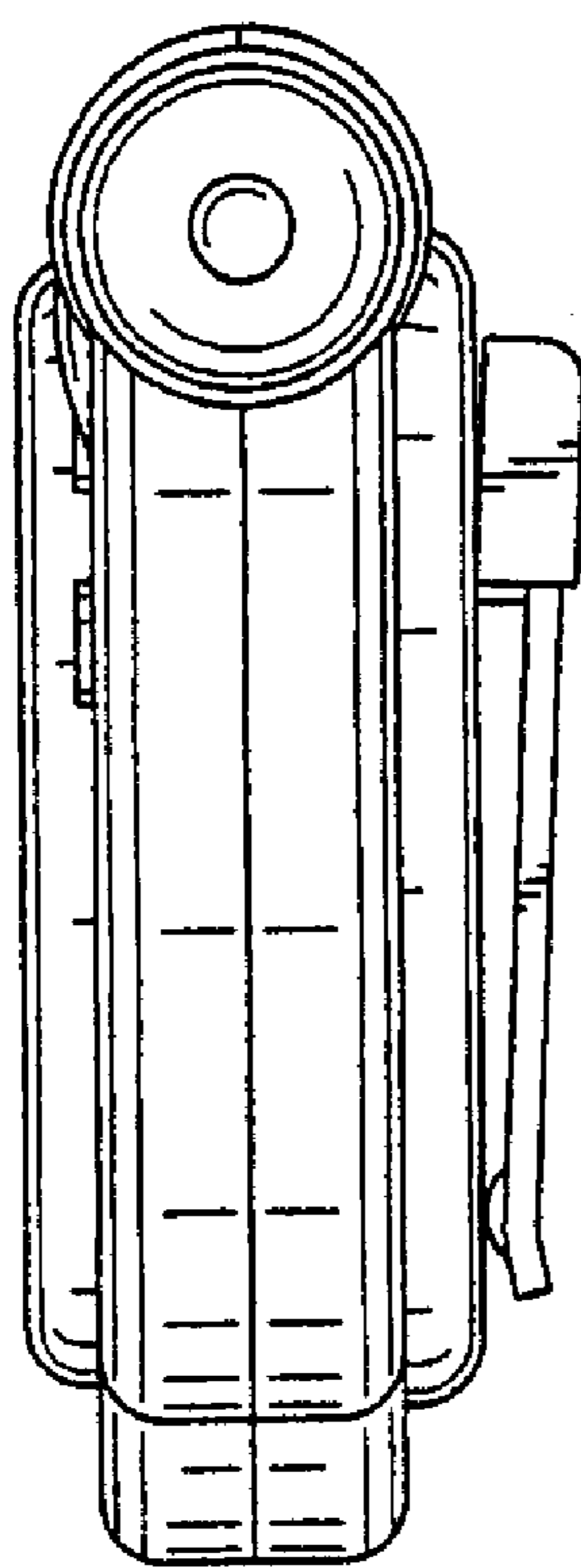


FIG. 6

FIG. 7